

US00D567584S

(12) **United States Design Patent**
Boozer et al.

(10) **Patent No.:** **US D567,584 S**

(45) **Date of Patent:** **** Apr. 29, 2008**

(54) **COVER FOR A CONTAINER**

(75) Inventors: **Richard D. Boozer**, Wakeman, OH
(US); **Robert M. Ulanski**, Broadview
Heights, OH (US)

(73) Assignee: **Vita-Mix Corporation**, Cleveland, OH
(US)

(**) Term: **14 Years**

(21) Appl. No.: **29/292,357**

(22) Filed: **Oct. 11, 2007**

(51) **LOC (8) Cl.** **07-02**

(52) **U.S. Cl.** **D7/413**

(58) **Field of Classification Search** D7/317-319,
D7/391-392, 378, 396.2, 510-511, 550.1,
D7/601, 629; D9/414, 418, 420-425, 428-430,
D9/435, 436, 440-454, 503-504; D3/273,
D3/274; 206/216, 457, 508, 541, 557, 822;
215/200, 211, 224, 243; 220/213, 351-376,
220/601, 669, 674, 675, 700-703; 229/108,
229/114, 116.1, 120.14, 122.27; 426/106,
426/129, 130

See application file for complete search history.

(56) **References Cited**

U.S. PATENT DOCUMENTS

D366,418 S * 1/1996 Lown et al. D9/449
D386,941 S * 12/1997 Barker D7/378

D407,979 S * 4/1999 Zemlo D9/454
D412,809 S * 8/1999 Toro et al. D7/378
D495,925 S * 9/2004 Ulanski et al. D7/412
D500,444 S * 1/2005 Drake et al. D9/503
D520,873 S * 5/2006 Lovell D9/449
D526,839 S * 8/2006 Boozer et al. D7/392
D527,575 S * 9/2006 Ulanski et al. D7/392
D554,938 S * 11/2007 Garman et al. D7/378

* cited by examiner

Primary Examiner—Mimosa De

Assistant Examiner—Ricky Pham

(74) *Attorney, Agent, or Firm*—Renner, Kenner, Greive,
Bobak, Taylor & Weber

(57) **CLAIM**

The ornamental design for a cover for a container, as shown
and described.

DESCRIPTION

FIG. 1 is a top, front, right side perspective view of a cover
for a container showing our new design;

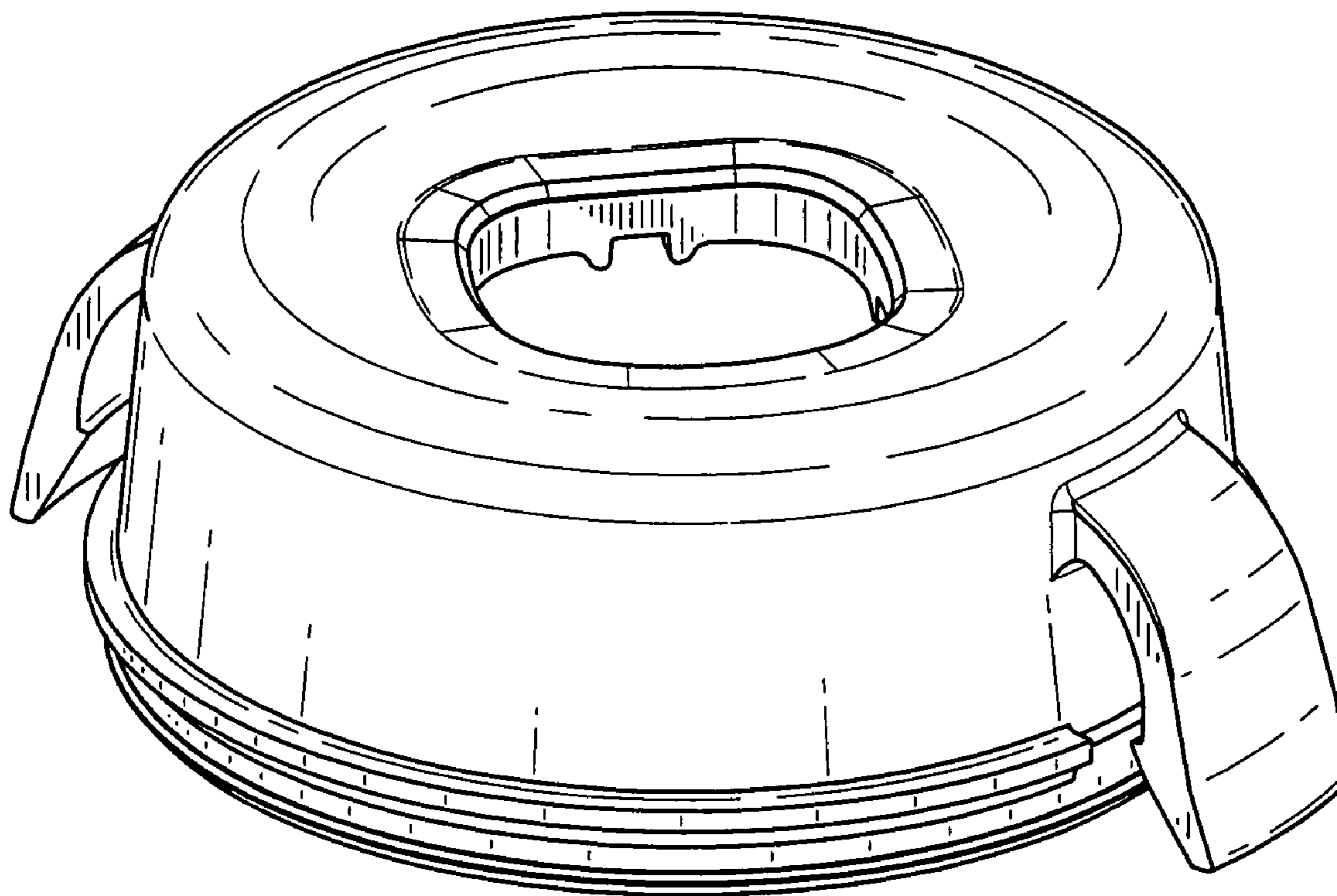
FIG. 2 is a top plan view thereof;

FIG. 3 is a left side elevational view thereof, the right side
elevational view being a mirror image thereof;

FIG. 4 is a rear elevational view thereof, the front elevational
view being a mirror image thereof; and,

FIG. 5 is a bottom plan view thereof.

1 Claim, 3 Drawing Sheets



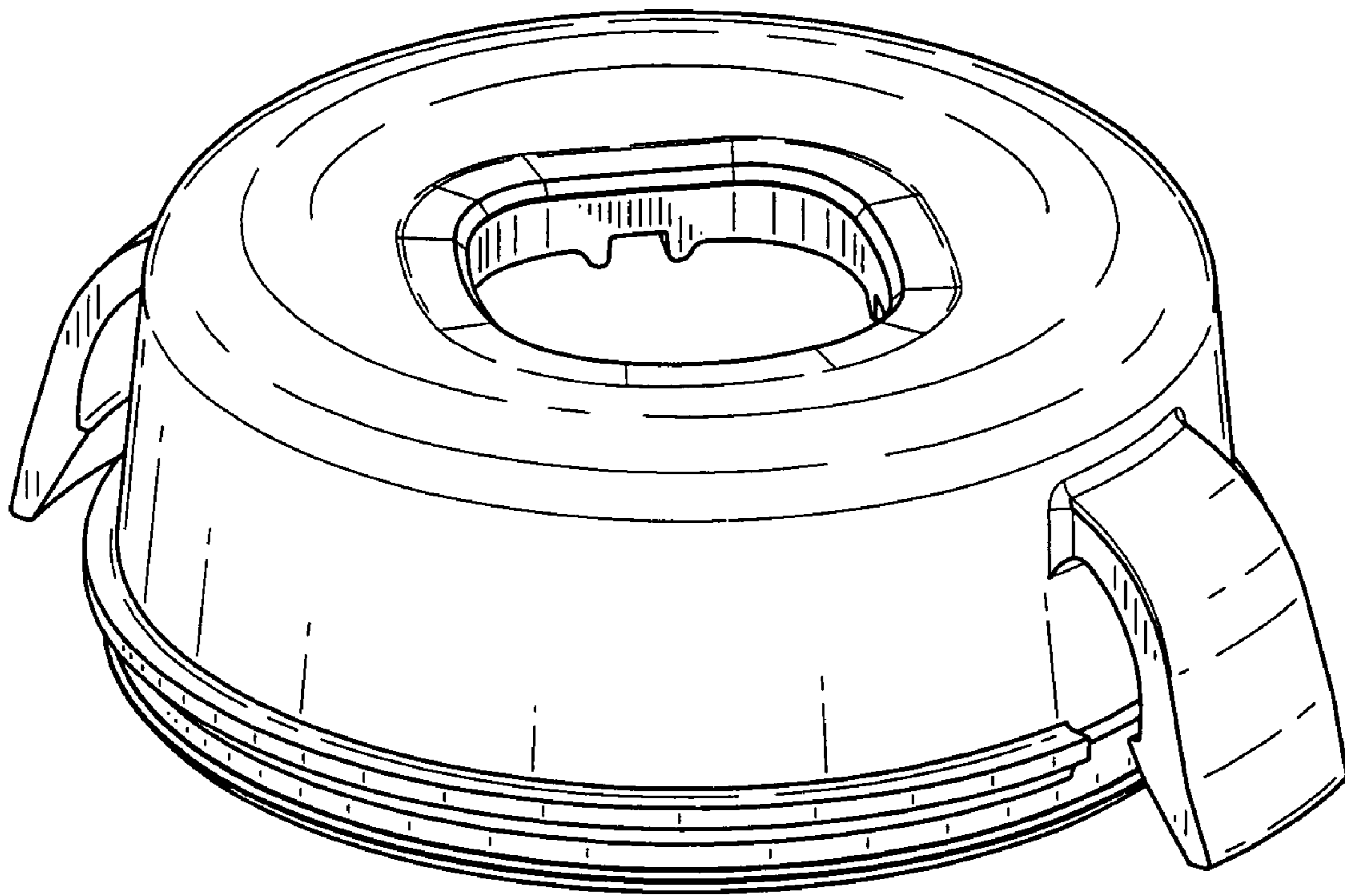


FIG-1

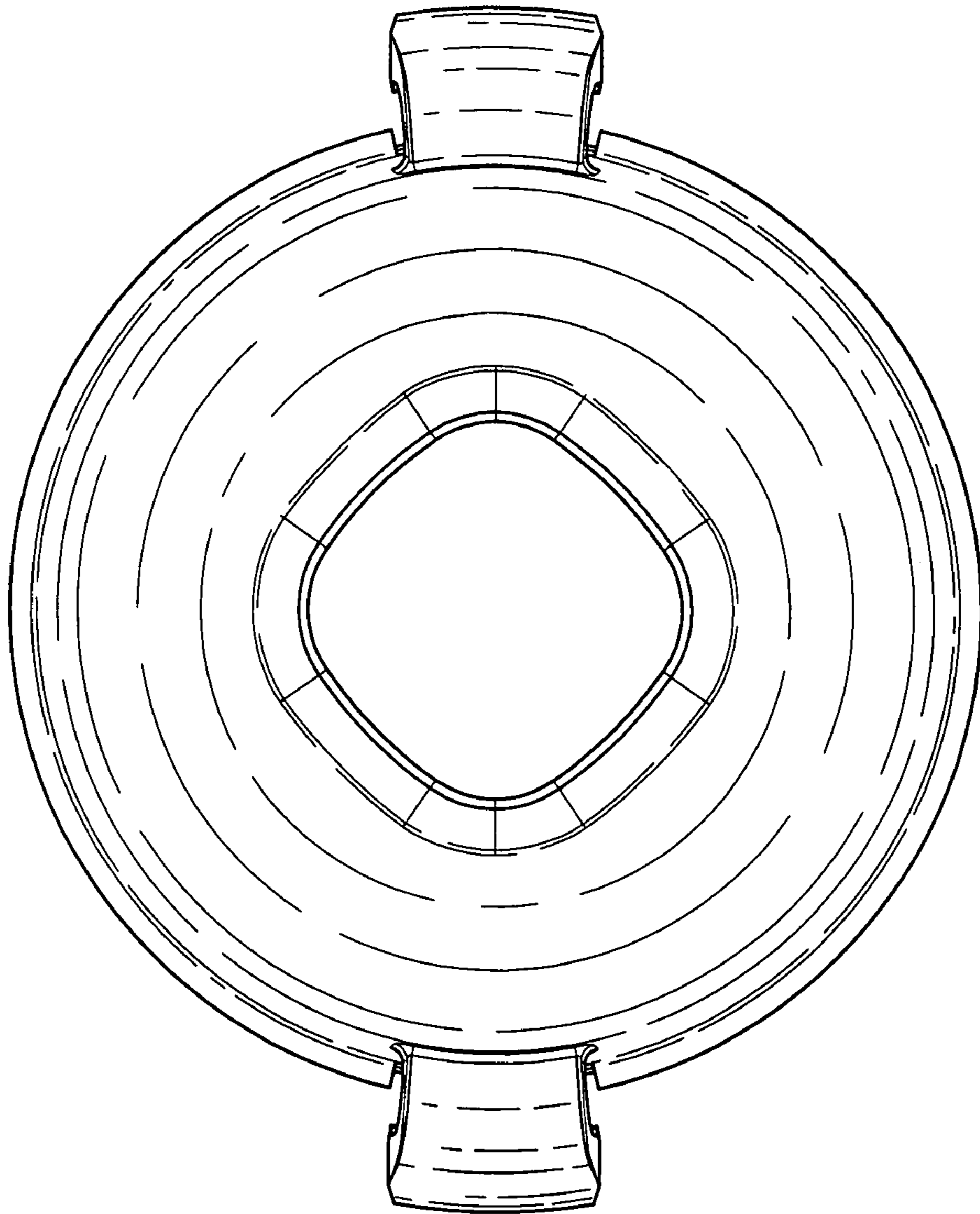


FIG-2

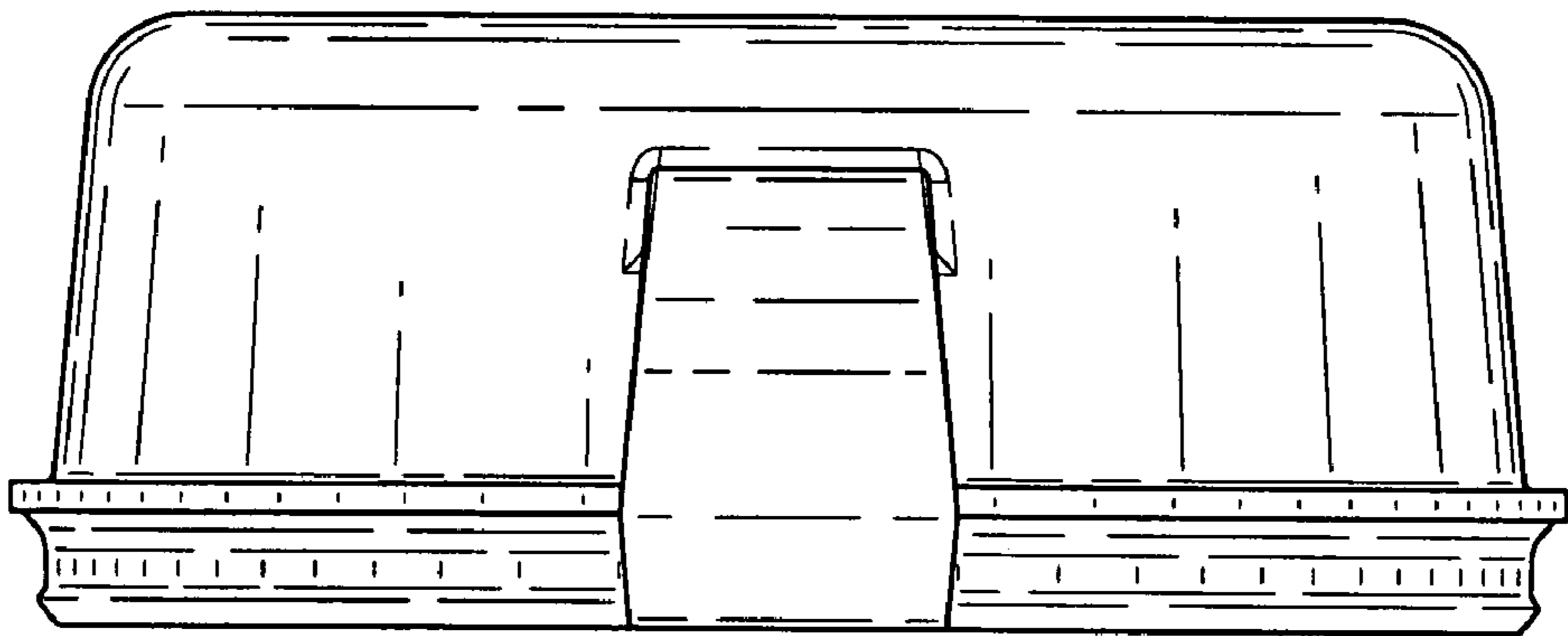


FIG-3

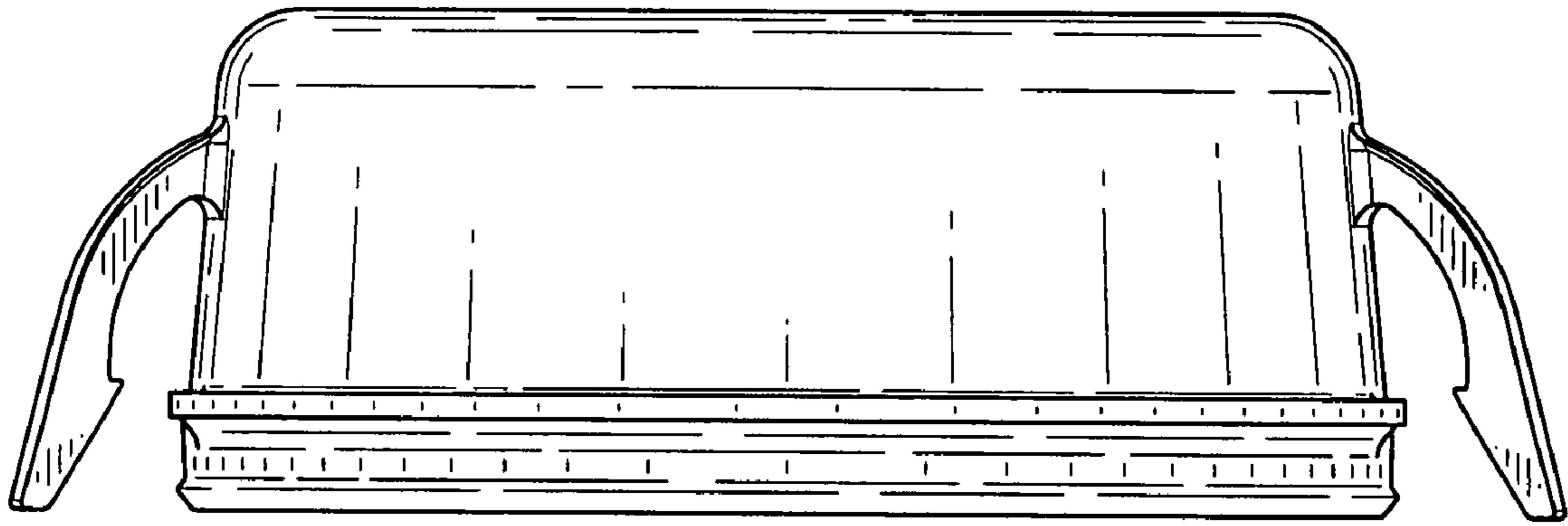


FIG-4

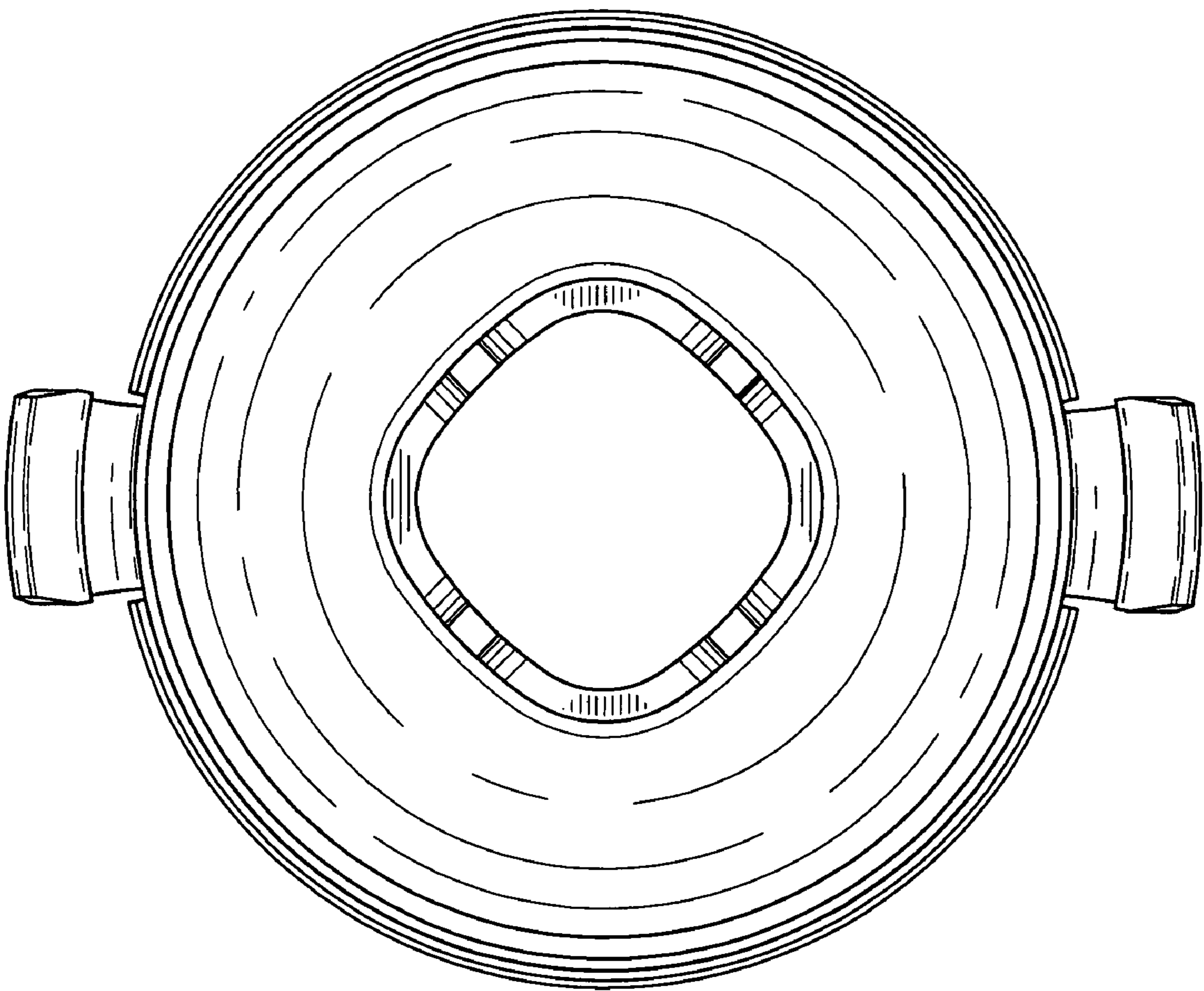


FIG-5