



US00D567583S

(12) **United States Design Patent** (10) **Patent No.:** **US D567,583 S**
Klotz et al. (45) **Date of Patent:** **** Apr. 29, 2008**

(54) **FOOD HOLDER HAVING A SHAFT ELEMENT WITH A REMOVABLE FOOD PUSHER FOR A DEVICE FOR MINCING FOOD**

(75) Inventors: **Markus Klotz**, Hainau (DE); **Benjamin Schramm**, Holzheim (DE); **Christian Gross**, Netphen (DE); **Stephan Gerster**, Bad Breisig (DE)

(73) Assignee: **Leifheit AG**, Nassau/Lahn (DE)

(**) Term: **14 Years**

(21) Appl. No.: **29/252,919**

(22) Filed: **Jan. 30, 2006**

(30) **Foreign Application Priority Data**

Aug. 4, 2005 (DE) 4 05 04 069

(51) **LOC (8) Cl.** **07-02**

(52) **U.S. Cl.** **D7/412**

(58) **Field of Classification Search** D7/381, D7/412, 672-678, 693-695; 30/247, 278, 30/279.6, 280; 83/247, 425.3, 431, 435.15, 83/436.2, 437.7, 441.1, 689.11, 697, 717, 83/858, 874, 954; 241/95, 168-169, 273.1-273.4, 241/274, 285.2

See application file for complete search history.

(56) **References Cited**

U.S. PATENT DOCUMENTS

1,296,091 A	3/1919	Kriebel	
2,807,302 A	9/1957	Qualheim	
3,583,454 A *	6/1971	Borner	241/95
4,038,892 A *	8/1977	Popeil	83/874
D249,044 S *	8/1978	Popeil	D7/673
4,546,684 A	10/1985	Bellerose	
5,308,002 A	5/1994	Pereira	
D354,886 S *	1/1995	Diefenbach	D7/678
D393,576 S *	4/1998	Wong	D7/678
D393,986 S *	5/1998	Joergensen	D7/678
5,745,999 A *	5/1998	Zirkiev	30/278

6,082,645 A	7/2000	Himmighofen et al.	
D446,691 S *	8/2001	Wong	D7/673
D447,019 S *	8/2001	Wong	D7/673
6,412,717 B1	7/2002	Menelaou et al.	
D495,218 S *	8/2004	Yu	D7/673
D503,314 S *	3/2005	Wong	D7/673
7,107,890 B2 *	9/2006	Vincent	83/247
D535,162 S *	1/2007	De Buyer	D7/673
2006/0157599 A1	7/2006	Klotz et al.	
2006/0231652 A1	10/2006	Menze	
2006/0261196 A1	11/2006	Klotz et al.	

FOREIGN PATENT DOCUMENTS

DE	663782	8/1938
DE	844651	7/1952
DE	2816929	10/1979
DE	2857743	12/1982
DE	9201765	4/1992
DE	10305969	8/2004
EP	0965418	12/1999
FR	597349	11/1925
GB	2032260	5/1980
GB	1599694	10/1981
GB	2313771	12/1997

OTHER PUBLICATIONS

International Search Report for International No. PCT/EP2005/003567 mailed on Sep. 1, 2005.

* cited by examiner

Primary Examiner—Mimosa De
Assistant Examiner—Ricky Pham
(74) *Attorney, Agent, or Firm*—Darby & Darby

(57) **CLAIM**

The ornamental design for a food holder having a shaft element with a removable food pusher for a device for mincing food, as shown and described.

DESCRIPTION

FIG. 1 is a top perspective view of a food holder having a shaft element with a removable food pusher for a device for mincing food showing our new design;

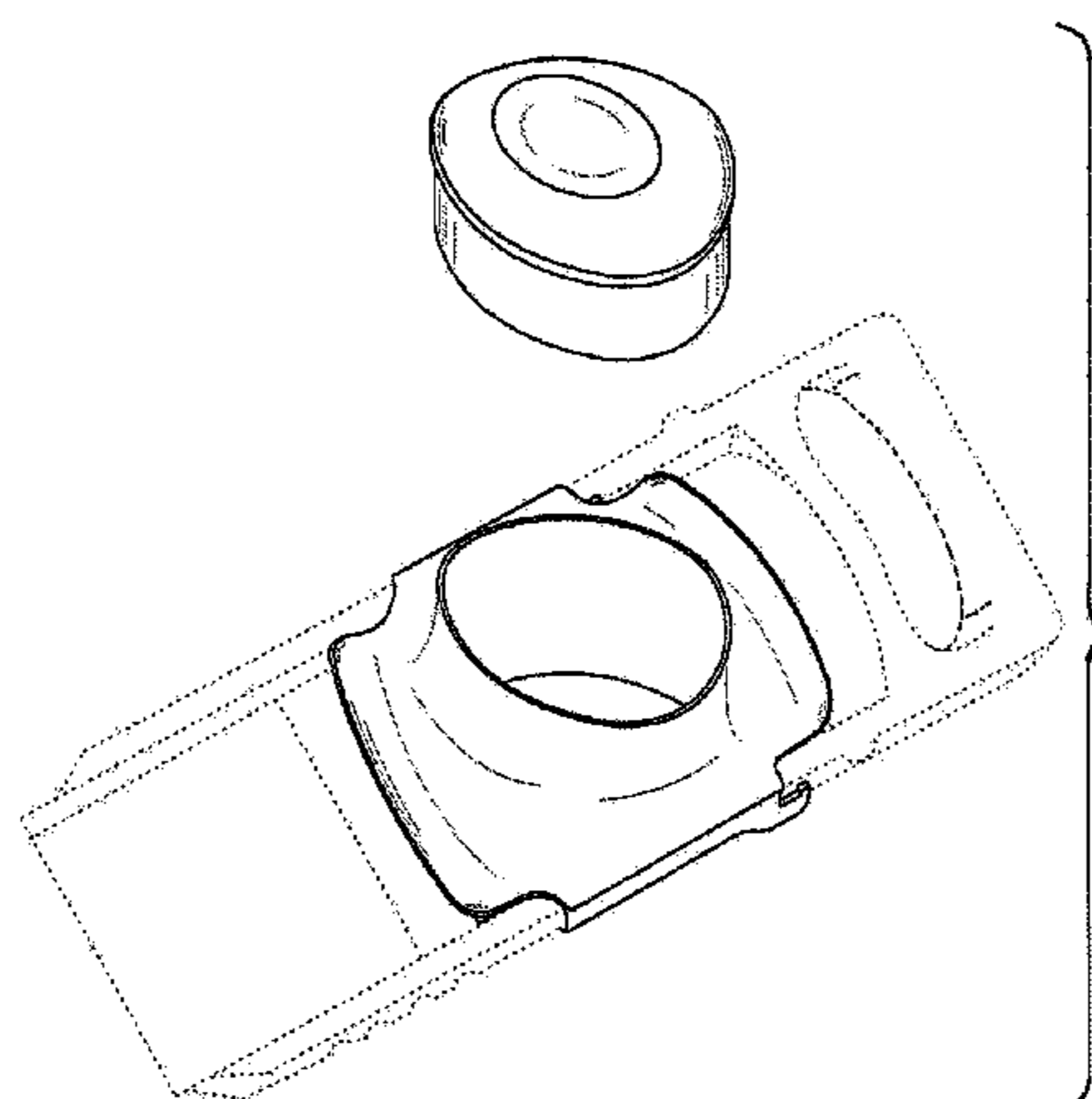


FIG. 2 is a top perspective exploded view thereof; shown with the removable food pusher removed from the shaft element for completeness of illustration;

FIG. 3 is a top perspective view thereof; shown with the removable food pusher inserted in the shaft element;

FIG. 4 is a top plan view of FIG. 3;

FIG. 5 is a left side elevational view of FIG. 3;

FIG. 6 is a front al elevational view of FIG. 3;

FIG. 7 is a back elevational view of FIG. 3;

FIG. 8 is a right side elevational view of FIG. 3;

FIG. 9 is a bottom plan view of FIG. 3;

FIG. 10 is a top plan view thereof; showing the shaft element with the removable food pusher removed for completeness of illustration;

FIG. 11 is a top perspective view thereof; showing the removable food pusher removed from the shaft element for completeness of illustration;

FIG. 12 is a top plan view of FIG. 11;

FIG. 13 is a front elevational view of FIG. 11;

FIG. 14 is a left side elevational view of FIG. 11;

FIG. 15 is a right side elevational view of FIG. 11;

FIG. 16 is a back elevational view of FIG. 11; and,

FIG. 17 is a bottom plan view of FIG. 11.

In FIGS. 1 and 2, the broken lines showing a device for mincing food are for illustrative purposes only and form no part of the claimed design.

1 Claim, 11 Drawing Sheets

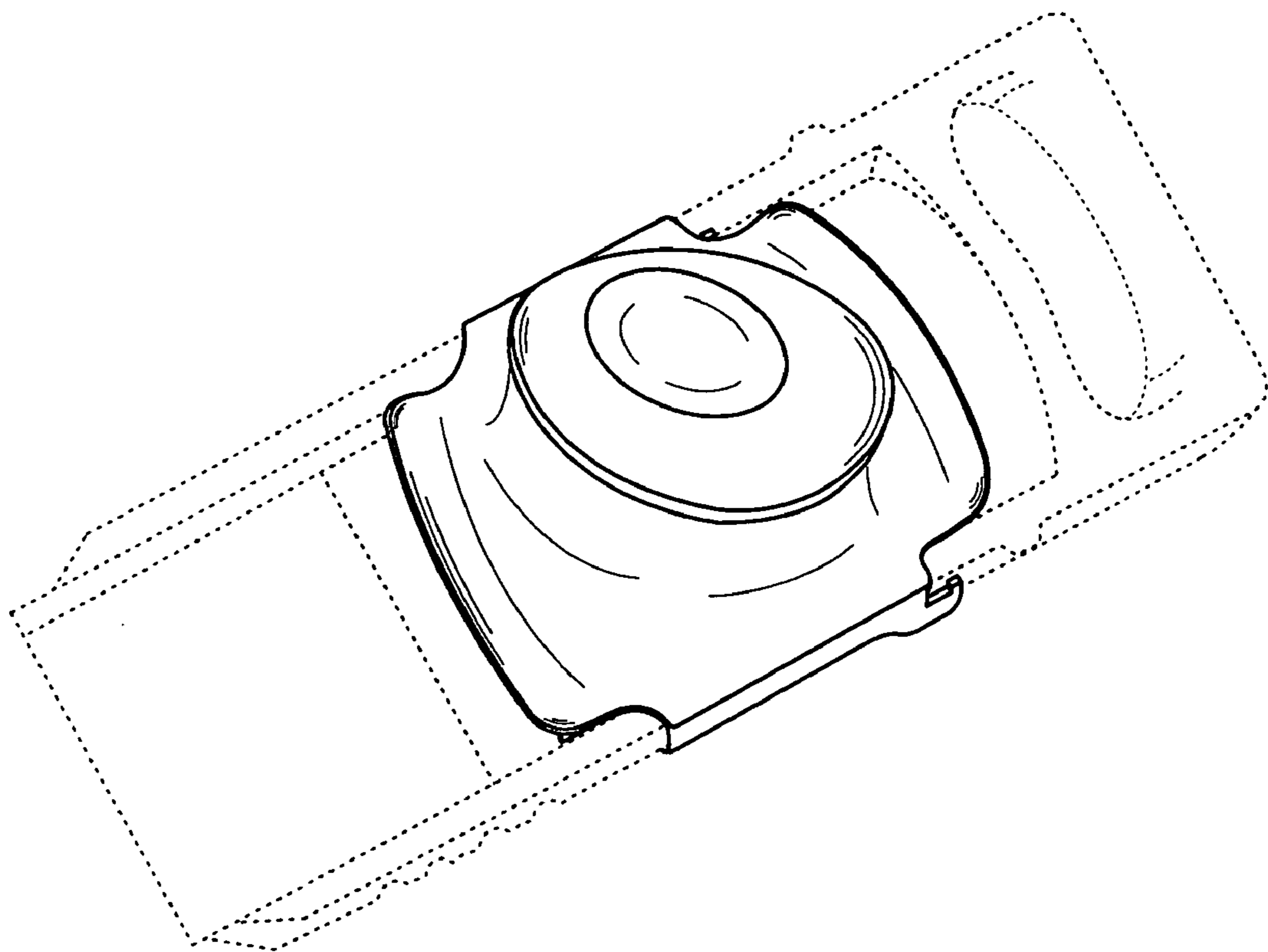


FIG. 1

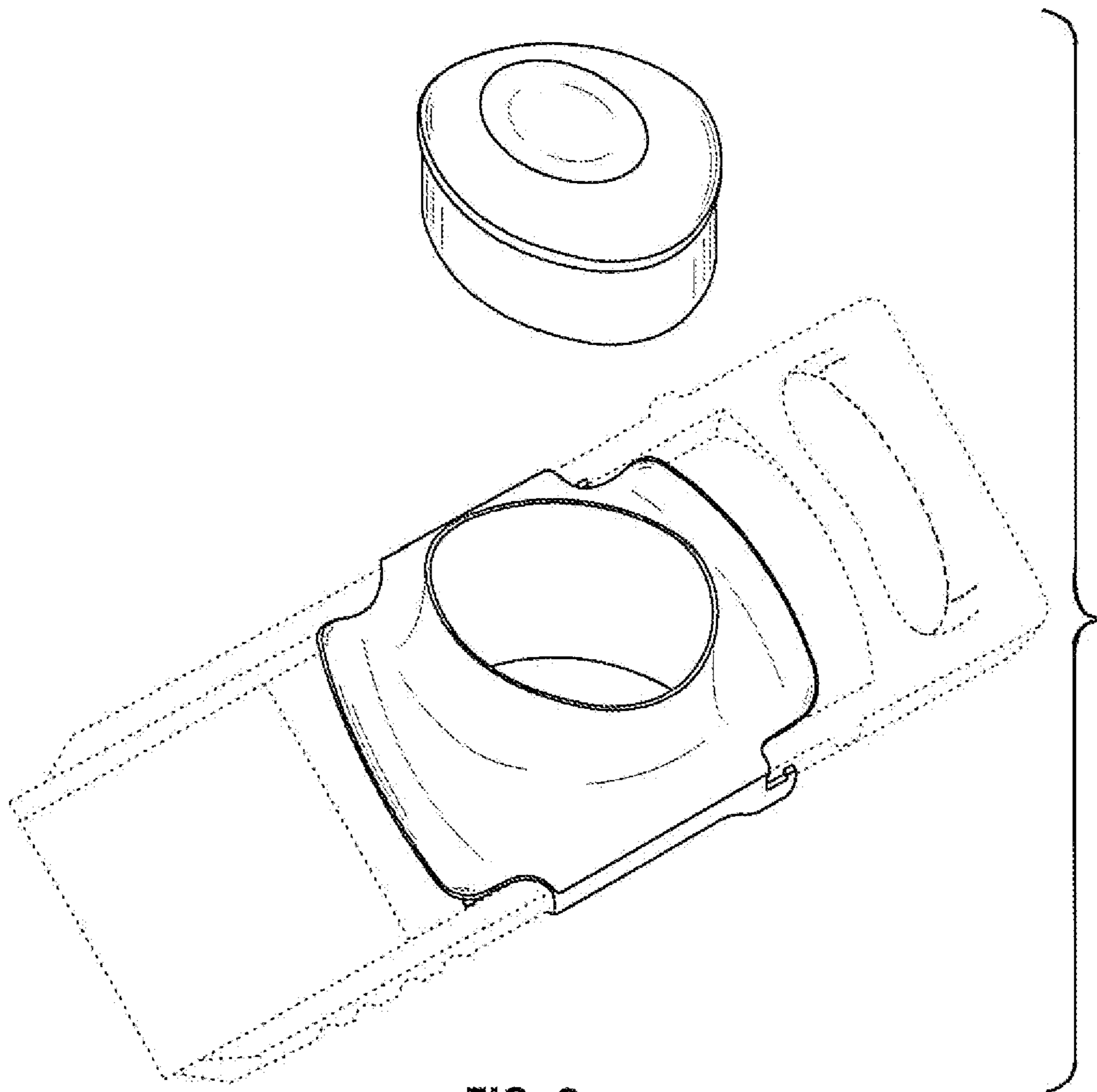


FIG. 2

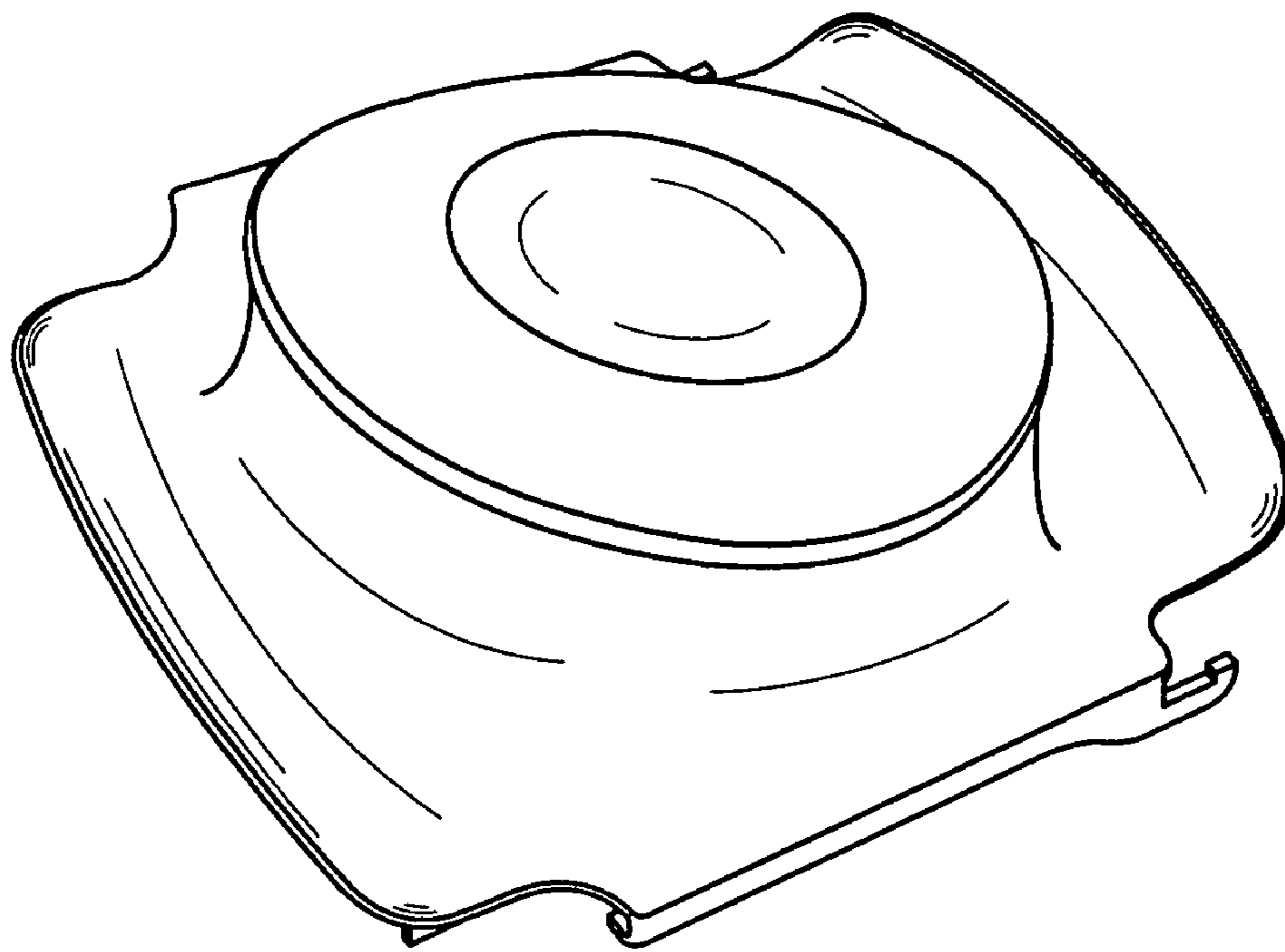


FIG. 3

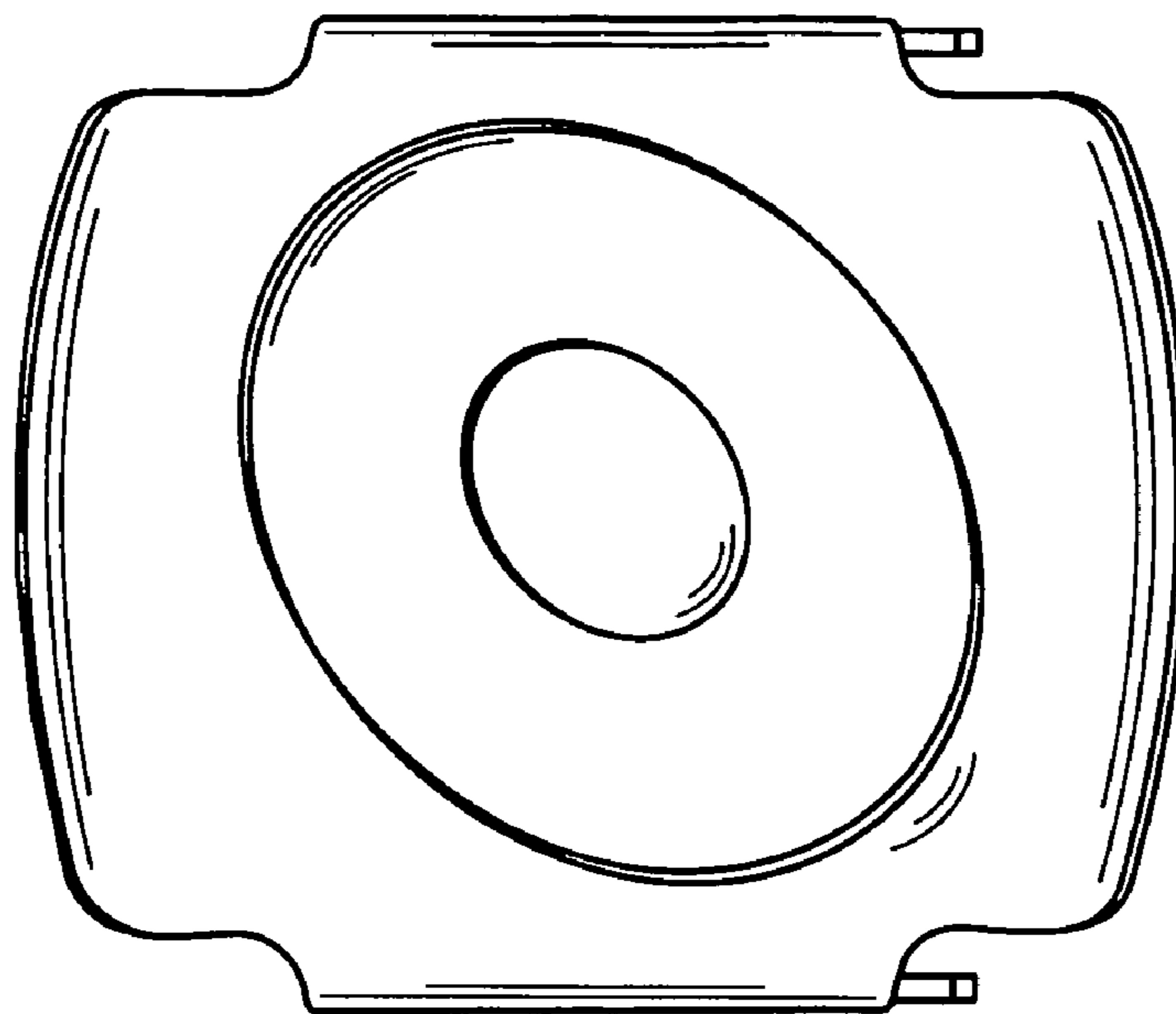


FIG. 4

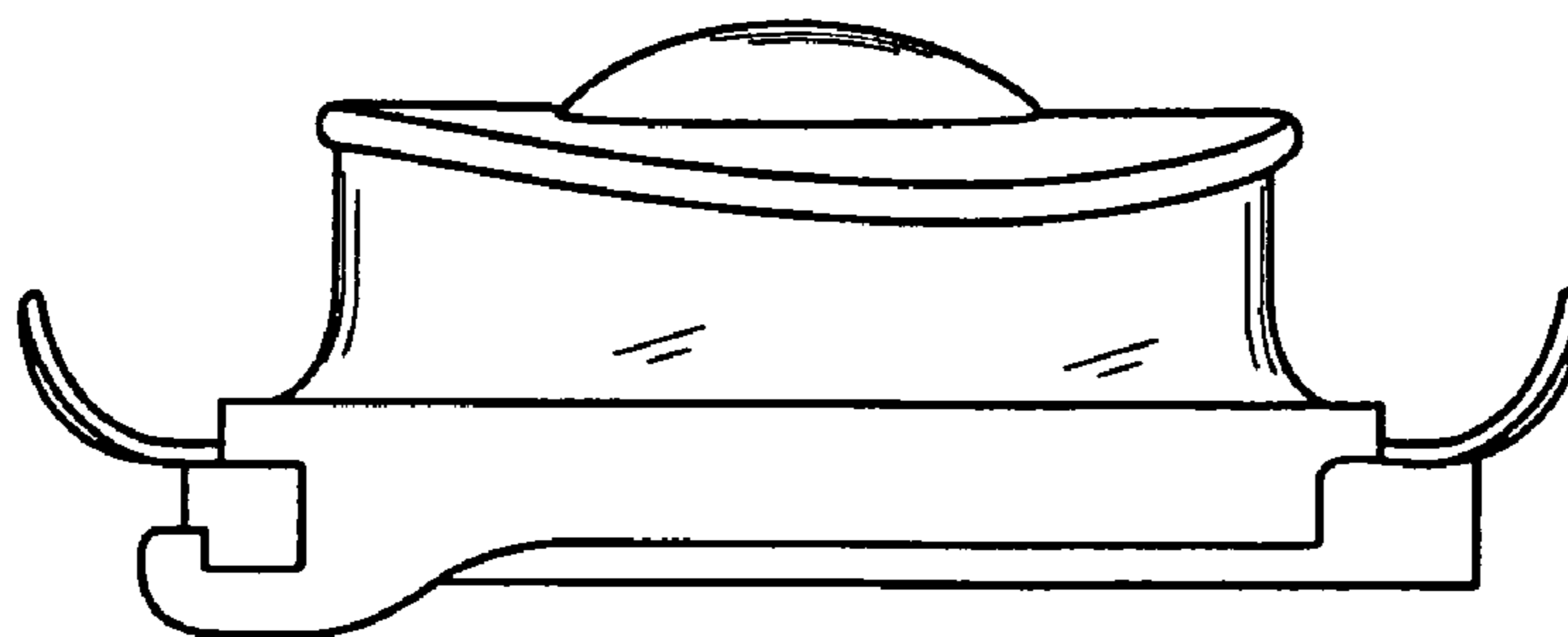


FIG. 5

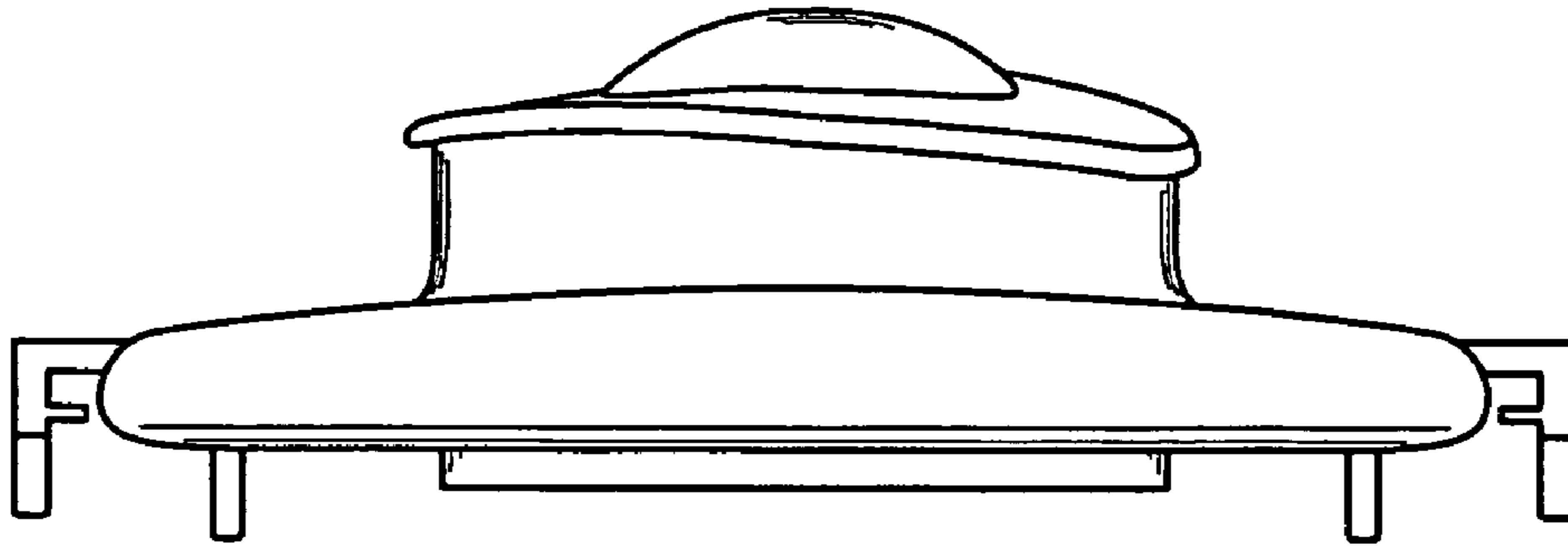


FIG. 6

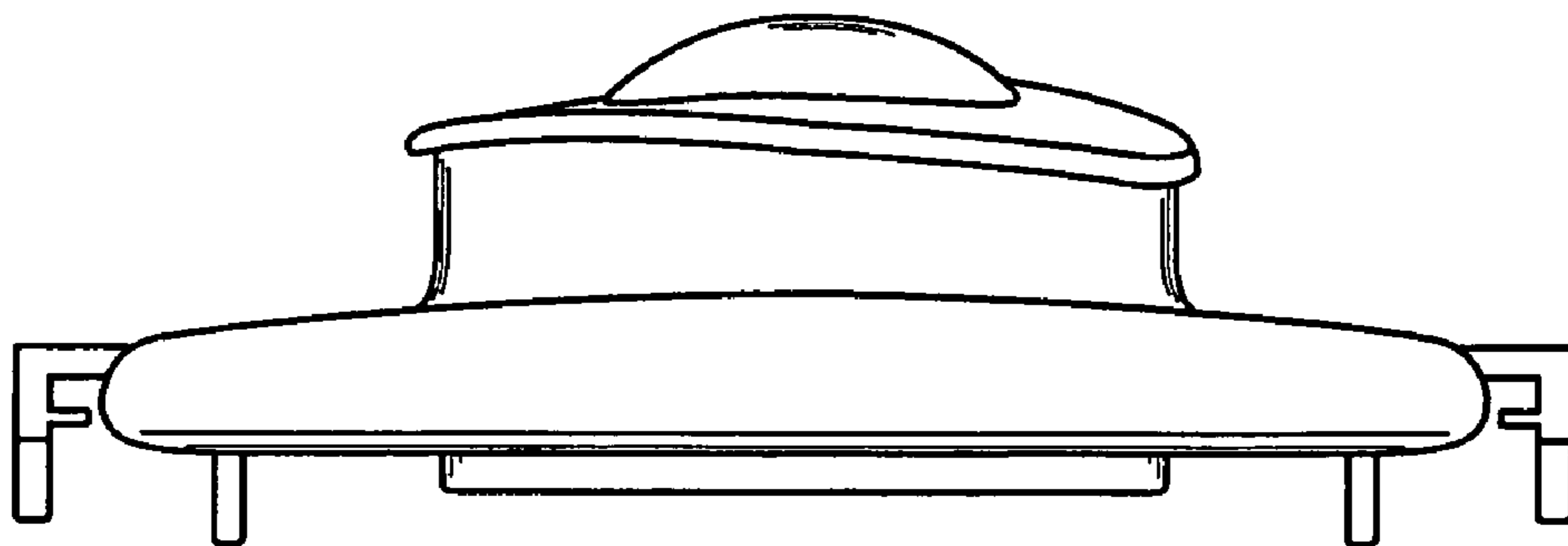


FIG. 7

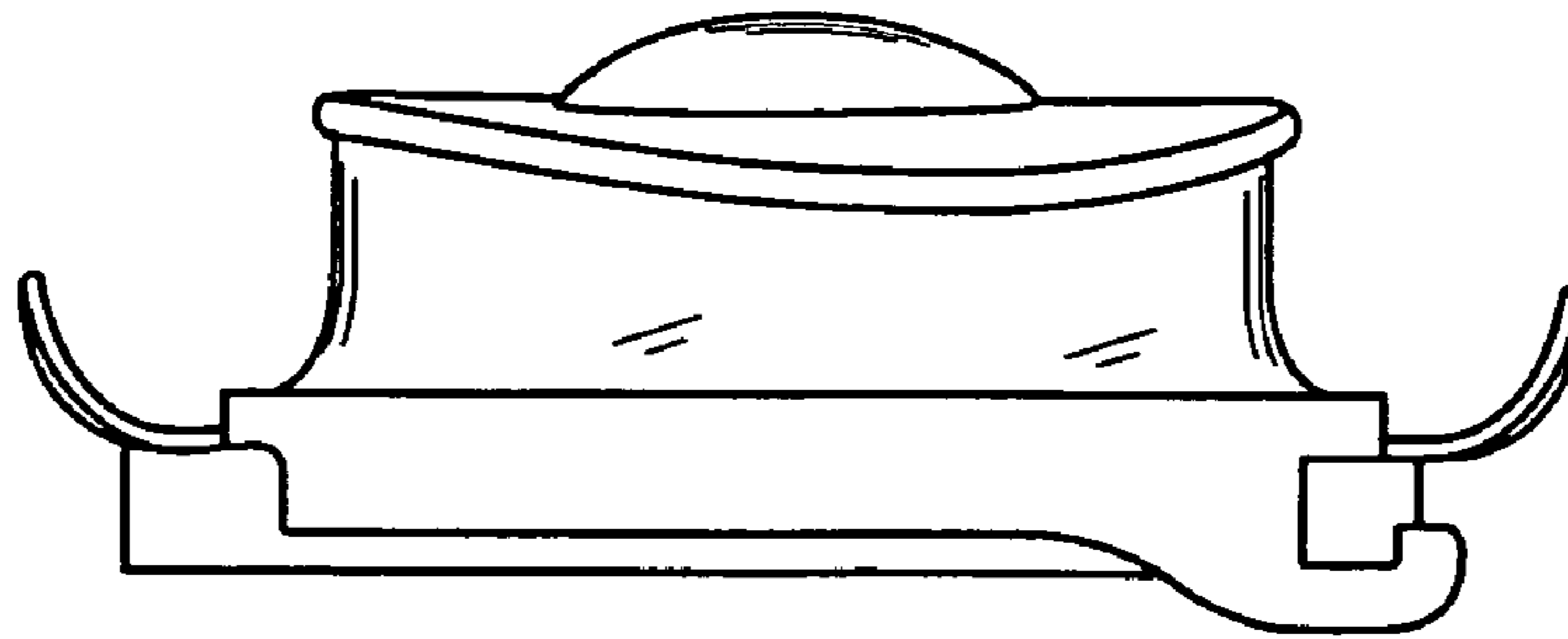


FIG. 8

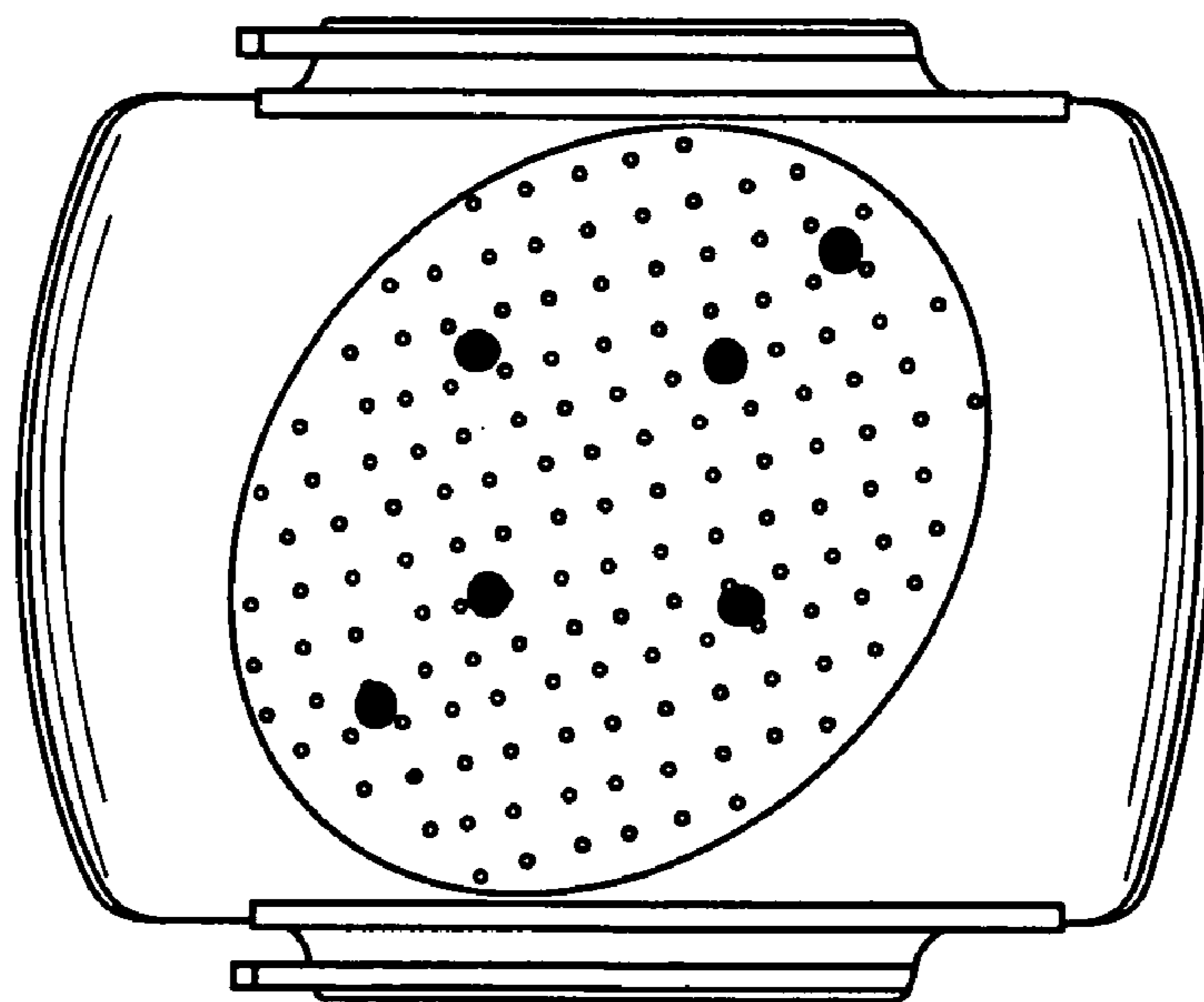


FIG. 9

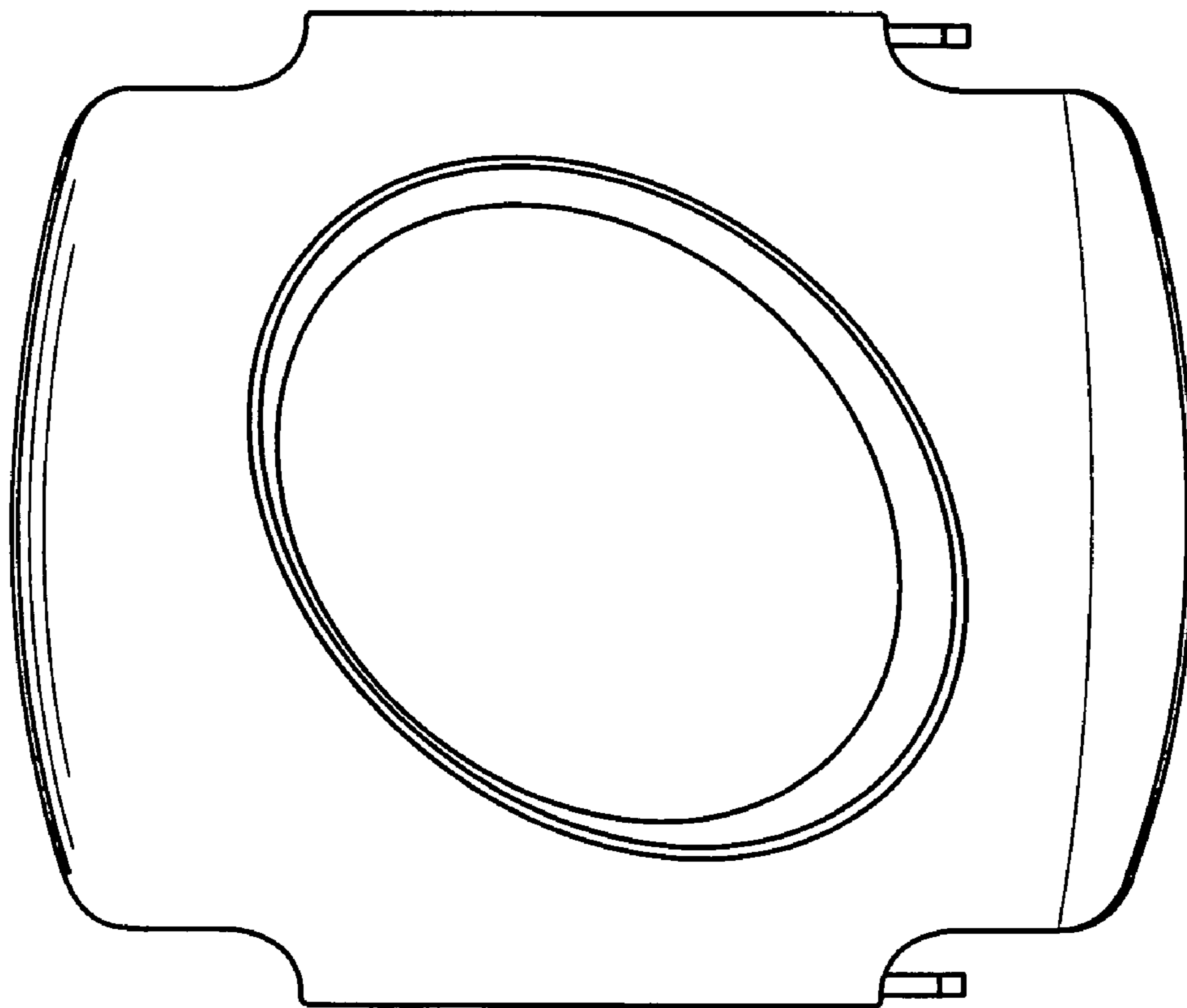


FIG. 10

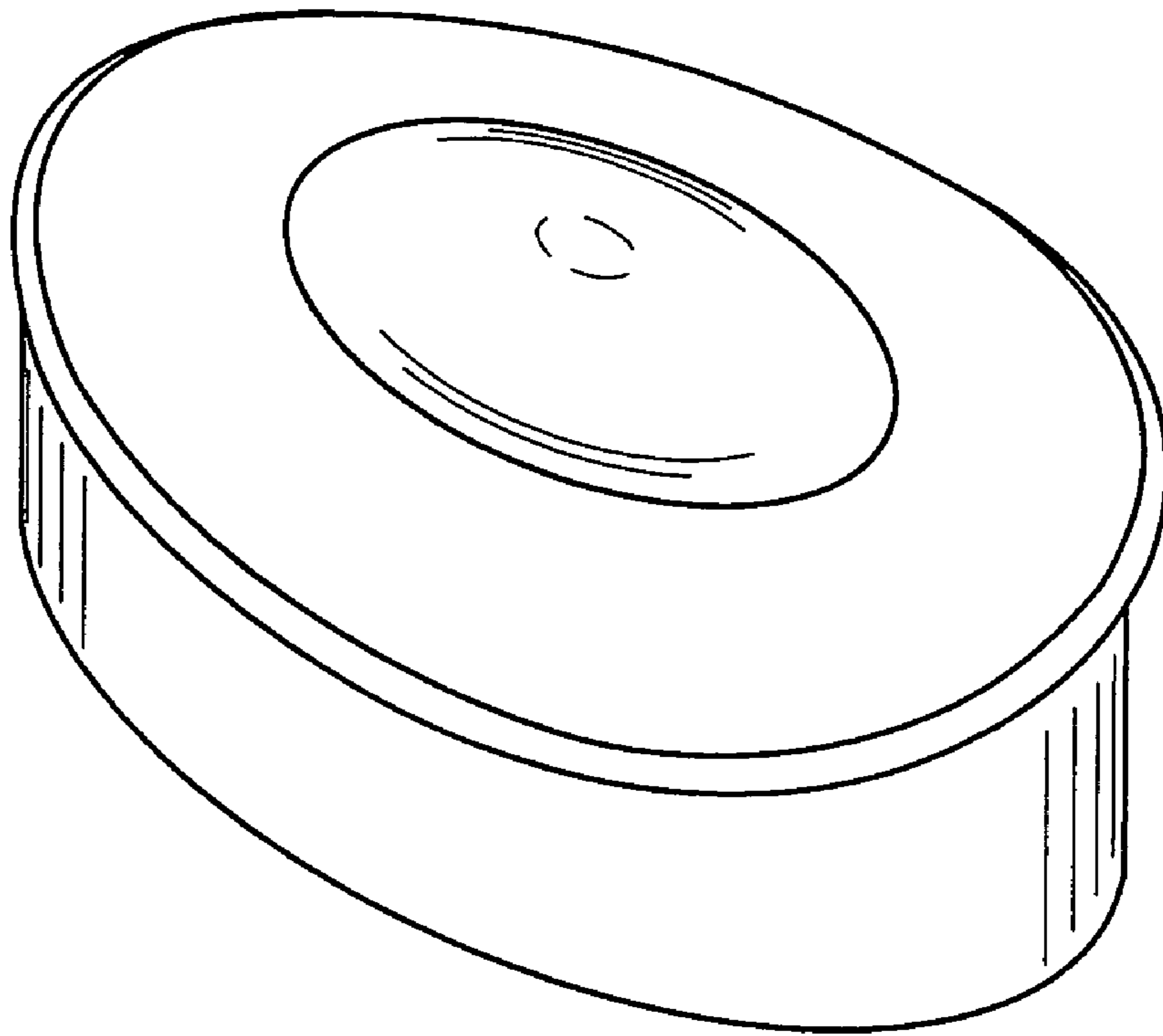


FIG. 11

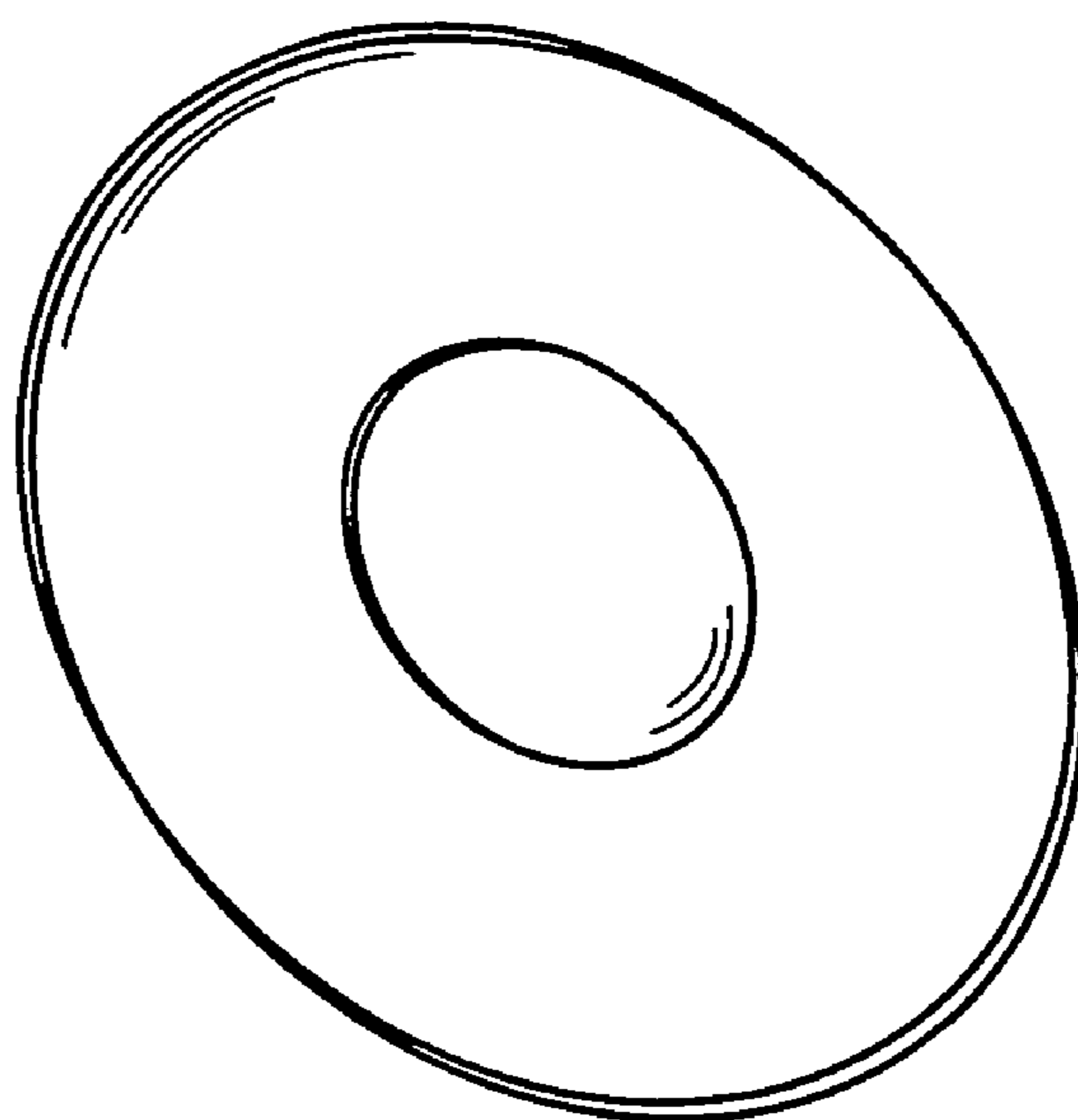


FIG. 12

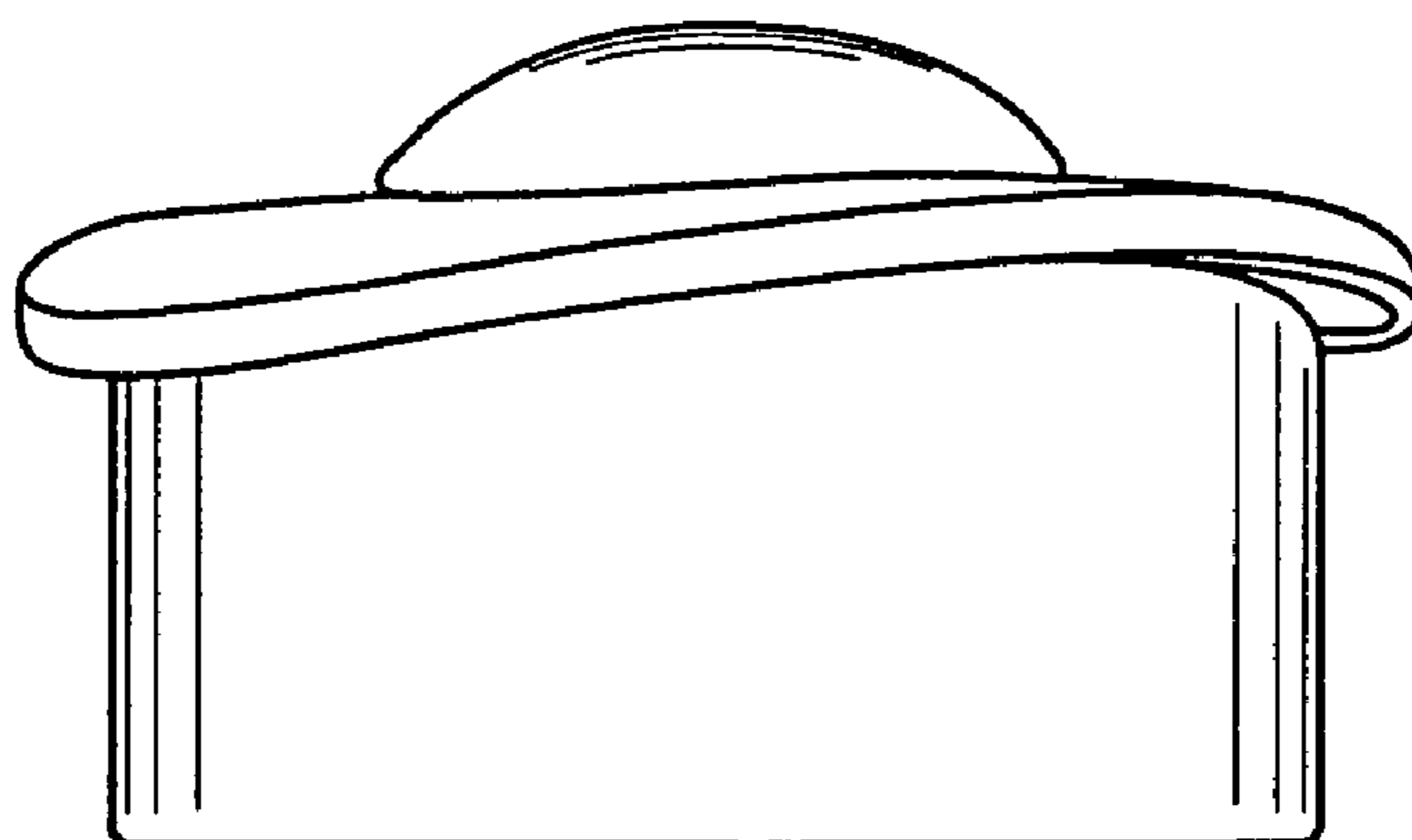


FIG. 13

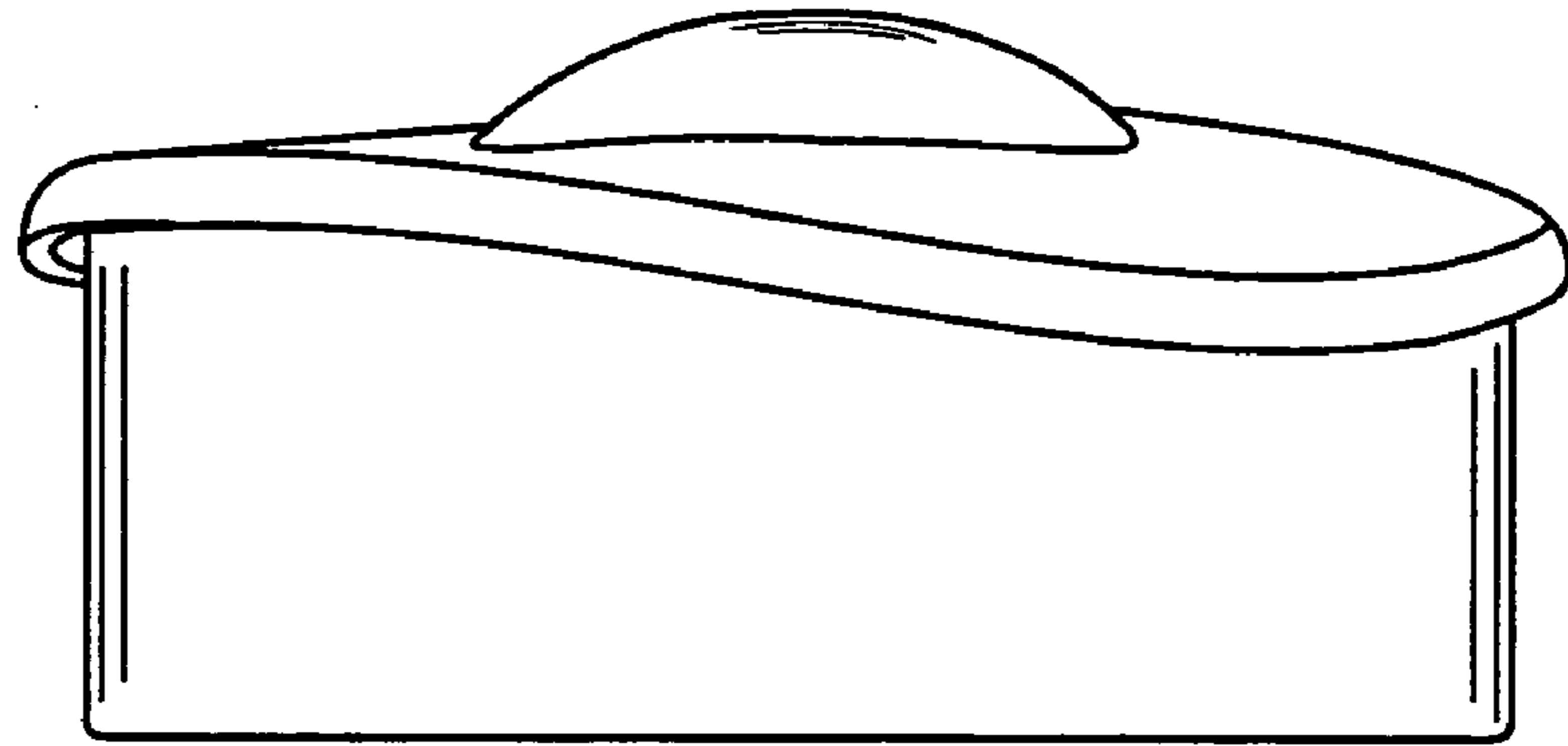


FIG. 14

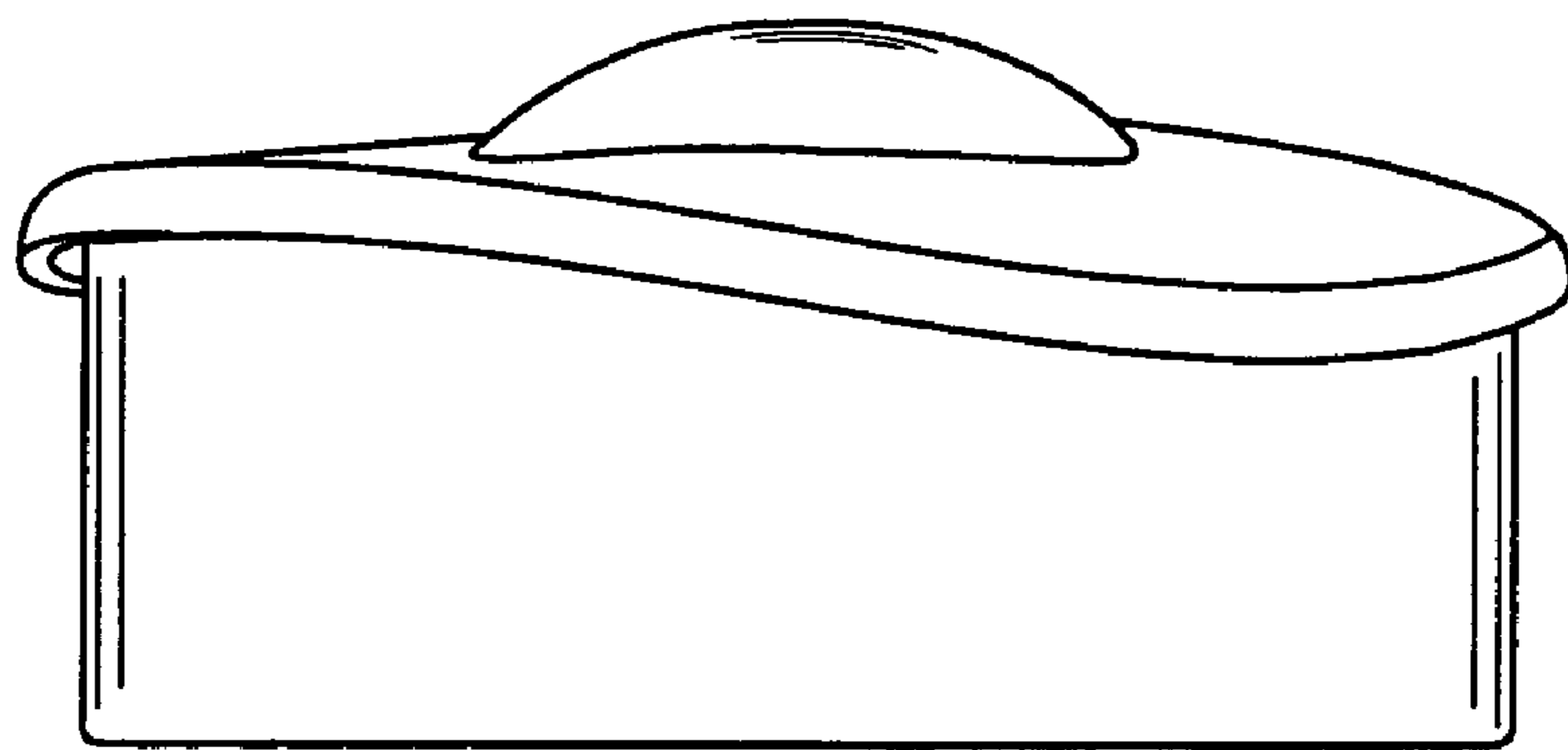


FIG. 15

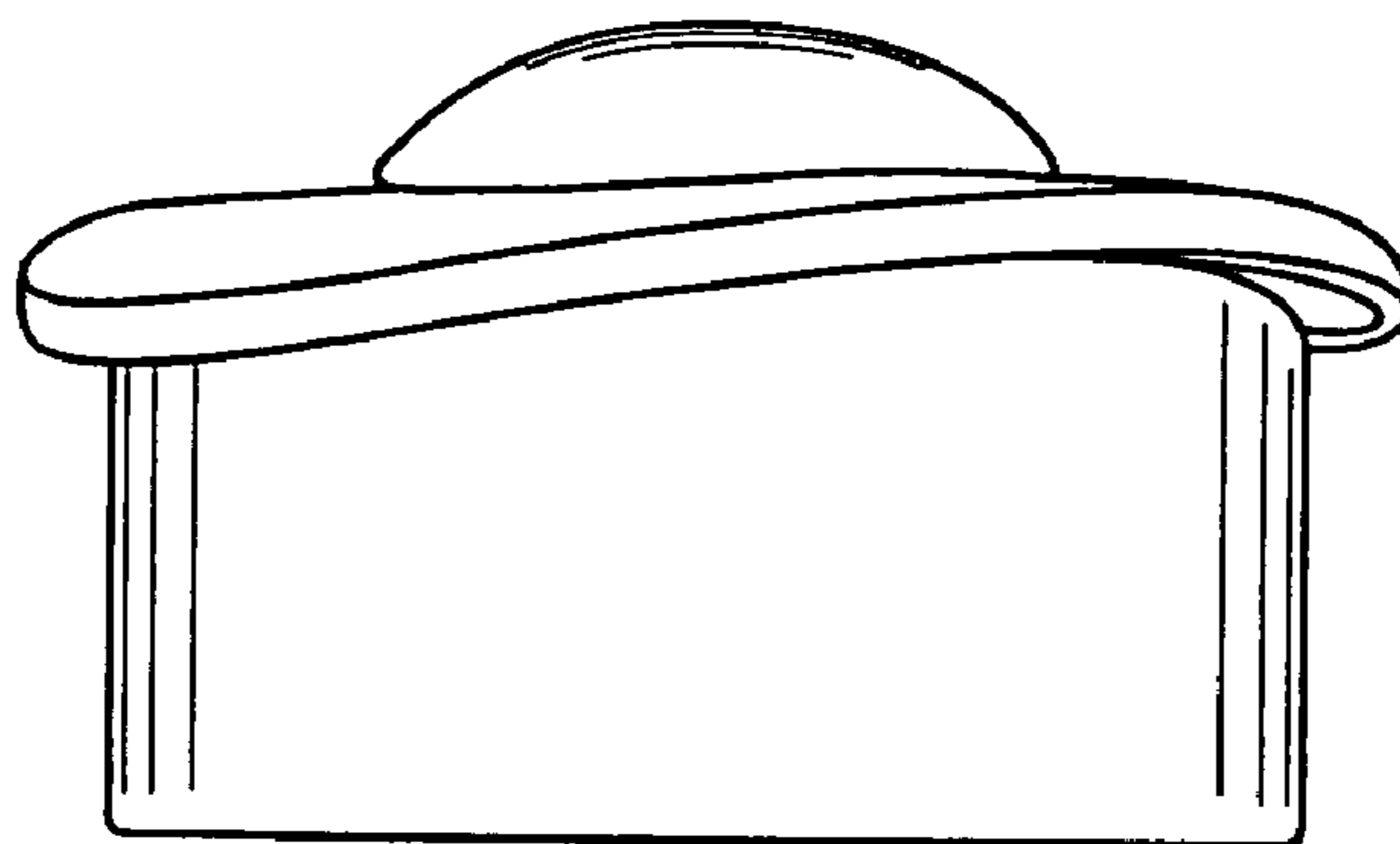


FIG. 16

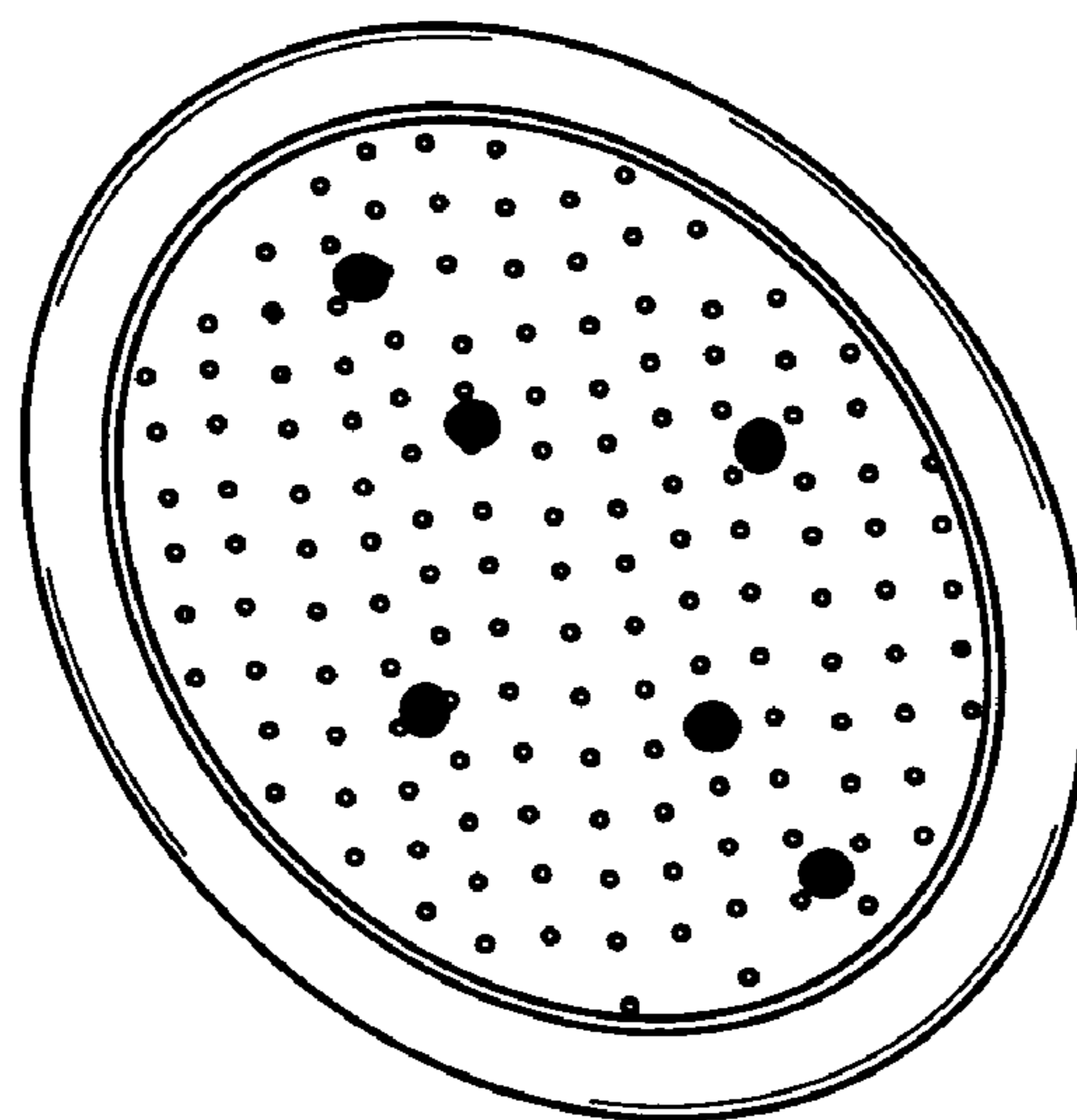


FIG. 17