

US00D567582S

(12) **United States Design Patent**
Blum et al.

(10) **Patent No.:** **US D567,582 S**
(45) **Date of Patent:** **** Apr. 29, 2008**

(54) **CONTAINER COVER**

(75) Inventors: **Jeffrey A. Blum**, New Freedom, PA (US); **Roland Charriez**, Mohegan Lake, NY (US); **David Demar**, Tenafly, NJ (US); **Steven D. Gift**, Lititz, PA (US); **Duane C. Sawyer**, York, PA (US)

(73) Assignee: **McCormick & Company, Inc.**, Sparks, MD (US)

(**) Term: **14 Years**

(21) Appl. No.: **29/275,724**

(22) Filed: **Jan. 4, 2007**

(51) **LOC (8) Cl.** **07-06**

(52) **U.S. Cl.** **D7/401.1; D9/449**

(58) **Field of Classification Search** D7/590-598, D7/401.1; D9/434, 435, 438, 449, 450; 220/254.2, 220/257.2, 270, 259.2, 826, 214, 254.3, 266, 220/837; 222/480, 482, 545, 142.1-142.9, 222/556, 153.01, 153.06, 153.07

See application file for complete search history.

(56) **References Cited**

U.S. PATENT DOCUMENTS

4,280,636 A * 7/1981 Lewis 220/835
4,463,869 A * 8/1984 Lewis 220/269

4,592,480 A * 6/1986 Hart et al. 220/270
4,621,744 A * 11/1986 Foster 220/270
4,658,980 A * 4/1987 Lindstrom 220/214
4,723,693 A * 2/1988 DeCoster 222/483
D312,190 S * 11/1990 Ciaccio D7/596
5,897,036 A * 4/1999 DeCoster et al. 222/480
6,422,411 B1 * 7/2002 Gray 220/254.2
D494,469 S * 8/2004 Solowiejko D9/435
D495,256 S * 8/2004 Solowiejko D9/449

* cited by examiner

Primary Examiner—Terry A Wallace

(74) *Attorney, Agent, or Firm*—Oblon, Spivak, McClelland, Maier & Neustadt, P.C.

(57) **CLAIM**

The ornamental design for a container cover, as shown and described.

DESCRIPTION

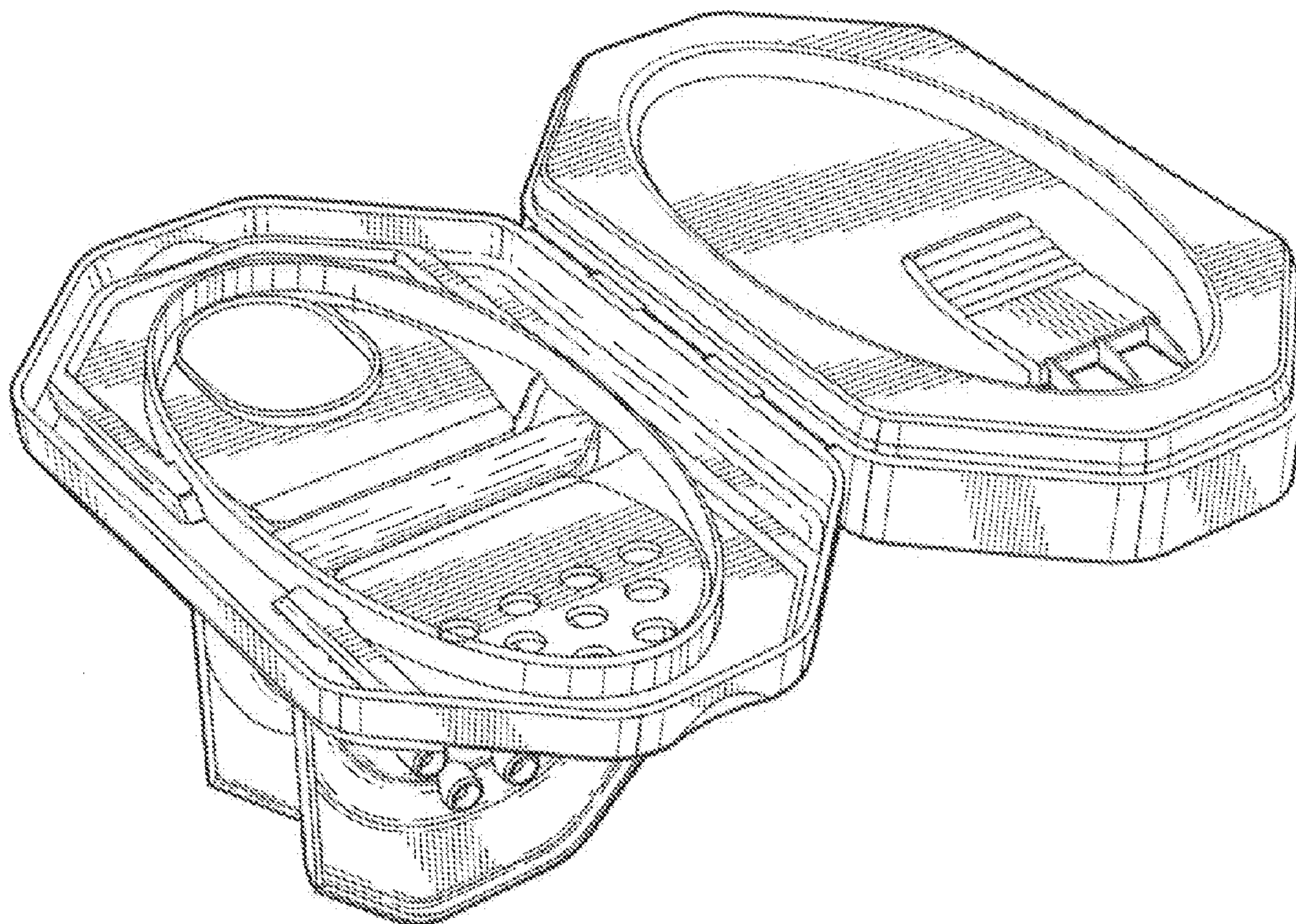
FIG. 1 is a rear elevation view of a container cover showing our new design, shown in an open position;

FIG. 2 is a top plan view thereof;

FIG. 3 is a top plan view thereof in an alternate open position; and,

FIG. 4 is a top, left and rear perspective view thereof.

1 Claim, 4 Drawing Sheets



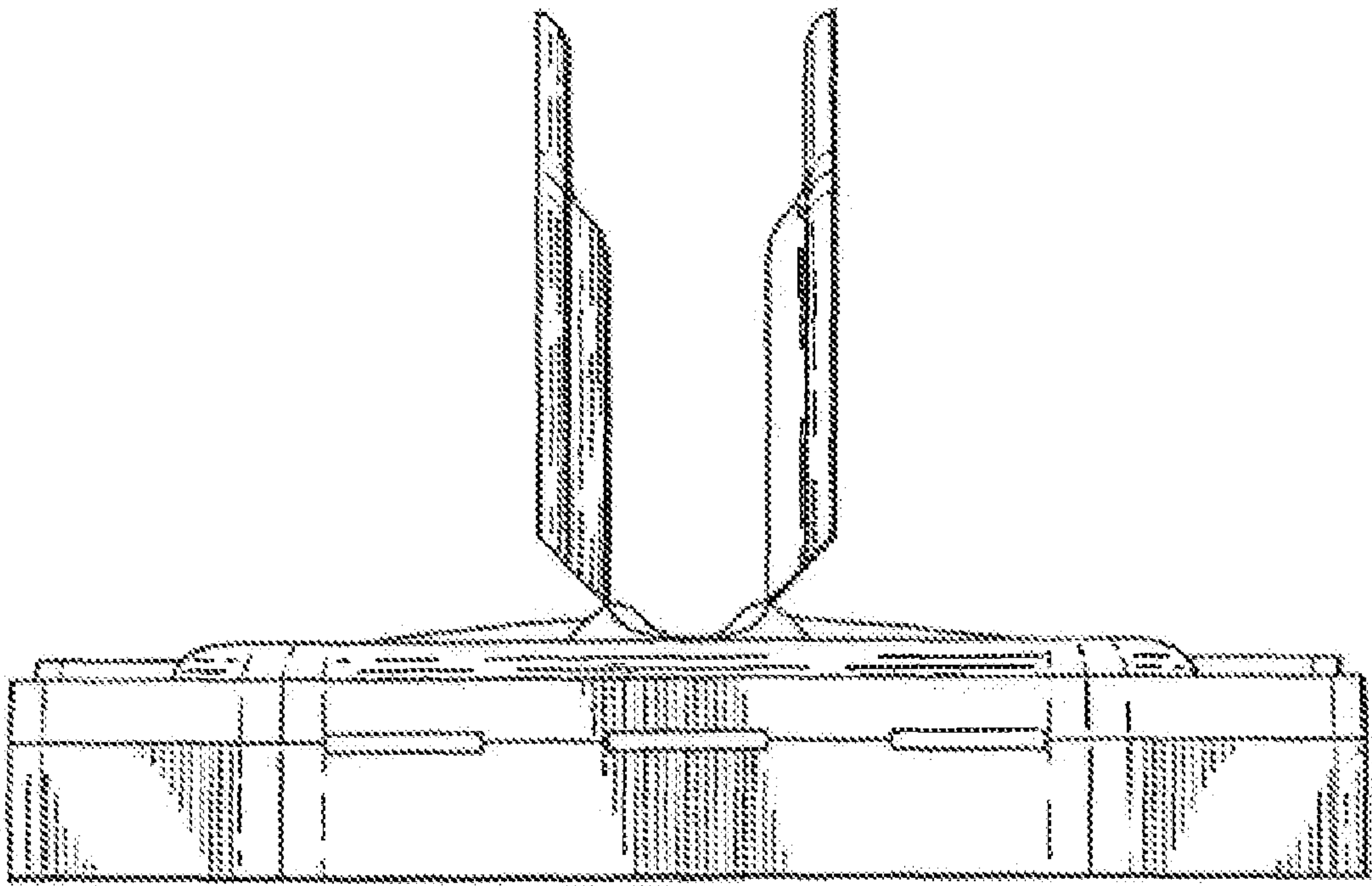


Fig. 1

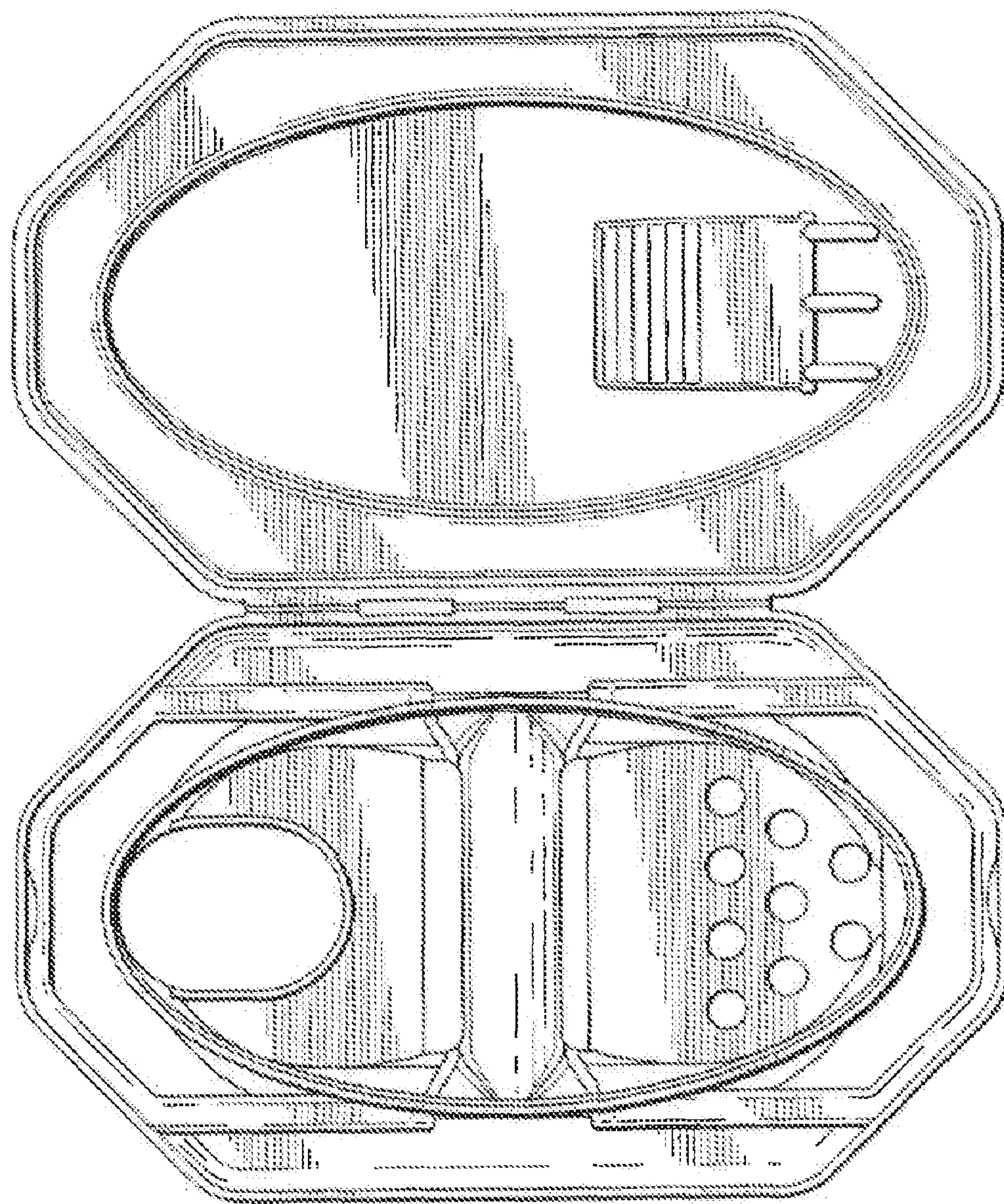


Fig. 2

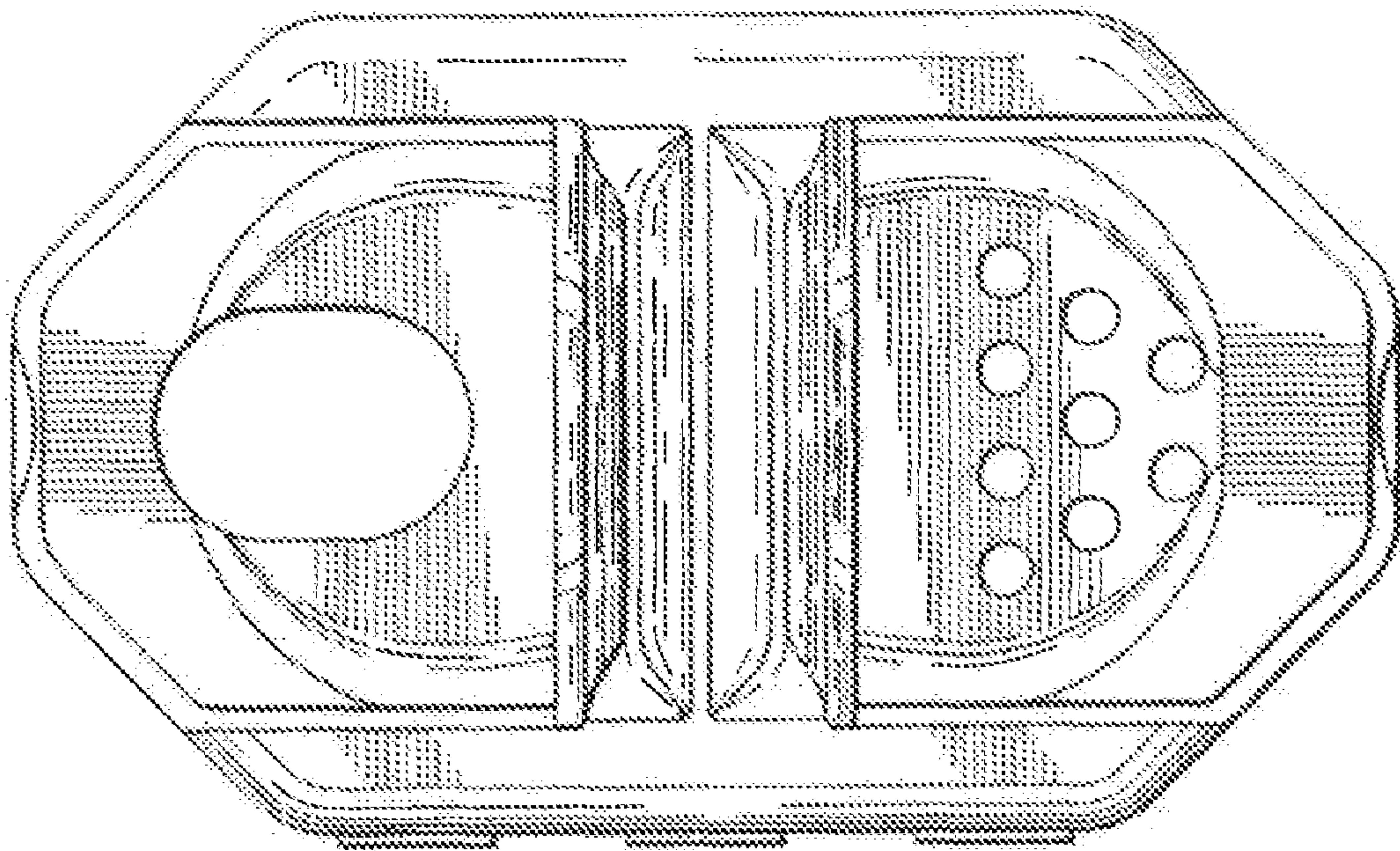


Fig. 3

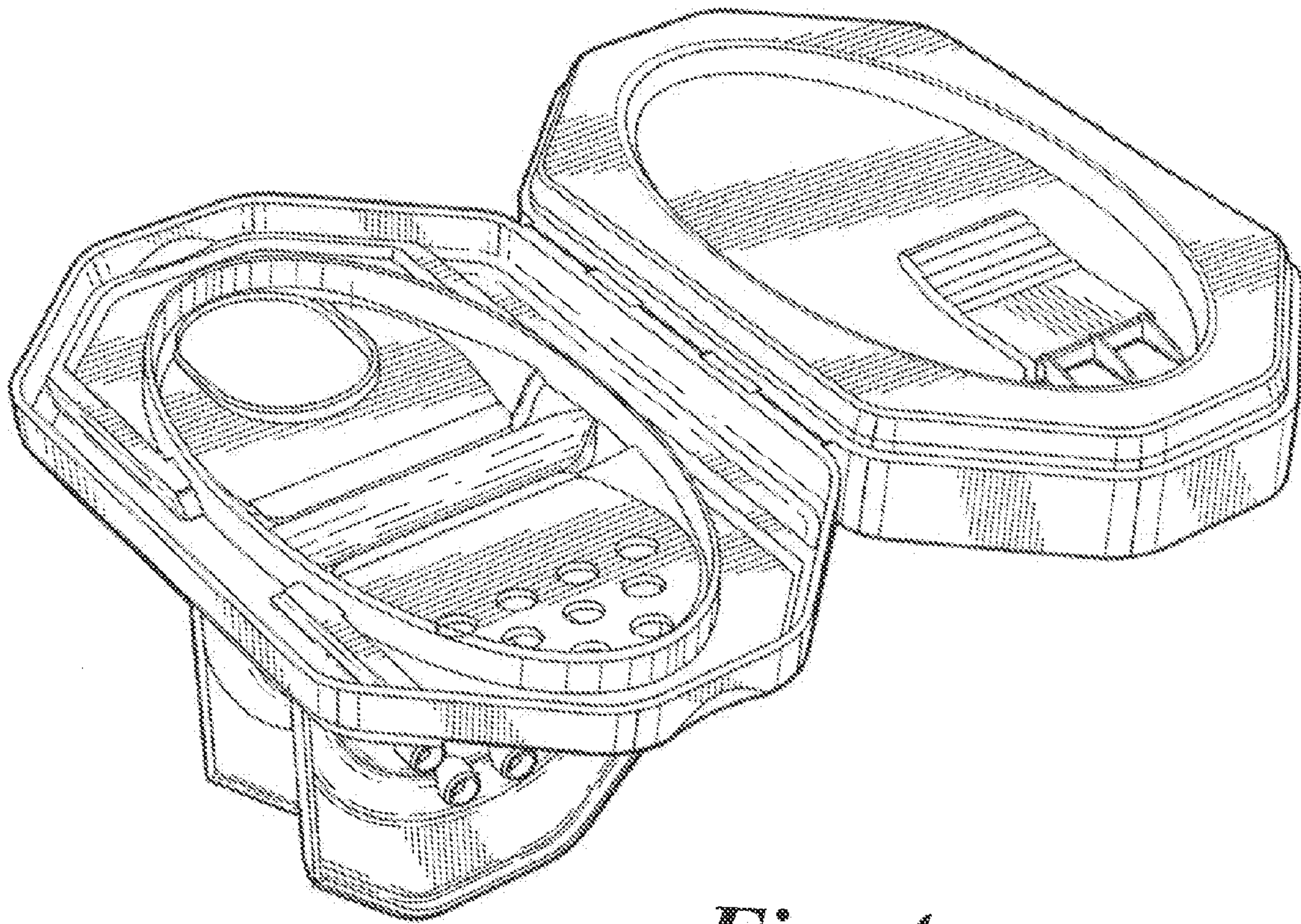


Fig. 4