

US00D567577S

(12) **United States Design Patent**  
**Cohen et al.**

(10) **Patent No.:** **US D567,577 S**  
(45) **Date of Patent:** **\*\* Apr. 29, 2008**

(54) **COOKING DEVICE**

(75) Inventors: **Eli Cohen**, Lev HaSharon (IL); **Ann Grant**, New York, NY (US)

(73) Assignee: **AAC Trade Ltd.**, New York, NY (US)

(\*\*) Term: **14 Years**

(21) Appl. No.: **29/243,008**

(22) Filed: **Nov. 18, 2005**

(51) **LOC (8) Cl.** ..... **07-02**

(52) **U.S. Cl.** ..... **D7/361**

(58) **Field of Classification Search** ..... D6/495;  
D7/323, 354-361, 376, 378, 386, 391, 392.1,  
D7/392-395, 396.6, 300, 300.1, 413, 538,  
D7/542, 588, 612-615, 622; D9/415, 425,  
D9/428, 500-505, 549, 548, 574, 575; 99/324,  
99/346, 492; 206/82, 315.1; 220/288, 741,  
220/737, 573.1-573.5, 780-795, 912; 222/183;  
248/311.2; 294/31.2; 366/129, 130, 197-205;  
426/397; 453/61

See application file for complete search history.

(56) **References Cited**

**U.S. PATENT DOCUMENTS**

- 2,775,373 A \* 12/1956 Coralline ..... 222/183
- 2,843,302 A \* 7/1958 Bandy ..... 220/737
- 3,088,767 A \* 5/1963 Deal ..... 294/31.2
- 3,346,109 A \* 10/1967 Duran ..... 206/0.82
- 3,561,982 A \* 2/1971 Oeth ..... 426/397

- 4,669,627 A \* 6/1987 Ueda et al. .... 220/741
- D336,817 S \* 6/1993 Wilcox, Jr. .... D7/392
- D362,784 S \* 10/1995 Sperry et al. .... D7/396.6
- 5,871,092 A \* 2/1999 Rogers et al. .... 206/315.1
- D443,465 S \* 6/2001 Kapellas et al. .... D7/354
- 6,260,732 B1 \* 7/2001 Khodush ..... 220/737
- 6,709,325 B2 \* 3/2004 Korsen ..... 453/61
- D543,411 S \* 5/2007 Rittberg ..... D7/354

\* cited by examiner

*Primary Examiner*—Caron D. Veynar  
*Assistant Examiner*—Ricky Pham

(57) **CLAIM**

The ornamental design for a cooking device, as shown and described.

**DESCRIPTION**

FIG. 1 is a perspective view of a cooking device showing our new design;

FIG. 2 is a left side elevational view thereof

FIG. 3 is a front elevational view thereof;

FIG. 4 is a top plan view thereof;

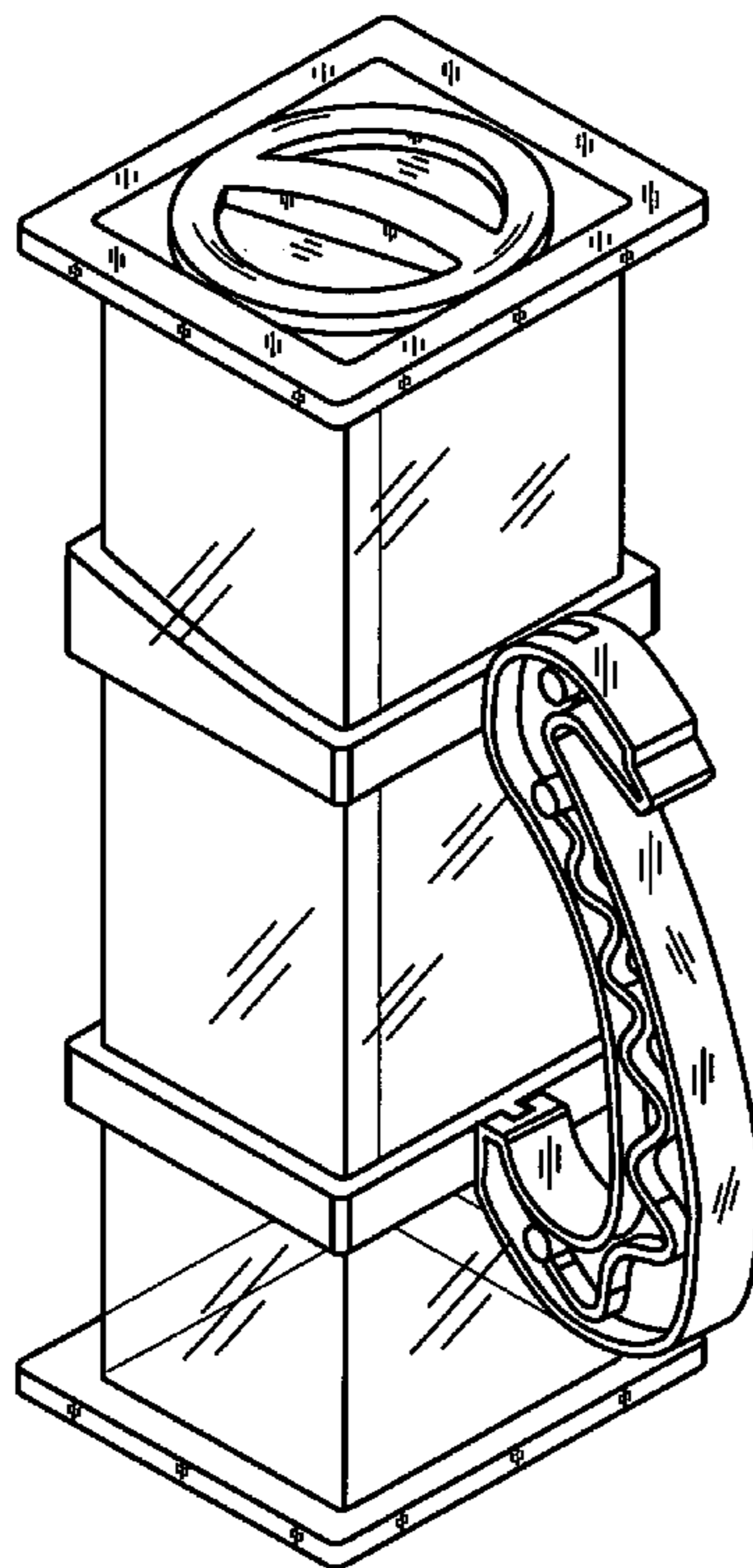
FIG. 5 is a bottom plan view thereof.

FIG. 6 is a right side elevational view thereof; and,

FIG. 7 is a rear elevational view thereof.

The broken lines shown in FIG. 5 are for illustrative purposes only and form no part of the claimed design.

**1 Claim, 3 Drawing Sheets**



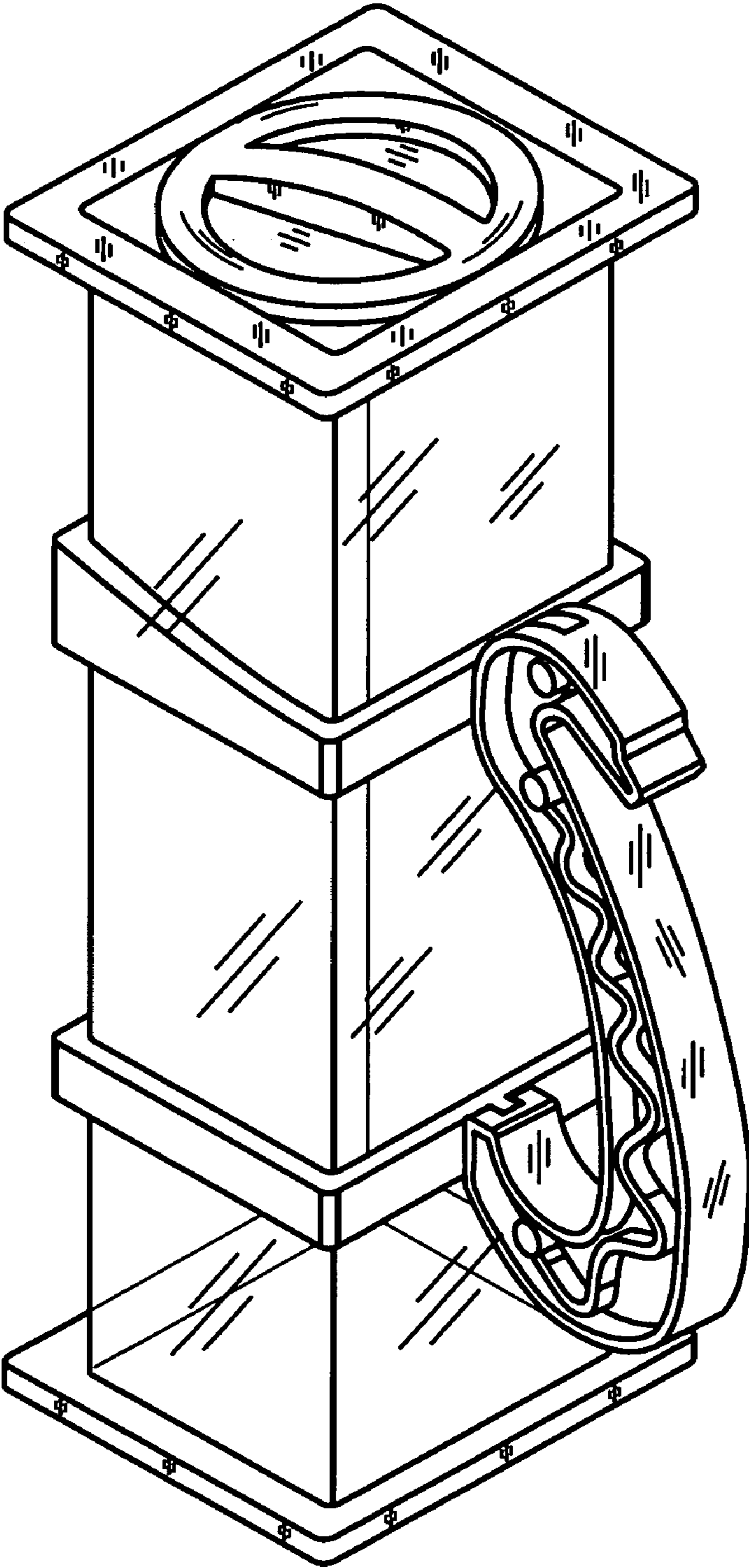


Fig. 1

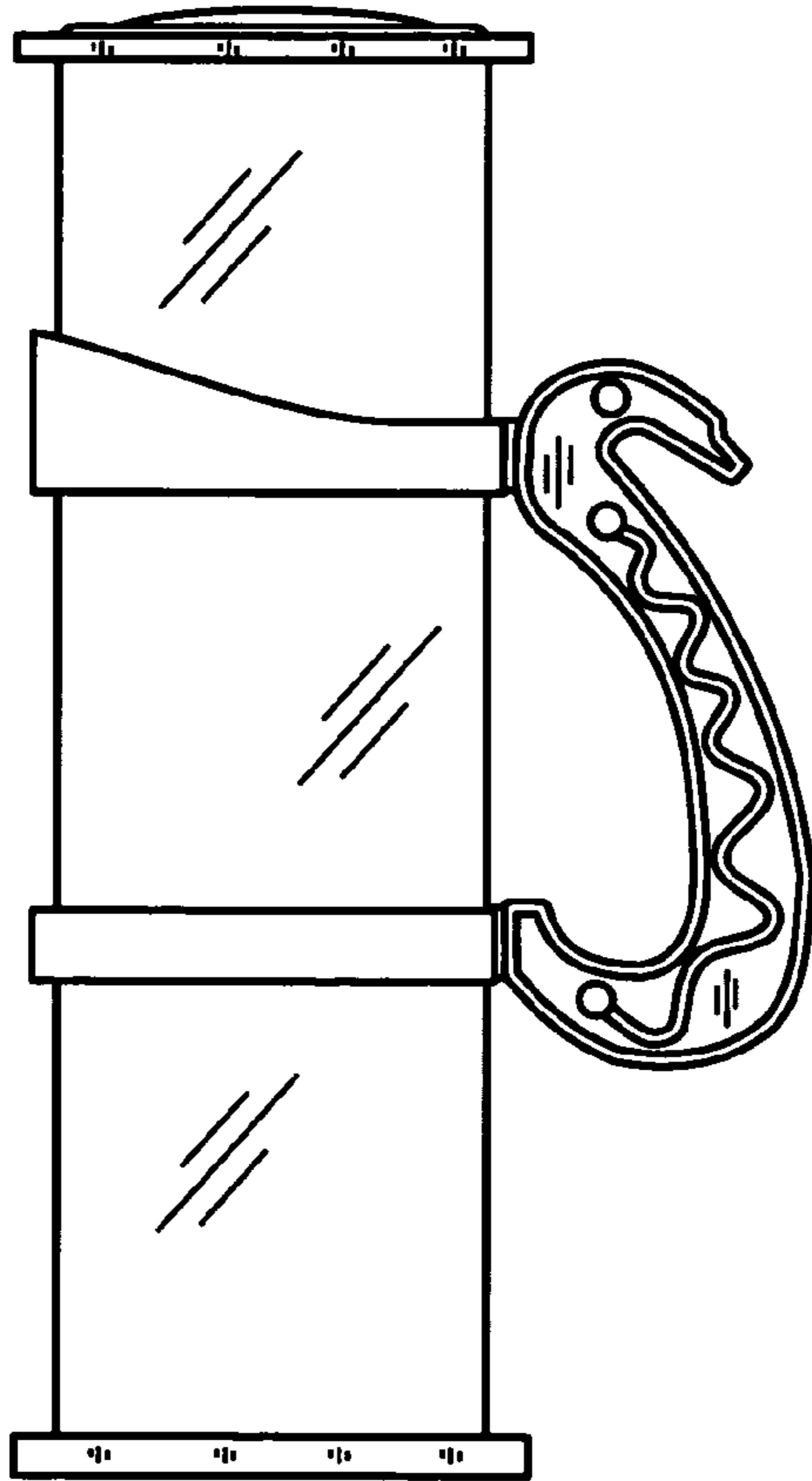


Fig. 2

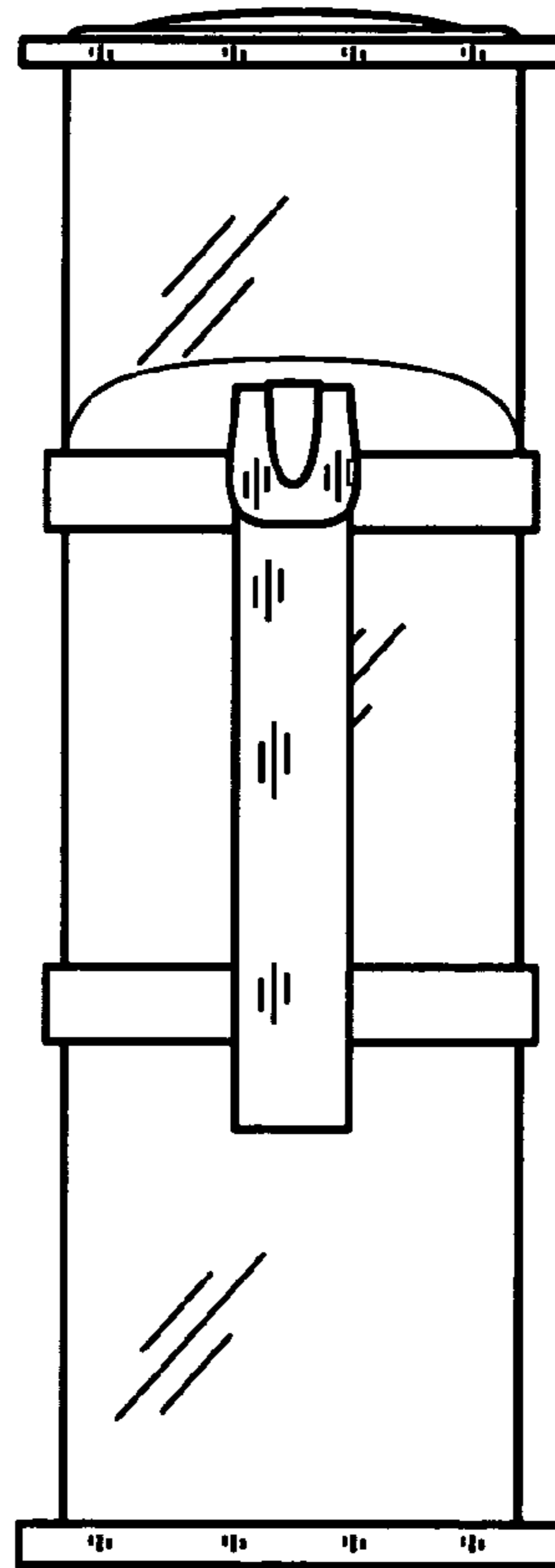


Fig. 3

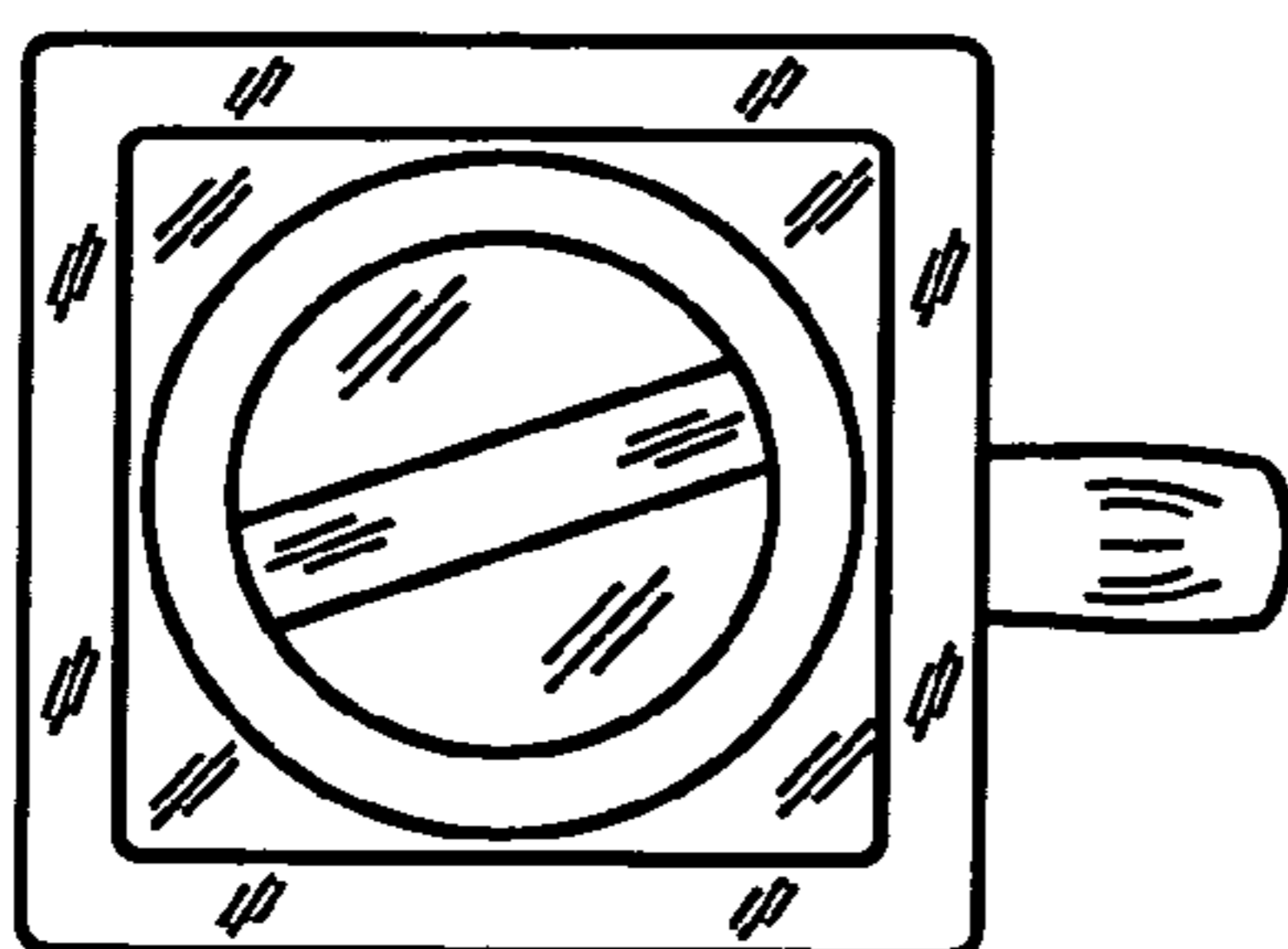


Fig. 4

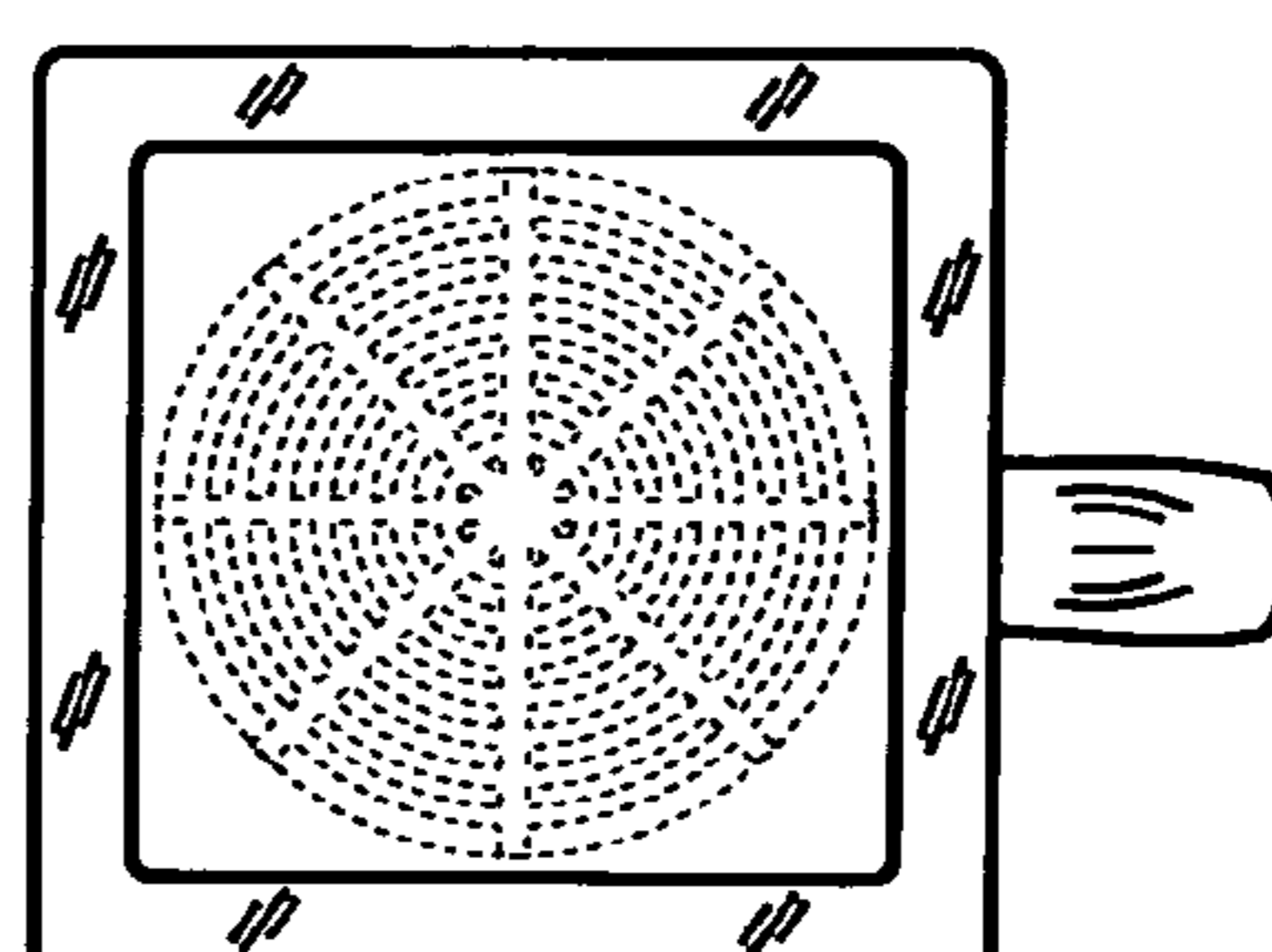


Fig. 5

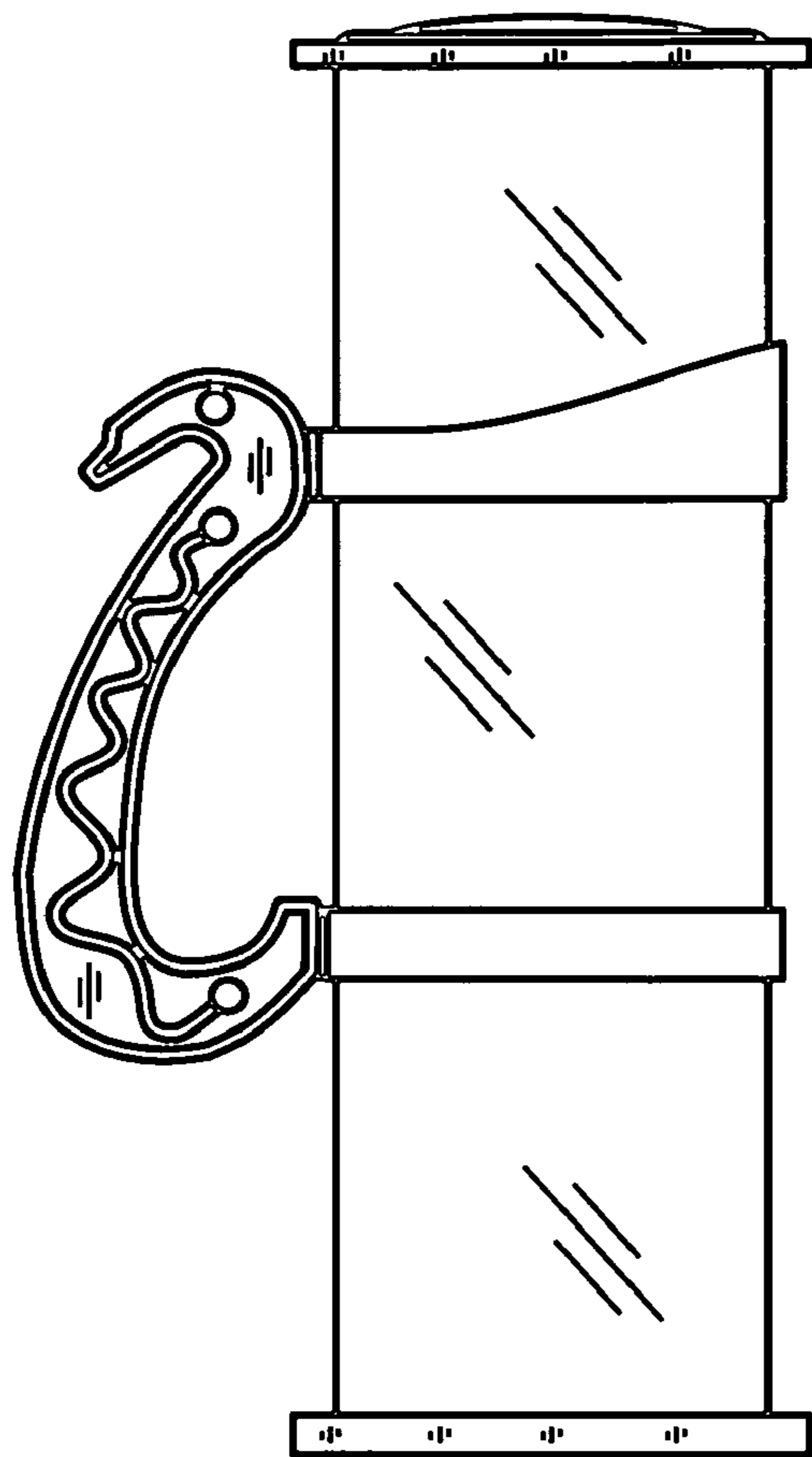


Fig. 6

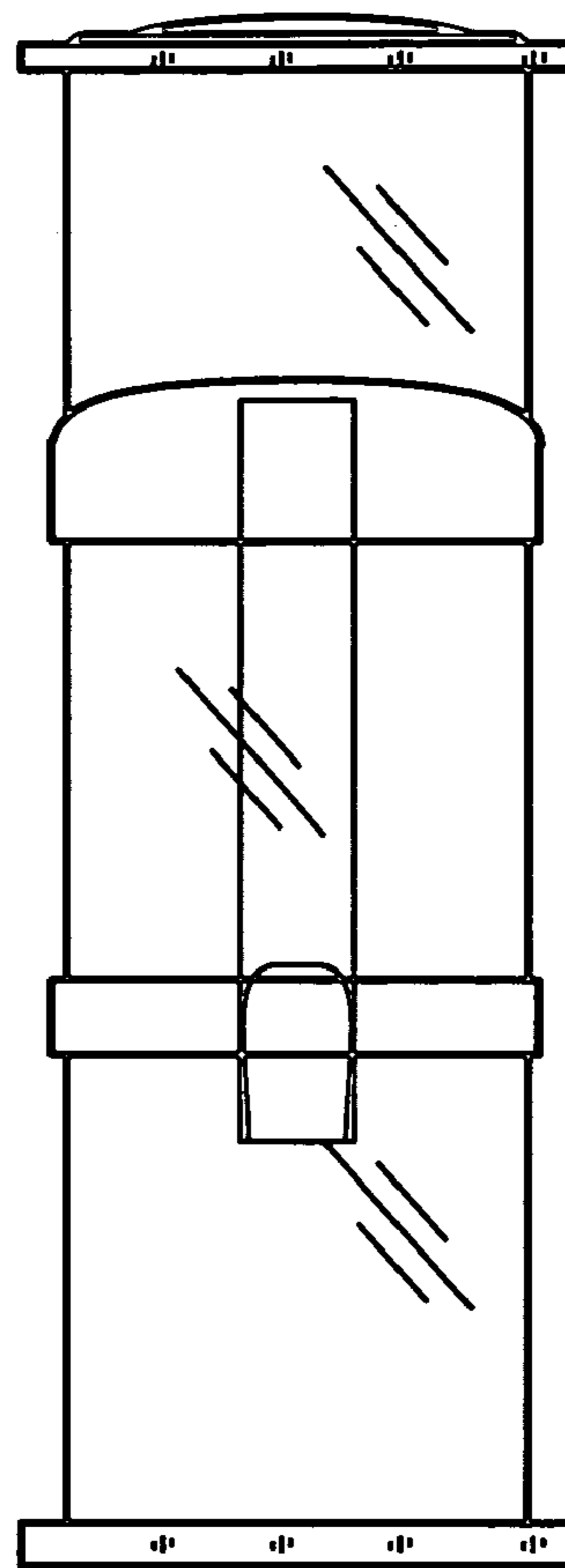


Fig. 7