



US00D567575S

(12) **United States Design Patent**  
**Rapaz**

(10) **Patent No.:** **US D567,575 S**

(45) **Date of Patent:** **\*\* Apr. 29, 2008**

(54) **RECEPTACLE STAND**

(76) **Inventor:** **Antonio Rapaz**, 8989 Charles St.,  
Chilliwack, BC (CA) V2P 4V8

(\*\*) **Term:** **14 Years**

(21) **Appl. No.:** **29/280,711**

(22) **Filed:** **Jun. 5, 2007**

(30) **Foreign Application Priority Data**

Dec. 5, 2006 (CA) ..... 118577

(51) **LOC (8) Cl.** ..... **07-02**

(52) **U.S. Cl.** ..... **D7/354**

(58) **Field of Classification Search** ..... D7/323,  
D7/393, 354-364, 403, 550.1, 551.1, 552.1,  
D7/553.1, 543-548, 554.1-554.4, 558, 601-603,  
D7/605-608; D9/425, 455, 456; D23/206;  
D30/129; 62/457.1, 457.6, 457.9; 99/324,  
99/339, 340, 422, 446, 483; 126/390.1; 206/508;  
220/573.1-573.4, 574, 574.1, 575, 912;  
248/127, 146, 196, 176.2; 294/172

See application file for complete search history.

(56) **References Cited**

**U.S. PATENT DOCUMENTS**

D96,747 S \* 9/1935 Hadley ..... D7/403  
D103,562 S \* 3/1937 Cook ..... D9/455  
D168,905 S \* 2/1953 O'Connell ..... D7/355  
D232,564 S \* 8/1974 Kissin ..... D30/129  
D251,586 S \* 4/1979 Levenhagen ..... D9/425  
D299,768 S \* 2/1989 Windom ..... D30/129  
D331,538 S \* 12/1992 Fabre ..... D9/455

D340,761 S \* 10/1993 Long ..... D23/206  
D391,119 S 2/1998 Rapaz  
5,957,123 A \* 9/1999 Addonizio et al. .... 126/390.1  
D468,580 S \* 1/2003 Ruiseco ..... D7/355  
6,568,534 B2 \* 5/2003 Zank ..... 206/508  
D522,307 S \* 6/2006 Mariani et al. .... D7/355  
D523,285 S \* 6/2006 Wells, Sr. .... D7/355  
D539,076 S 3/2007 Rapaz  
D541,103 S 4/2007 Rapaz

**FOREIGN PATENT DOCUMENTS**

CA 110742 7/2007  
CA 112414 7/2007  
CA 116515 7/2007

\* cited by examiner

*Primary Examiner*—Caron D. Veynar

*Assistant Examiner*—Ricky Pham

(74) *Attorney, Agent, or Firm*—Oyen Wiggs Green &  
Mutala LLP

(57) **CLAIM**

The ornamental design for a receptacle stand, as shown.

**DESCRIPTION**

FIG. 1 is a top view of a receptacle stand according to the design;

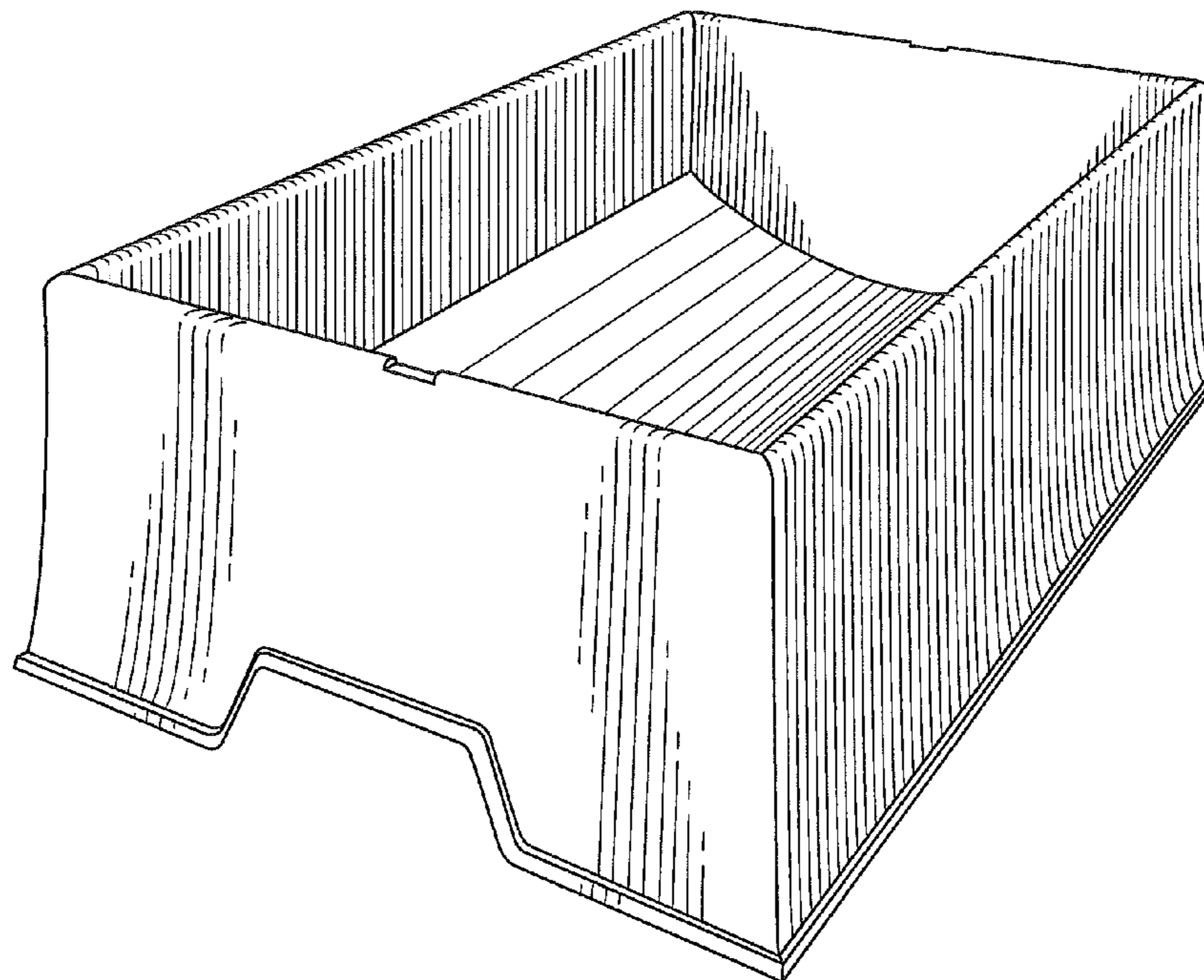
FIG. 2 is a bottom view thereof;

FIG. 3 is a side view thereof;

FIG. 4 is an end view thereof; and,

FIG. 5 is a perspective view thereof.

**1 Claim, 3 Drawing Sheets**



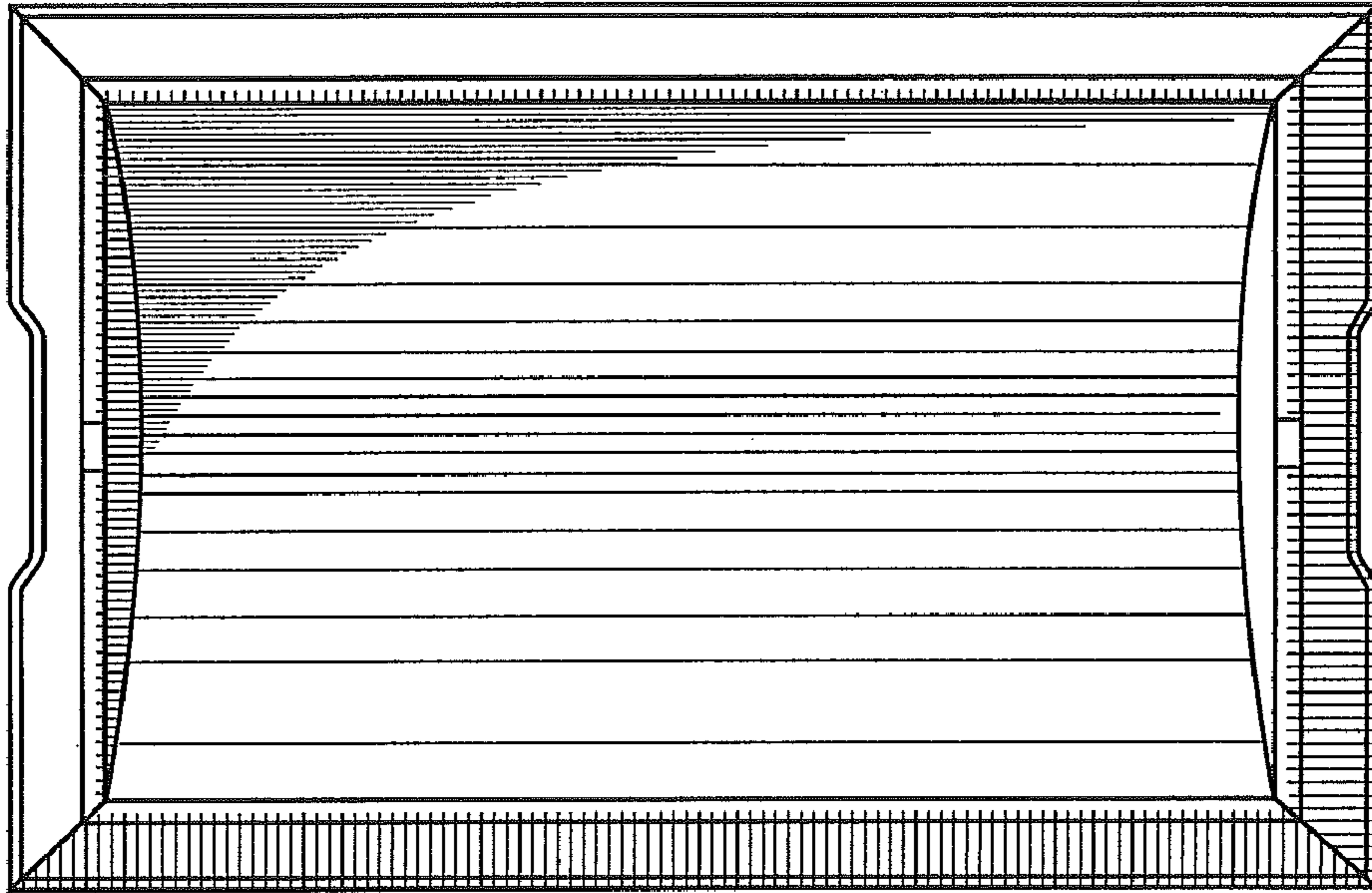


FIGURE 1

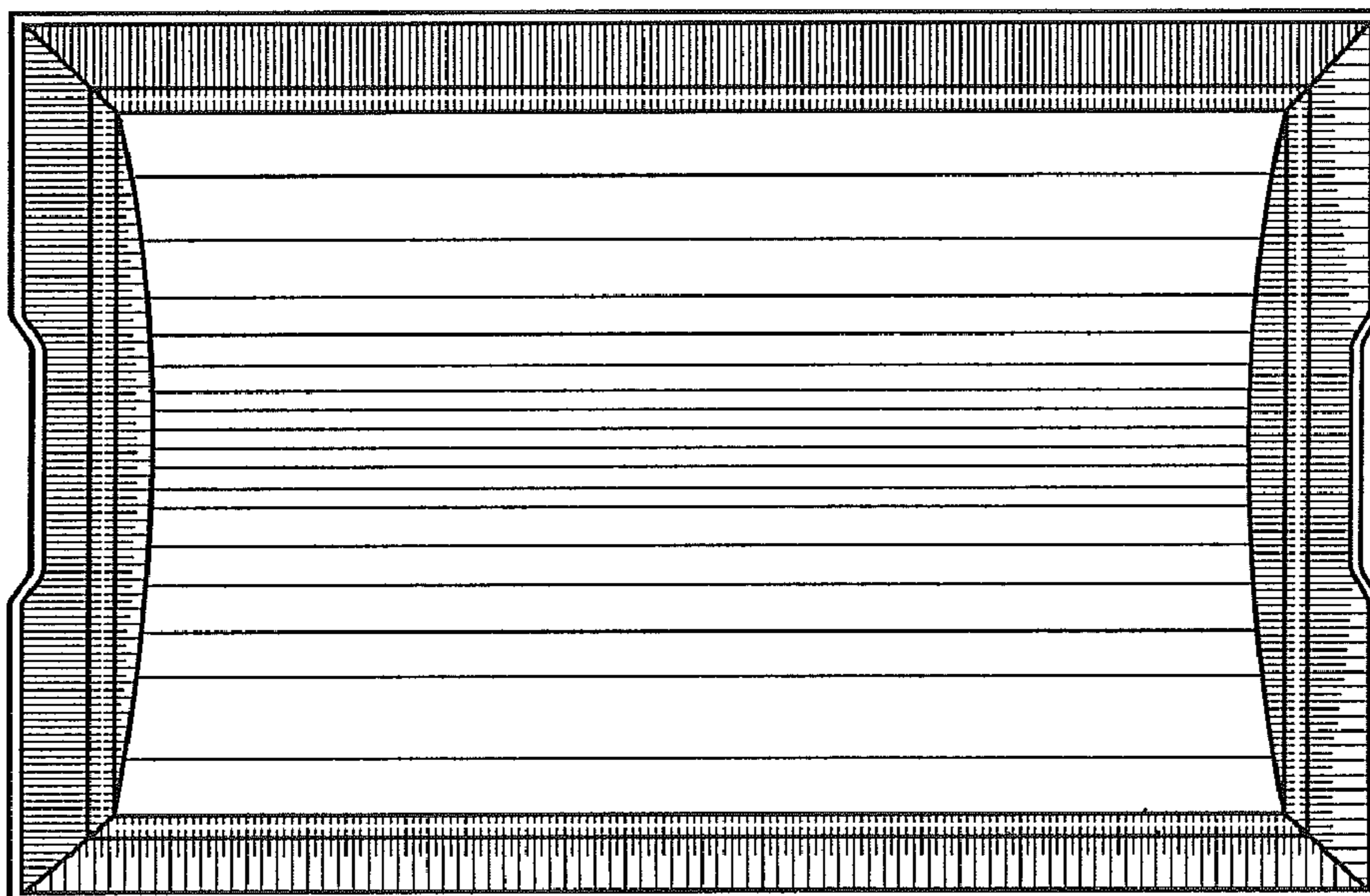


FIGURE 2

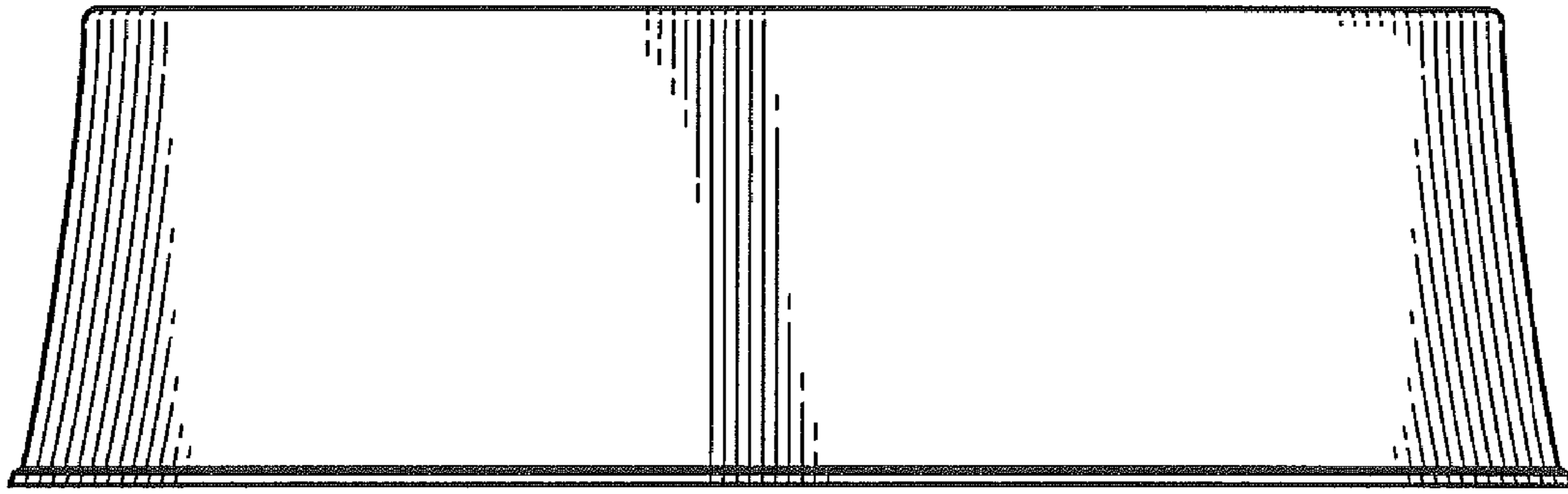


FIGURE 3

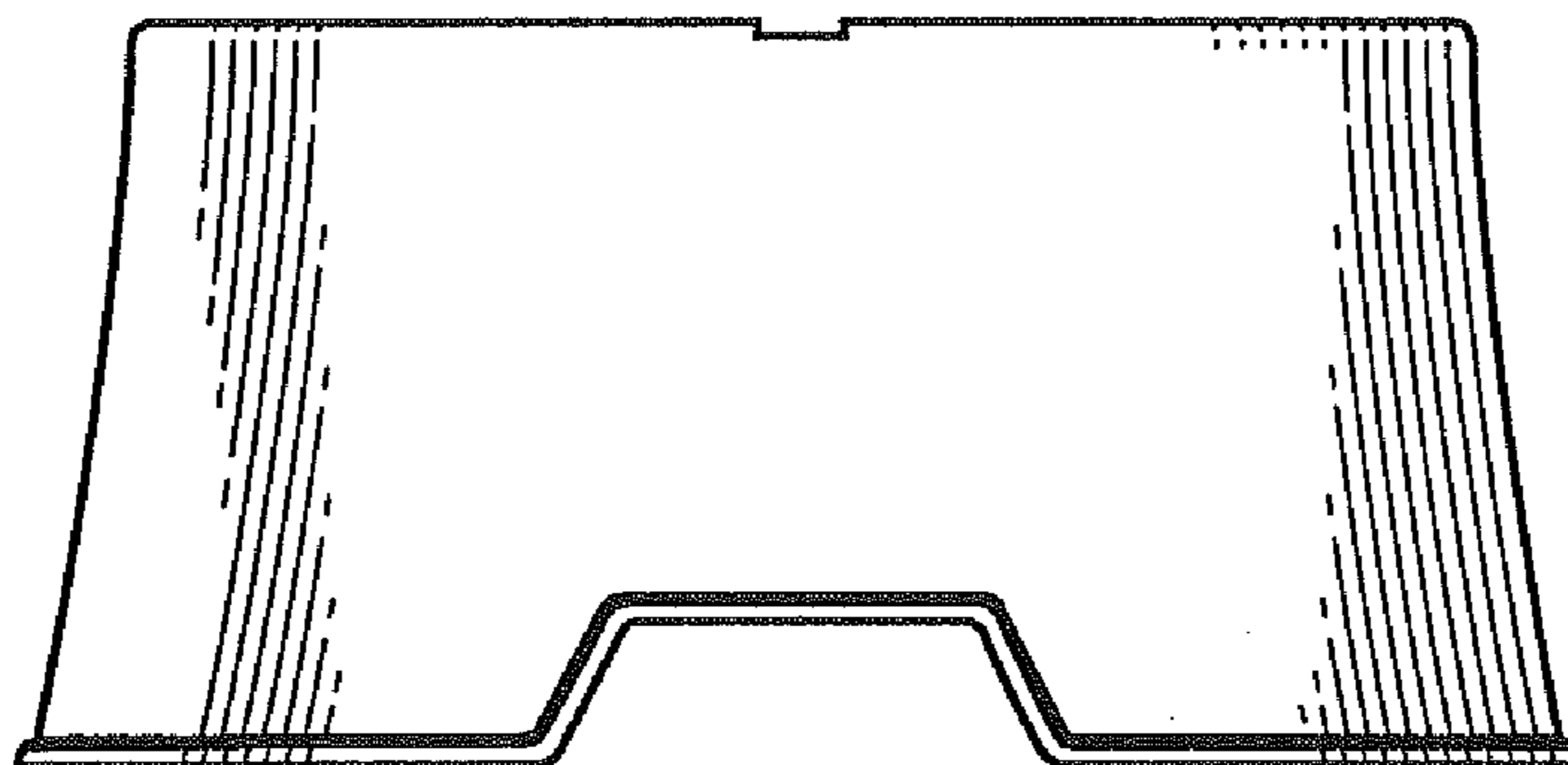


FIGURE 4

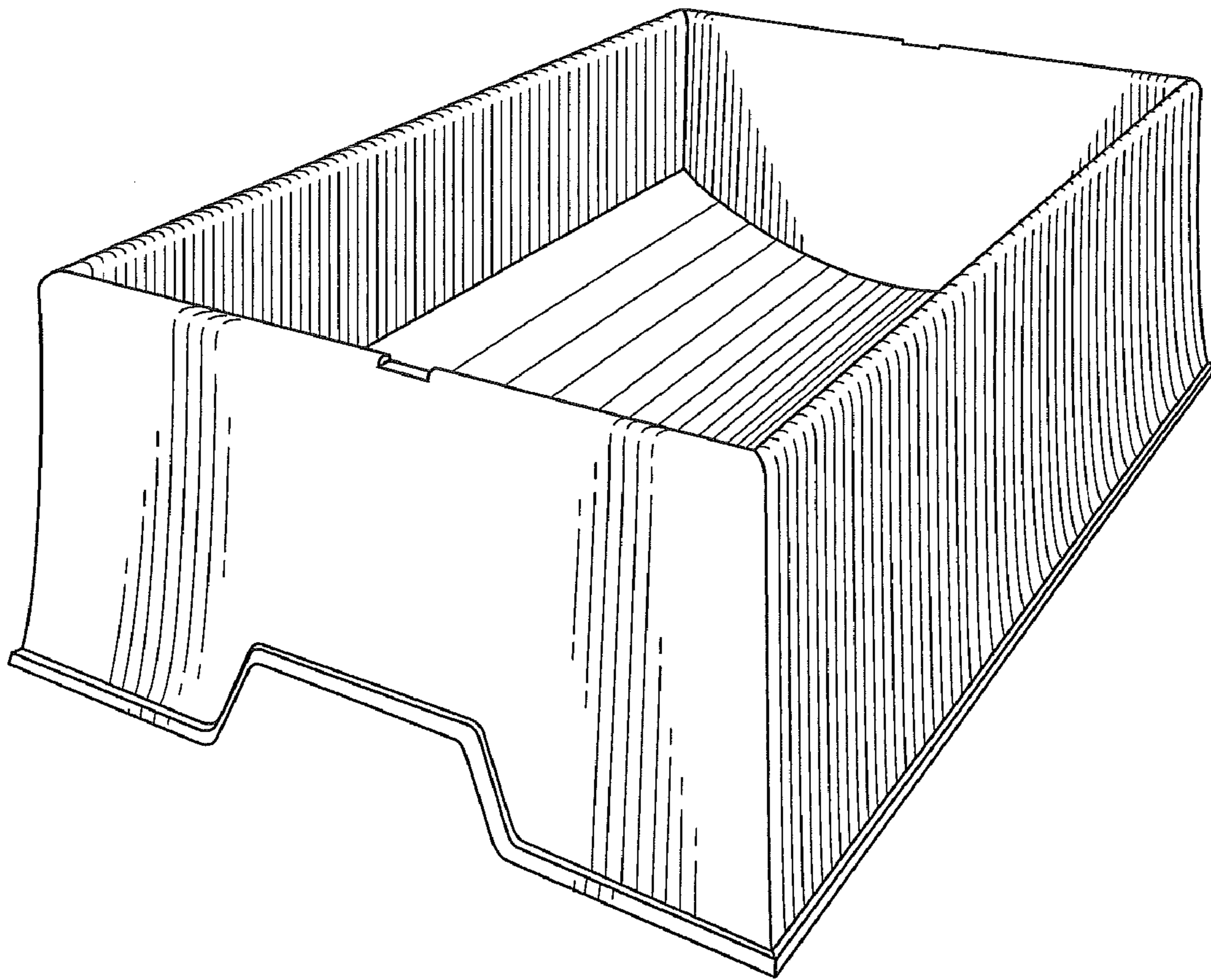


FIGURE 5