



US00D567570S

(12) **United States Design Patent**
O'Loughlin

(10) **Patent No.:** **US D567,570 S**

(45) **Date of Patent:** **** Apr. 29, 2008**

(54) **TOASTER**

(75) Inventor: **Nick O'Loughlin**, Sydney (AU)

(73) Assignee: **Sunbeam Corporation Limited**,
Botany, New South Wales (AU)

(**) Term: **14 Years**

(21) Appl. No.: **29/291,108**

(22) Filed: **Aug. 14, 2007**

(30) **Foreign Application Priority Data**

Feb. 15, 2007 (AU) 313995

(51) **LOC (8) Cl.** **07-02**

(52) **U.S. Cl.** **D7/330**

(58) **Field of Classification Search** D7/323,
D7/328-333, 385, 390, 340, 341, 346, 354-365,
D7/367, 402, 405-411; D13/158, 162, 162.1,
D13/163; 99/331, 332, 357, 375, 385; 219/214,
219/388, 405, 443.1, 450.1, 492

See application file for complete search history.

(56) **References Cited**

U.S. PATENT DOCUMENTS

D377,133 S * 1/1997 Stutzer et al. D7/330
D472,421 S * 4/2003 To D7/330
D473,093 S * 4/2003 To D7/330
D490,267 S * 5/2004 Berthier D7/330

D509,702 S * 9/2005 Picozza et al. D7/330
D522,305 S * 6/2006 Morgan D7/330
D523,683 S * 6/2006 Guyett et al. D7/330
D526,526 S * 8/2006 Yeung D7/330
D548,512 S * 8/2007 Nakatani D7/330
D551,017 S * 9/2007 Beesley et al. D7/330
D551,488 S * 9/2007 Ting et al. D7/330
D552,918 S * 10/2007 Kim et al. D7/330
D553,421 S * 10/2007 Kim et al. D7/330

* cited by examiner

Primary Examiner—Caron D. Veynar

Assistant Examiner—Ricky Pham

(74) *Attorney, Agent, or Firm*—Tiajolloff & Kelly

(57) **CLAIM**

The ornamental design for a toaster, as shown.

DESCRIPTION

FIG. 1 is a right hand side view of the toaster showing my new design;

FIG. 2 is a front view thereof;

FIG. 3 is a rear view thereof;

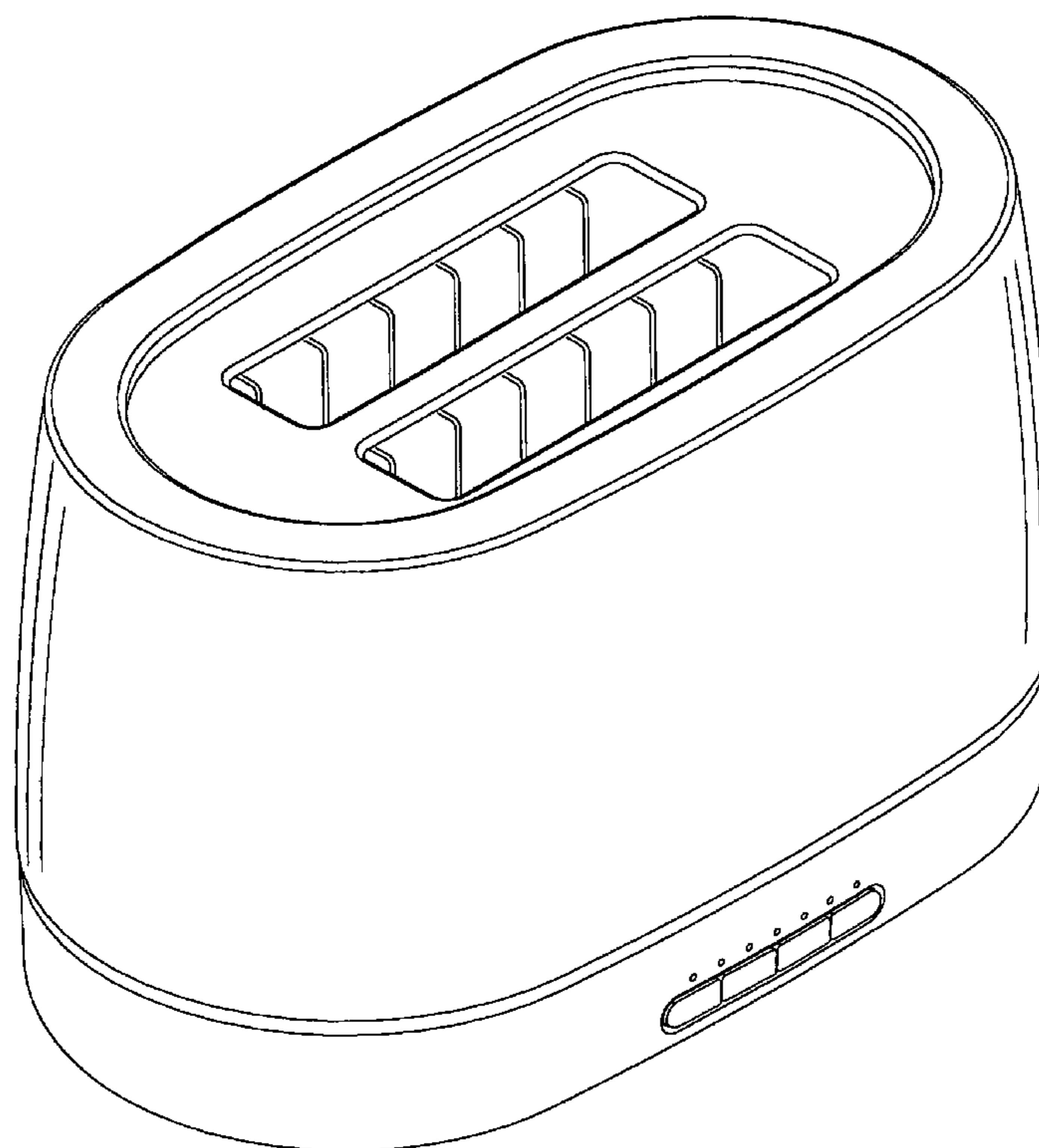
FIG. 4 is a left hand side view thereof;

FIG. 5 is a top view thereof;

FIG. 6 is a bottom plan view thereof; and,

FIG. 7 is a front isometric view thereof.

1 Claim, 7 Drawing Sheets



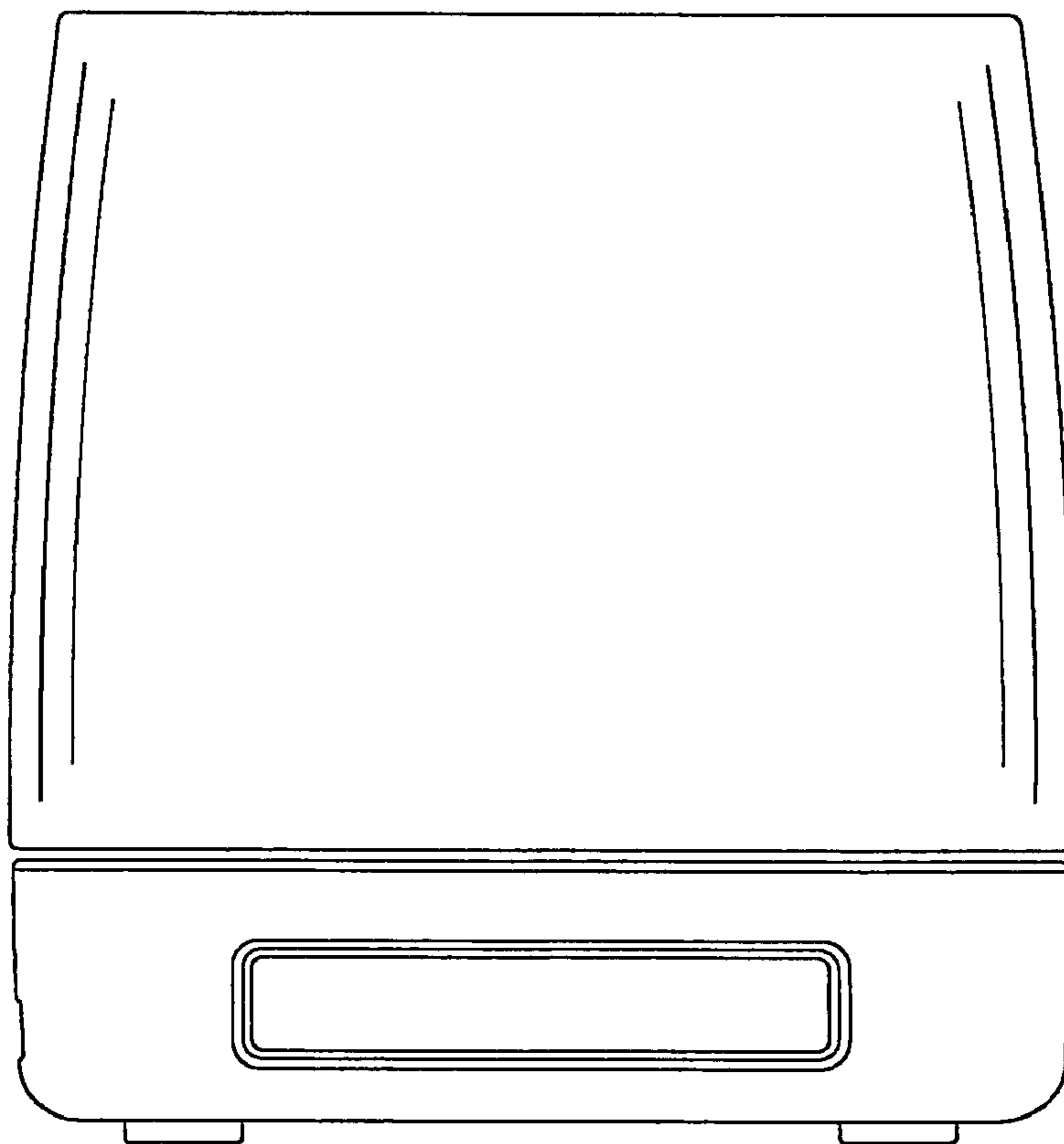


FIG. 1

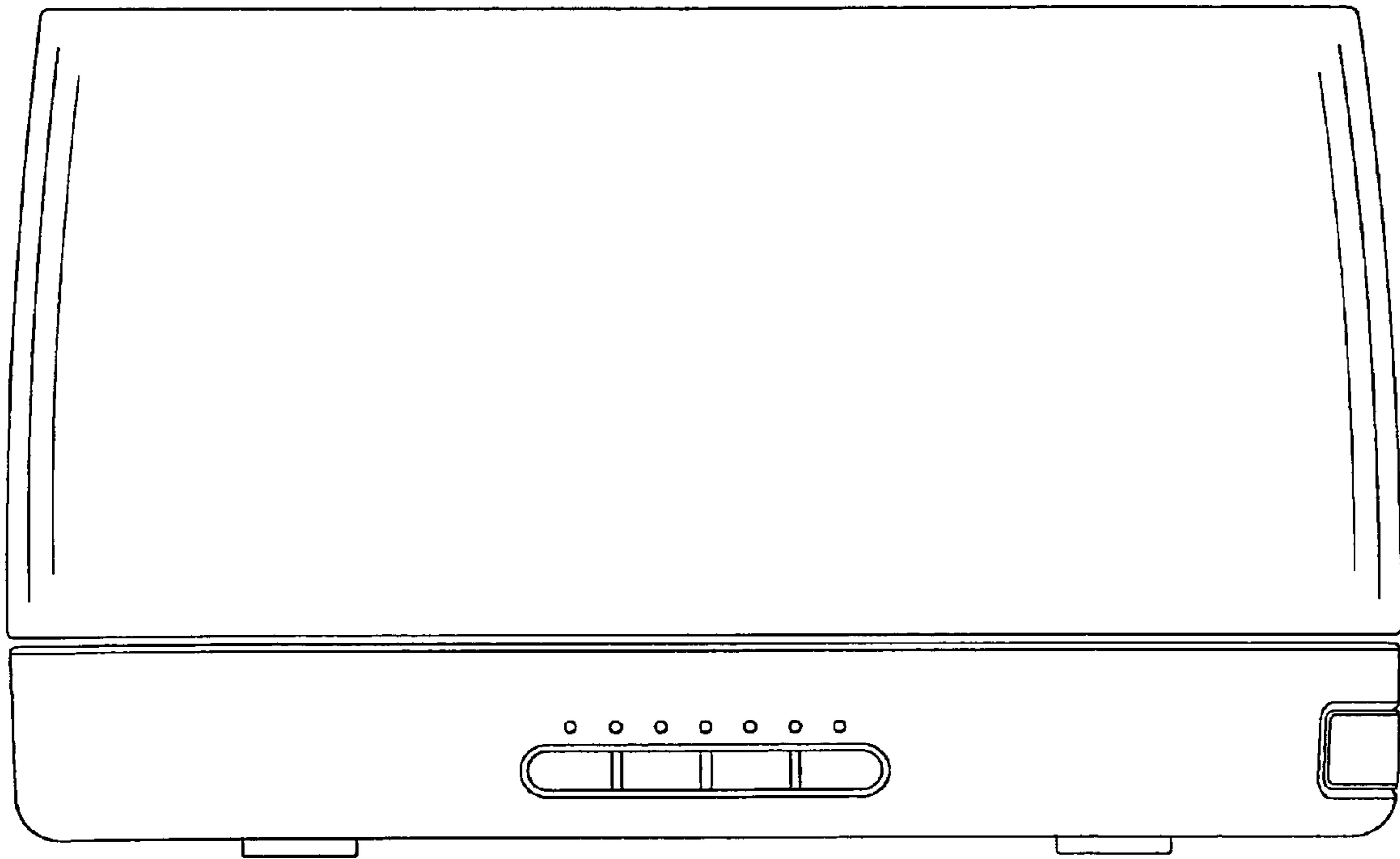


FIG. 2

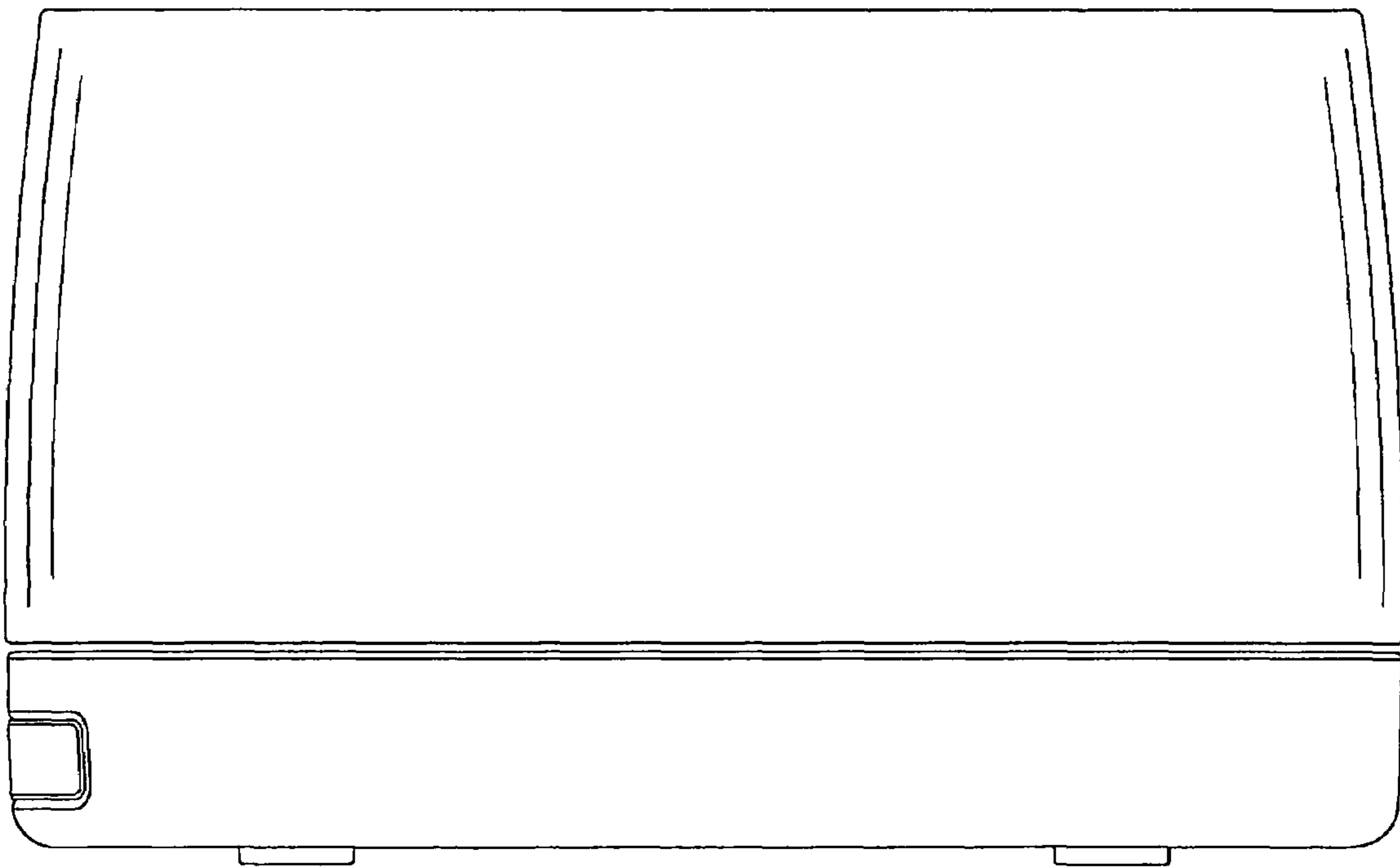


FIG. 3

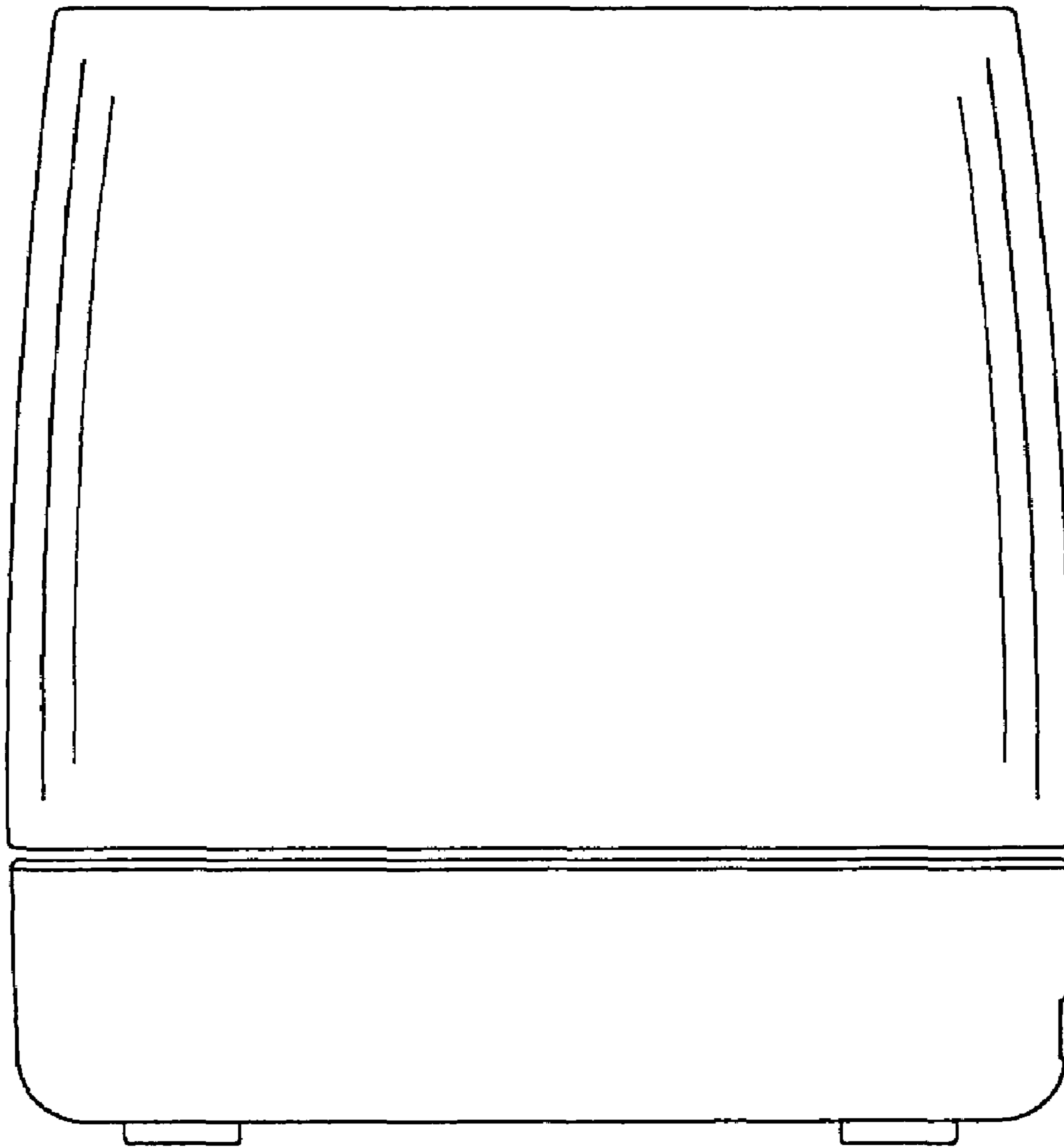


FIG. 4

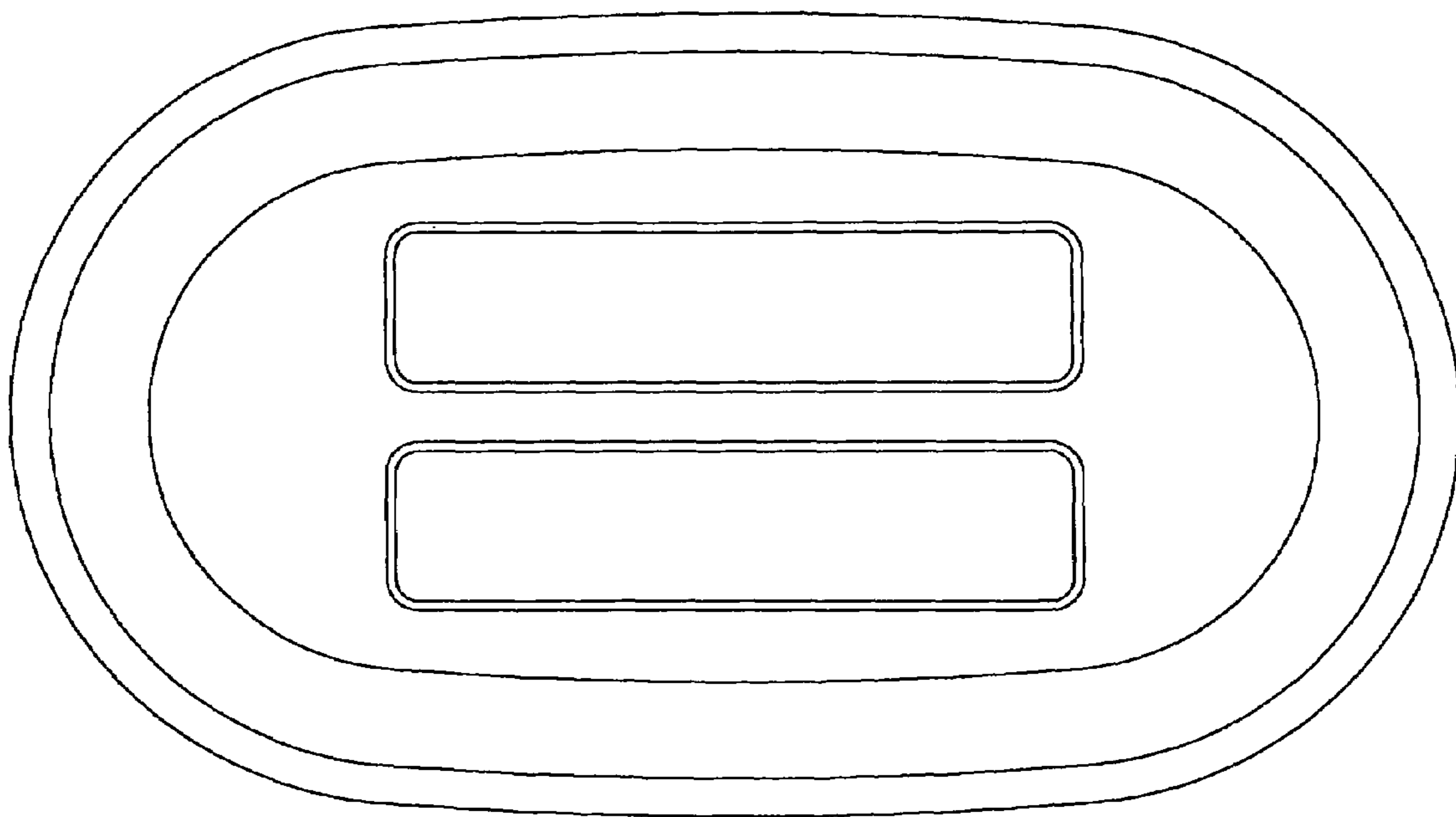


FIG. 5

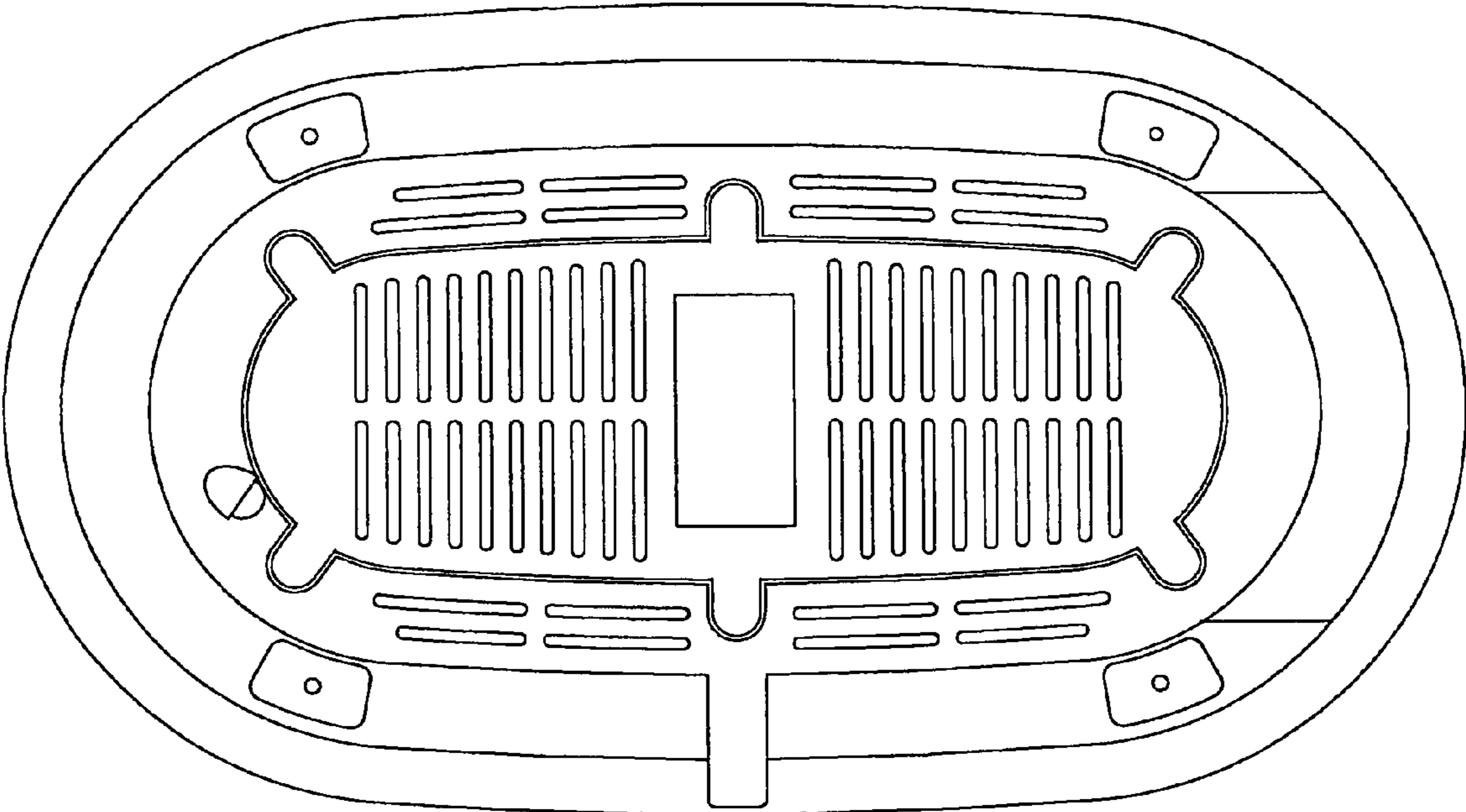


FIG. 6

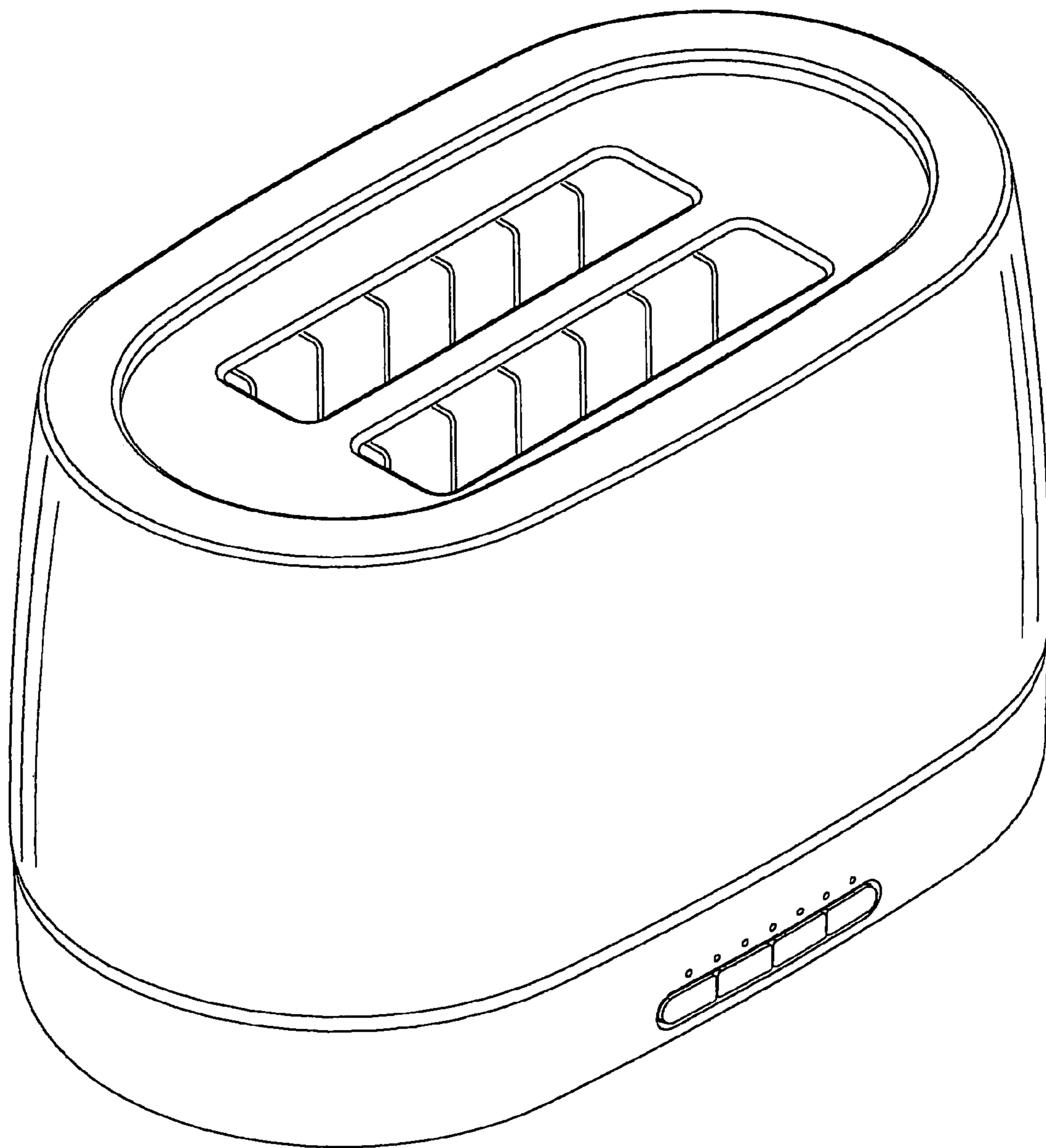


FIG. 7