



US00D567569S

(12) **United States Design Patent**  
**Kassenaar**

(10) **Patent No.:** **US D567,569 S**

(45) **Date of Patent:** **\*\* Apr. 29, 2008**

(54) **POPCORN MAKER**

(75) Inventor: **Anne Judith Kassenaar**, Cambridge, MA (US)

(73) Assignee: **Conair Corporation**, Stamford, CT (US)

(\*\*) Term: **14 Years**

(21) Appl. No.: **29/288,748**

(22) Filed: **Jun. 21, 2007**

(51) **LOC (8) Cl.** ..... **31-00**

(52) **U.S. Cl.** ..... **D7/325**

(58) **Field of Classification Search** ..... D7/323, D7/325, 354-361, 400, 500, 667; 99/323.4, 99/323.5, 323.6, 323.7, 323.8, 323.9, 442; 219/433, 441, 728-731, 735, 745, 762; 426/106, 426/107, 110, 234, 241, 243  
See application file for complete search history.

(56) **References Cited**

**U.S. PATENT DOCUMENTS**

- 3,570,388 A \* 3/1971 Gottlieb ..... 99/323.5
- D262,681 S \* 1/1982 Dawson ..... D7/667
- D270,702 S \* 9/1983 Bowen et al. .... D7/325
- D271,174 S \* 11/1983 Bowen et al. .... D7/325
- D276,970 S \* 1/1985 Bowen et al. .... D7/325
- D279,070 S \* 6/1985 Morrison et al. .... D7/325
- D360,102 S \* 7/1995 Geissler et al. .... D7/325

- D383,036 S \* 9/1997 Cohen et al. .... D7/400
- 7,024,986 B2 \* 4/2006 Kurosawa ..... 99/323.9
- D528,347 S \* 9/2006 Kassenaar ..... D7/325
- 2004/0194633 A1 \* 10/2004 Bourne ..... 99/323.5
- 2007/0056448 A1 \* 3/2007 Kernan ..... 99/323.5

\* cited by examiner

*Primary Examiner*—Caron D. Veynar

*Assistant Examiner*—Ricky Pham

(74) *Attorney, Agent, or Firm*—Lawrence Cruz

(57) **CLAIM**

The ornamental design for the popcorn maker, as shown and described.

**DESCRIPTION**

FIG. 1 is a perspective view of a popcorn maker showing a new design;

FIG. 2 is a front view thereof;

FIG. 3 is a rear view thereof;

FIG. 4 is a right side view thereof;

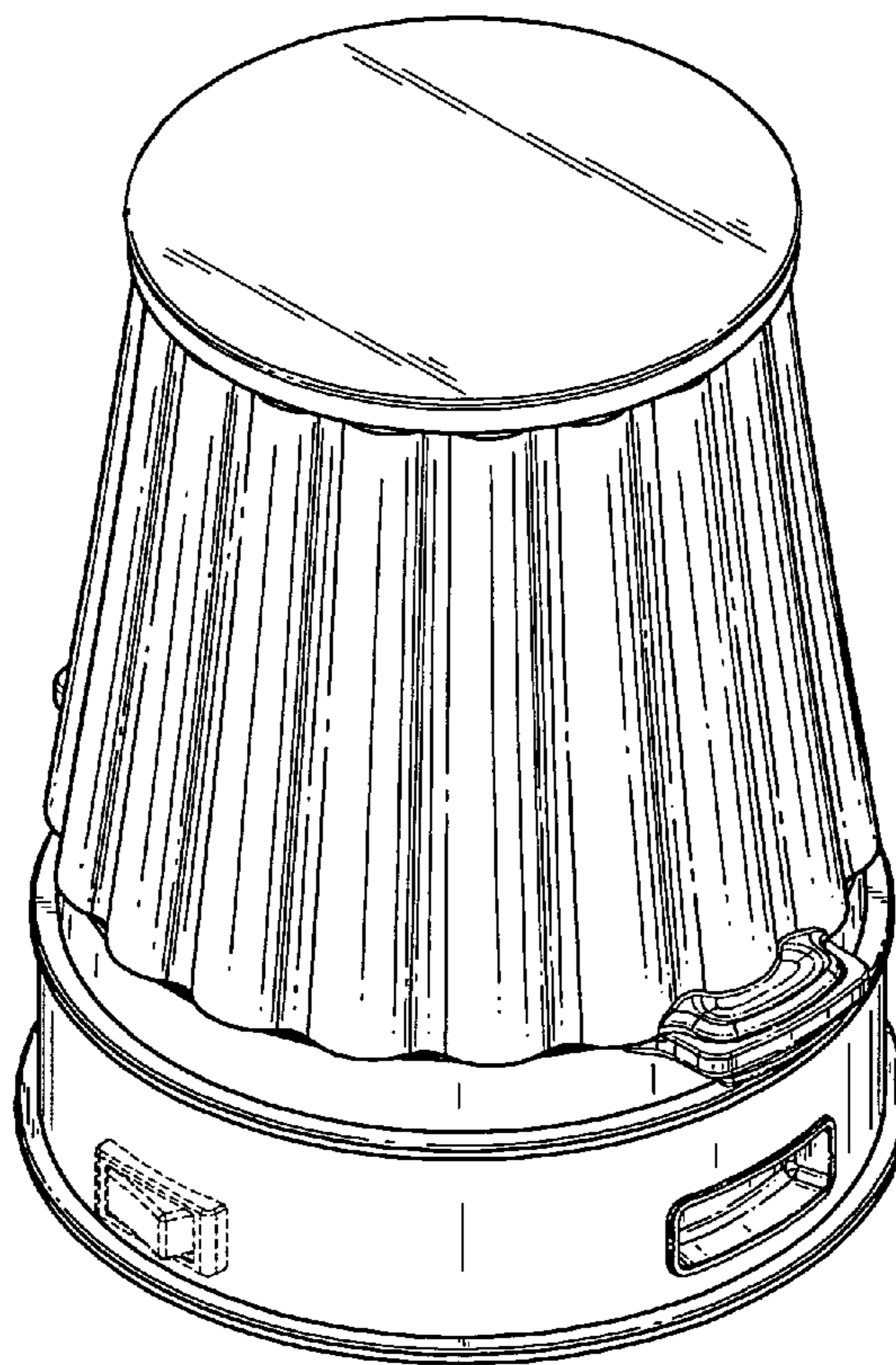
FIG. 5 is a left side view thereof;

FIG. 6 is a top view thereof; and,

FIG. 7 is a bottom view thereof.

The broken lines shown in the drawings are for illustrative purposes only and form no part of the claimed design.

**1 Claim, 4 Drawing Sheets**



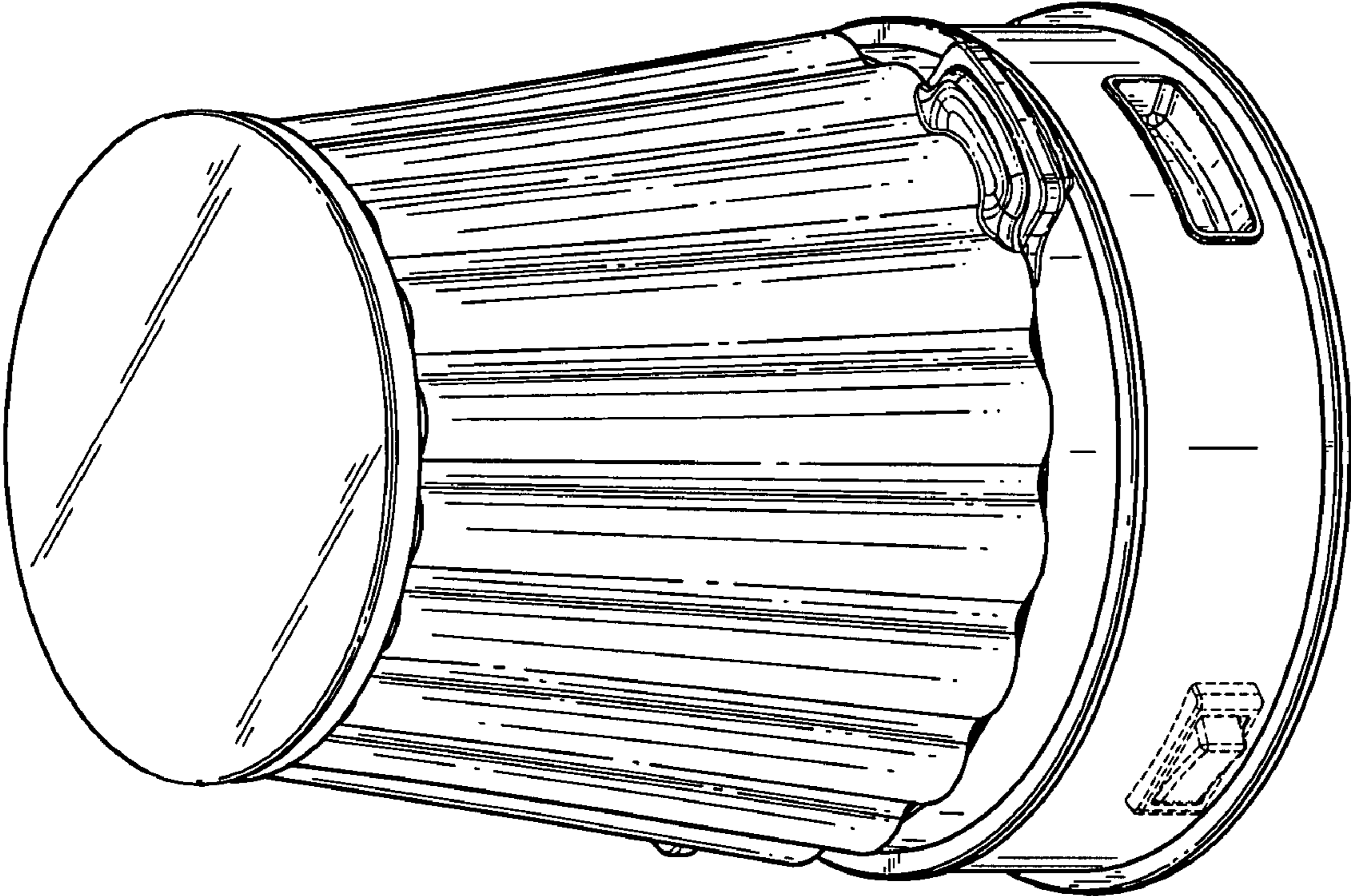


FIG. 1

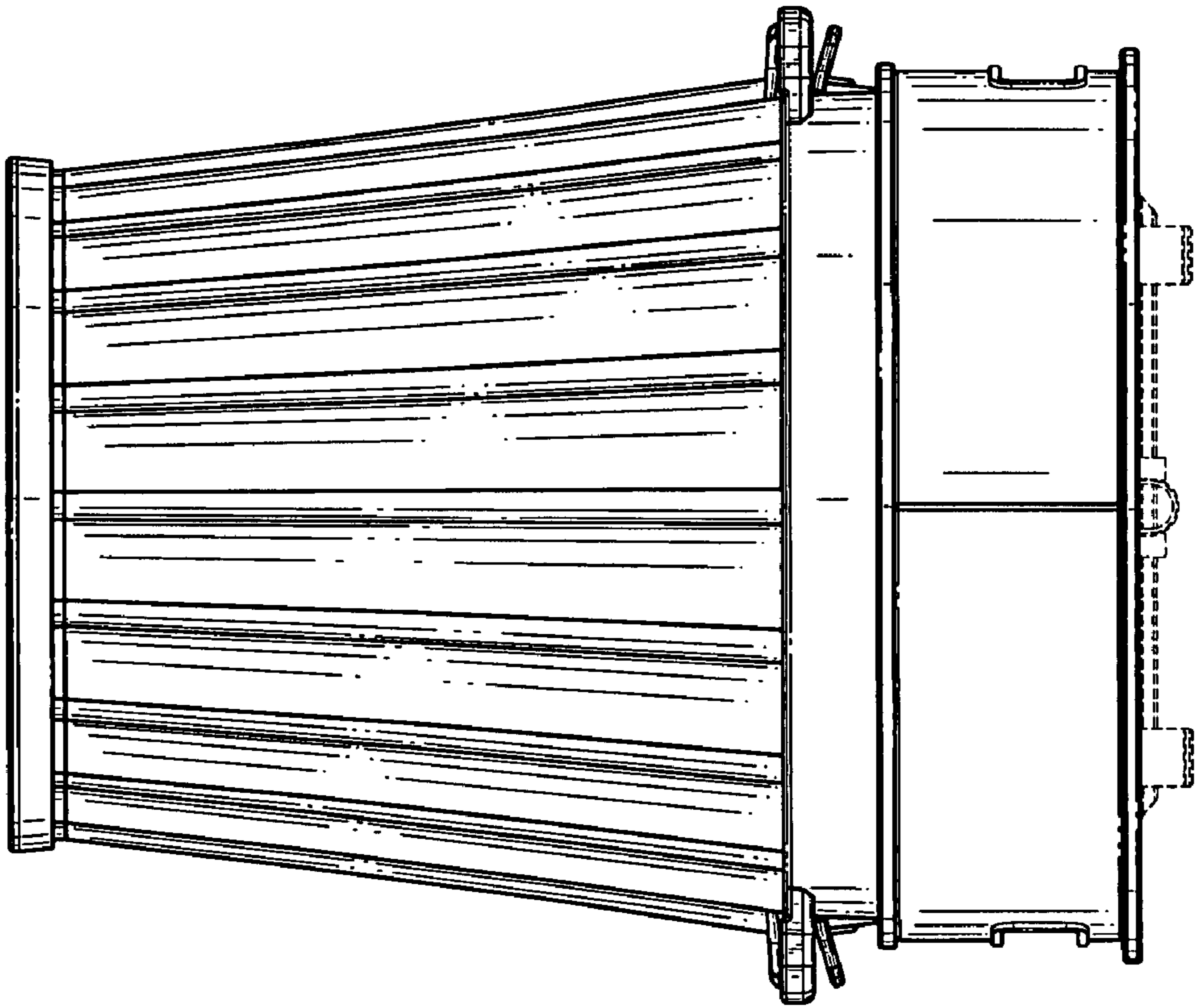


FIG. 3

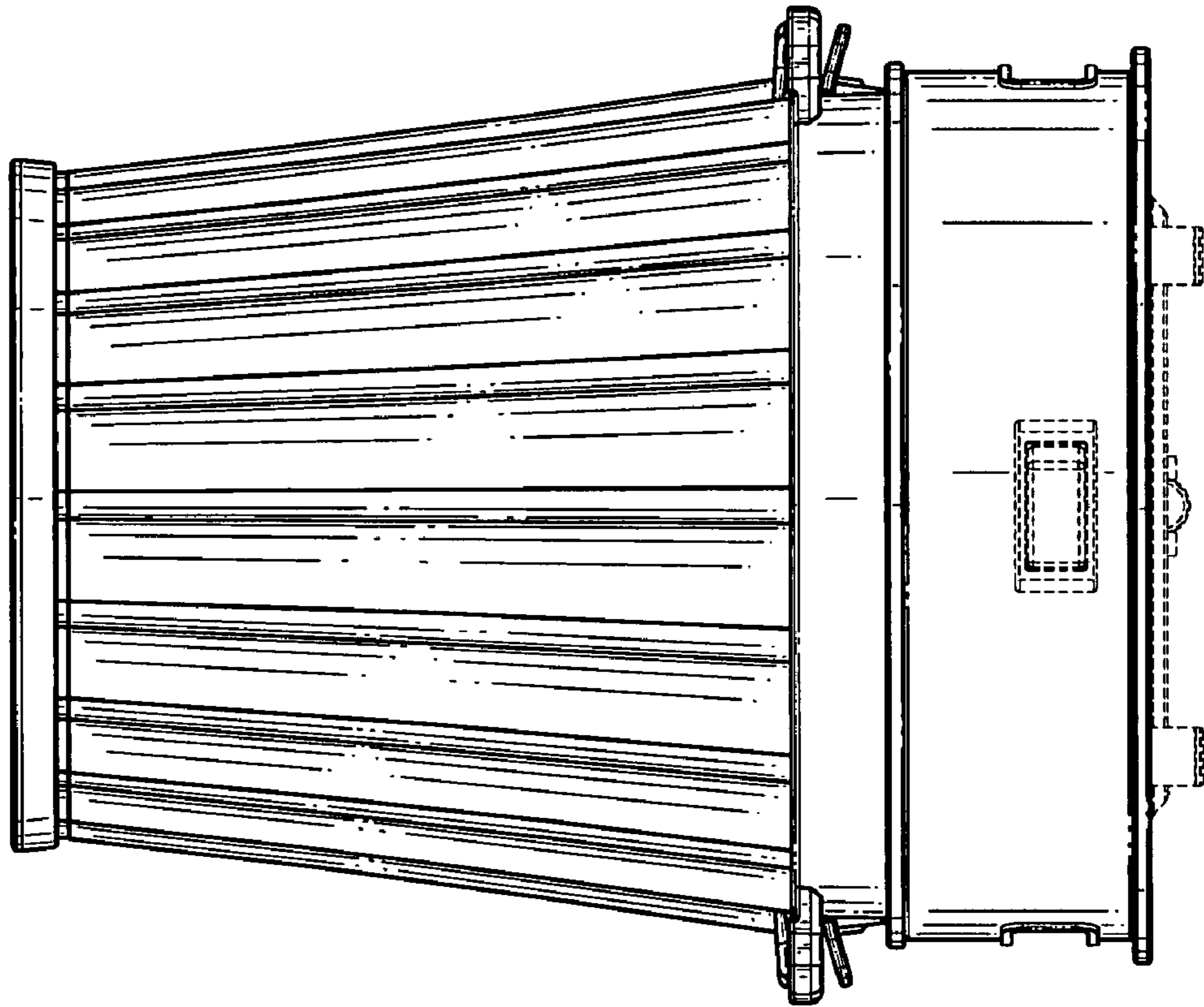


FIG. 2

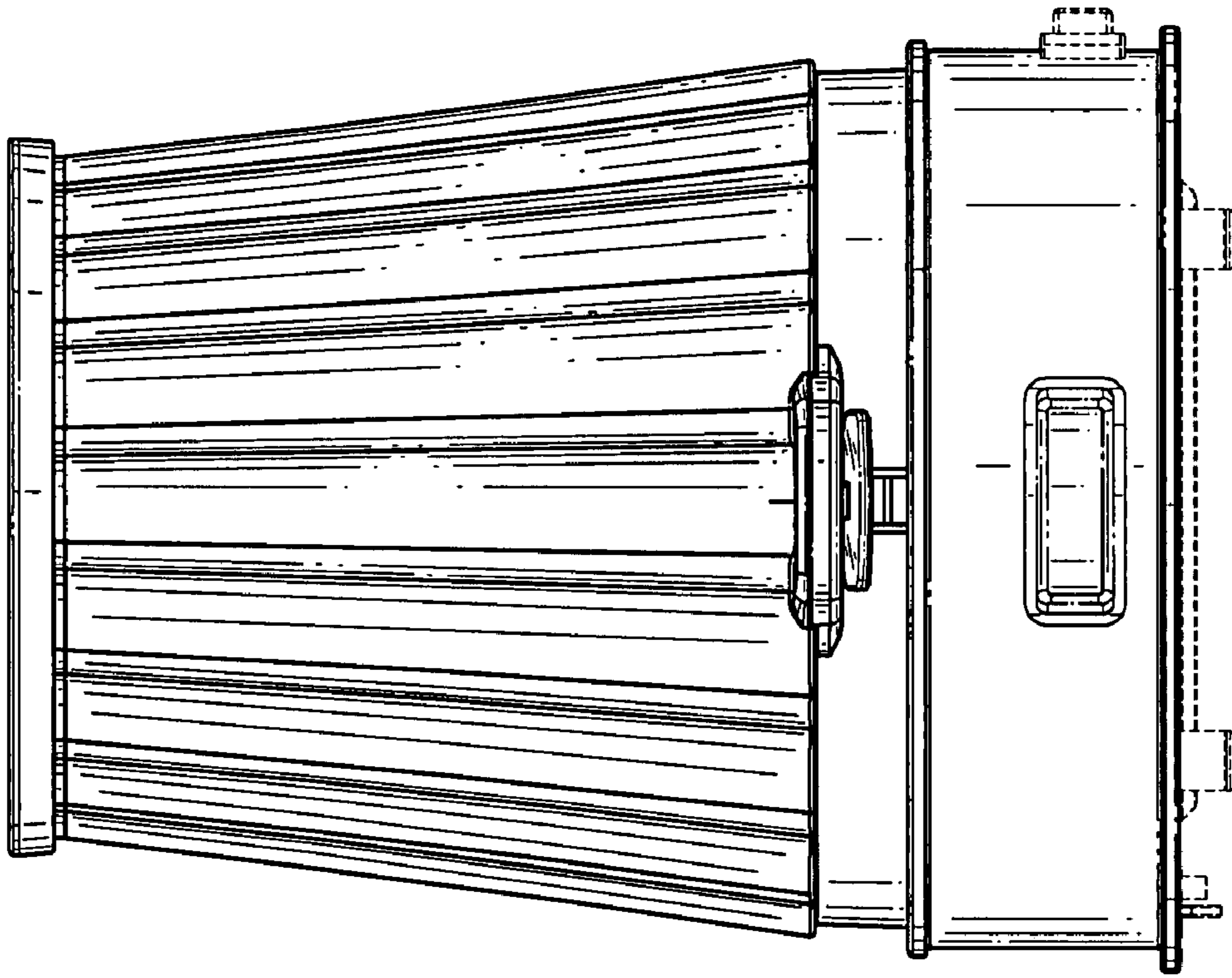


FIG. 5

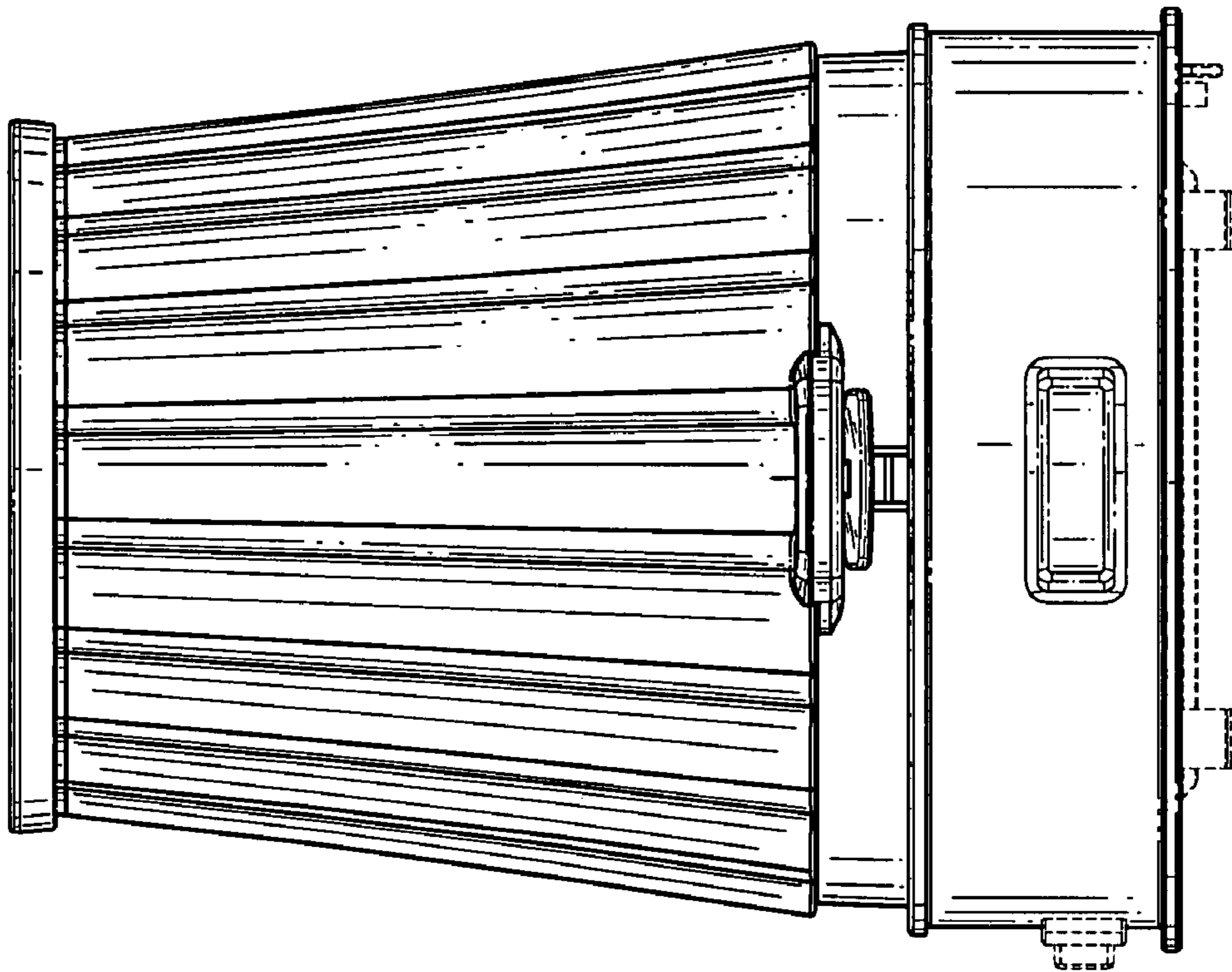


FIG. 4



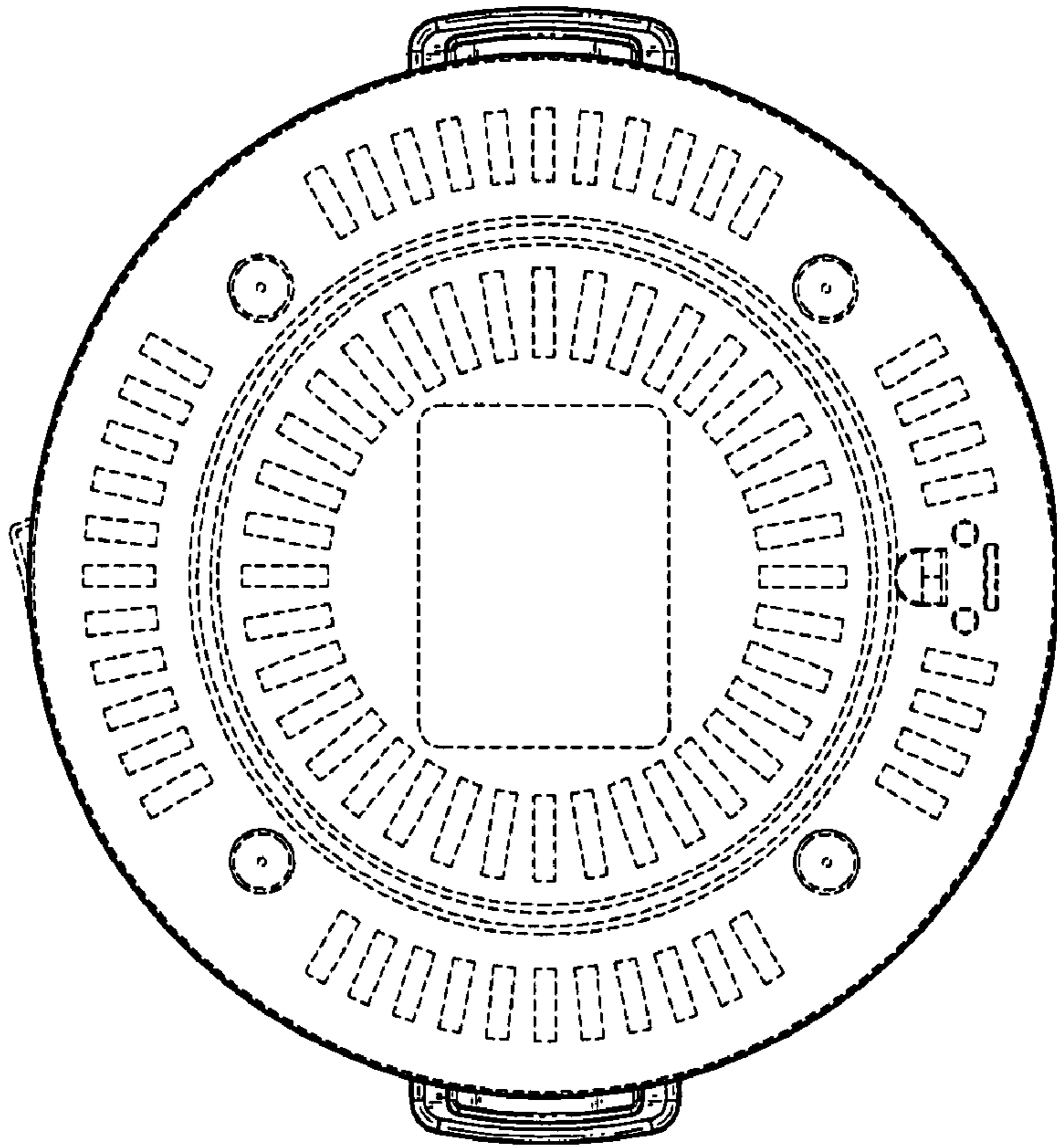


FIG. 7

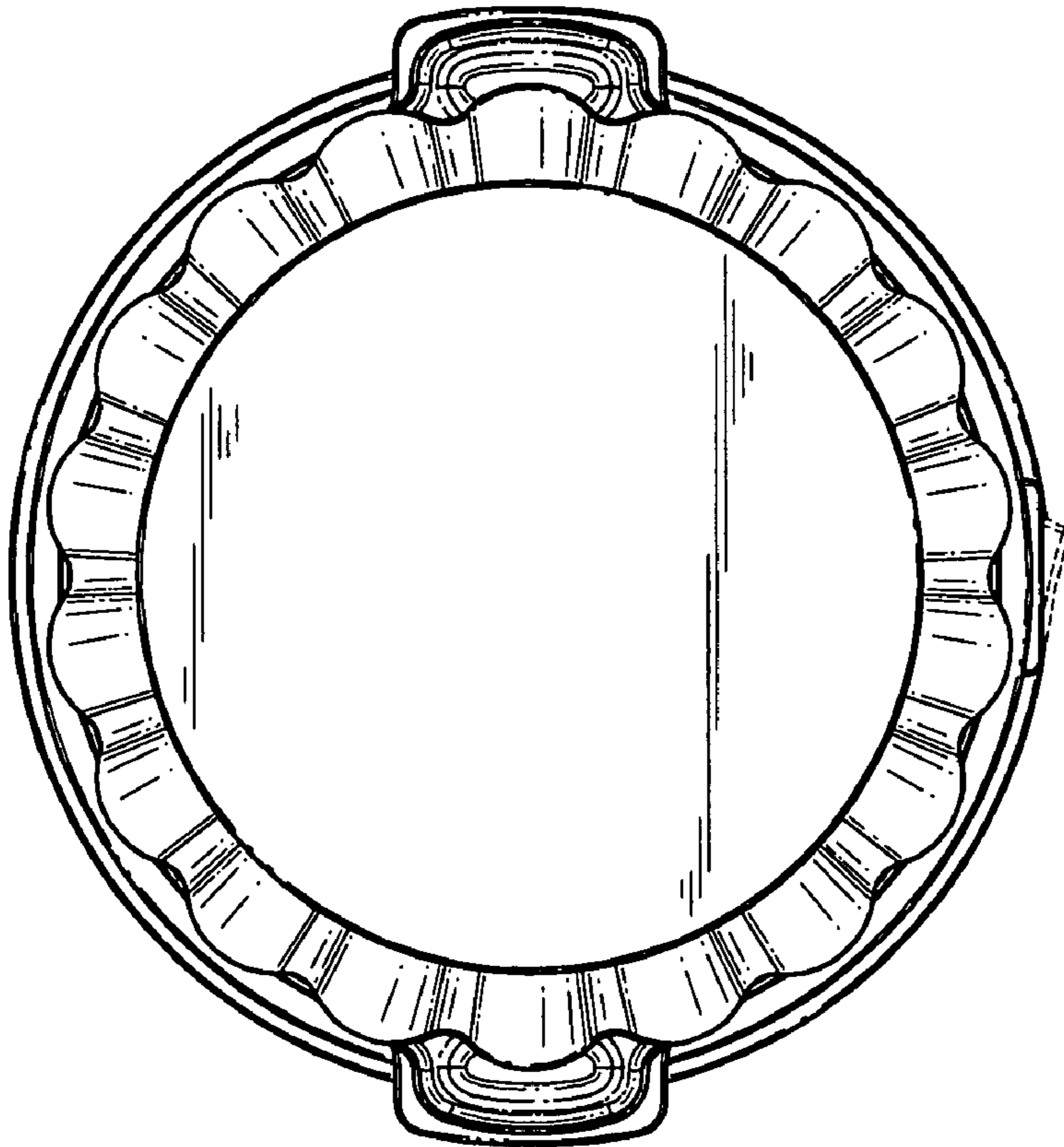


FIG. 6