



US00D567568S

(12) **United States Design Patent**
Bodum

(10) **Patent No.:** **US D567,568 S**
(45) **Date of Patent:** **** Apr. 29, 2008**

(54) **DOUBLE WALL JUG**

(57) **CLAIM**

(75) Inventor: **Jørgen Bodum**, St. Niklausen (CH)

The ornamental design for a double wall jug, as shown and described.

(73) Assignee: **Pi-Design AG**, Triengen (CH)

(**) Term: **14 Years**

DESCRIPTION

(21) Appl. No.: **29/264,797**

(22) Filed: **Aug. 17, 2006**

(30) **Foreign Application Priority Data**

Aug. 4, 2006 (DK) DA 2006 00205

(51) **LOC (8) Cl.** **07-01**

(52) **U.S. Cl.** **D7/316; D7/319**

(58) **Field of Classification Search** D7/300,
D7/316-318, 312; 222/465.1, 478; 220/253,
220/695; 366/130, 247

See application file for complete search history.

FIG. 1 is a perspective view of a first embodiment of the double wall jug showing my design thereof;

FIG. 2 is a front view thereof;

FIG. 3 is a back view thereof;

FIG. 4 is a right side view thereof;

FIG. 5 is a left side view thereof;

FIG. 6 is a top view thereof;

FIG. 7 is a bottom view thereof;

FIG. 8 is a cross-sectional view thereof;

FIG. 9 is a perspective view of a second embodiment of the double wall jug showing my design thereof;

FIG. 10 is a front view thereof;

FIG. 11 is a back view thereof;

FIG. 12 is a right side view thereof;

FIG. 13 is a left side view thereof;

FIG. 14 is a top view thereof;

FIG. 15 is a bottom view thereof;

FIG. 16 is a cross-sectional view thereof;

FIG. 17 is a perspective view of a third embodiment of the double wall jug having a handle, showing my design thereof;

FIG. 18 is a front view thereof;

FIG. 19 is a back view thereof;

FIG. 20 is a right side view thereof;

FIG. 21 is a left side view thereof;

FIG. 22 is a top view thereof;

FIG. 23 is a bottom view thereof; and,

FIG. 24 is a cross-sectional view thereof.

(56) **References Cited**

U.S. PATENT DOCUMENTS

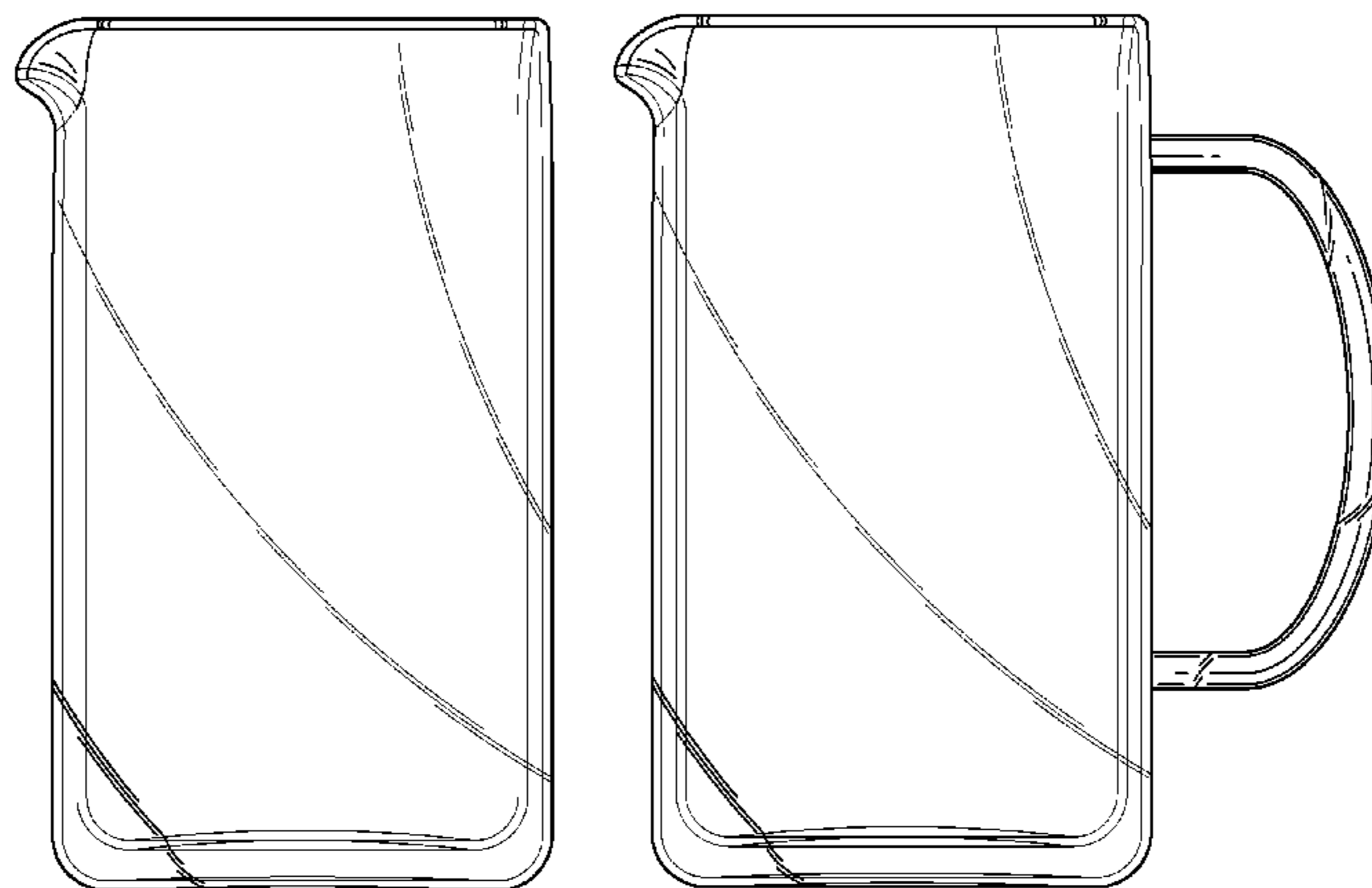
3,269,144	A *	8/1966	Paris	62/457.3
3,677,524	A *	7/1972	Douglas	366/130
3,861,565	A *	1/1975	Rickmeier, Jr.	222/131
D262,855	S *	2/1982	Morin	D7/598
D270,602	S *	9/1983	Fritz	D7/319
D286,364	S *	10/1986	Gecchelin	D7/317
D289,484	S *	4/1987	Forquer et al.	D7/532
D303,904	S *	10/1989	Wolfenden	D7/317
D306,547	S *	3/1990	Wolfenden	D7/317
4,946,286	A *	8/1990	Purkapile	366/247
4,967,939	A *	11/1990	Taylor	222/196
D321,301	S *	11/1991	Purkapile	D7/376

(Continued)

Primary Examiner—Marianne Pandozzi

(74) *Attorney, Agent, or Firm*—Cowan, Liebowitz & Latman, PC

1 Claim, 24 Drawing Sheets



US D567,568 S

Page 2

U.S. PATENT DOCUMENTS

D321,623 S *	11/1991	Sun	D7/317	D475,252 S *	6/2003	Lynd	D7/622
5,407,270 A *	4/1995	Barile et al.	366/247	D476,520 S *	7/2003	Bodum	D7/319
5,425,579 A *	6/1995	Sampson	366/130	D498,638 S *	11/2004	Morrison	D7/319
D368,404 S *	4/1996	Zive	D7/318	6,913,165 B2 *	7/2005	Linz et al.	220/568
D398,474 S *	9/1998	Wagner	D7/305	D542,078 S *	5/2007	Bodum	D7/319
D405,641 S *	2/1999	Brady	D7/319	D553,418 S *	10/2007	Sortore et al.	D7/319
6,079,316 A *	6/2000	Barden et al.	99/297	D555,416 S *	11/2007	Bodum	D7/317
D430,777 S *	9/2000	Husted	D7/511	D557,978 S *	12/2007	Bodum	D7/399
6,224,253 B1 *	5/2001	Dixon	366/247	7,314,307 B2 *	1/2008	Cai et al.	366/273
6,394,322 B1 *	5/2002	Sekiya et al.	222/465.1					

* cited by examiner

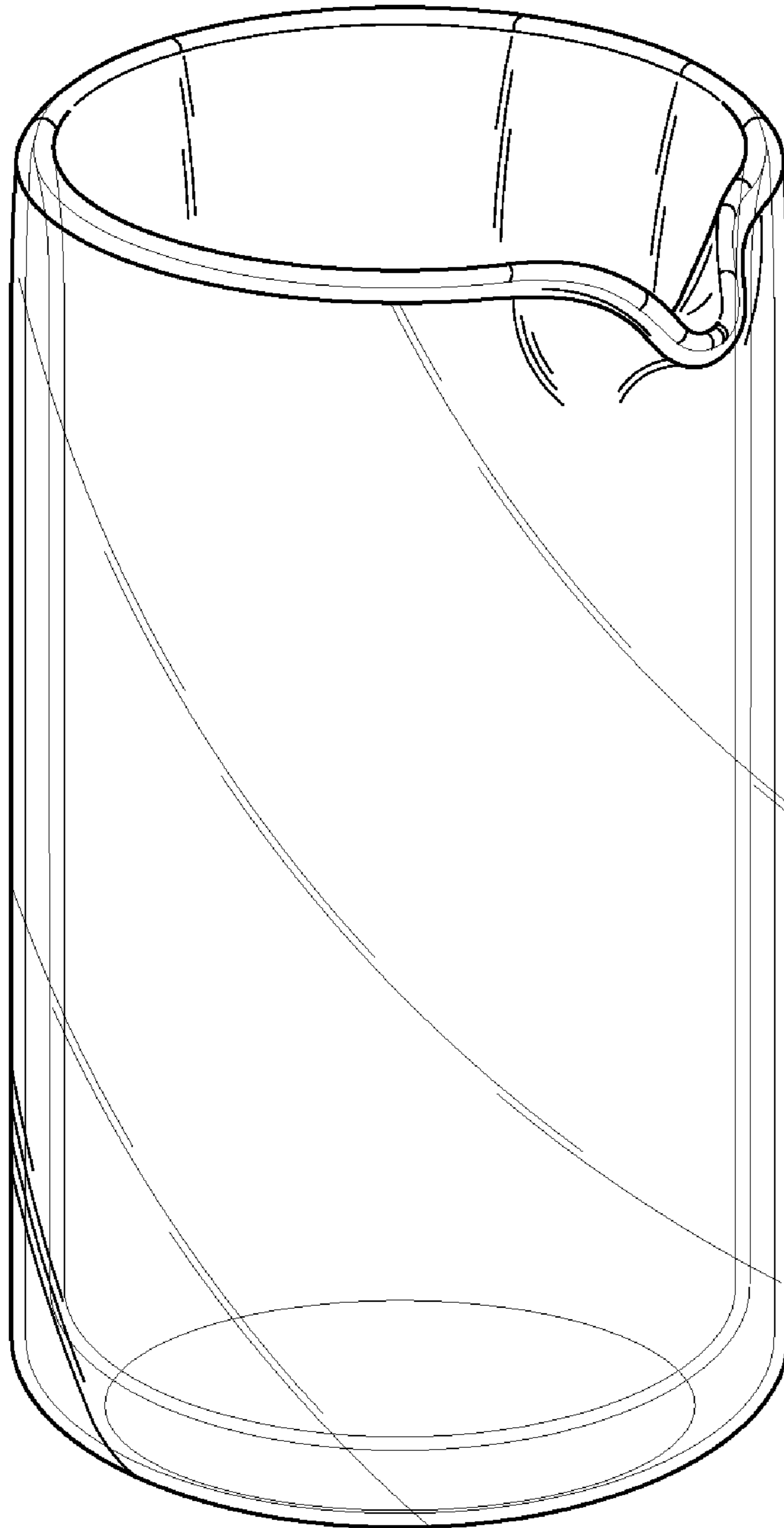


FIG. 1

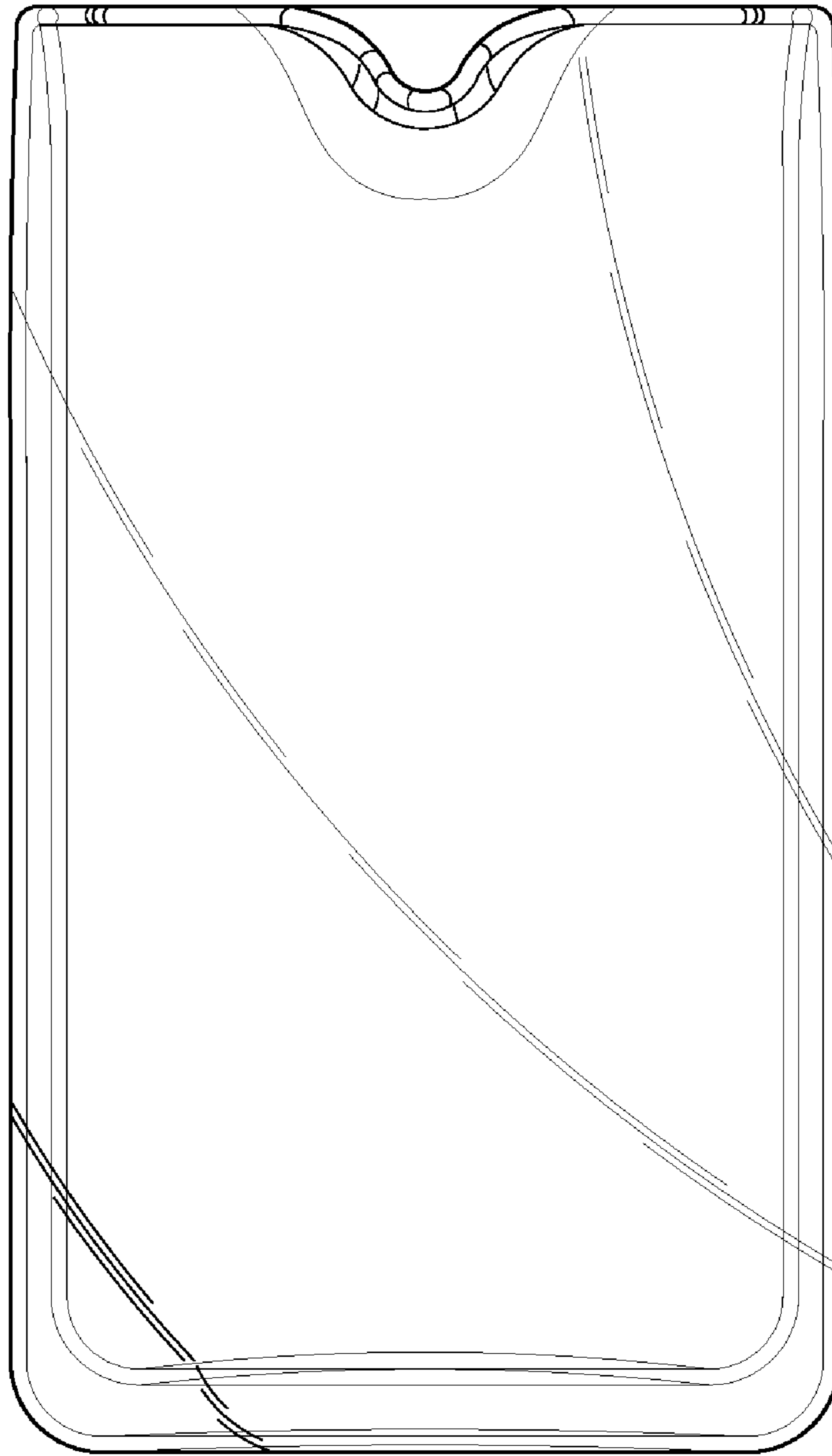


FIG. 2

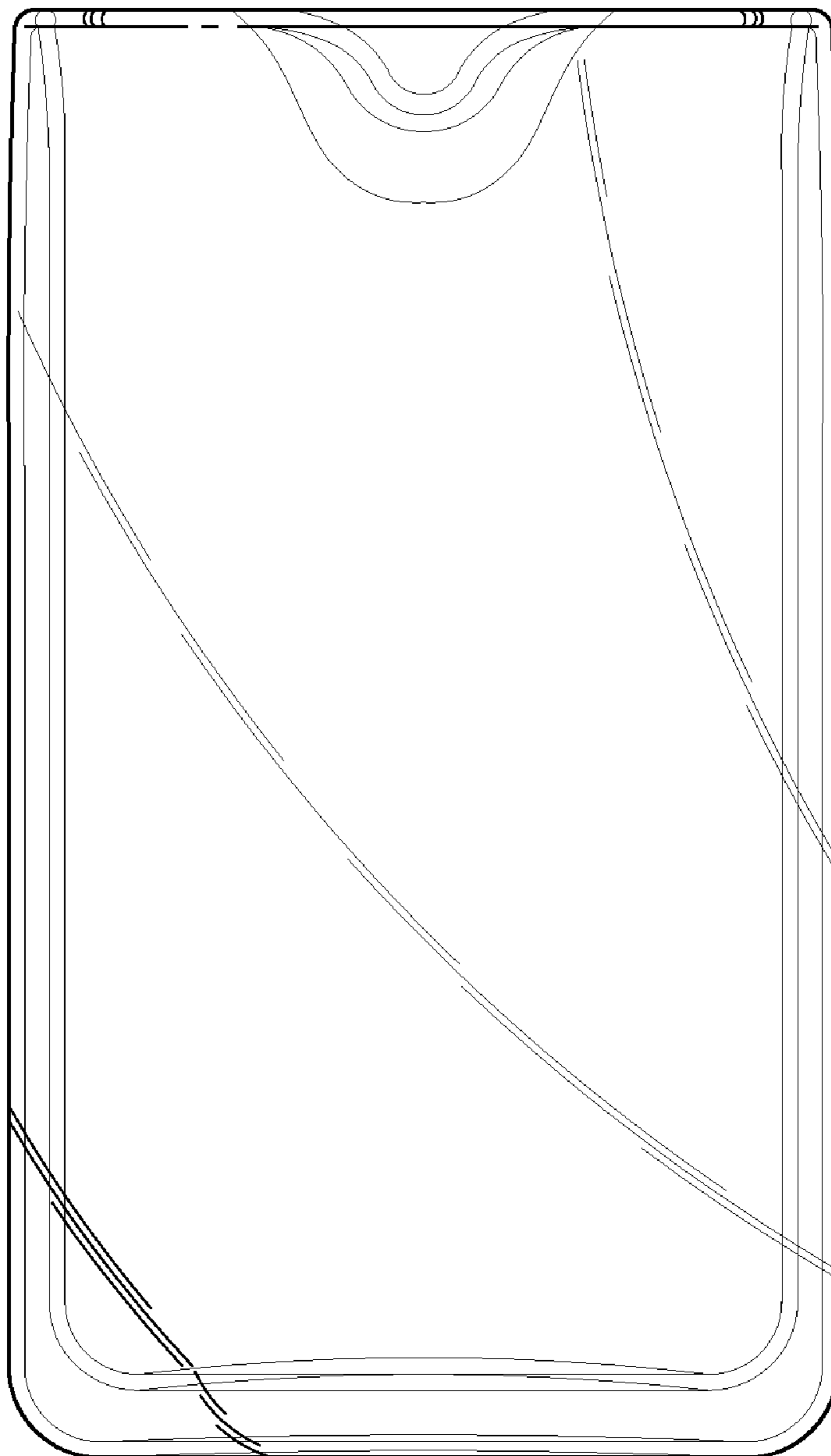


FIG. 3

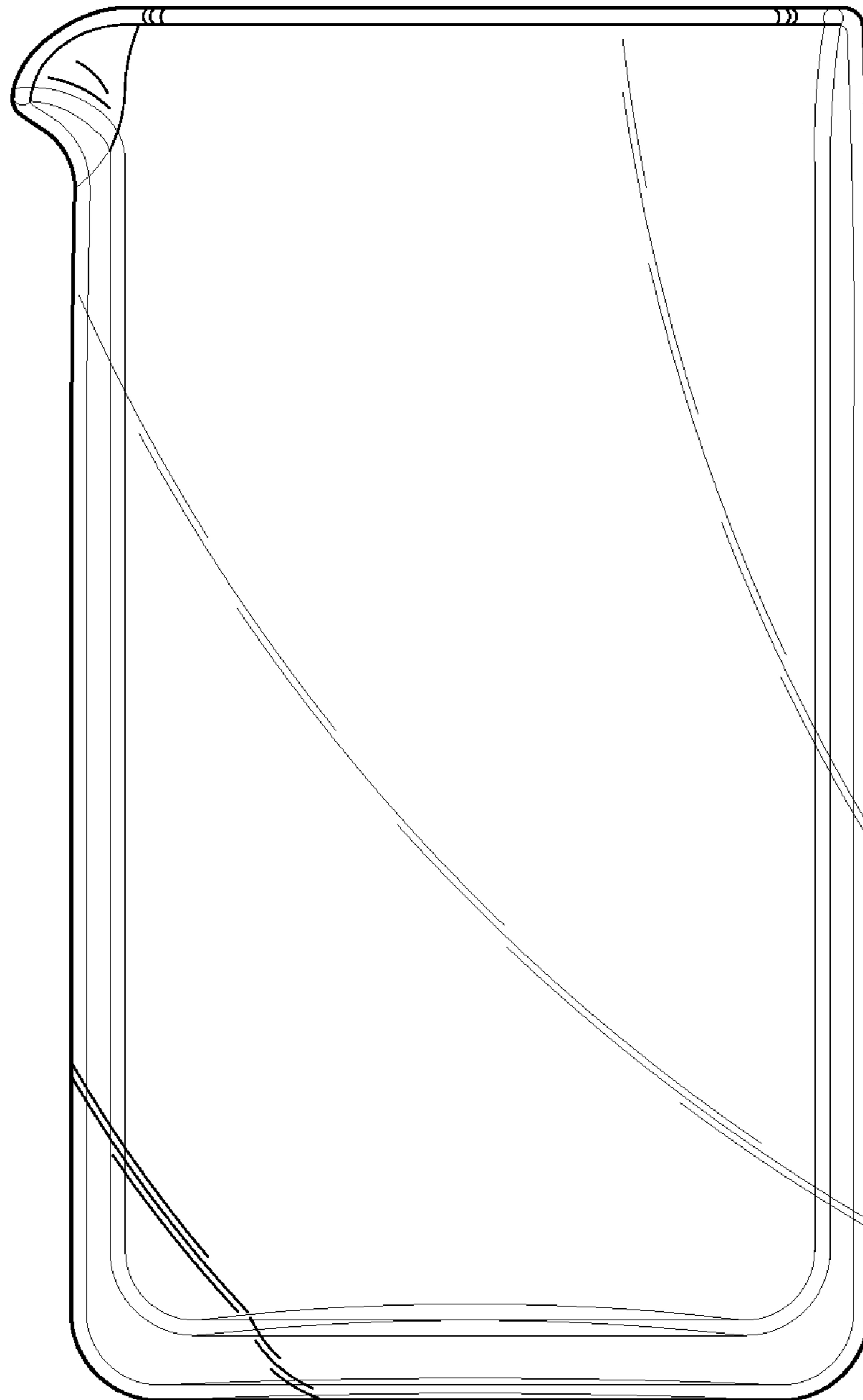


FIG. 4

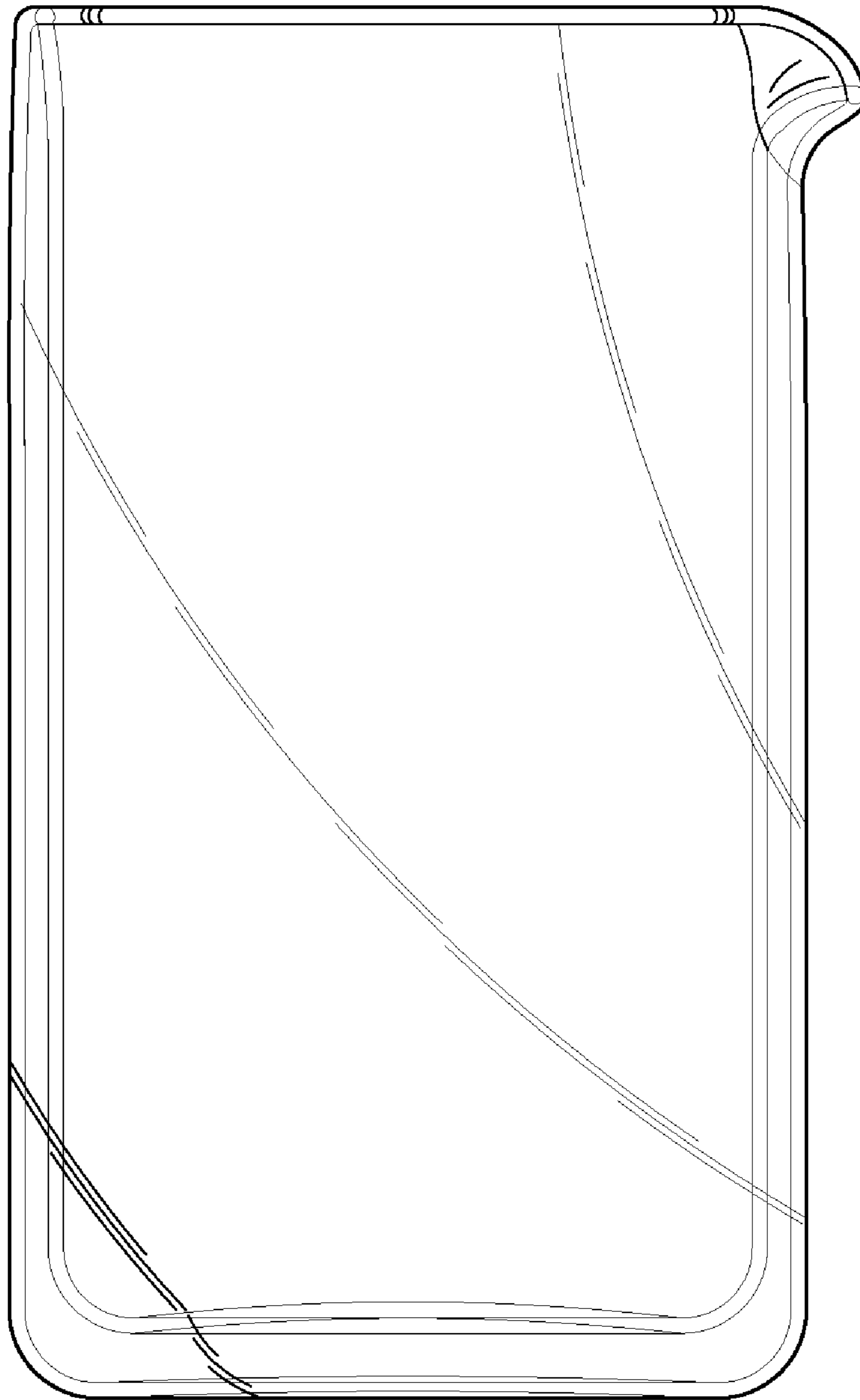


FIG. 5

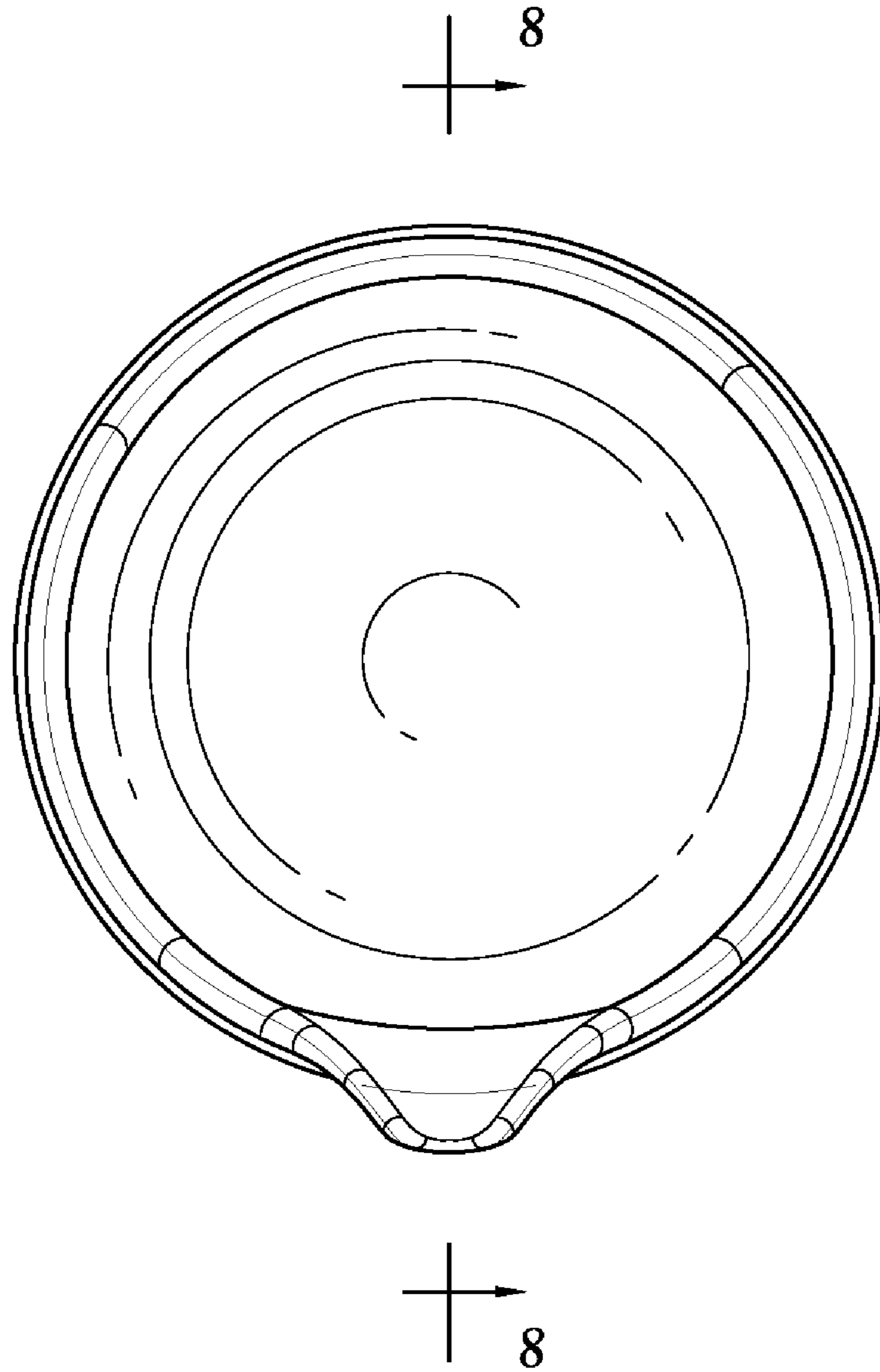


FIG. 6

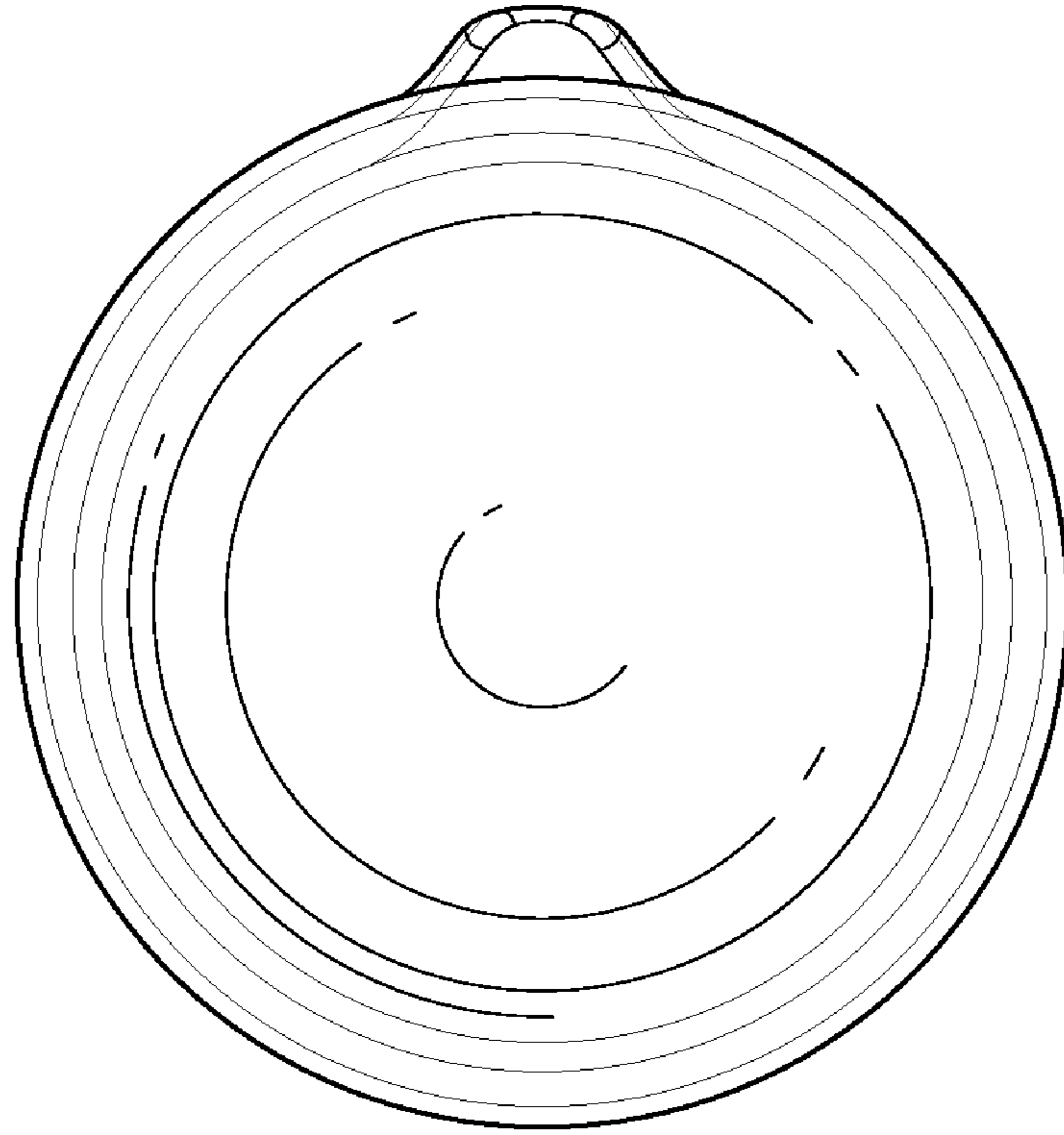


FIG. 7

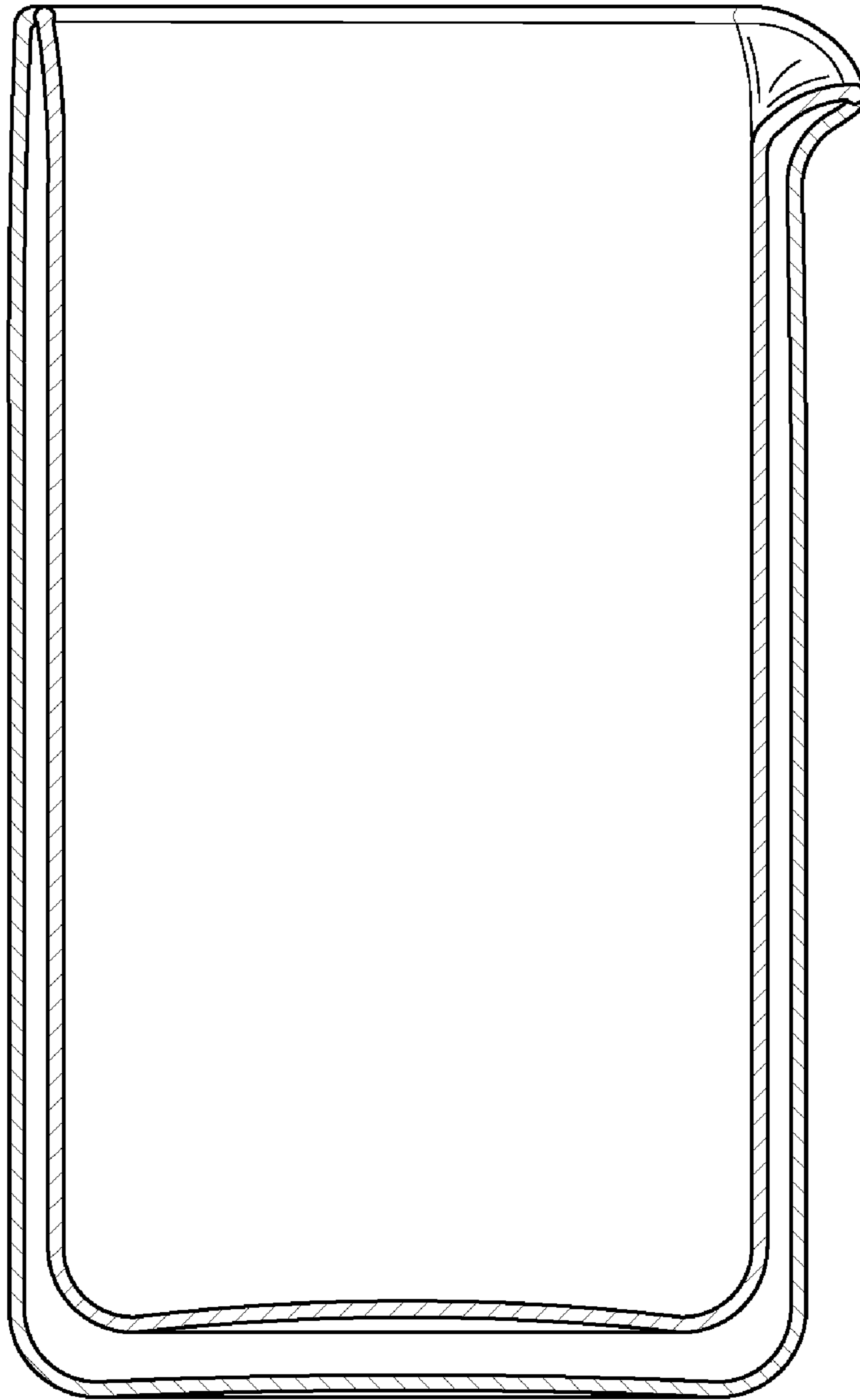


FIG. 8

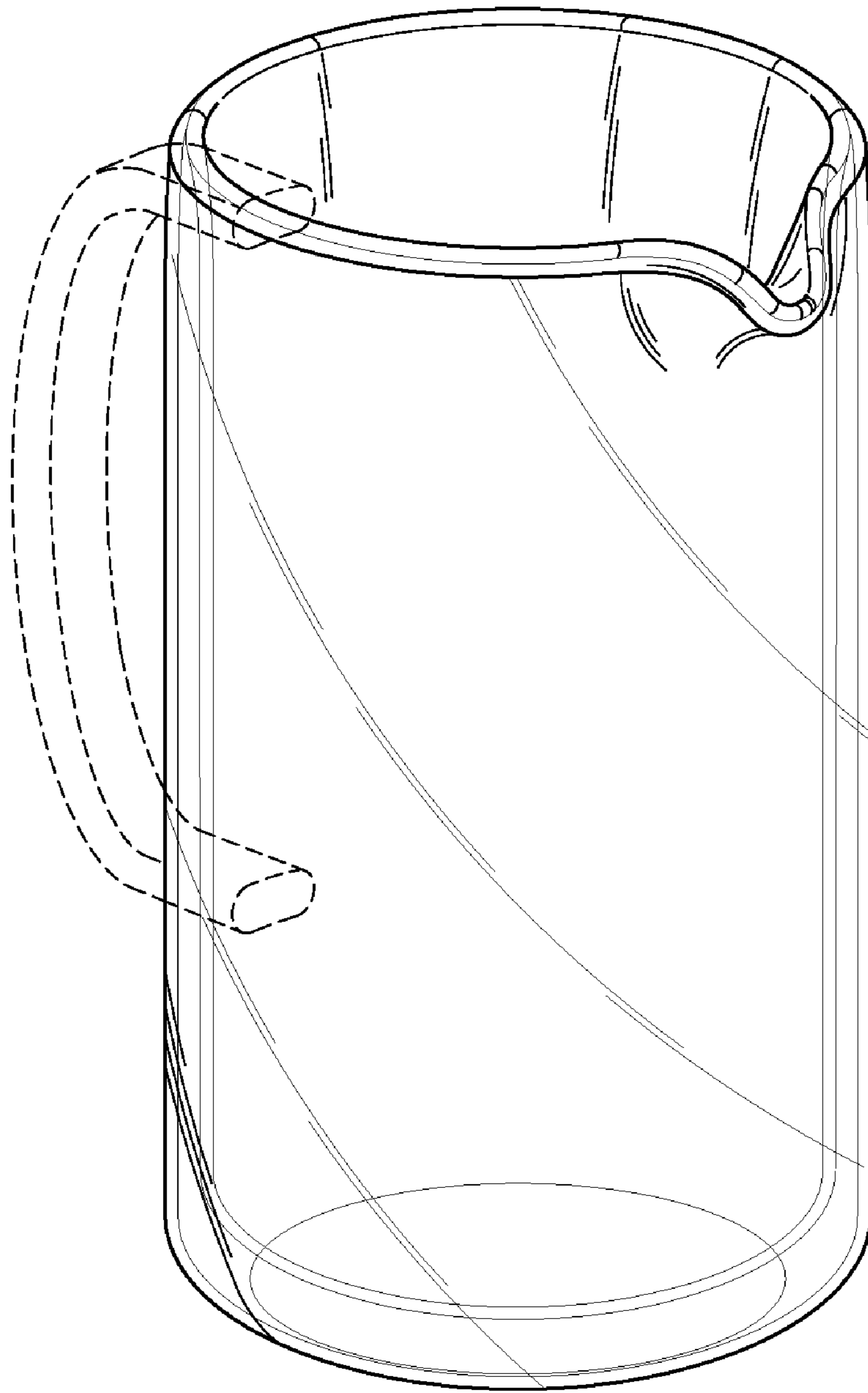


FIG. 9

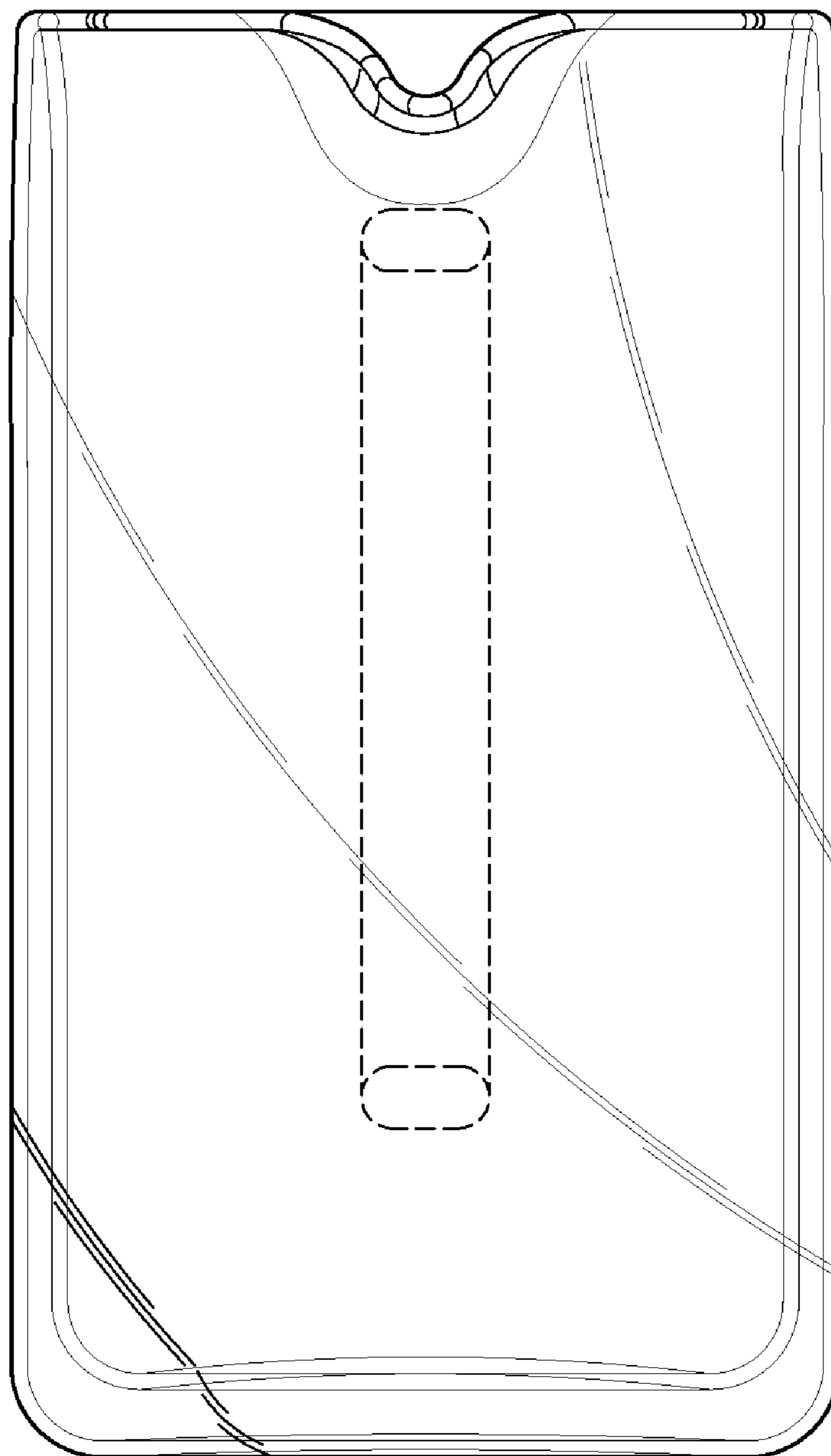


FIG. 10

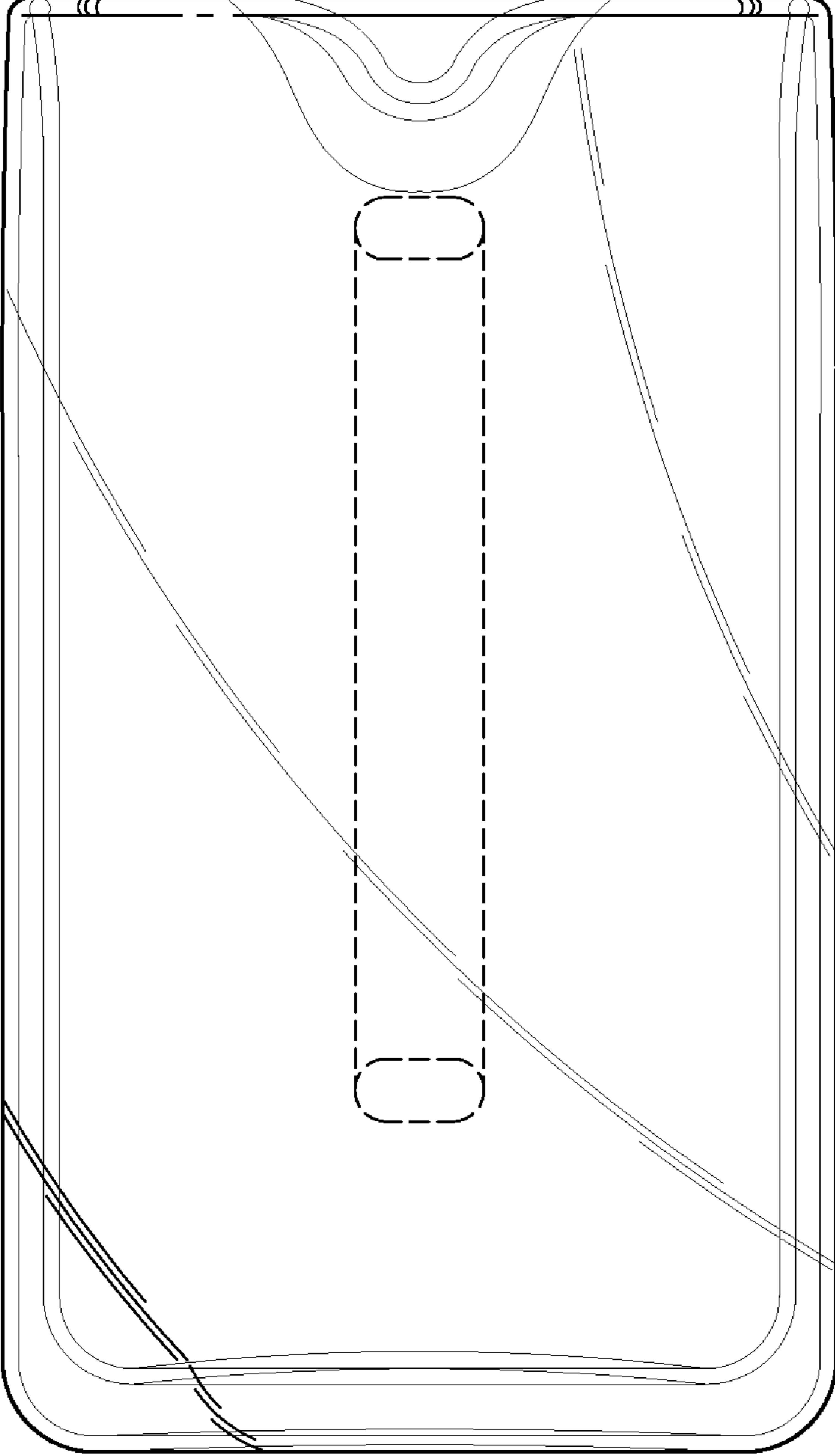


FIG. 11

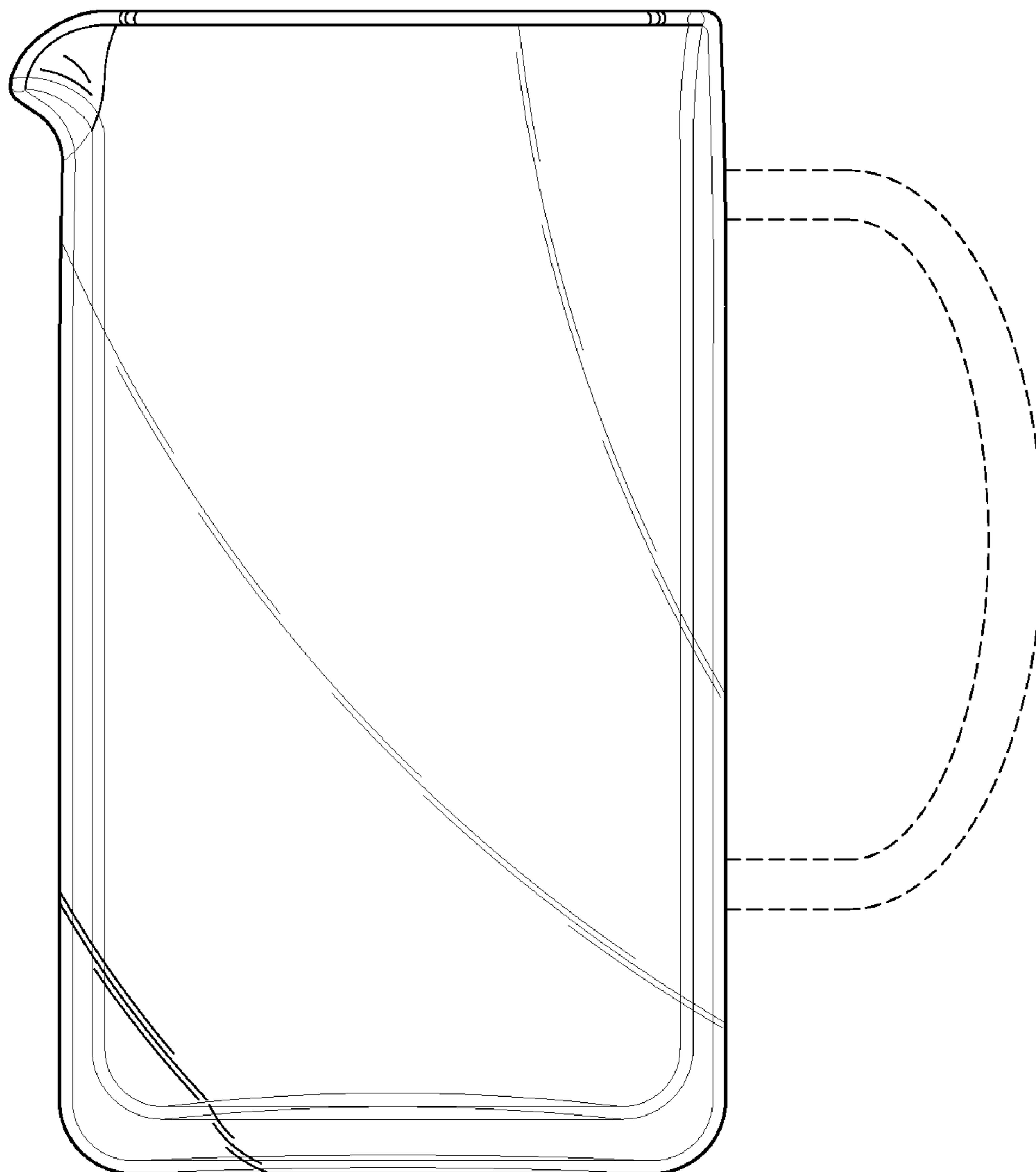


FIG. 12

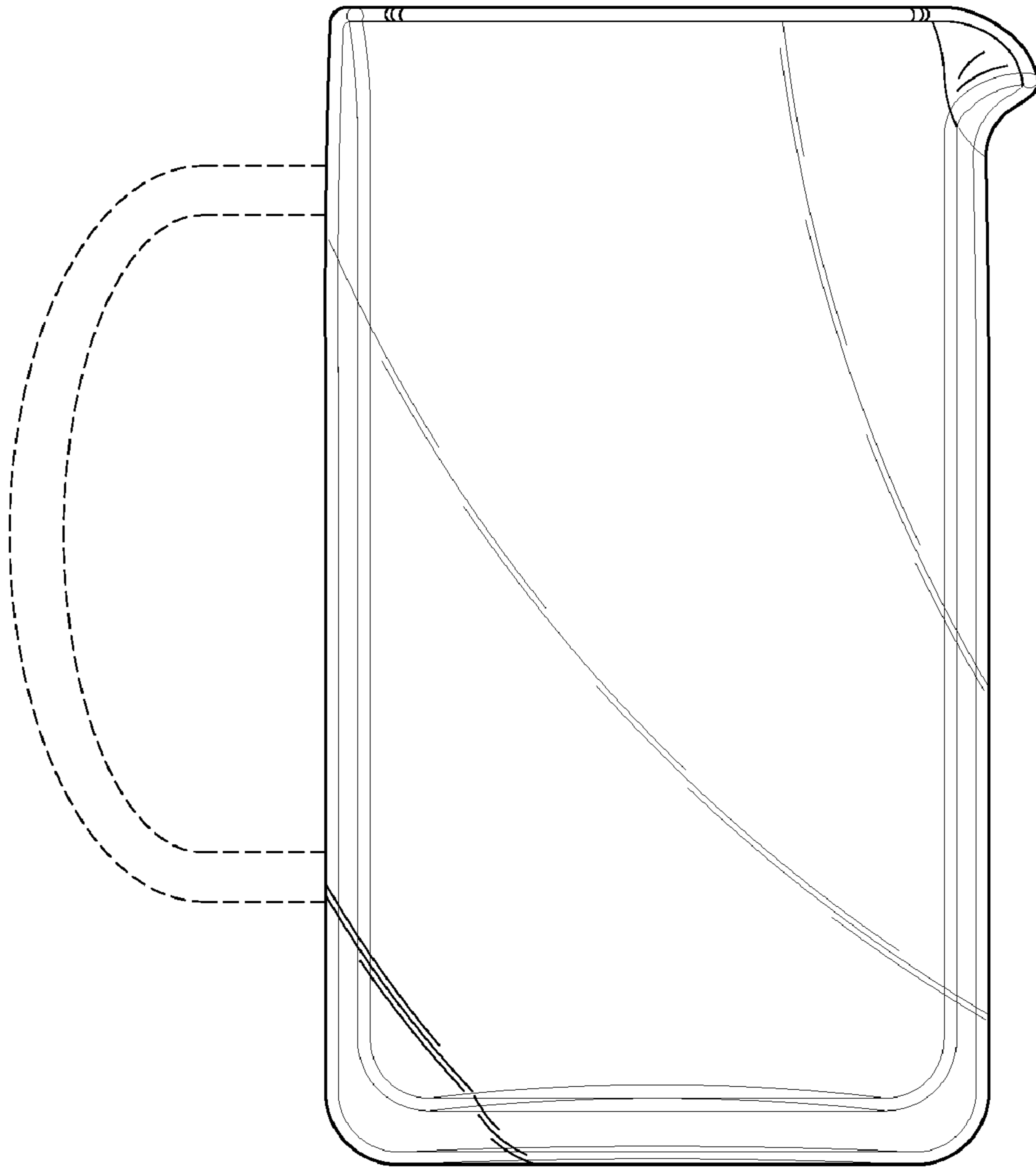


FIG. 13

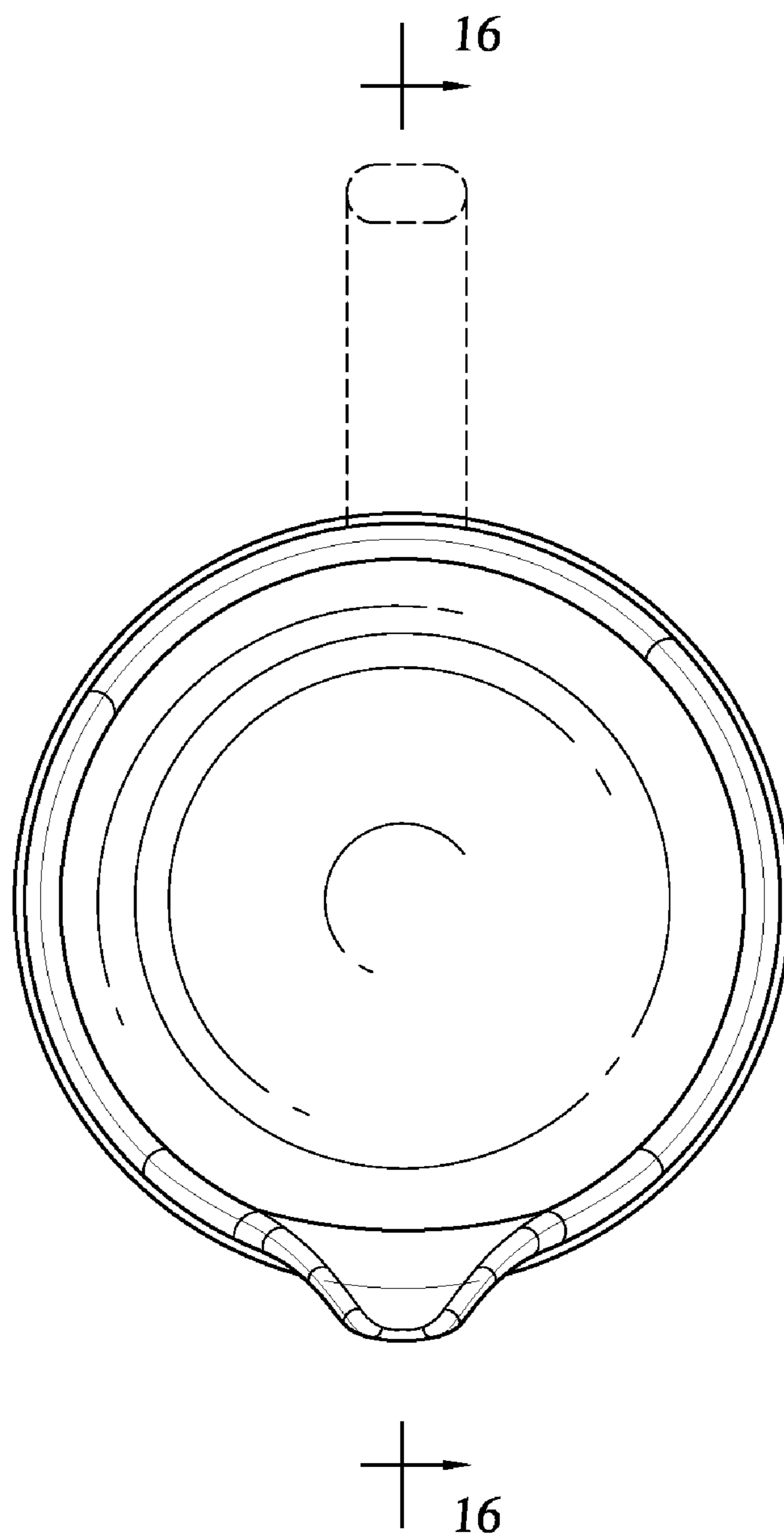


FIG. 14

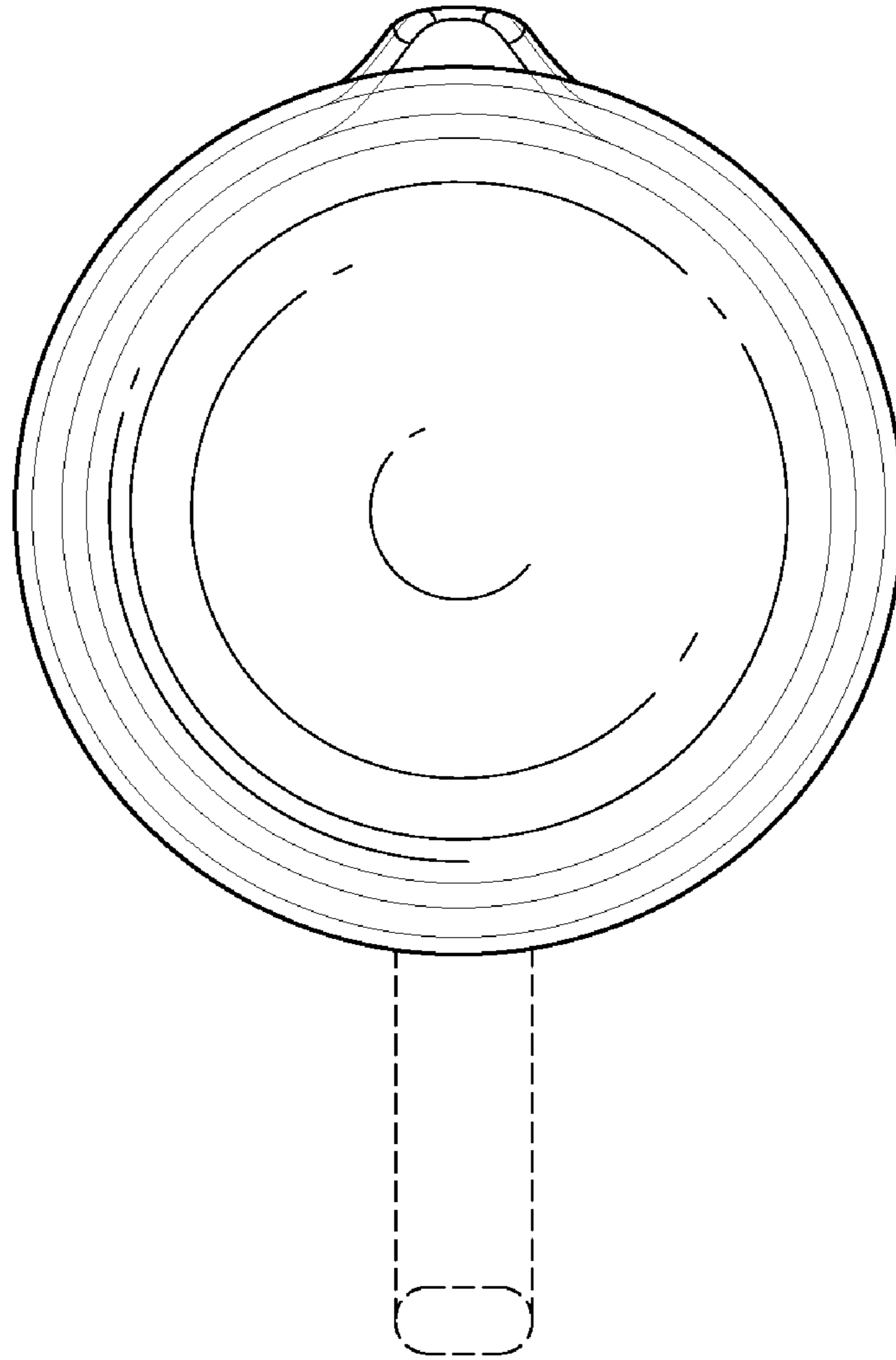


FIG. 15

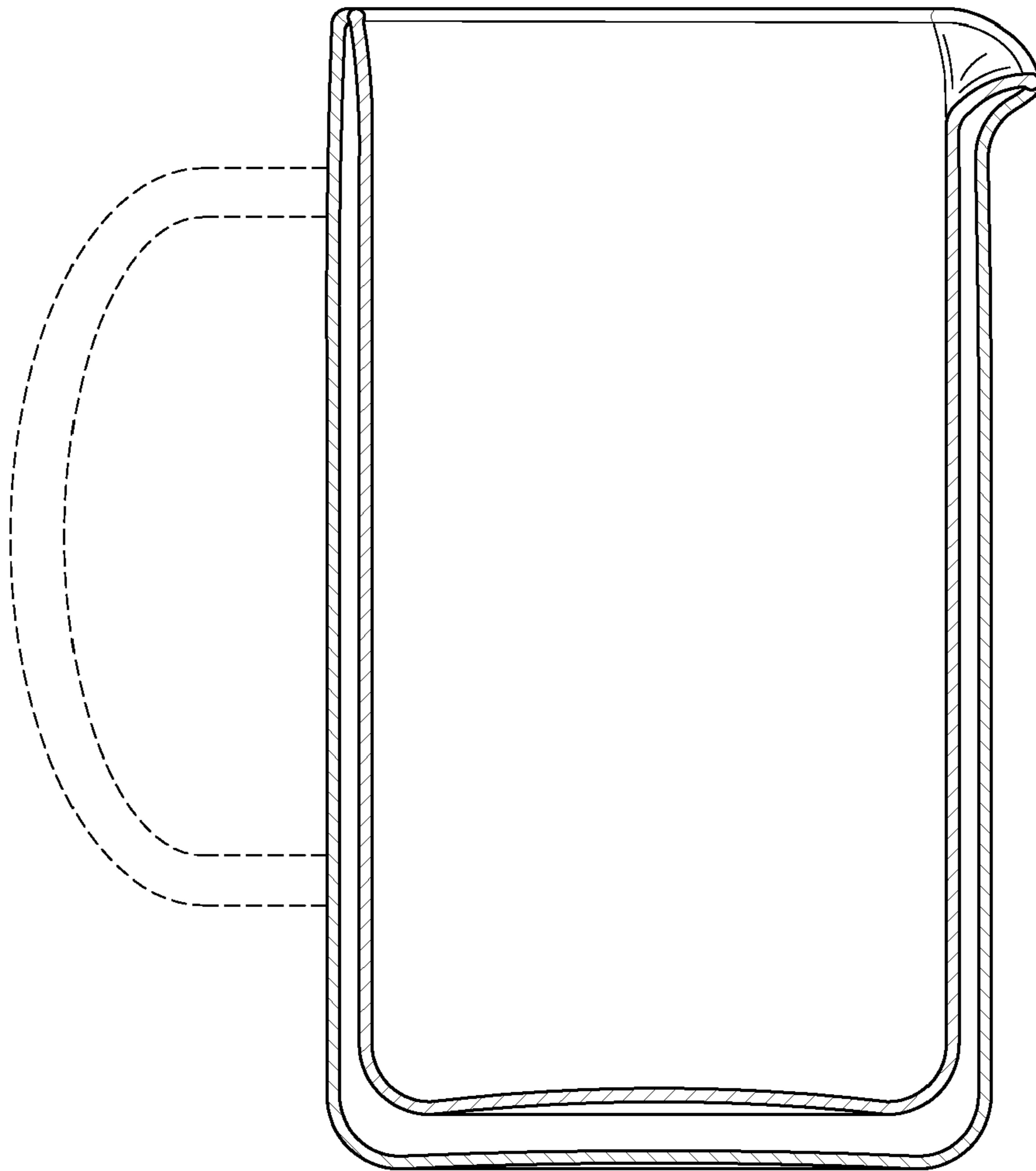


FIG. 16



FIG. 17

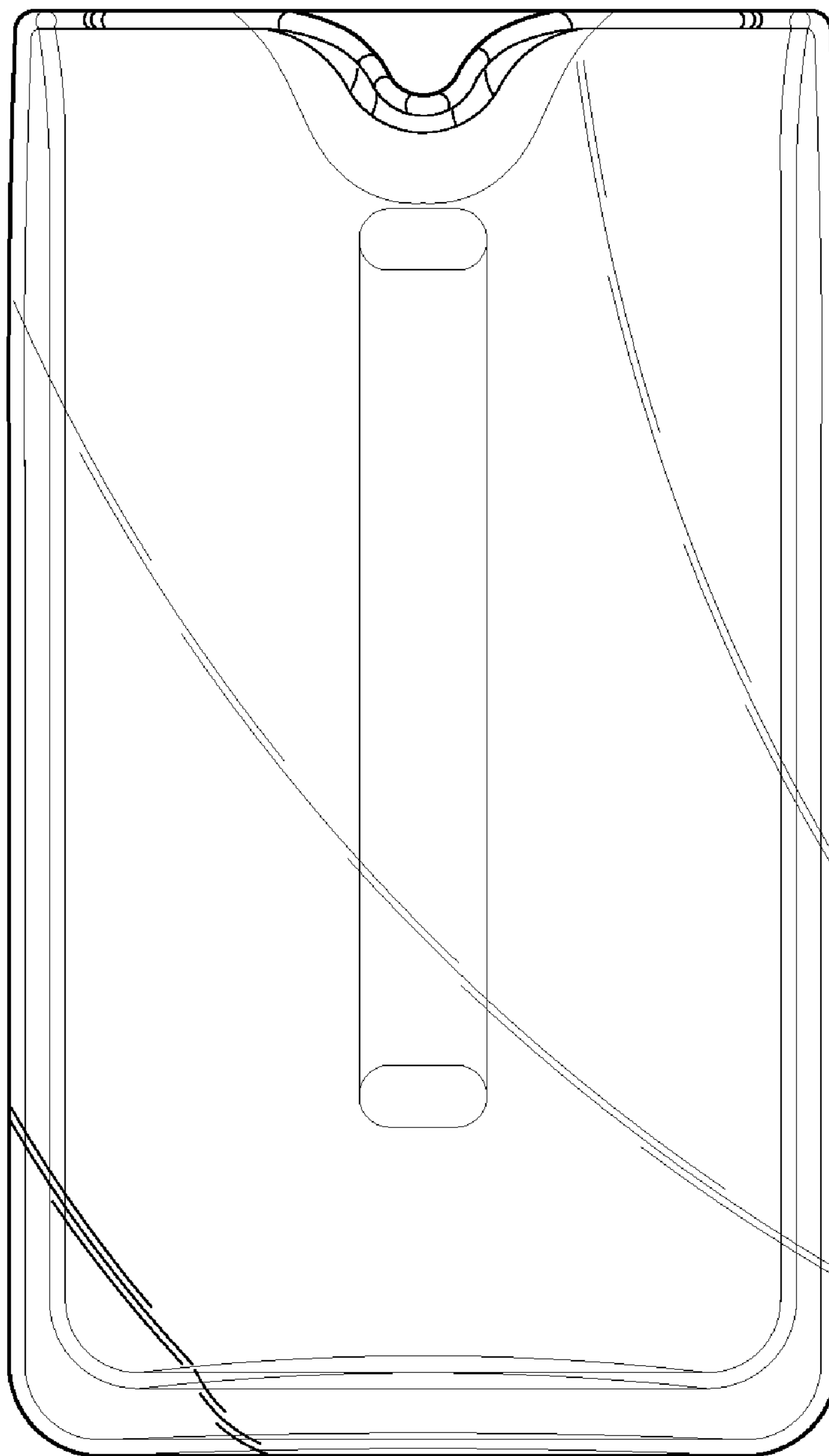


FIG. 18

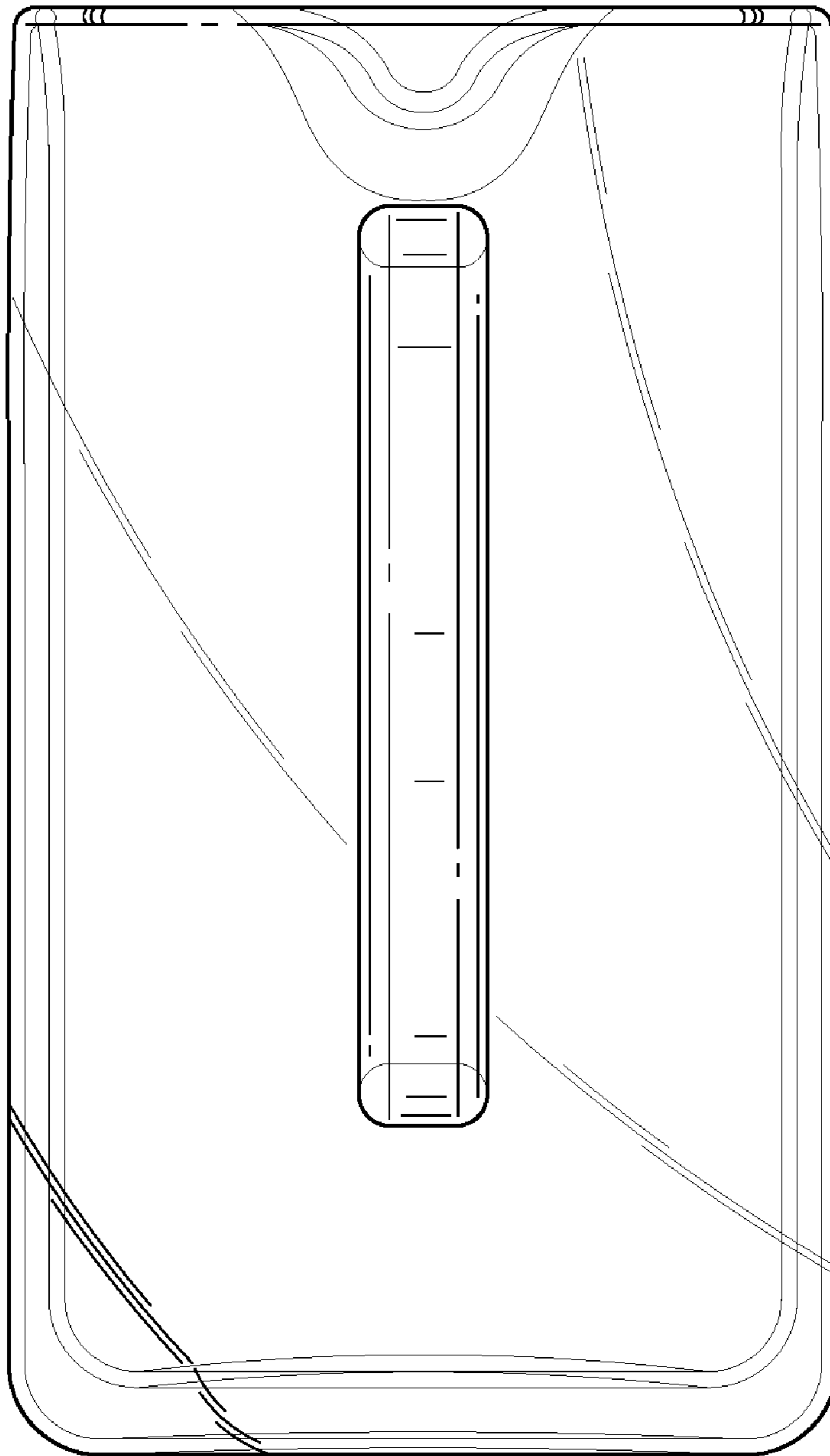


FIG. 19

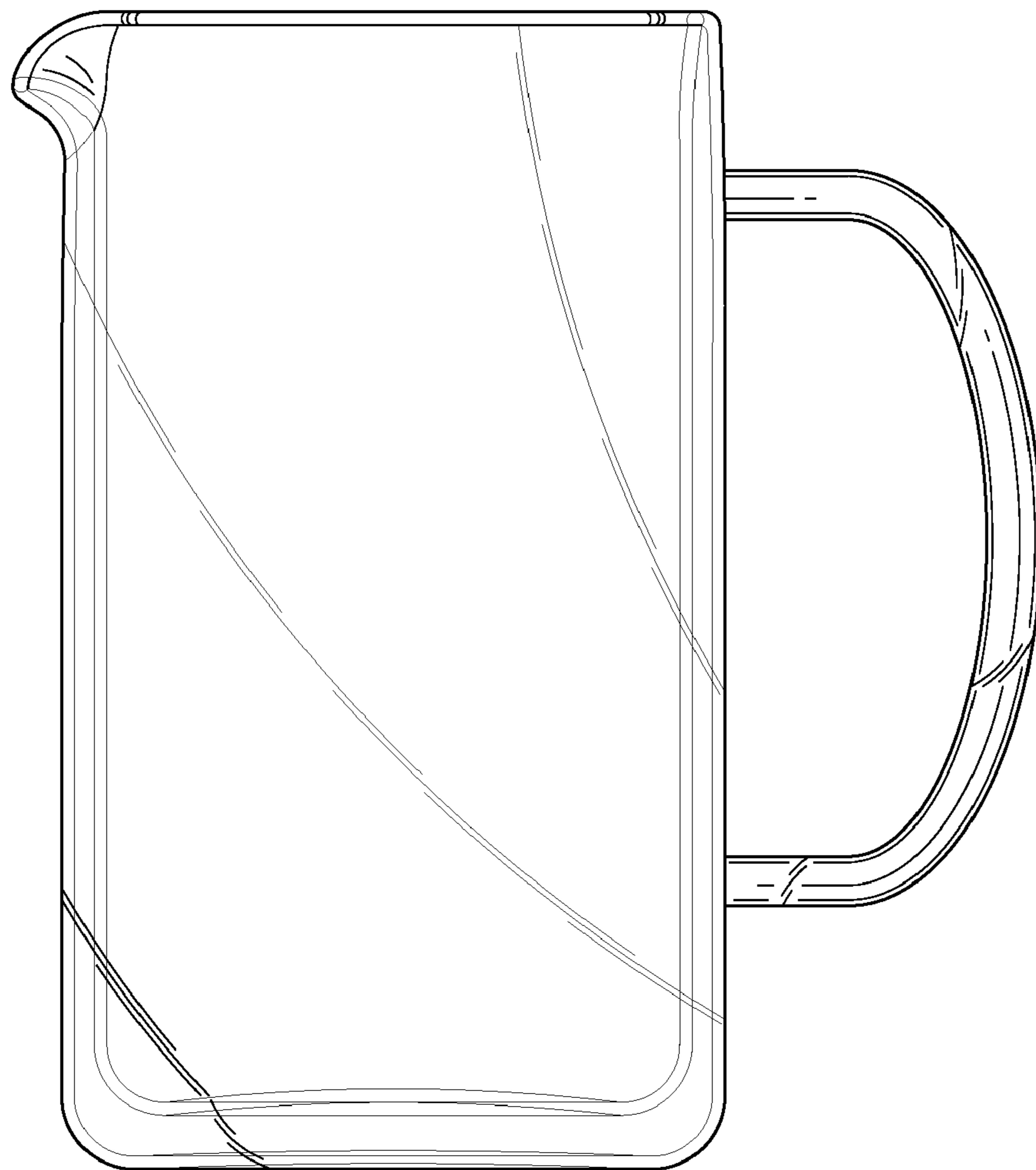


FIG. 20

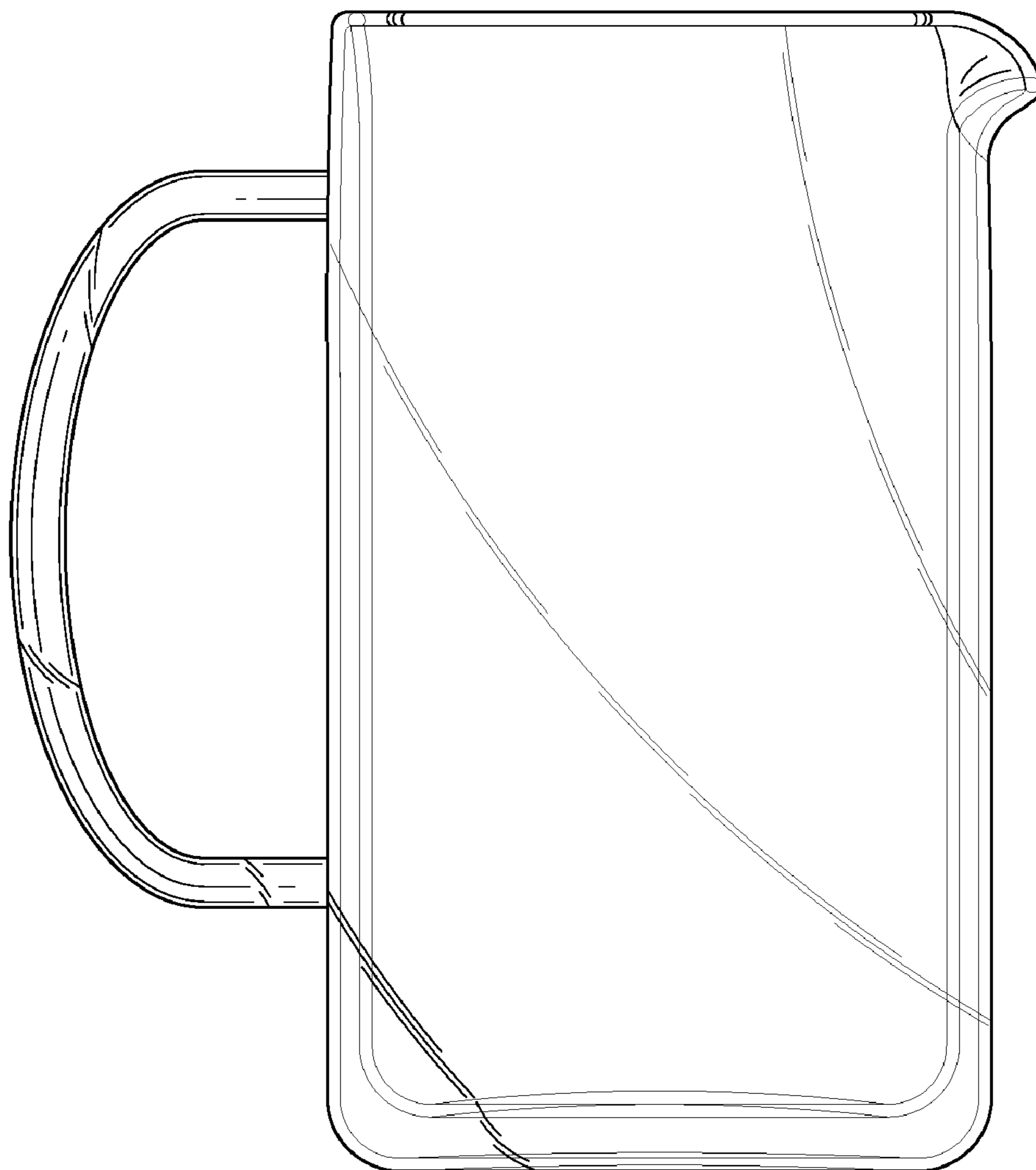


FIG. 21

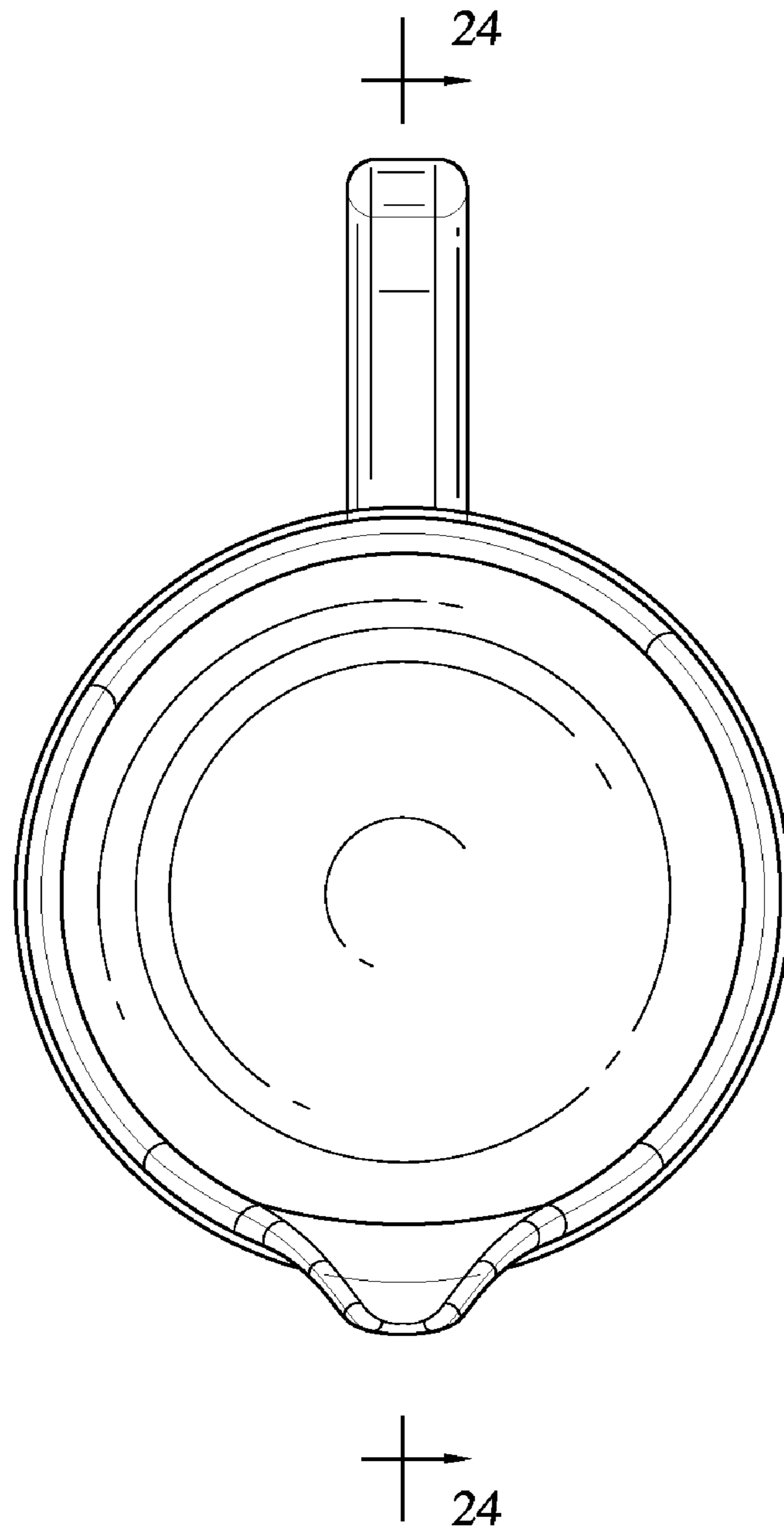


FIG. 22

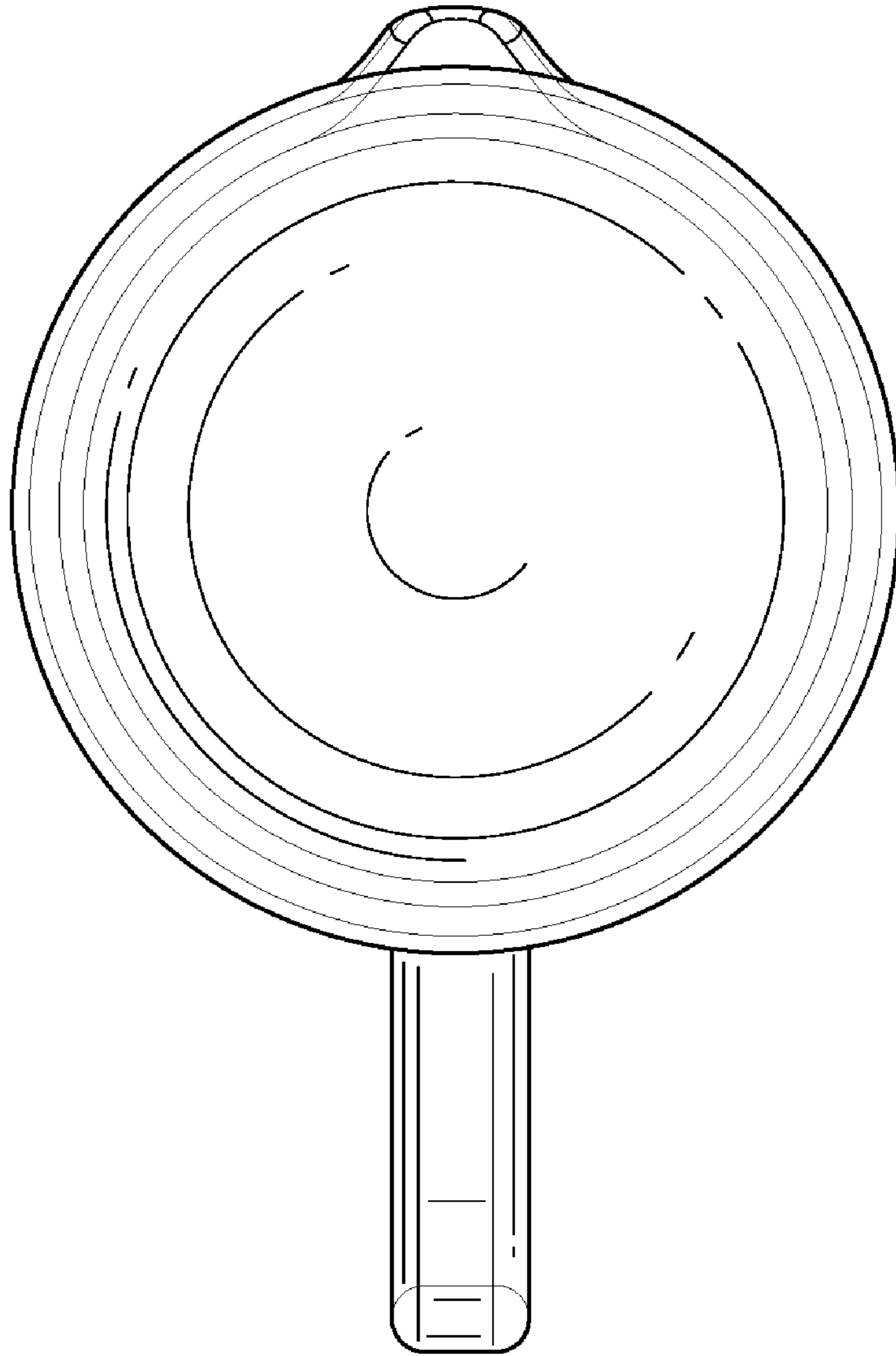


FIG. 23

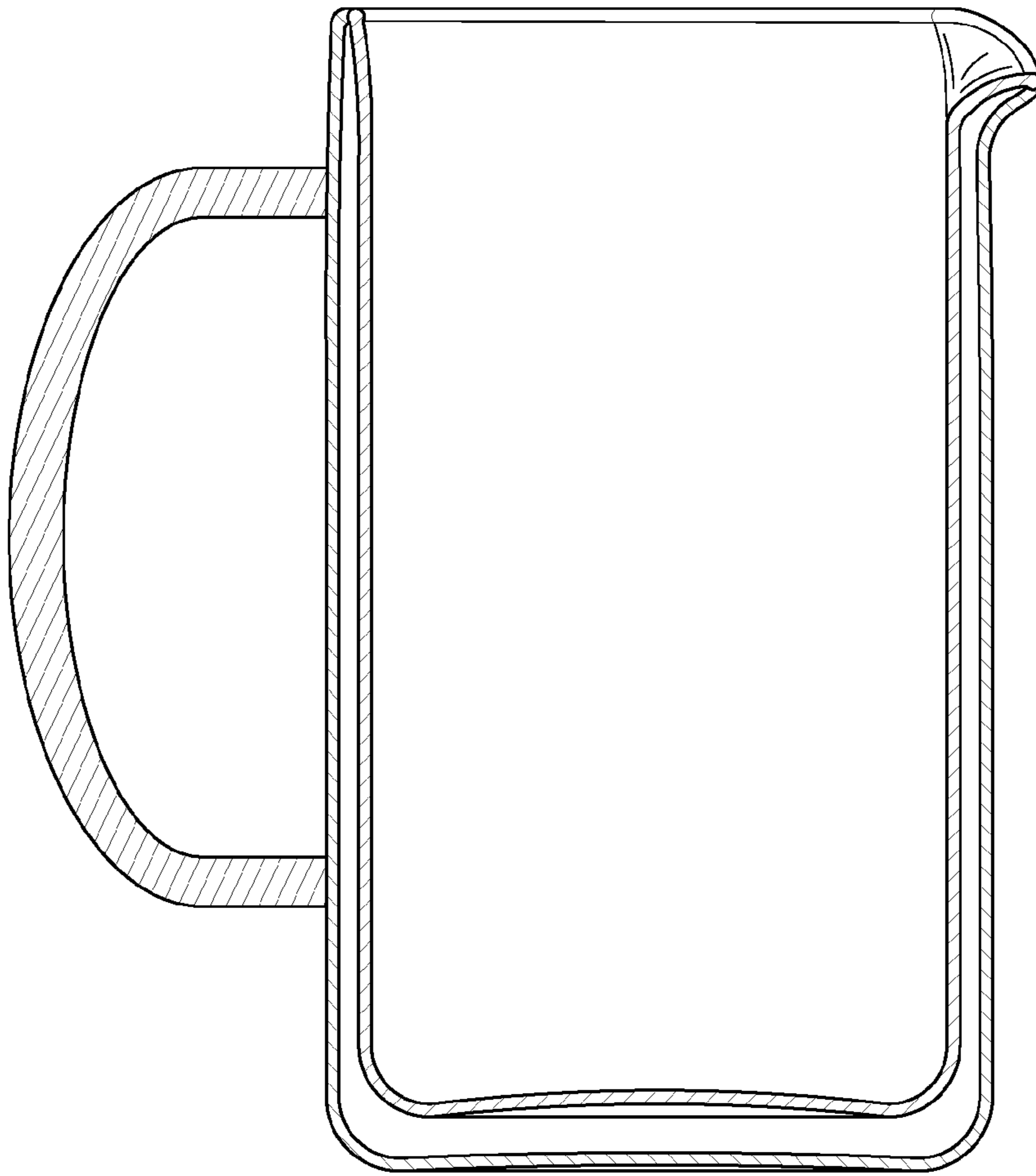


FIG. 24