



US00D567567S

(12) **United States Design Patent**
Bodum

(10) **Patent No.:** **US D567,567 S**

(45) **Date of Patent:** **** Apr. 29, 2008**

(54) **DOUBLE WALL JUG**

(75) Inventor: **Jørgen Bodum**, St. Niklausen (CH)

(73) Assignee: **Pi-Design AG**, Triengen (CH)

(**) Term: **14 Years**

(21) Appl. No.: **29/264,740**

(22) Filed: **Aug. 17, 2006**

(30) **Foreign Application Priority Data**

Feb. 17, 2006 (DK) DA 2006 00061

Aug. 4, 2006 (DK) DA 2006 00205

(51) **LOC (8) Cl.** **07-01**

(52) **U.S. Cl.** **D7/316; D7/319**

(58) **Field of Classification Search** D7/300,
D7/316-318, 312; 222/465.1, 478; 220/253,
220/695; 366/130, 247

See application file for complete search history.

(56) **References Cited**

U.S. PATENT DOCUMENTS

- 1,035,522 A * 8/1912 Boehm 215/12.1
- 3,622,129 A * 11/1971 Mazowski 366/247
- 3,861,565 A * 1/1975 Rickmeier, Jr. 222/131
- D270,602 S * 9/1983 Fritz D7/319
- D289,484 S * 4/1987 Forquer et al. D7/532
- 4,967,939 A * 11/1990 Taylor 222/196
- D321,623 S * 11/1991 Sun D7/317
- 5,407,270 A * 4/1995 Barile et al. 366/247
- 5,425,579 A * 6/1995 Sampson 366/130
- RE35,933 E * 10/1998 Schöll 220/695
- 6,394,322 B1 * 5/2002 Sekiya et al. 222/465.1
- D476,525 S * 7/2003 Zemel D7/395
- D498,638 S * 11/2004 Morrison D7/319
- 6,854,615 B2 * 2/2005 von Ronn et al. 220/253
- D552,917 S * 10/2007 Hurlbut et al. D7/319
- D553,419 S * 10/2007 Bodum D7/319
- D554,425 S * 11/2007 Schwamkrug D7/318
- D555,416 S * 11/2007 Bodum D7/317
- D557,978 S * 12/2007 Bodum D7/399
- D559,028 S * 1/2008 Appleton D7/317

* cited by examiner

Primary Examiner—Marianne Pandozzi

(74) *Attorney, Agent, or Firm*—Cowan, Liebowitz & Latman, PC

(57) **CLAIM**

The ornamental design for a double wall jug, as shown and described.

DESCRIPTION

FIG. 1 is a perspective view of a first embodiment of the double wall jug showing my design thereof;

FIG. 2 is a front view thereof;

FIG. 3 is a back view thereof;

FIG. 4 is a right side view thereof;

FIG. 5 is a left side view thereof;

FIG. 6 is a top view thereof;

FIG. 7 is a bottom view thereof;

FIG. 8 is a cross-sectional view thereof;

FIG. 9 is a perspective view of a second embodiment of the double wall jug showing my design thereof;

FIG. 10 is a front view thereof;

FIG. 11 is a back view thereof;

FIG. 12 is a right side view thereof;

FIG. 13 is a left side view thereof;

FIG. 14 is a top view thereof;

FIG. 15 is a bottom view thereof;

FIG. 16 is a cross-sectional view thereof;

FIG. 17 is a perspective view of a third embodiment of the double wall jug having a handle, showing my design thereof;

FIG. 18 is a front view thereof;

FIG. 19 is a back view thereof;

FIG. 20 is a right side view thereof;

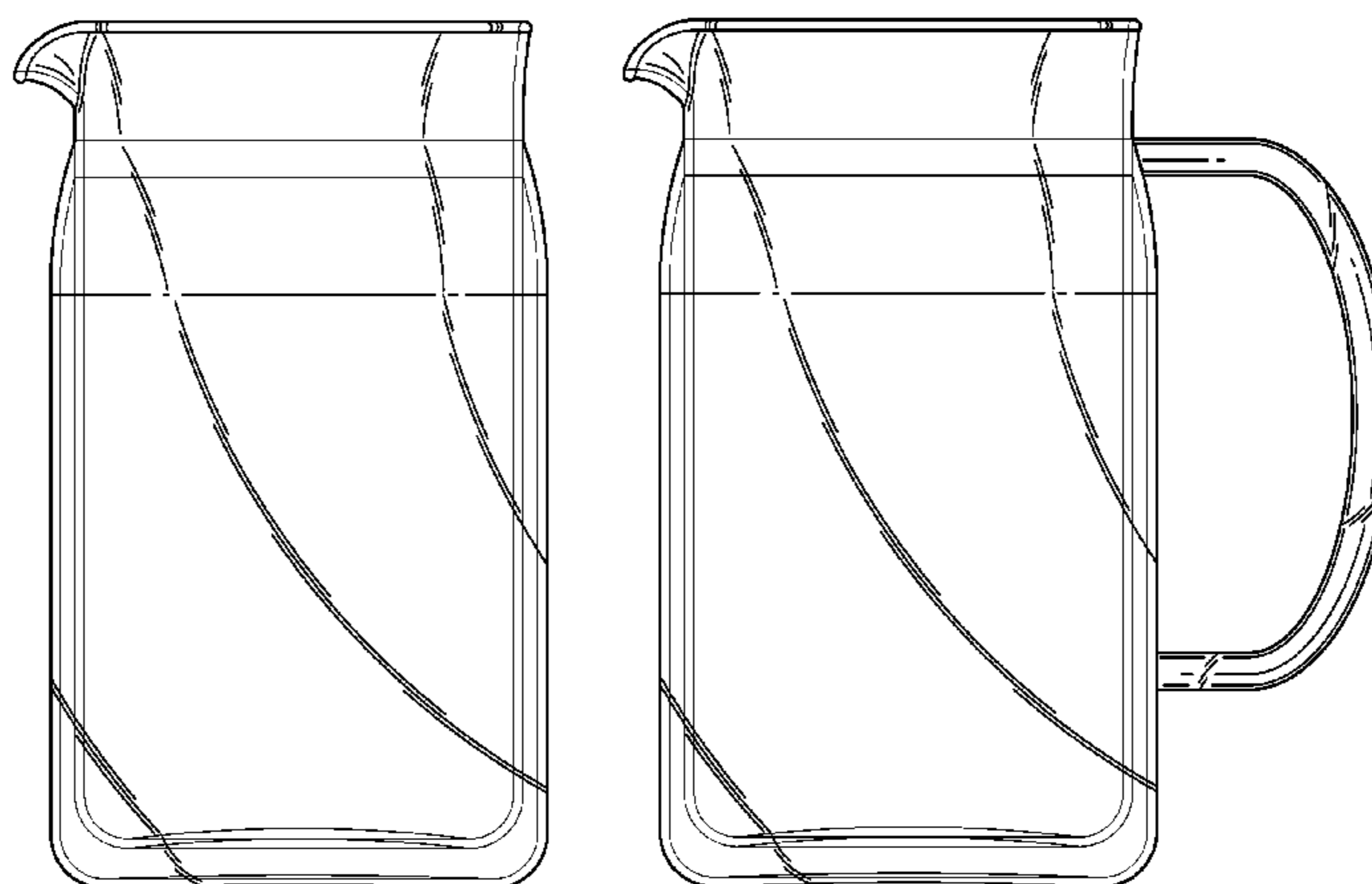
FIG. 21 is a left side view thereof;

FIG. 22 is a top view thereof;

FIG. 23 is a bottom view thereof; and,

FIG. 24 is a cross-sectional view thereof.

1 Claim, 24 Drawing Sheets



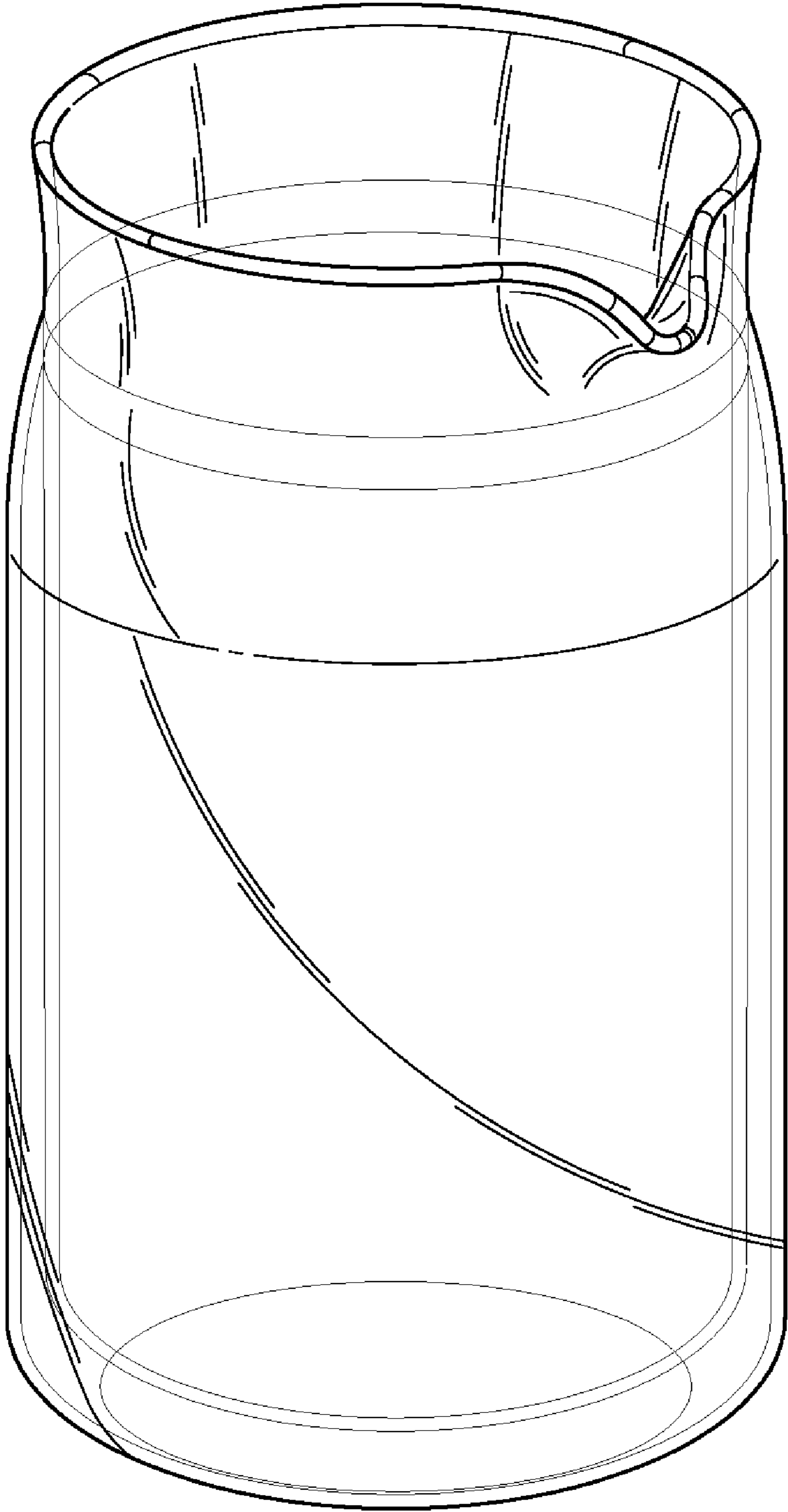


FIG. 1

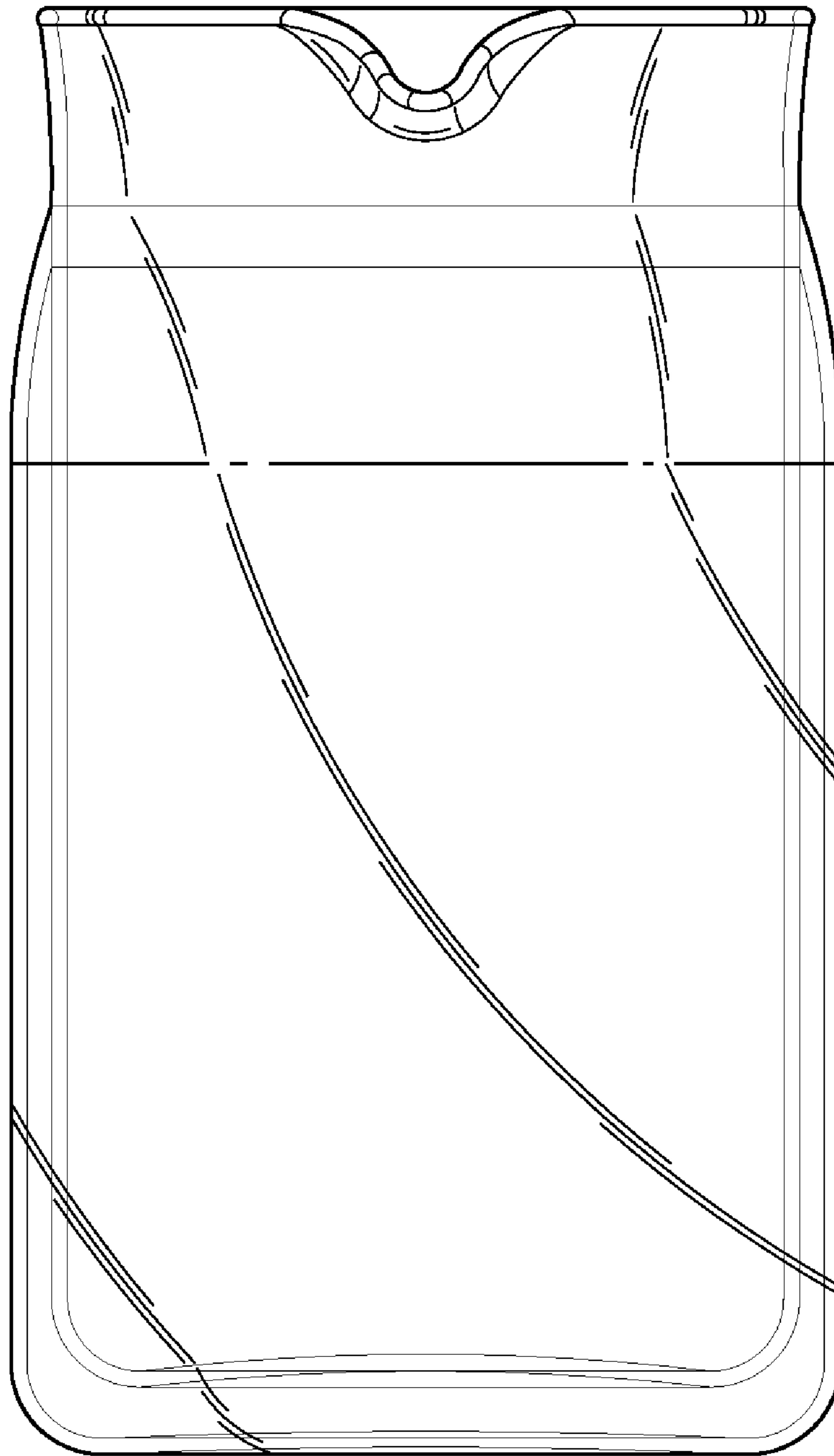


FIG. 2

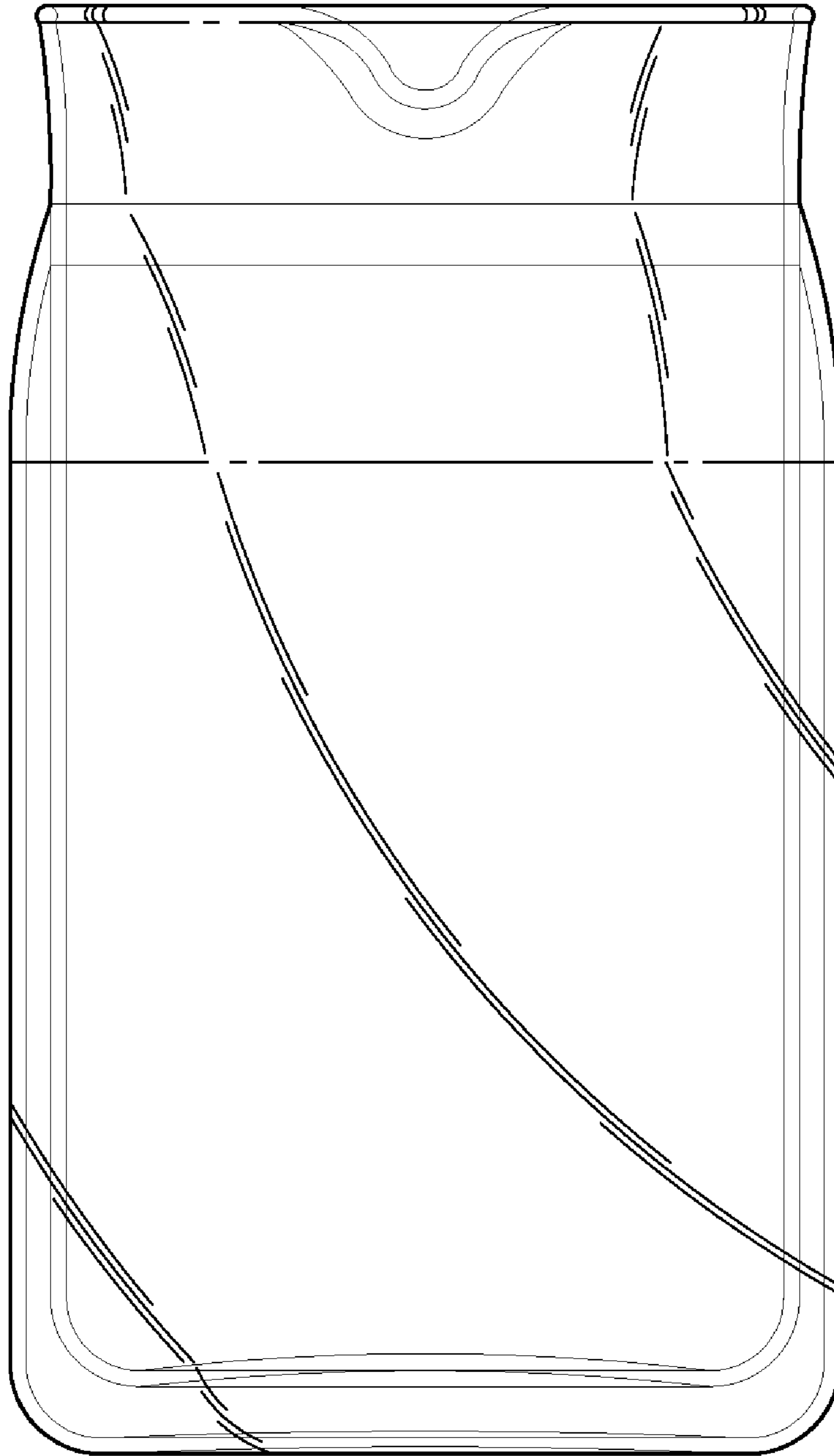


FIG. 3

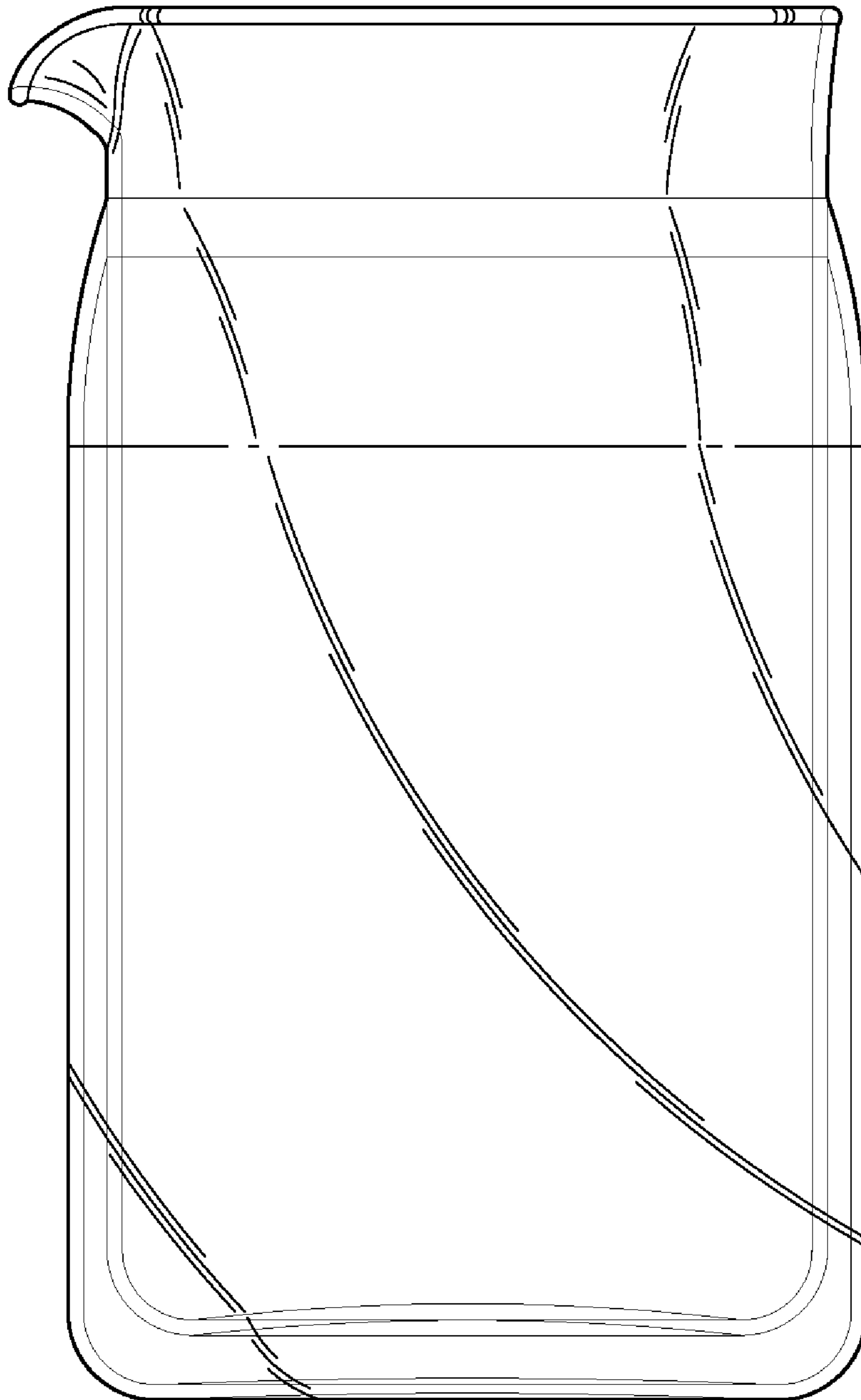


FIG. 4

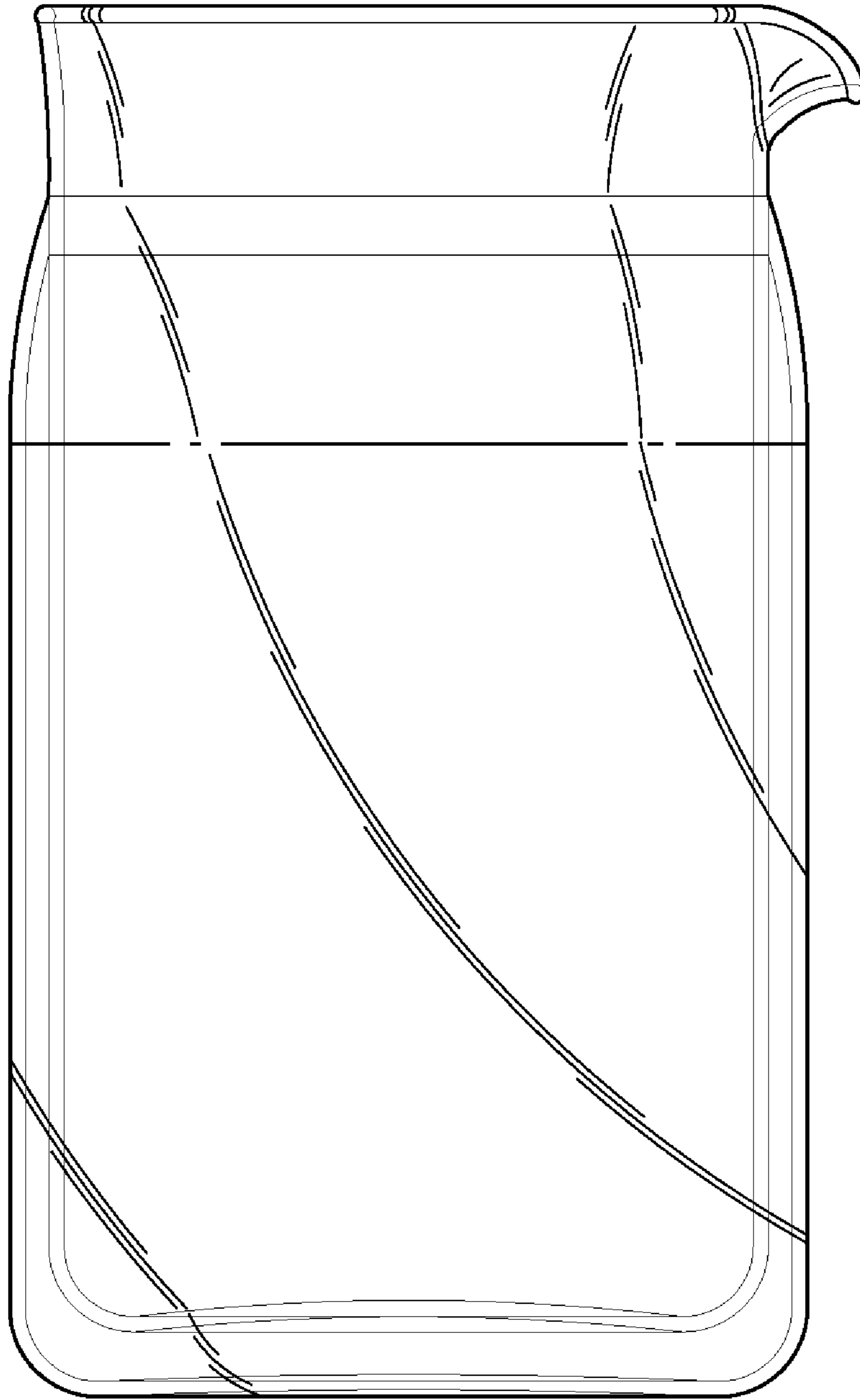


FIG. 5

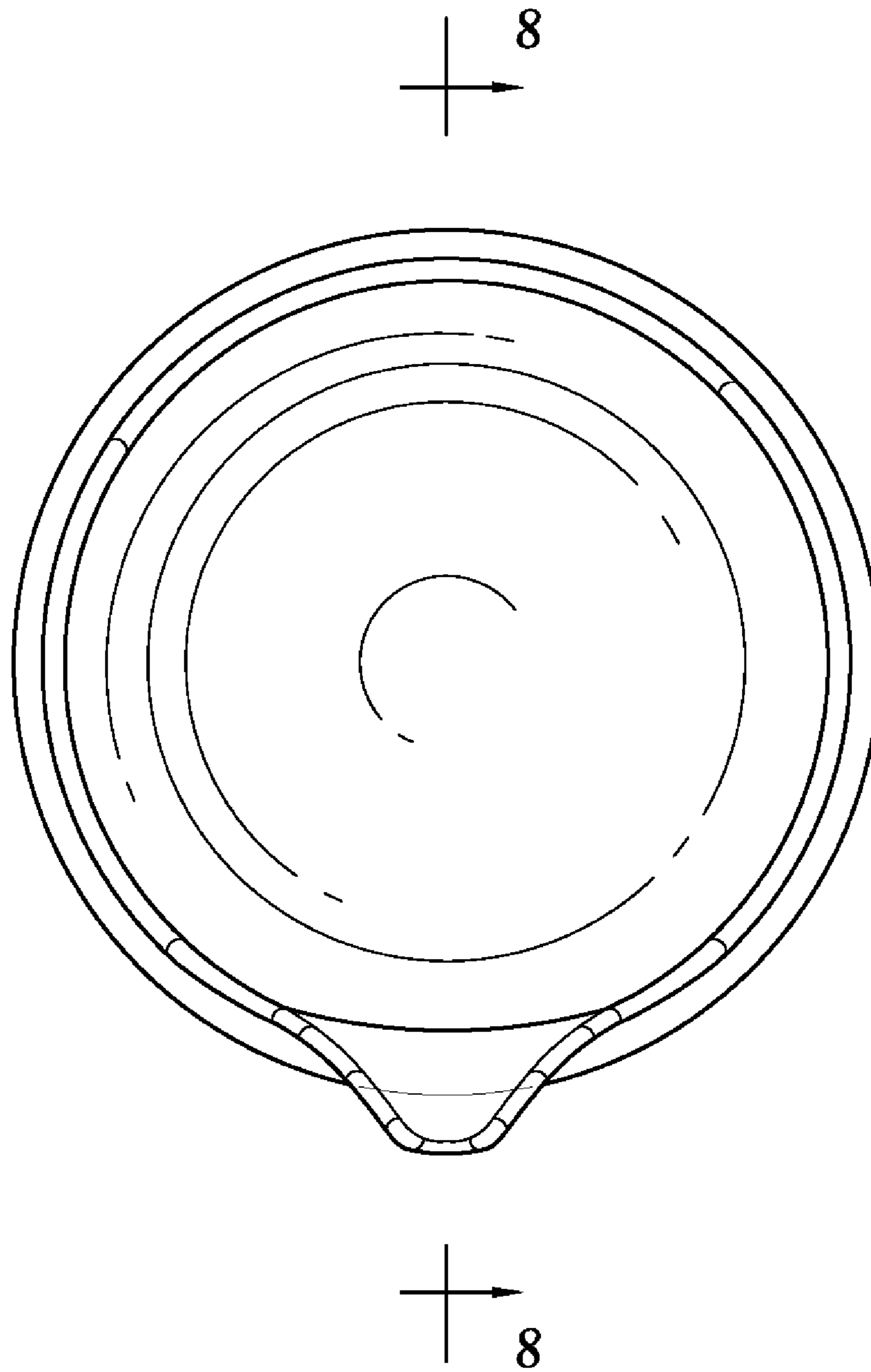


FIG. 6

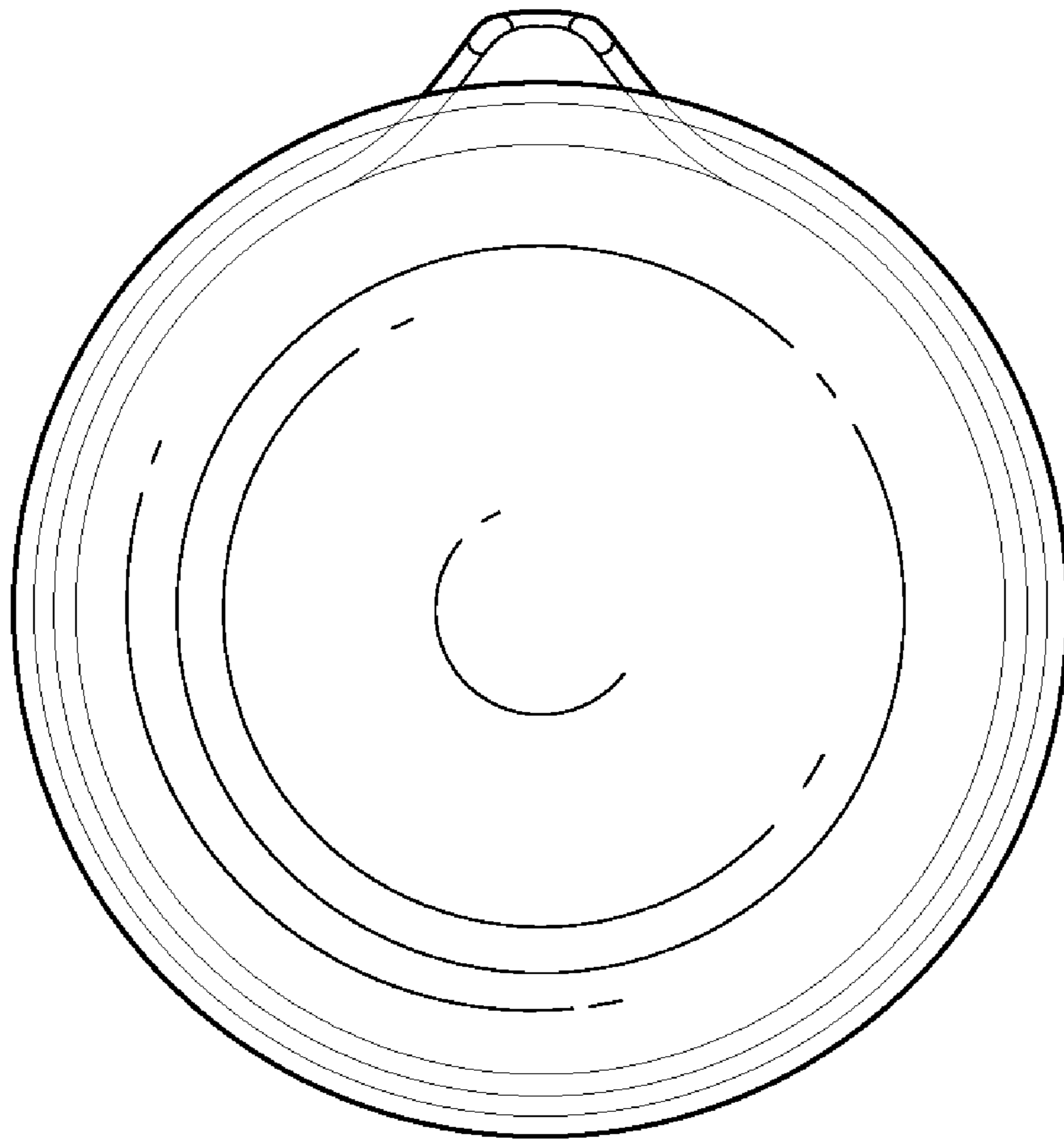


FIG. 7

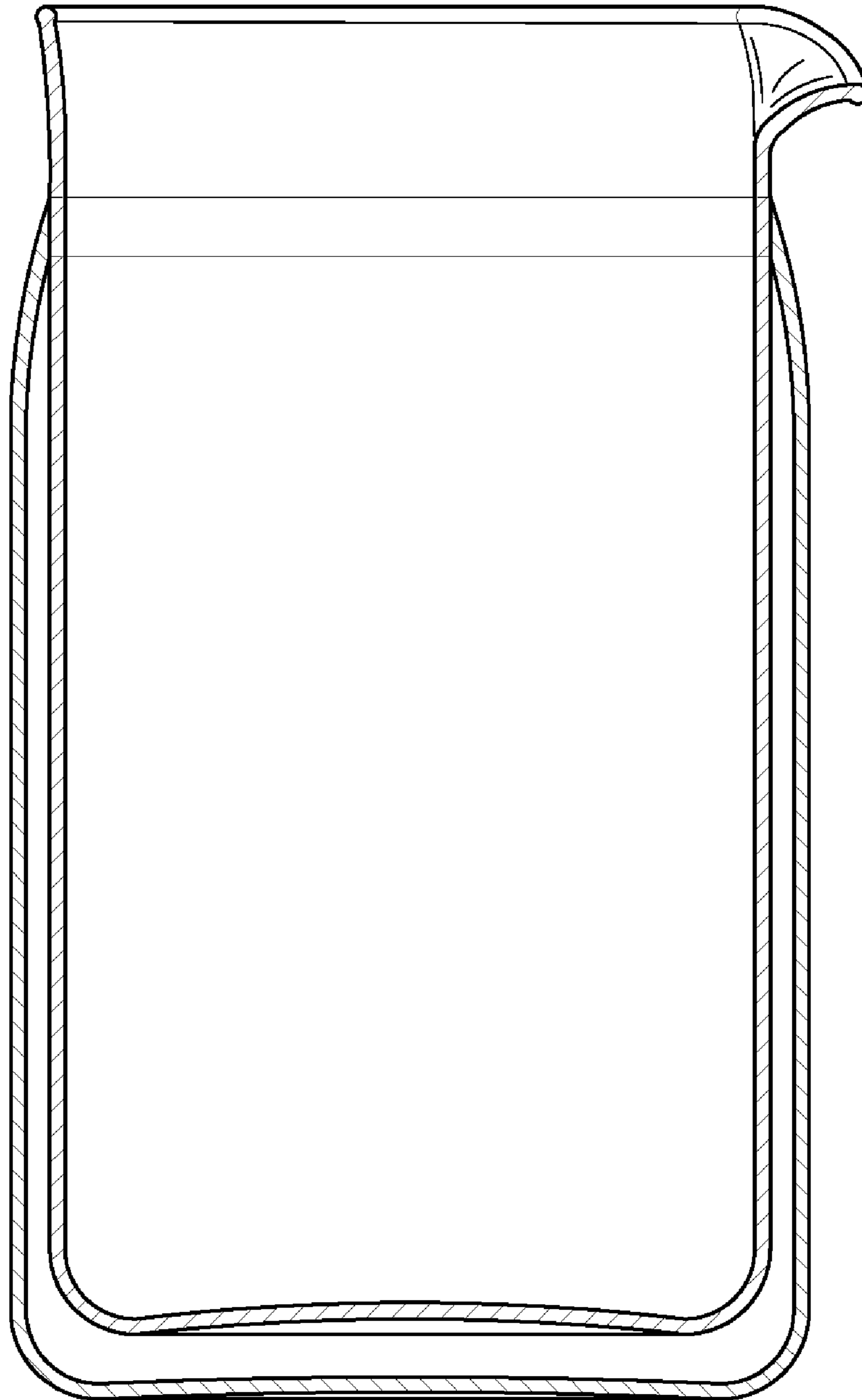


FIG. 8

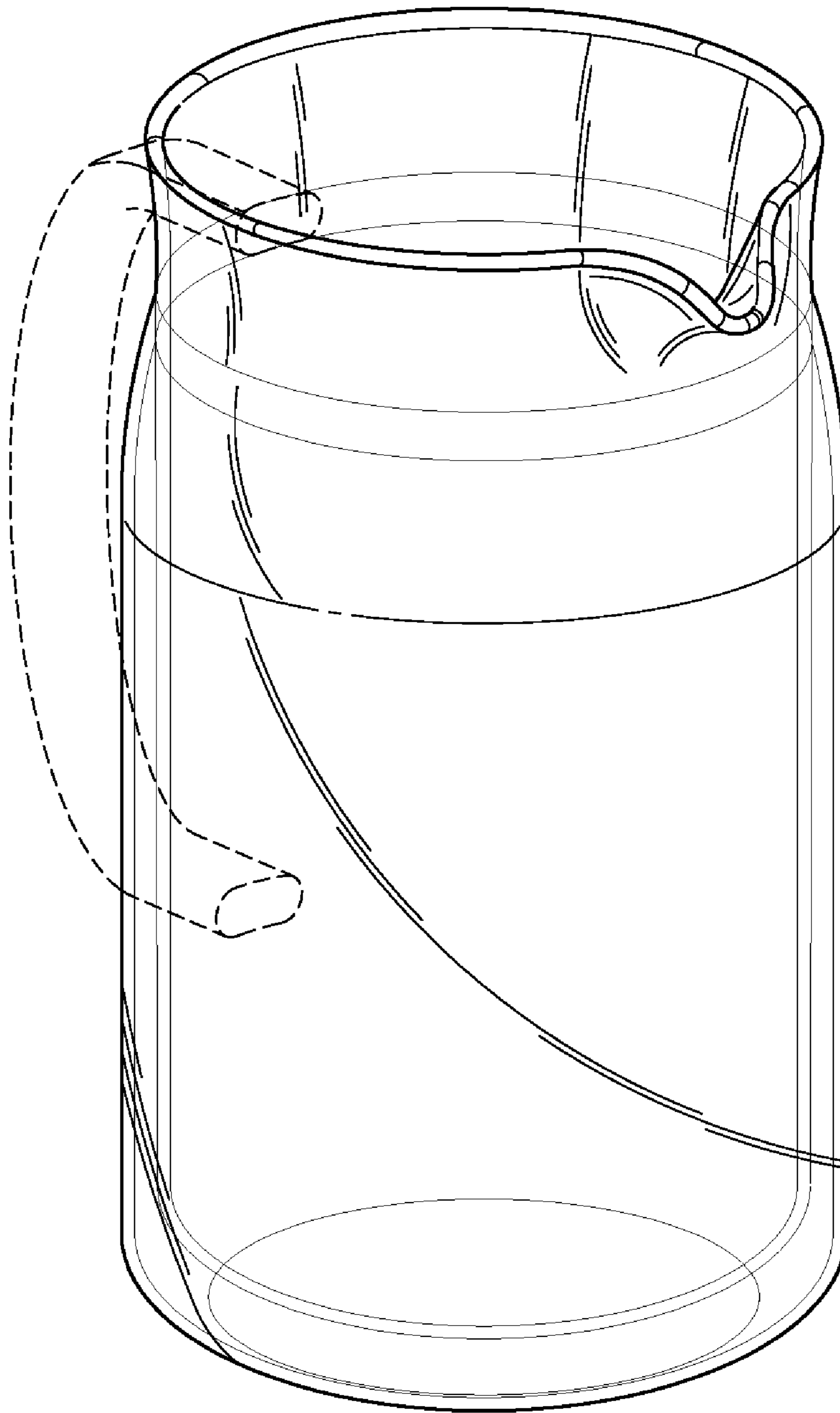


FIG. 9

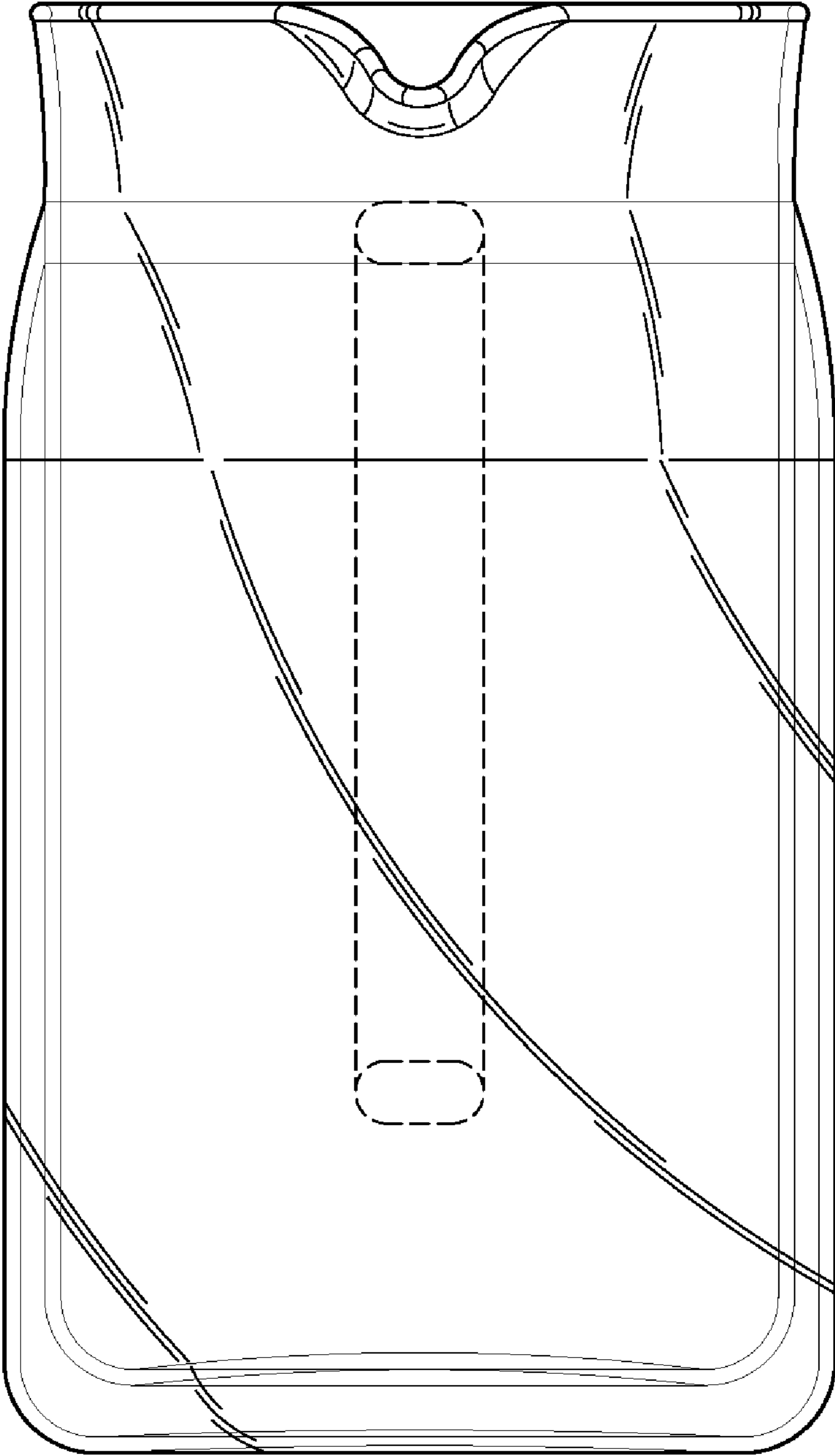


FIG. 10

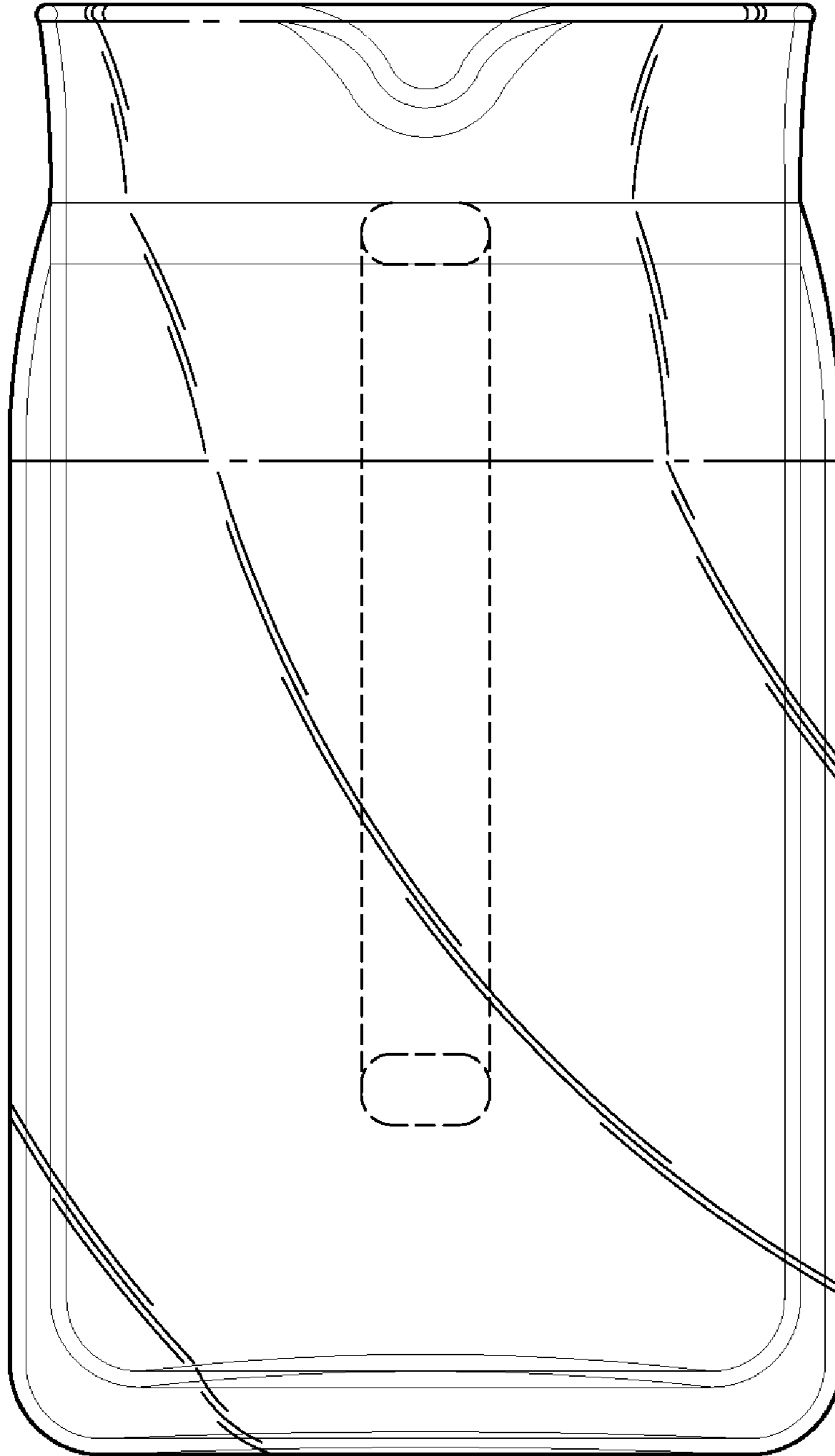


FIG. 11

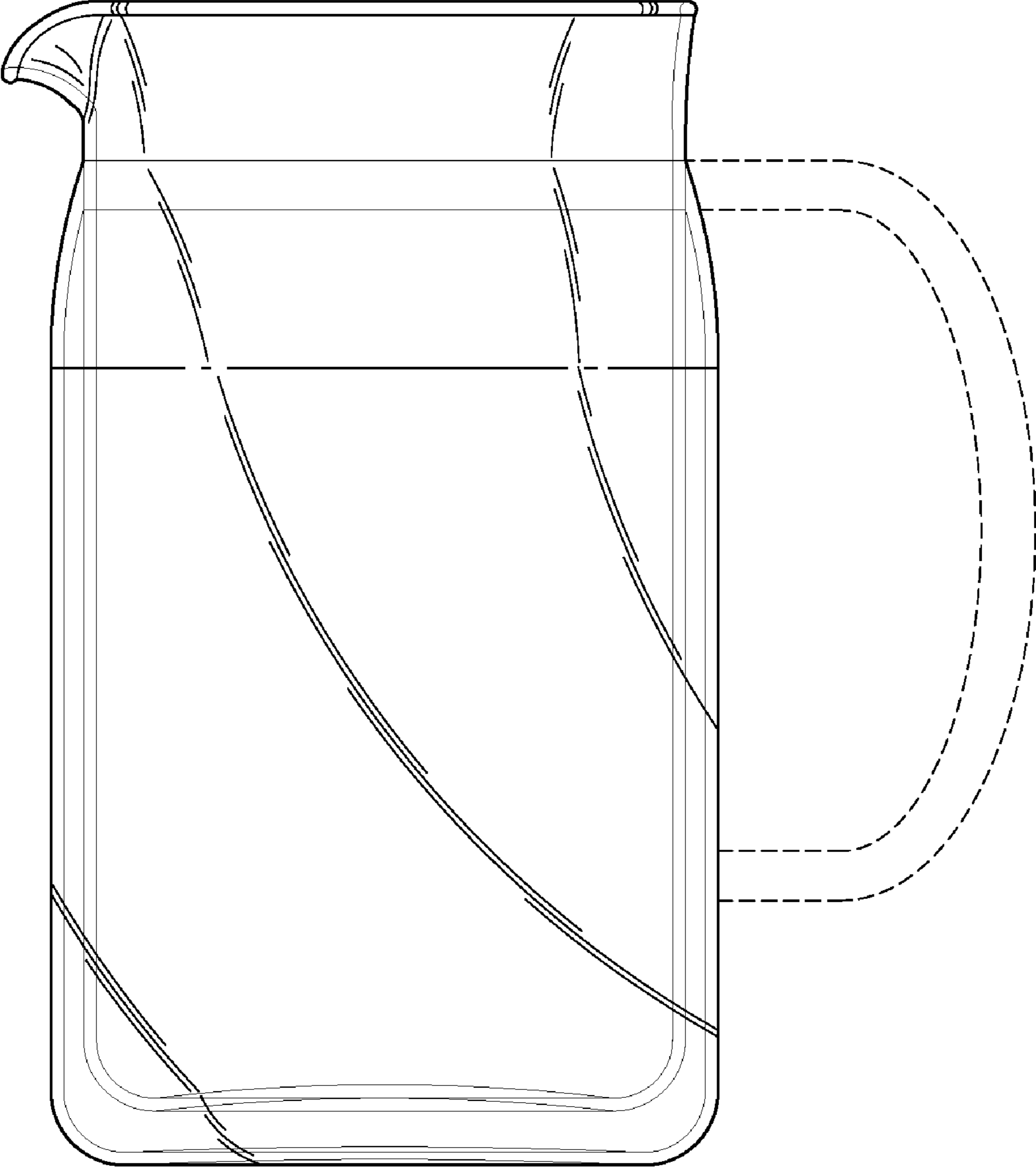


FIG. 12

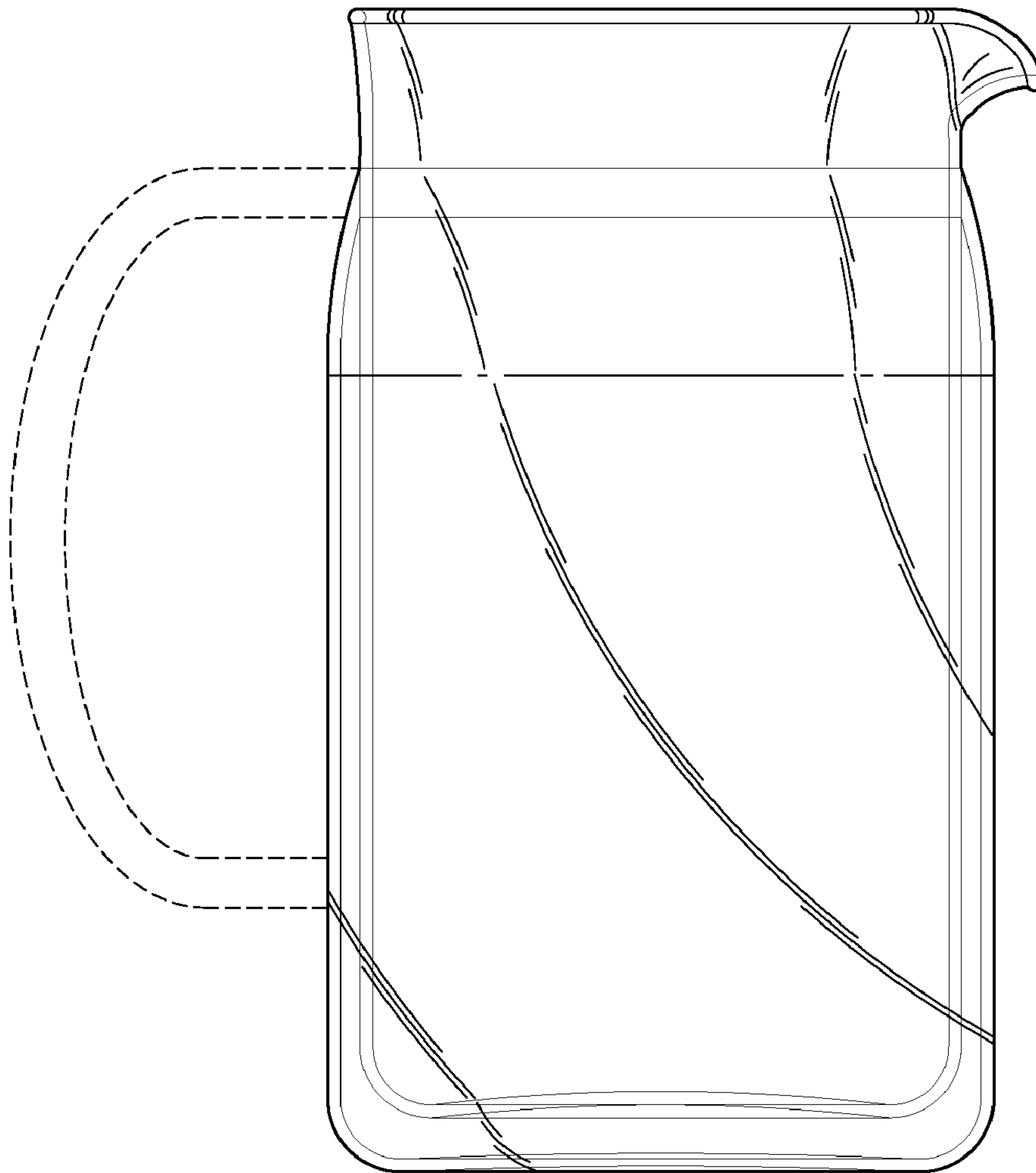


FIG. 13

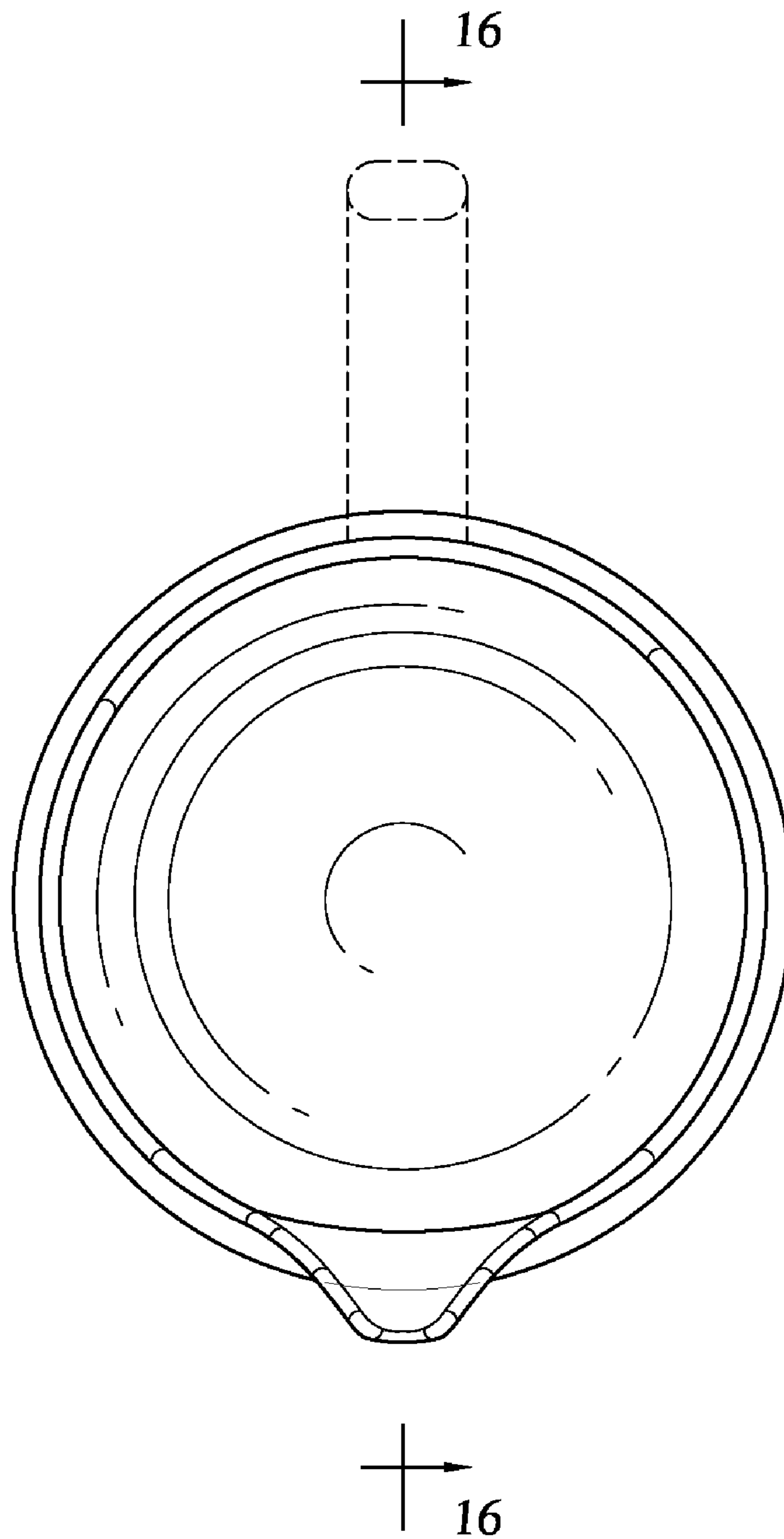


FIG. 14

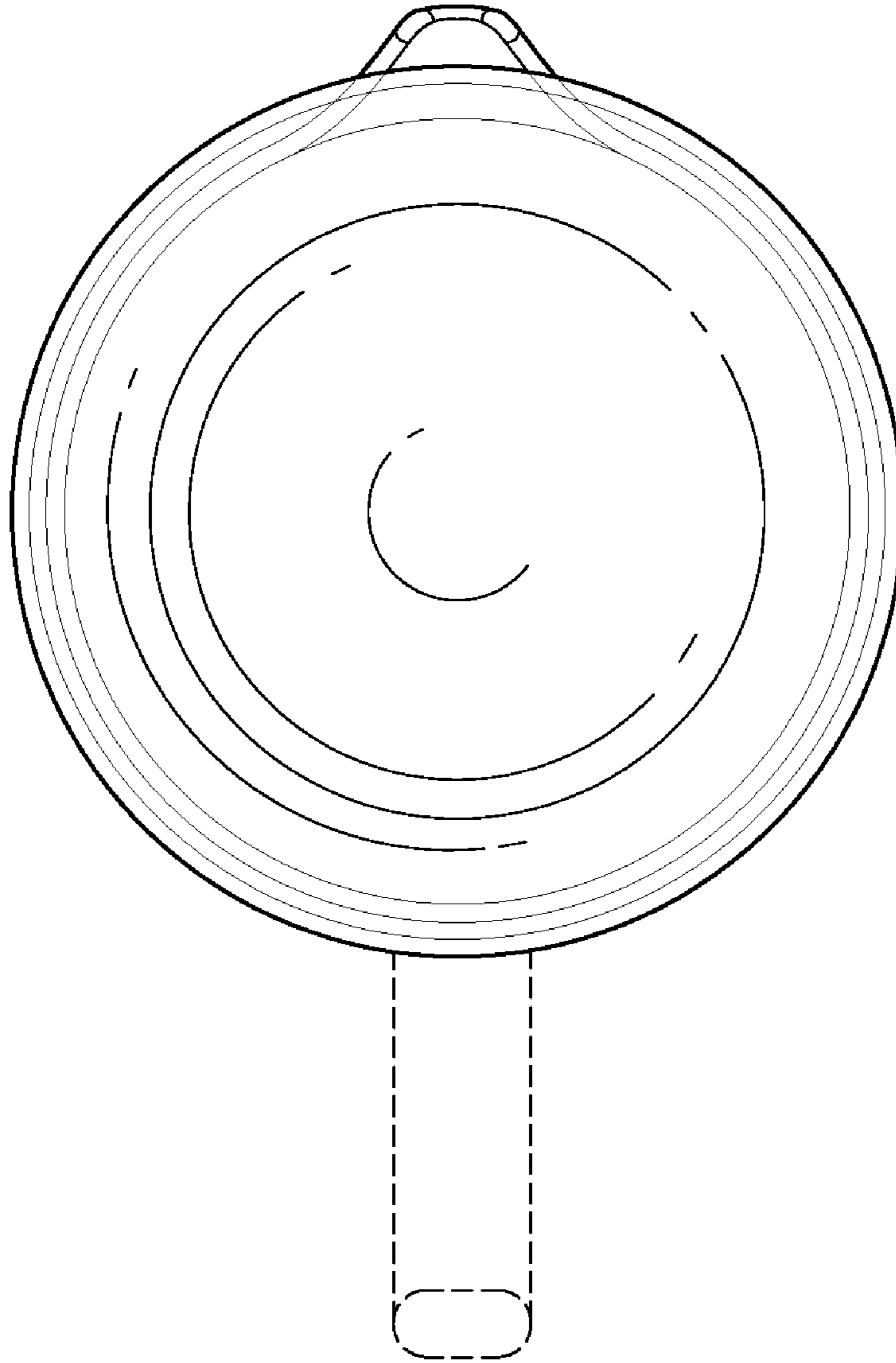


FIG. 15

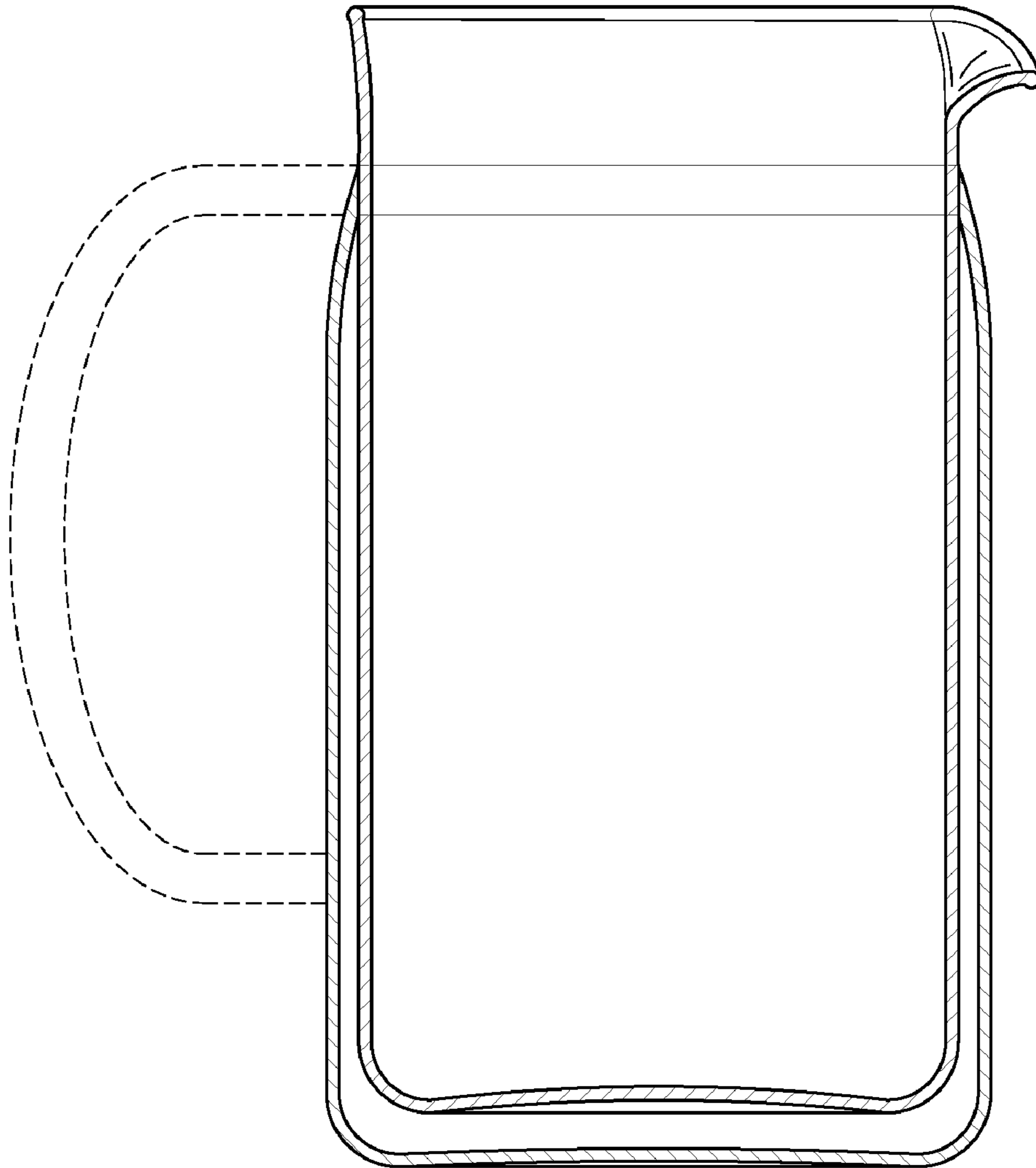


FIG. 16

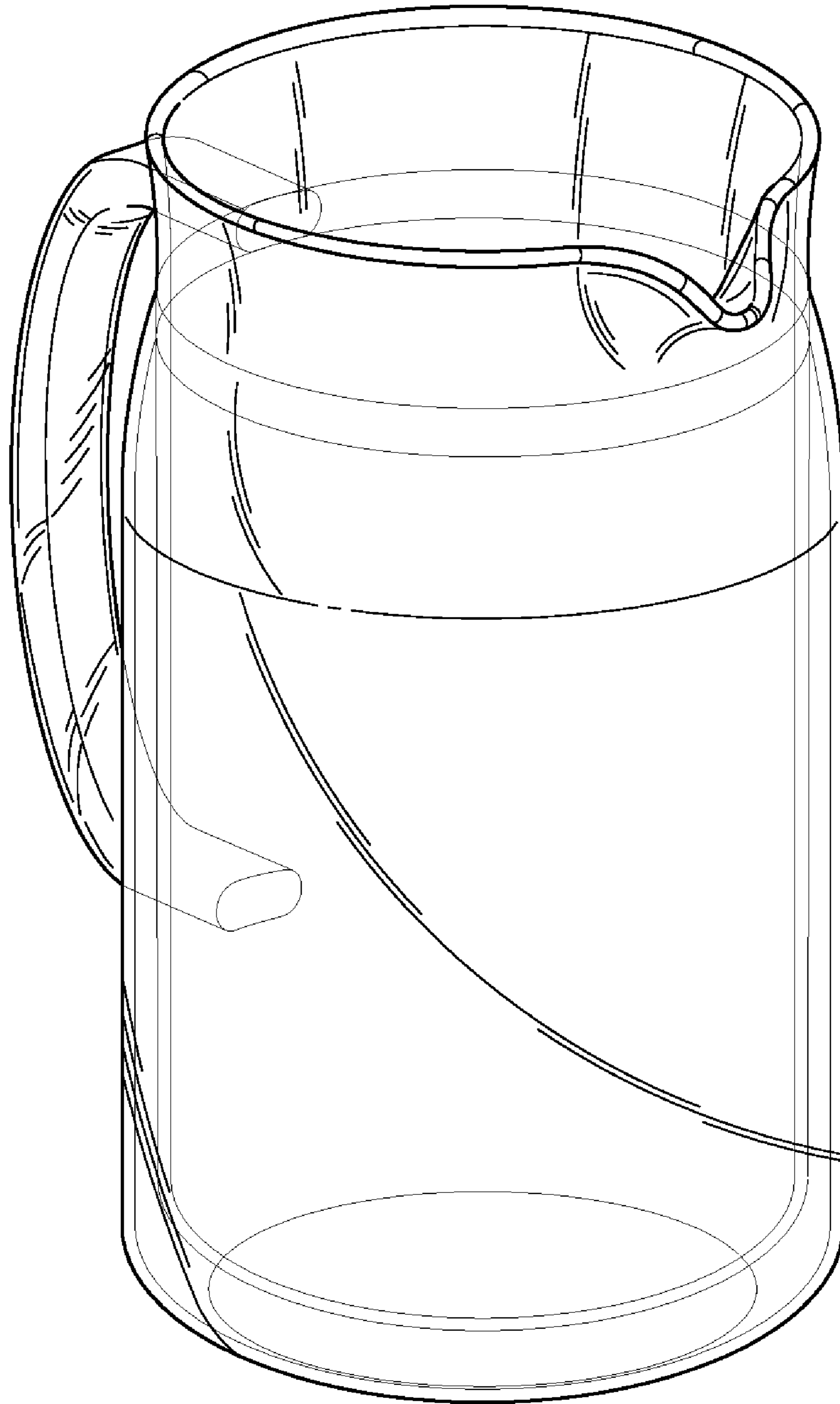


FIG. 17

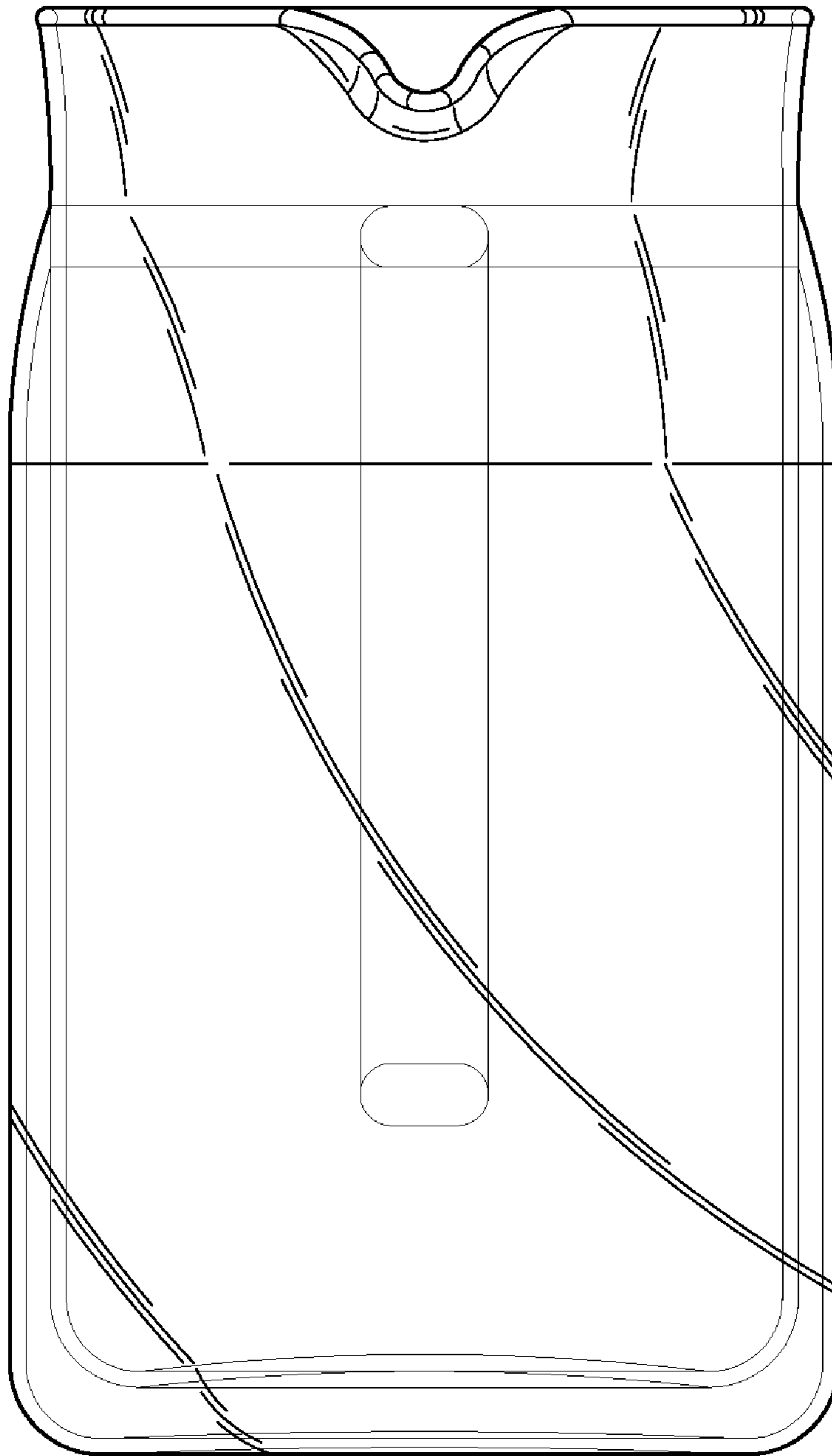


FIG. 18

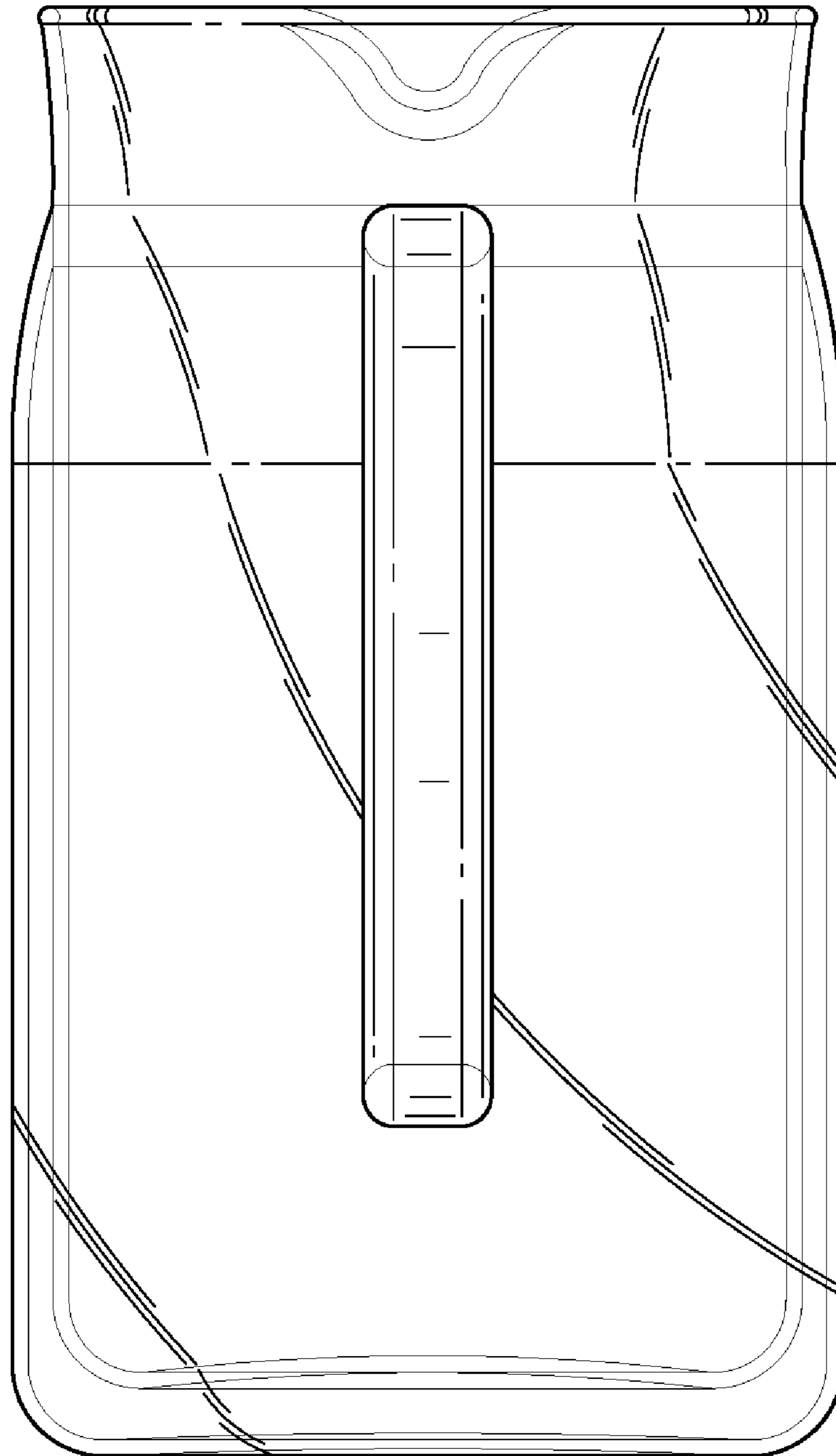


FIG. 19

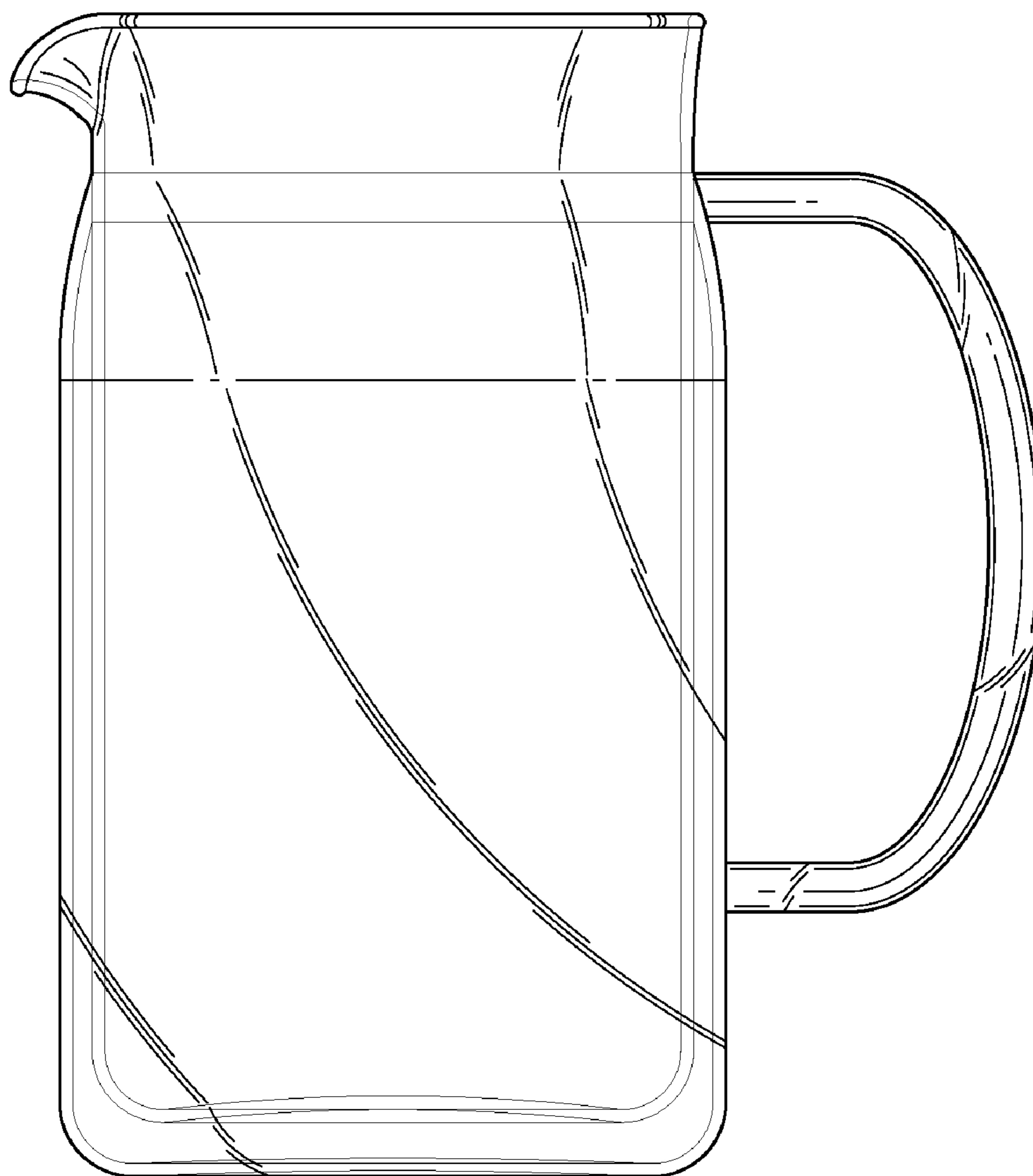


FIG. 20

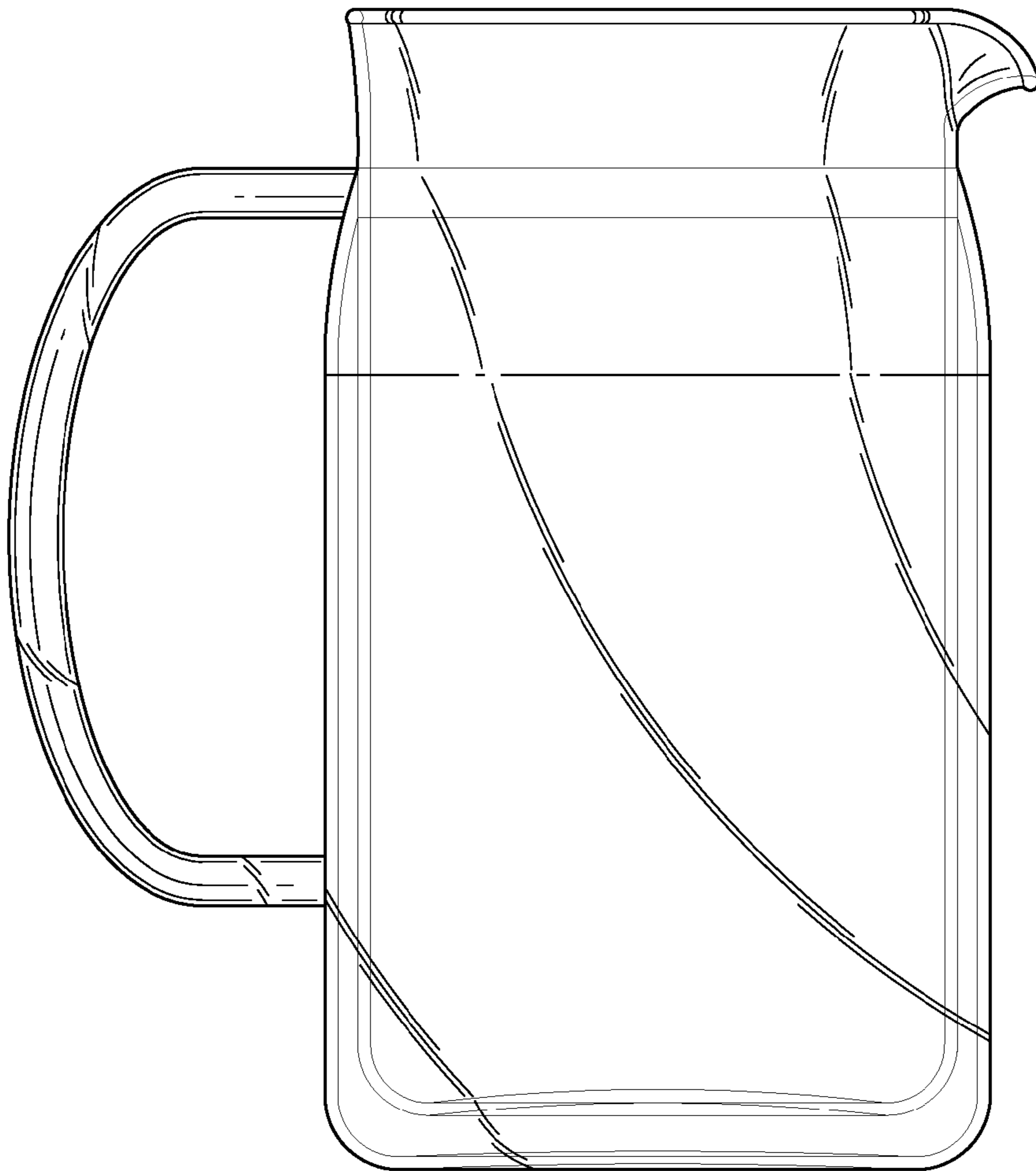


FIG. 21

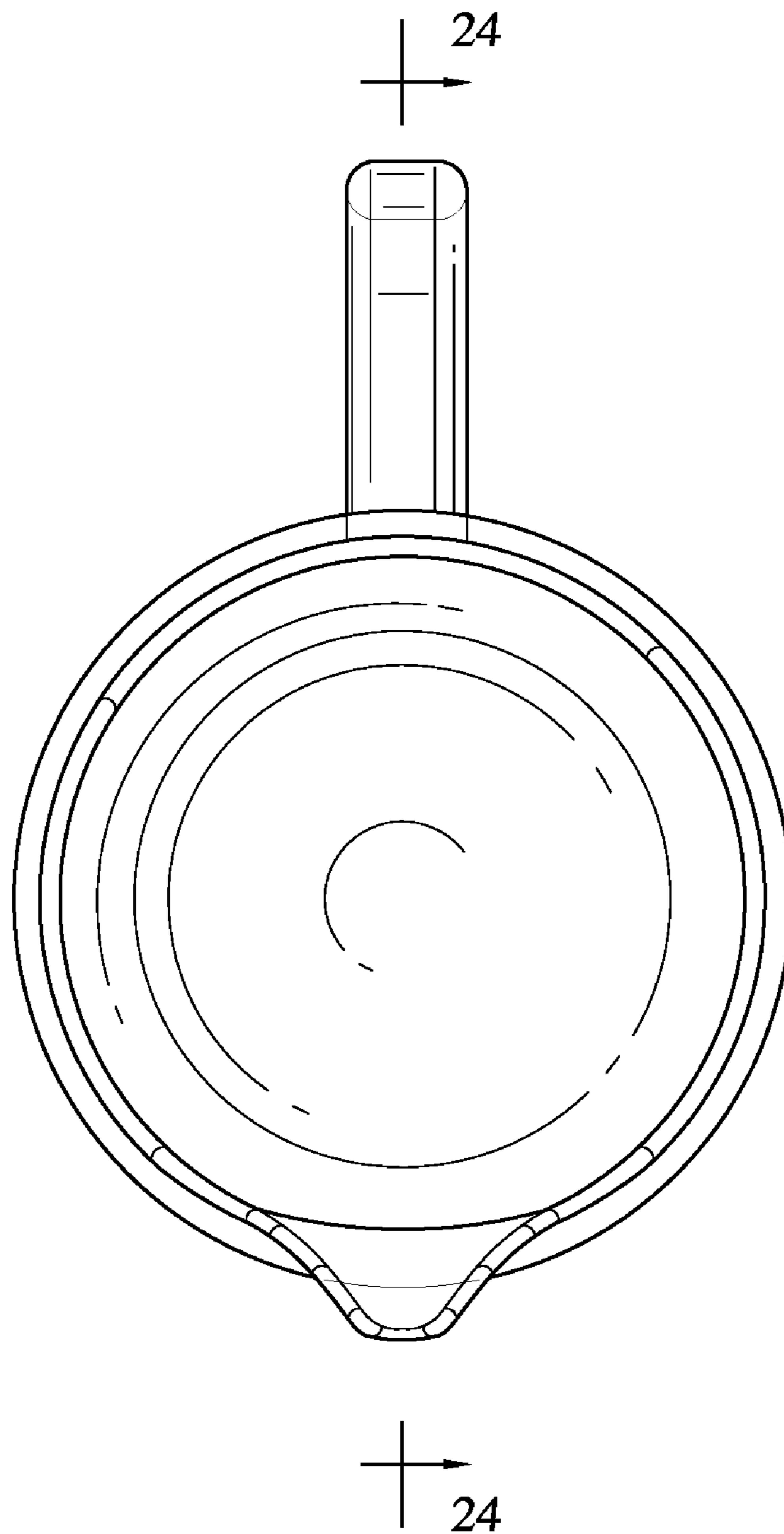


FIG. 22

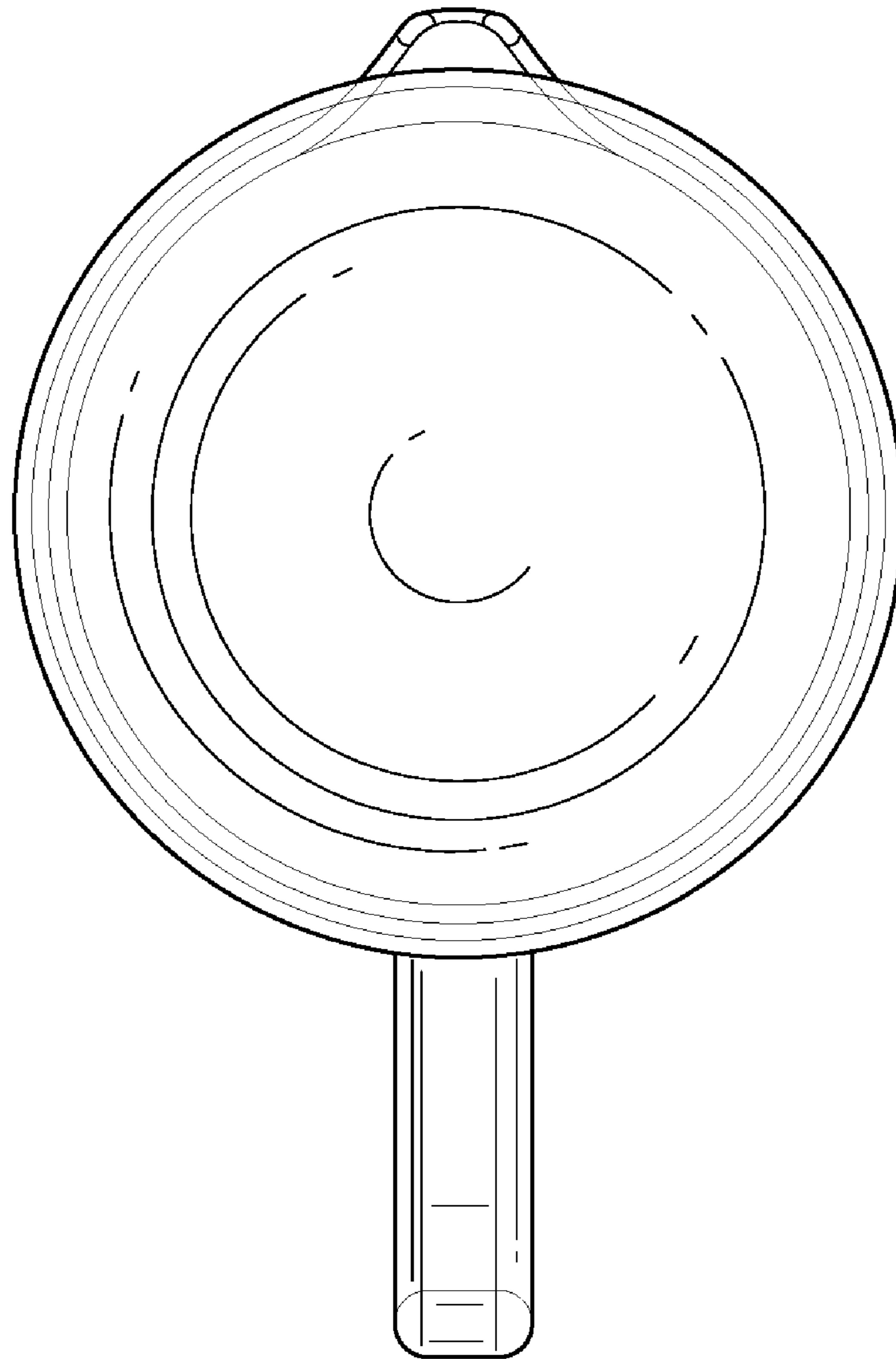


FIG. 23

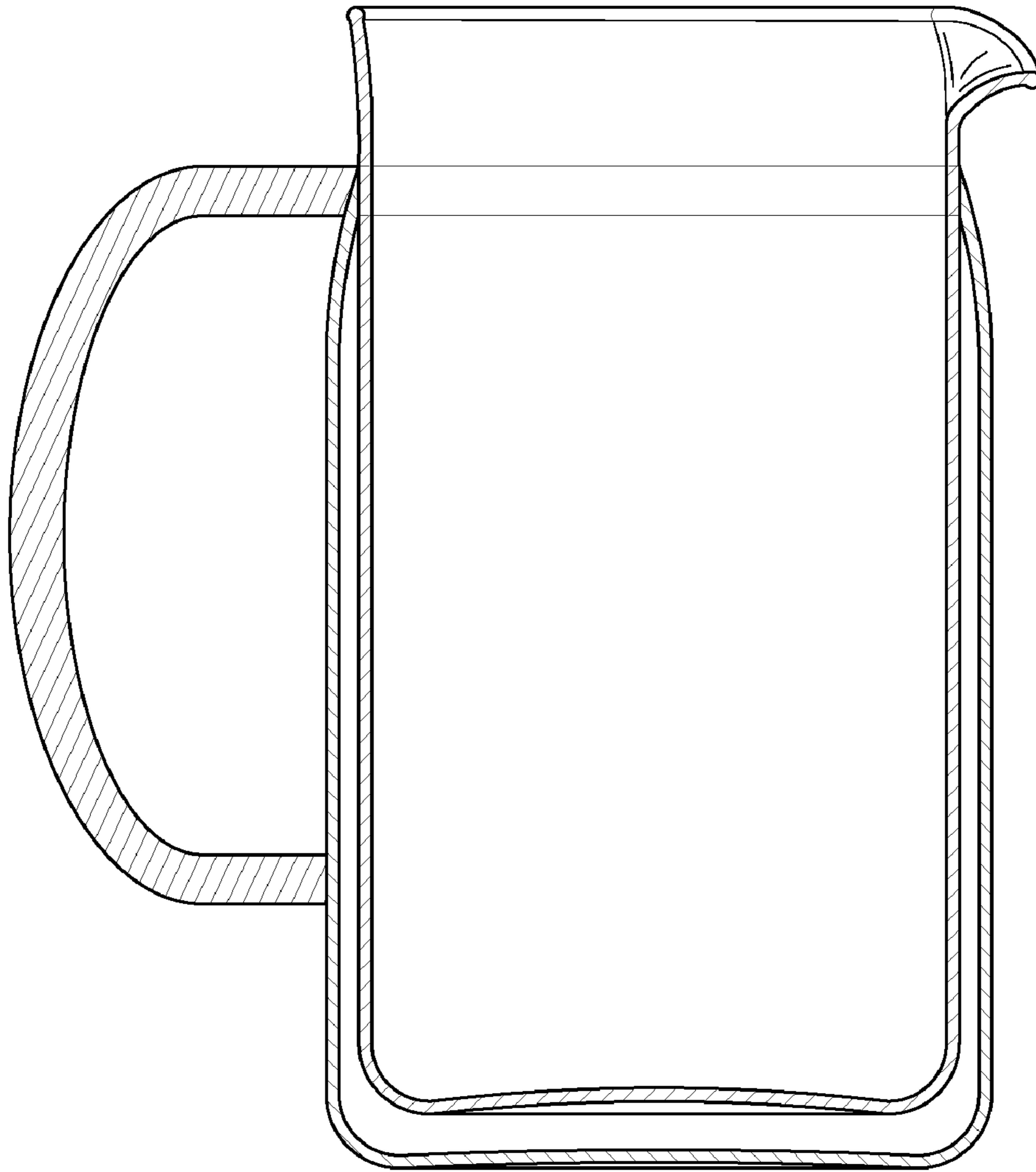


FIG. 24