



US00D567560S

(12) **United States Design Patent**  
**Byers**

(10) **Patent No.:** **US D567,560 S**  
(45) **Date of Patent:** **\*\* Apr. 29, 2008**

(54) **TOOL HOLDER**  
(75) Inventor: **Gary L. Byers**, Columbia Falls, MT  
(US)  
(73) Assignee: **Locan Properties, LLC**, Kalispell, MT  
(US)  
(\*\*) Term: **14 Years**  
(21) Appl. No.: **29/268,294**  
(22) Filed: **Nov. 2, 2006**  
(51) **LOC (8) Cl.** ..... **06-04**  
(52) **U.S. Cl.** ..... **D6/553**  
(58) **Field of Classification Search** ..... D6/553,  
D6/512, 567, 572; D8/349, 363, 367, 372;  
211/13.1, 71.01, 86.01, 87.01, 89.01; 248/200,  
248/201, 205.1, 304, 309.1, 309.2  
See application file for complete search history.

D355,287 S 2/1995 Camp, Jr.  
D383,579 S 9/1997 Samson  
5,727,649 A 3/1998 Buckley  
5,826,844 A 10/1998 Purdy  
5,842,253 A 12/1998 Ahl et al.  
5,855,346 A 1/1999 Hall  
6,019,241 A 2/2000 Burns  
D423,269 S \* 4/2000 Laga et al. .... D6/566  
D424,413 S \* 5/2000 Laga et al. .... D8/372  
6,089,351 A 7/2000 Ahl et al.  
6,148,958 A 11/2000 Ahl et al.  
D444,604 S 7/2001 Hoffert et al.  
6,338,459 B1 1/2002 Biggs  
6,382,354 B2 5/2002 Ahl et al.  
6,431,392 B1 8/2002 Eisenbeisz  
D470,634 S 2/2003 Rajdl  
6,513,626 B2 2/2003 MacSweeney et al.  
6,604,721 B2 8/2003 Ahl et al.  
D497,306 S \* 10/2004 Anderson et al. .... D8/372  
D502,865 S \* 3/2005 Anderson et al. .... D8/372  
D524,501 S 7/2006 Prokop et al.  
7,083,044 B1 8/2006 Kilian et al.

(56) **References Cited**  
U.S. PATENT DOCUMENTS  
802,861 A 10/1905 Hetherington  
2,453,189 A 11/1948 Bogut  
2,645,443 A 7/1953 Pelletier  
2,674,427 A 4/1954 Woodward et al.  
2,837,306 A 6/1958 Elm  
2,855,170 A 10/1958 Spinello  
3,052,442 A 9/1962 Rankin, Jr.  
3,227,411 A 1/1966 Treutler  
3,357,668 A 12/1967 Carrel  
3,458,165 A 7/1969 Crow  
3,593,951 A 7/1971 Warner et al.  
3,603,548 A 9/1971 Meyer, III  
3,661,351 A 5/1972 Olsen  
3,822,847 A 7/1974 Emmons  
4,527,763 A 7/1985 Woytowich  
4,706,918 A 11/1987 Wilson  
4,730,802 A 3/1988 Chatham et al.  
5,305,977 A 4/1994 Roth

\* cited by examiner

*Primary Examiner*—Brian N Vinson  
(74) *Attorney, Agent, or Firm*—Carl G. Dowrey

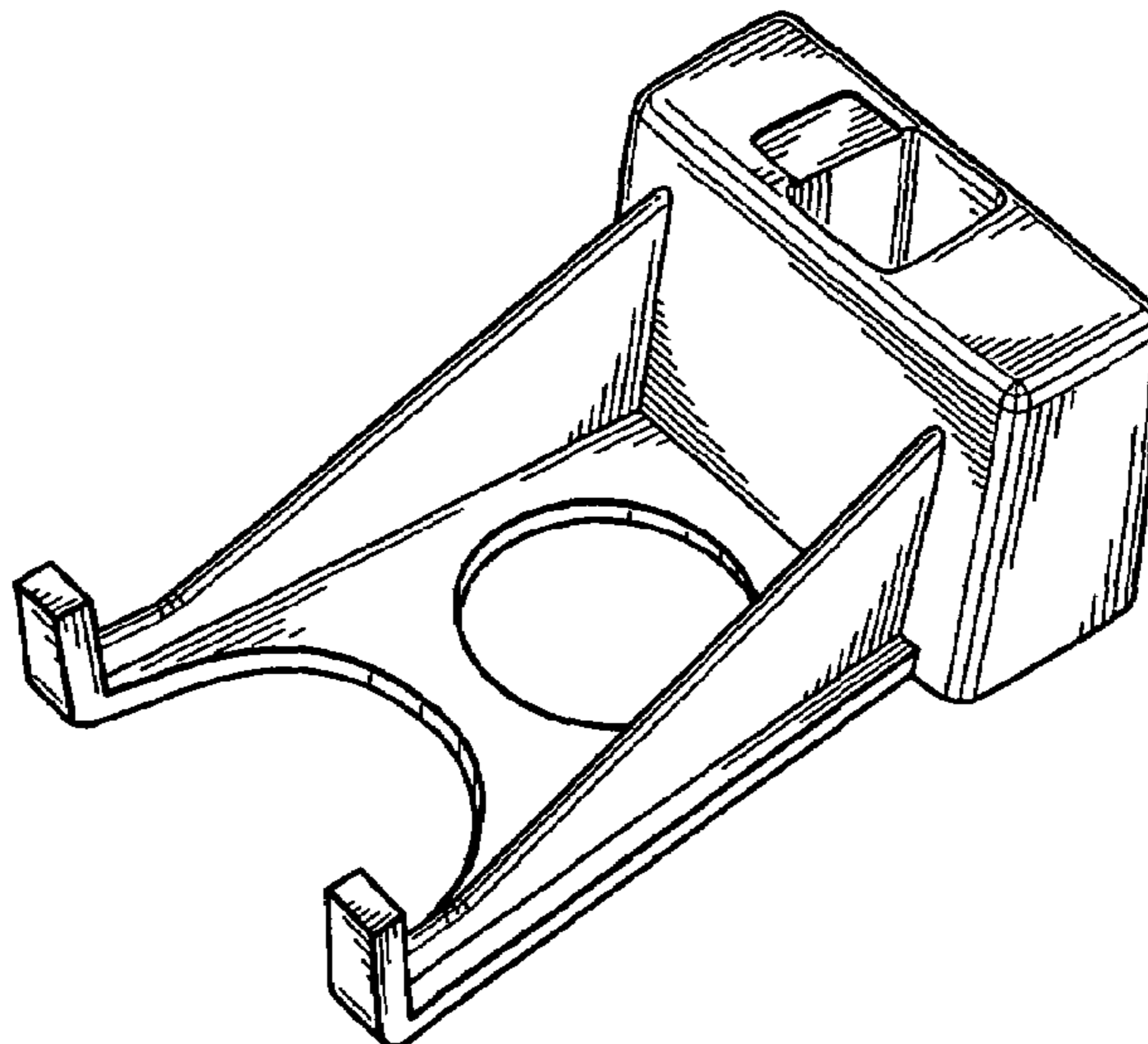
(57) **CLAIM**

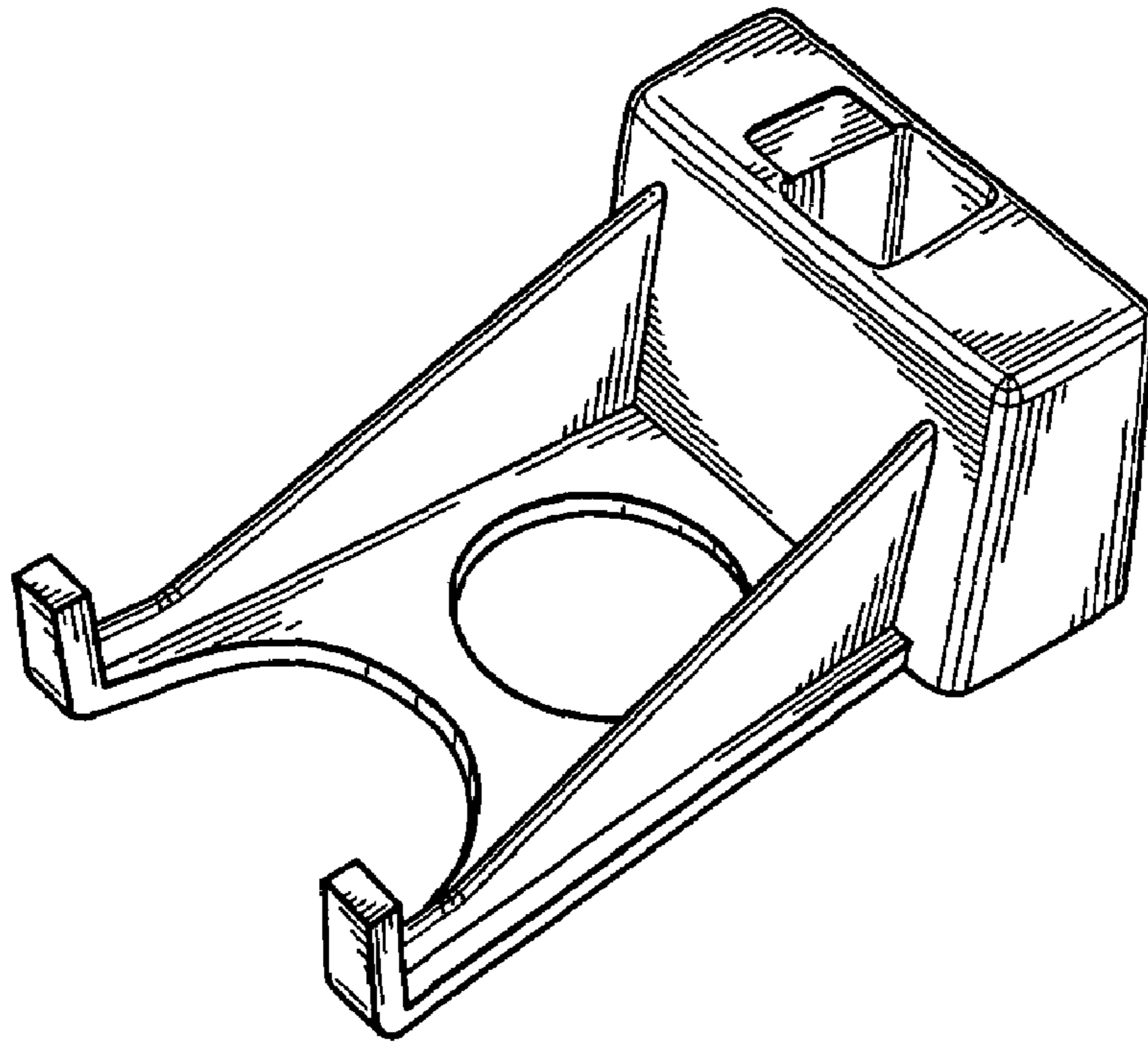
The ornamental design for a tool holder, as shown.

**DESCRIPTION**

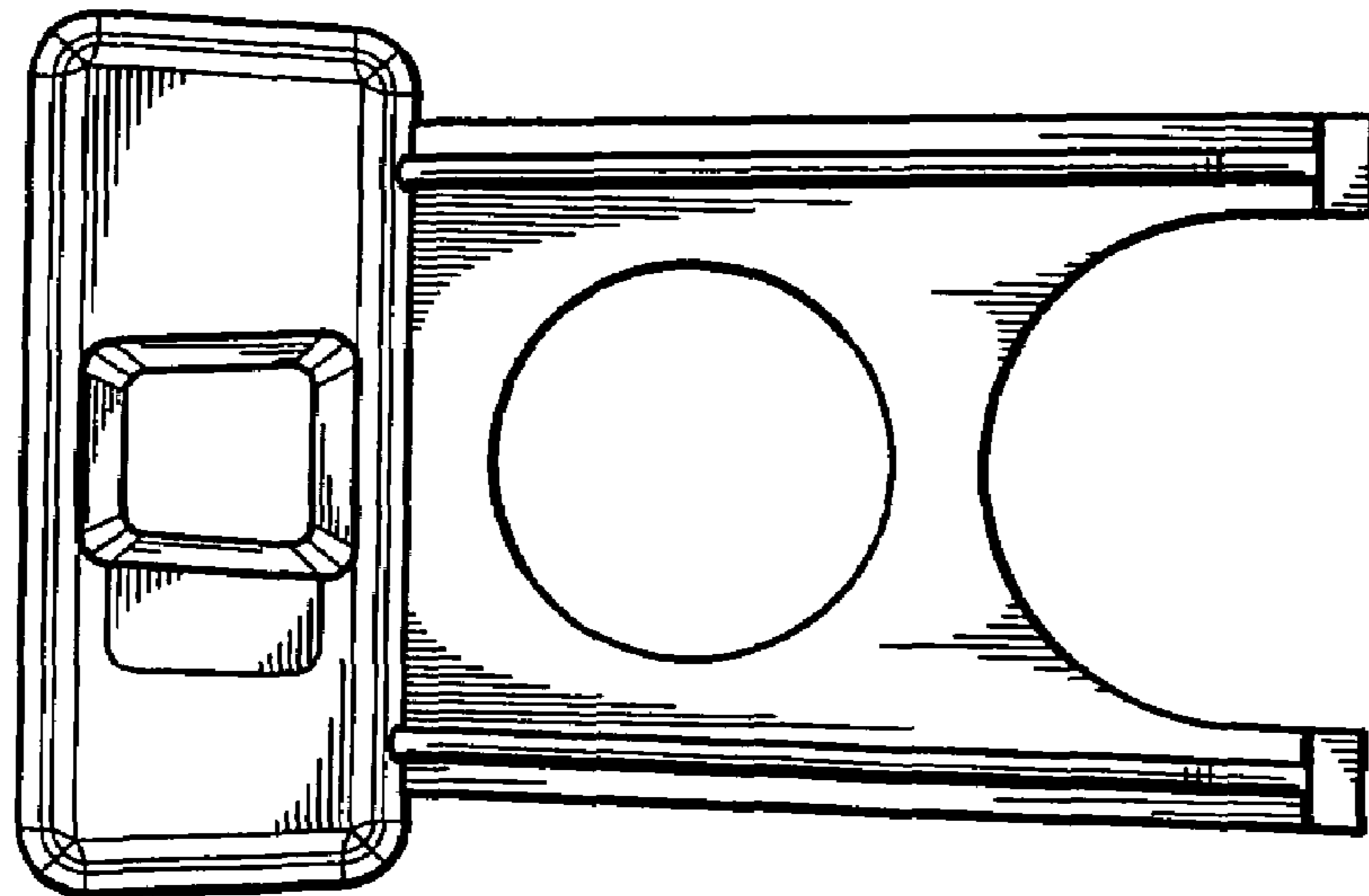
FIG. 1 is a perspective view of the tool holder;  
FIG. 2 is a top plan view of the tool holder;  
FIG. 3 is a left side elevational view of the tool holder, the  
right side elevational view being a mirror image thereof;  
FIG. 4 is a bottom plan view of the tool holder;  
FIG. 5 is a rear elevational view of the tool holder; and,  
FIG. 6 is a front elevational view of the tool holder.

**1 Claim, 2 Drawing Sheets**





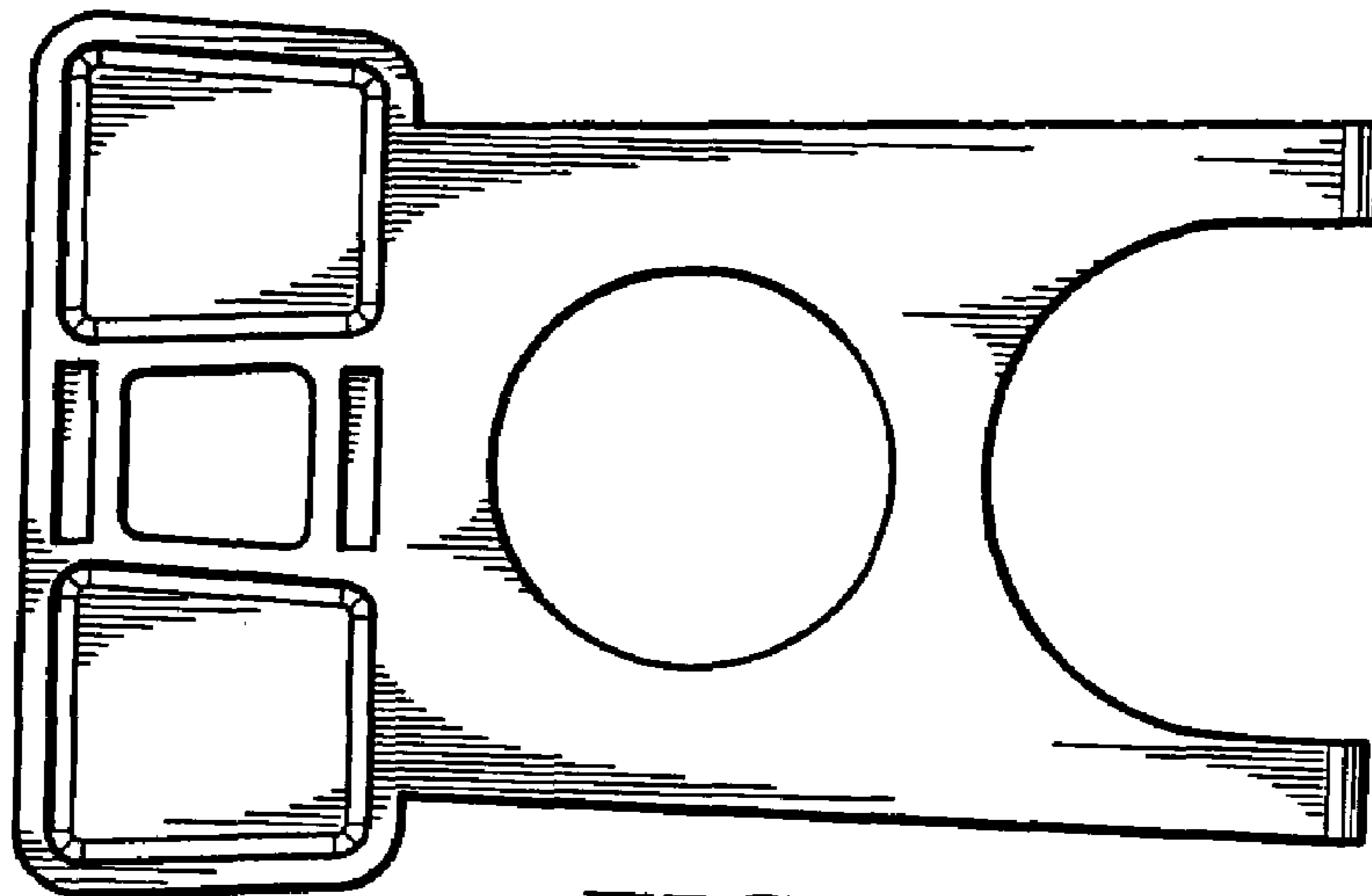
*FIG. 1*



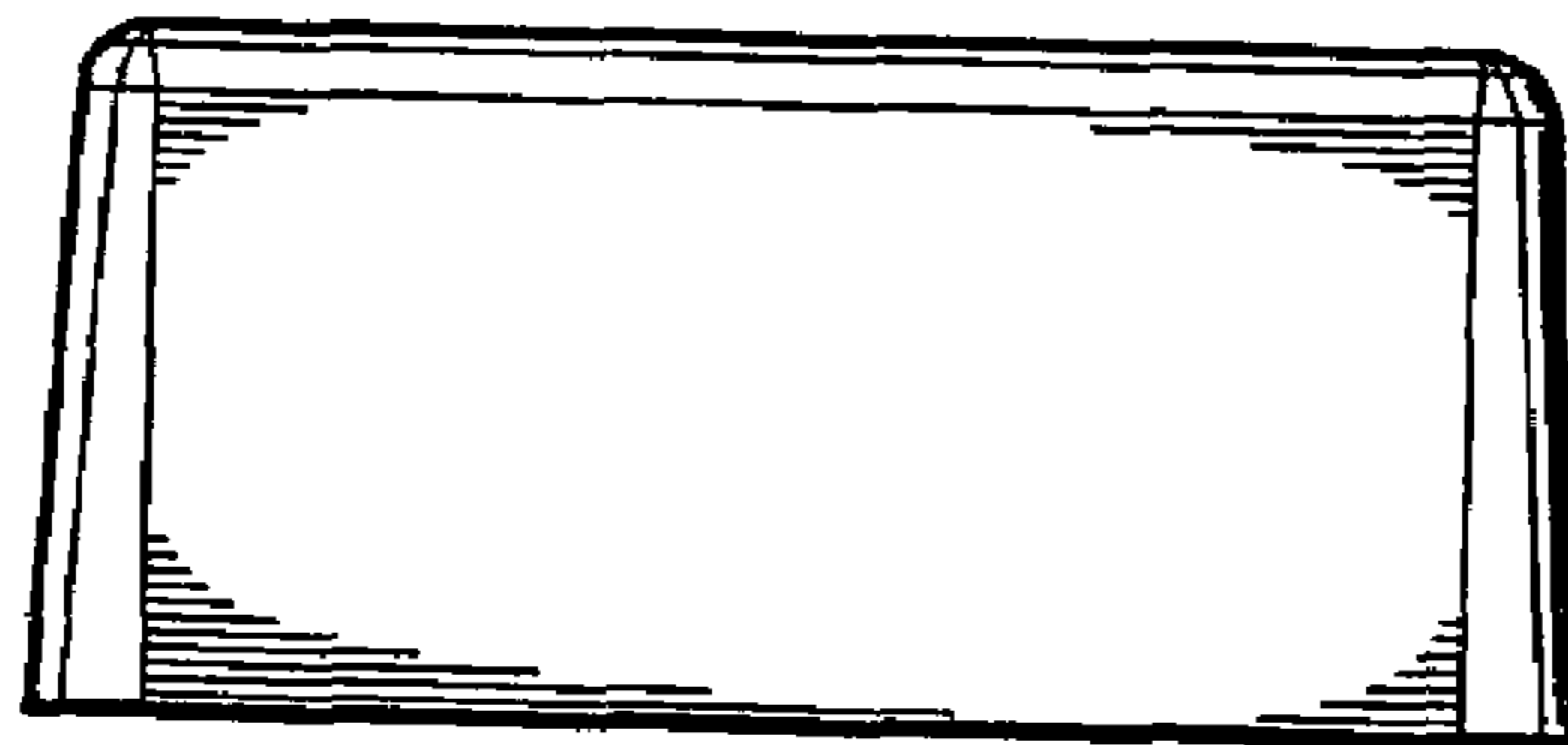
*FIG. 2*



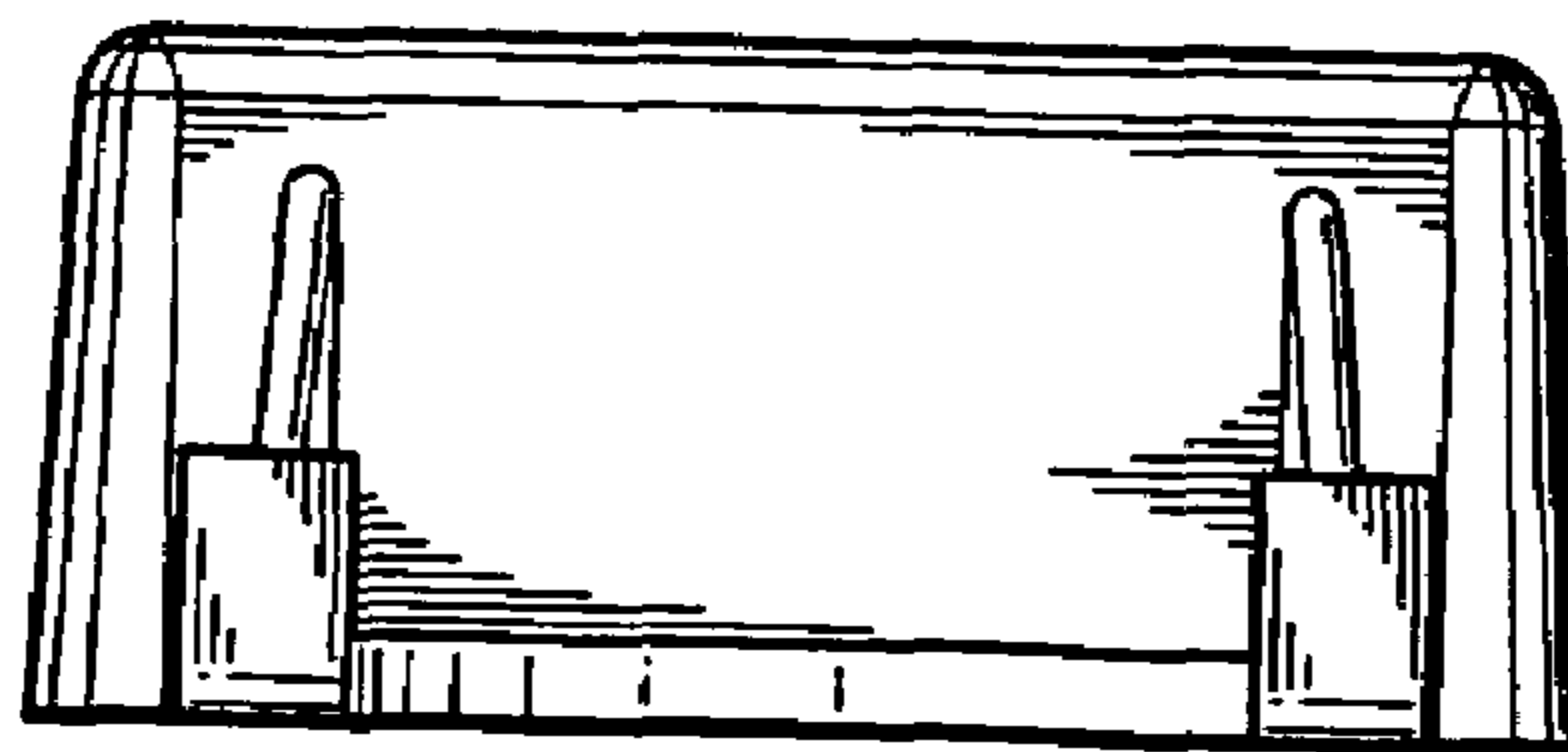
*FIG. 3*



*FIG. 4*



*FIG. 5*



*FIG. 6*