



US00D567559S

(12) **United States Design Patent**
Blazer

(10) **Patent No.:** **US D567,559 S**

(45) **Date of Patent:** **** Apr. 29, 2008**

(54) **STORAGE RACK FOR SPORTS BALLS**

D557,540 S * 12/2007 Maycock D6/552

(75) Inventor: **Harold L. Blazer**, Wray, CO (US)

* cited by examiner

(73) Assignee: **Redblaze, L.L.C.**, Minden, NE (US)

Primary Examiner—Brian N Vinson

(74) *Attorney, Agent, or Firm*—W. Scott Carson

(**) Term: **14 Years**

(21) Appl. No.: **29/278,131**

(57) **CLAIM**

(22) Filed: **Mar. 20, 2007**

The ornamental design for a storage rack for sports balls, as shown and described.

(51) **LOC (8) Cl.** **08-08**

DESCRIPTION

(52) **U.S. Cl.** **D6/552**

(58) **Field of Classification Search** D6/552,
D6/566, 396, 397, 449, 455; D21/785; 108/28,
108/59, 91, 150; 206/315.91; 211/13.1,
211/14; 248/309.1

FIG. 1 is a perspective view of a storage rack for sports balls showing my new design. The broken lines in the drawing are for illustrative purposes only and form no part of the claimed design.

See application file for complete search history.

FIG. 2 is a perspective view thereof.

(56) **References Cited**

FIG. 3 is a front elevational view thereof, the rear elevational view being a mirror image thereof.

U.S. PATENT DOCUMENTS

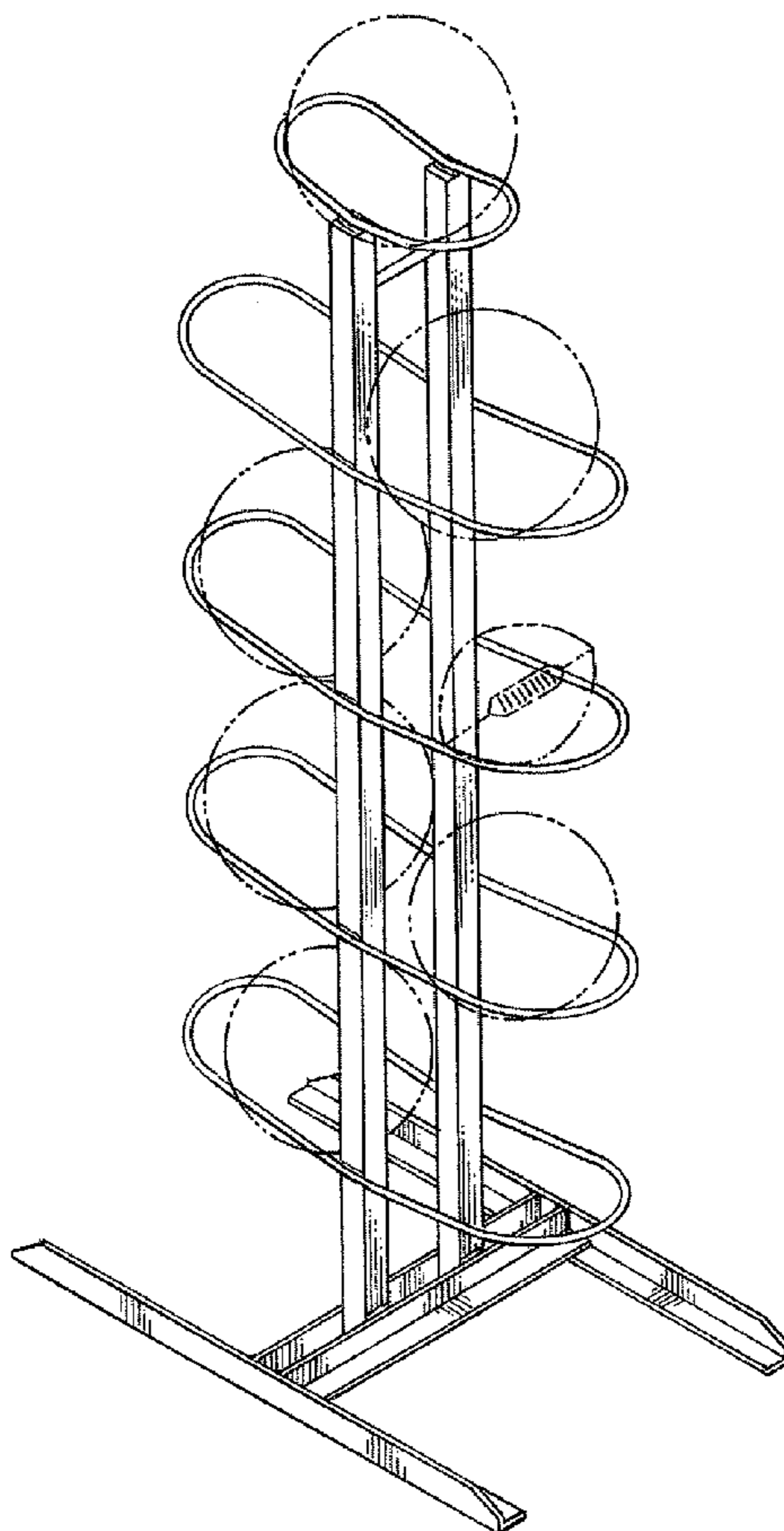
FIG. 4 is a right side elevational view, the left side elevational view being a mirror image thereof.

D248,809 S *	8/1978	Kailey	D6/552
D314,110 S *	1/1991	Ohno	D6/552
D389,688 S *	1/1998	Iacono	D6/552
D499,921 S *	12/2004	Moon et al.	D6/552
D535,511 S *	1/2007	Peffley	D6/552
D540,409 S *	4/2007	Martin et al.	D6/552

FIG. 5 is a top plan view thereof; and,

FIG. 6 is a bottom plan view thereof.

1 Claim, 4 Drawing Sheets



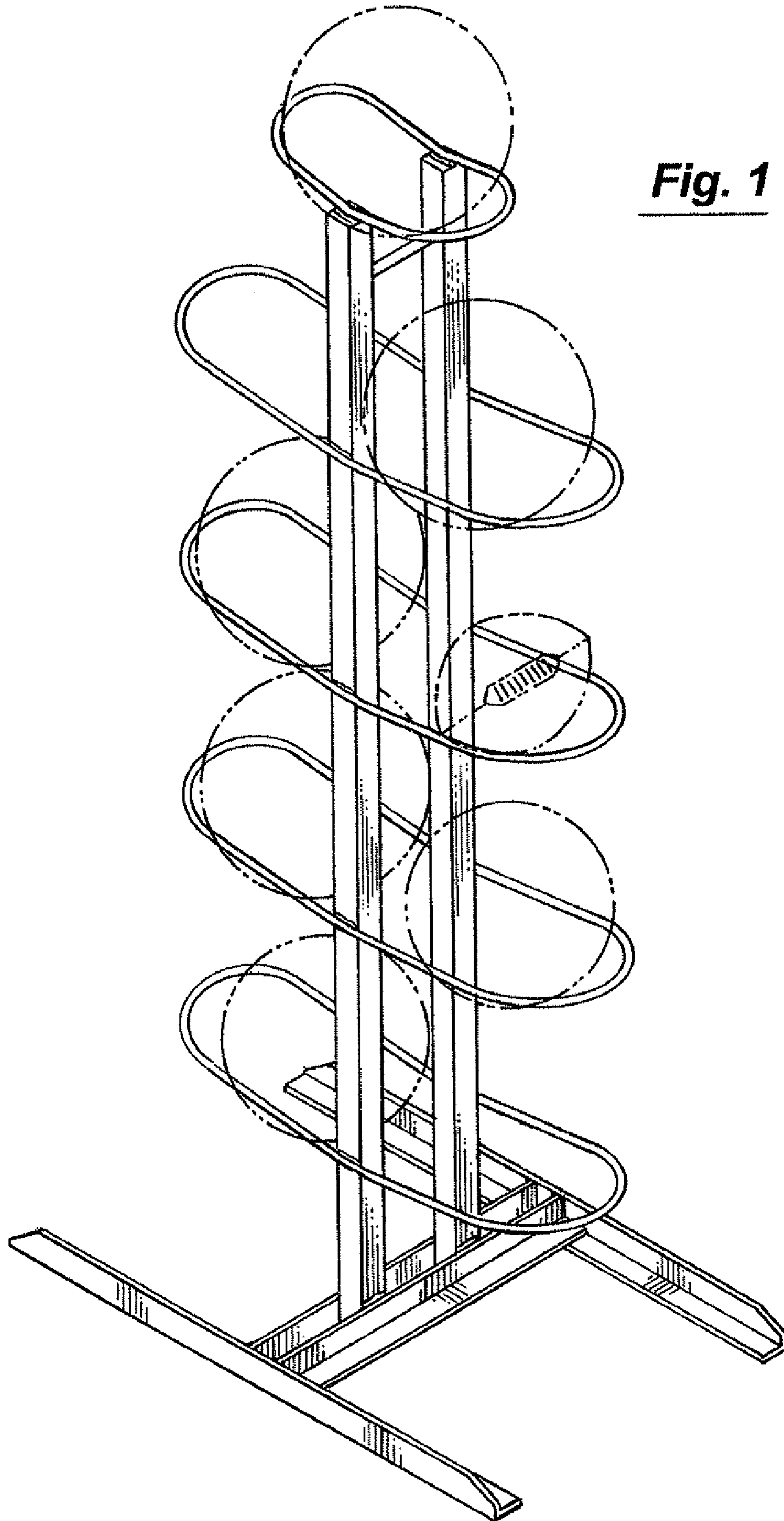


Fig. 1

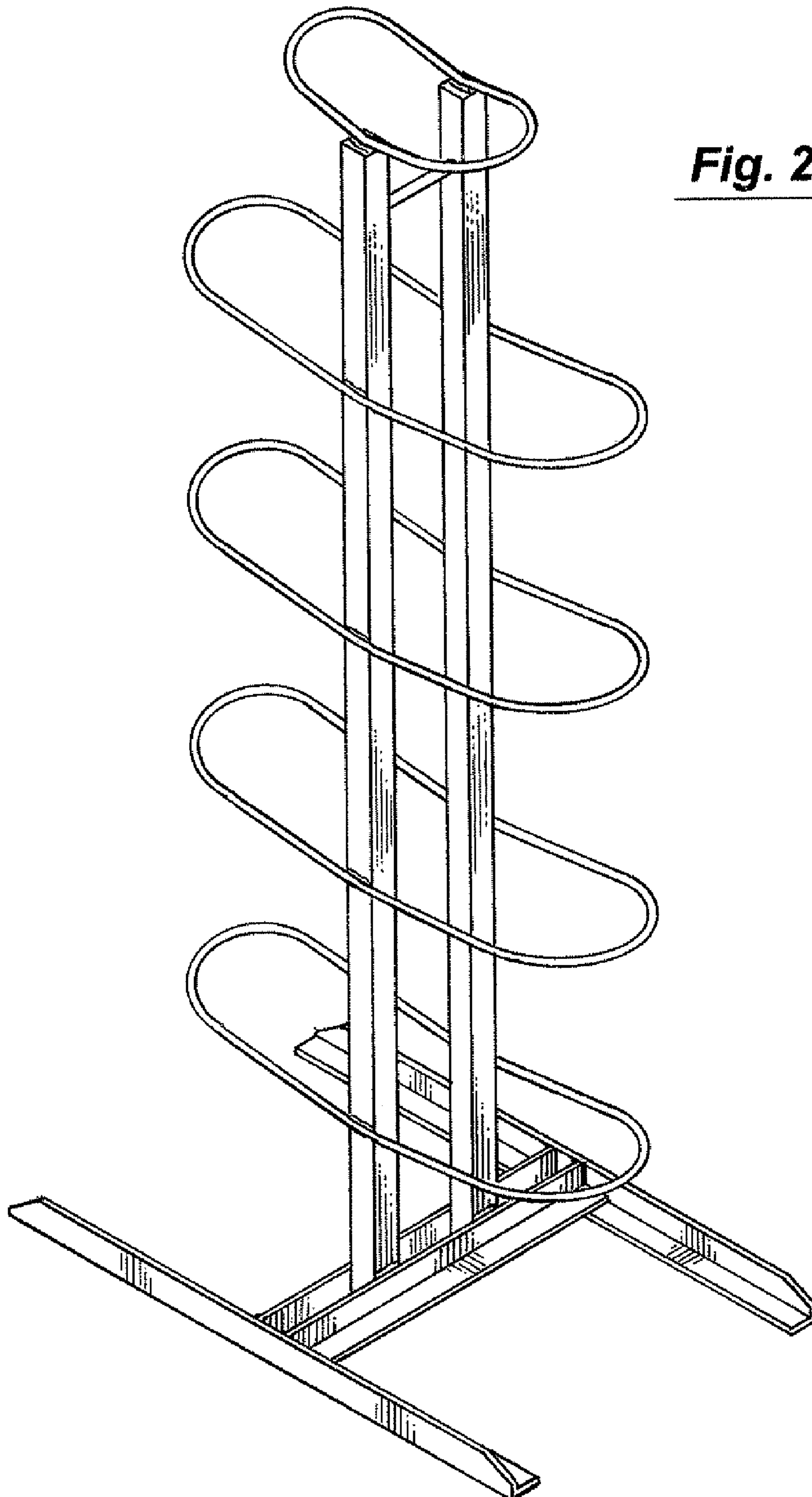


Fig. 2

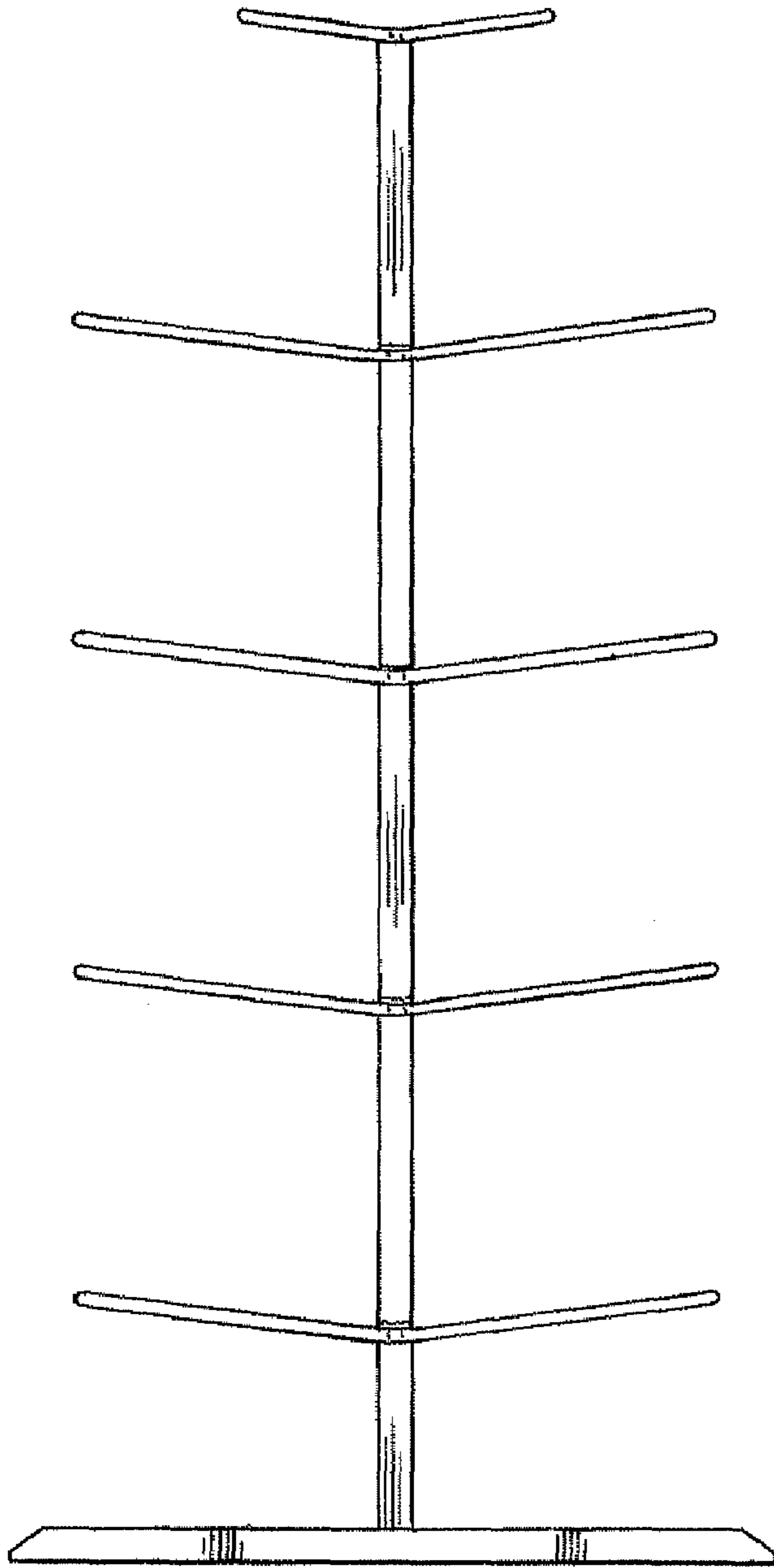


Fig. 3

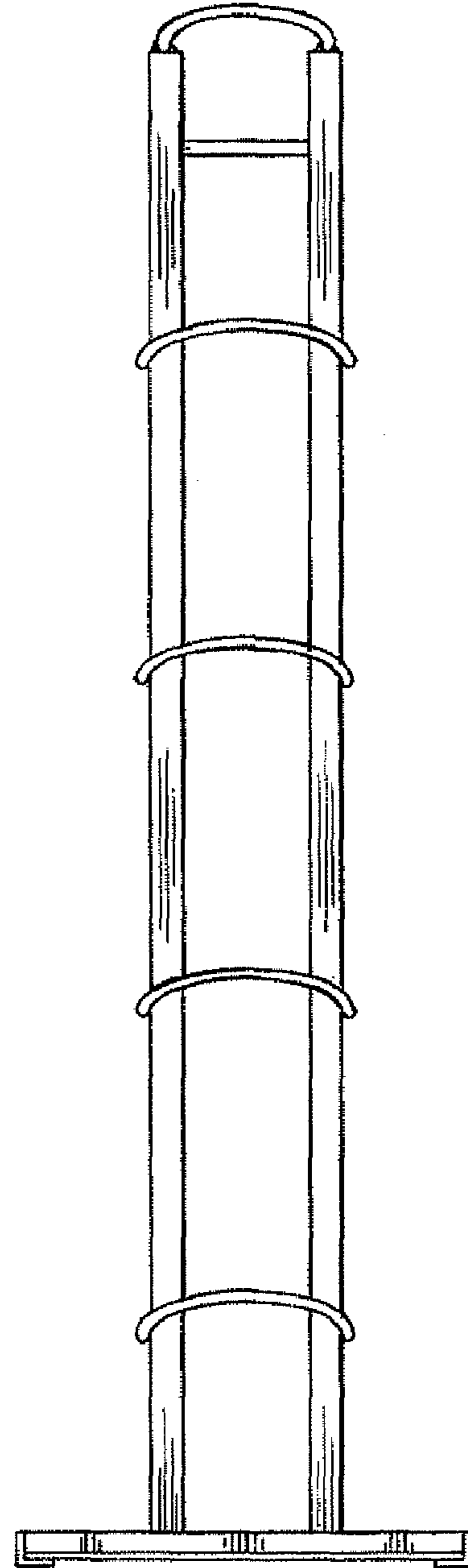


Fig. 4

Fig. 5

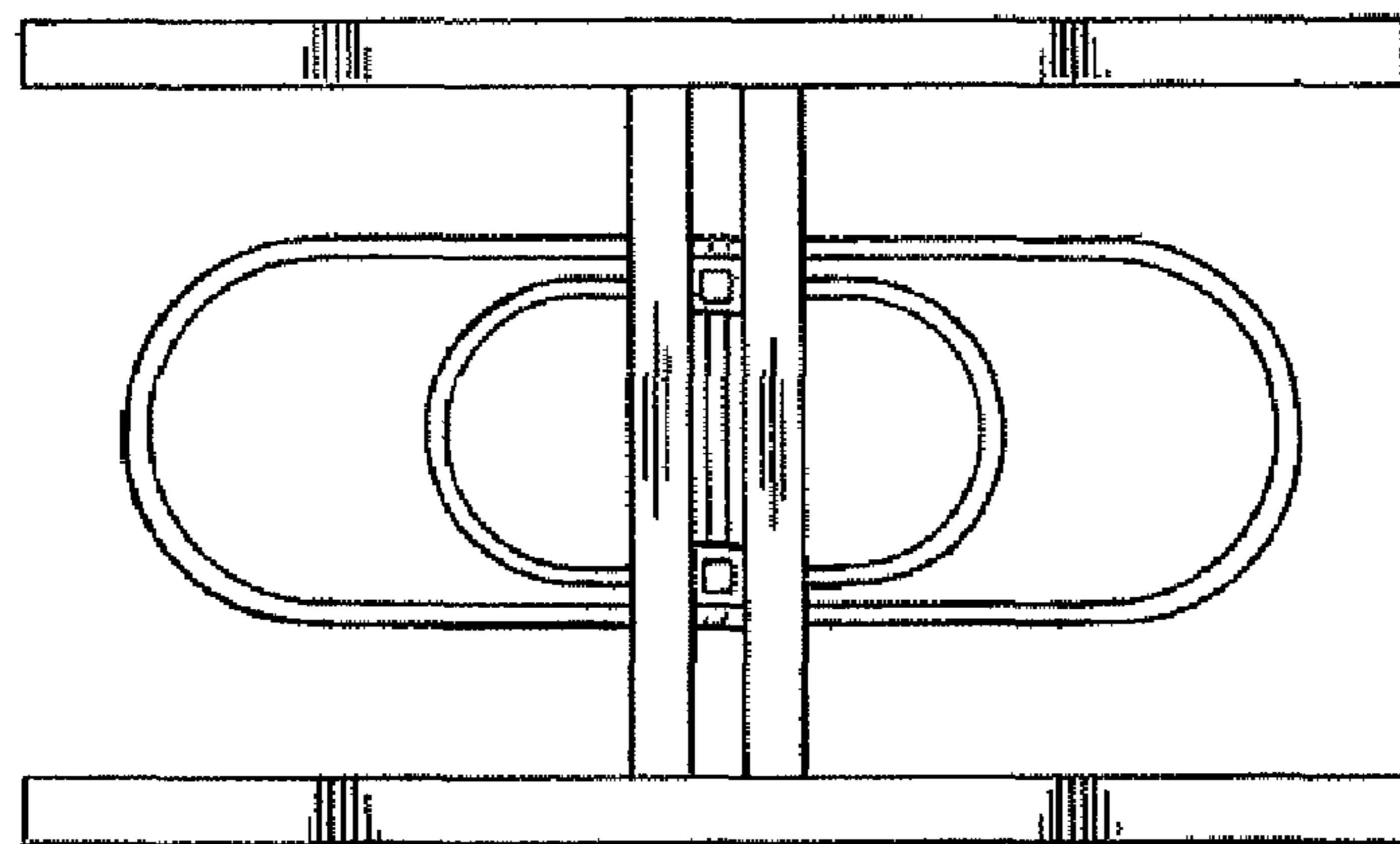
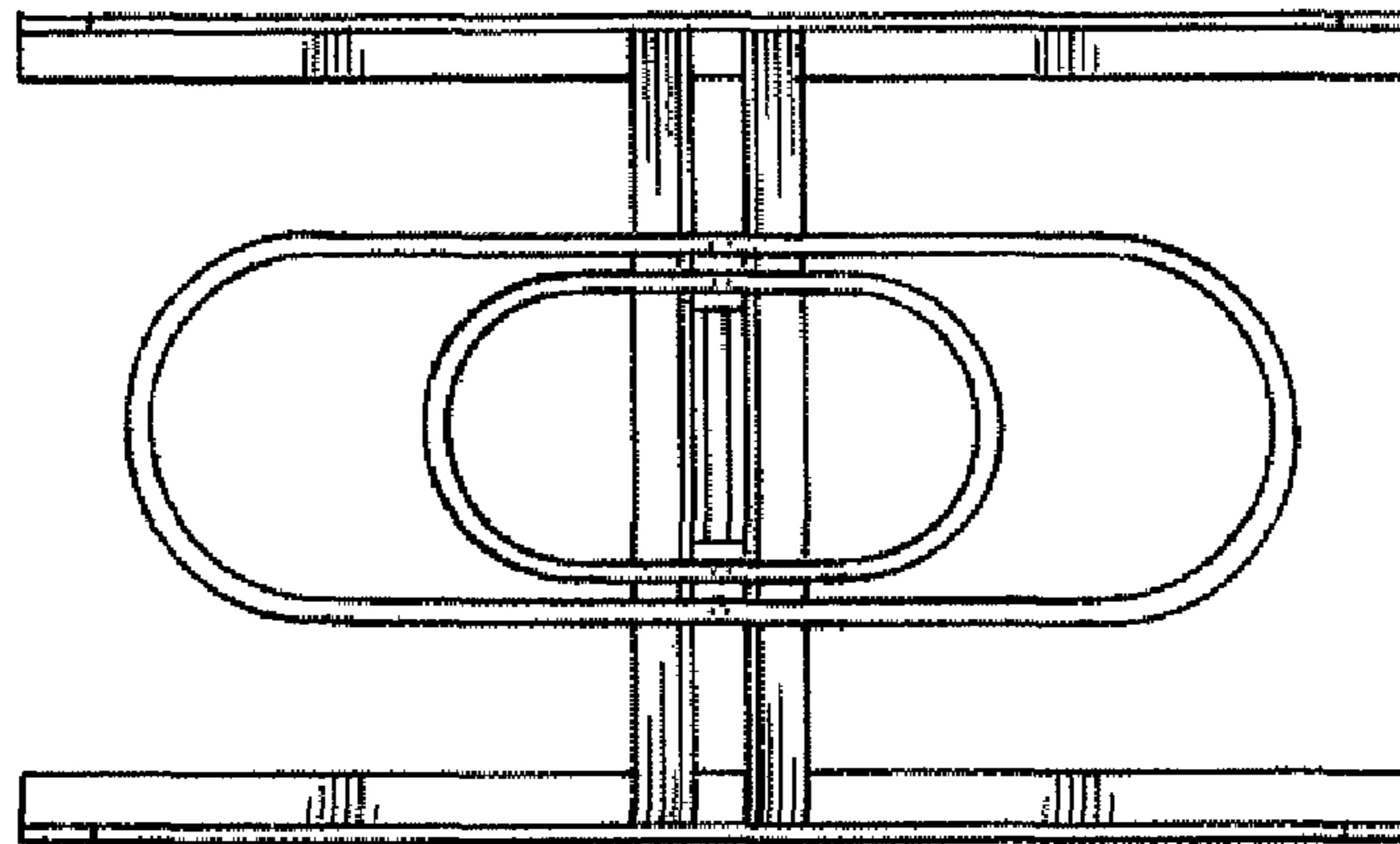


Fig. 6