



US00D567558S

(12) **United States Design Patent** (10) **Patent No.:** **US D567,558 S**
Rubin (45) **Date of Patent:** **** Apr. 29, 2008**

(54) **CONTAINER ACCESSORY**

(75) Inventor: **Leila M. Rubin**, Sheboygan, WI (US)

(73) Assignee: **Kohler Co.**, Kohler, WI (US)

(**) Term: **14 Years**

(21) Appl. No.: **29/279,806**

(22) Filed: **May 8, 2007**

(51) **LOC (8) Cl.** **06-02**

(52) **U.S. Cl.** **D6/534**

(58) **Field of Classification Search** D6/524,
D6/526, 527, 528, 534; 206/228, 208, 209,
206/209.1, 361, 362, 362.1, 362.2, 362.3;
211/13.1, 65, 66, 70.6, 86.01, 87.01; D9/456
See application file for complete search history.

(56) **References Cited**

U.S. PATENT DOCUMENTS

D320,942 S *	10/1991	Lillelund et al.	D9/456
D391,793 S *	3/1998	Sussman	D6/534
D428,288 S *	7/2000	Mahlmann	D6/534
D530,122 S *	10/2006	Snell	D6/534
D539,582 S *	4/2007	Starck et al.	D6/534
D546,607 S *	7/2007	Dretzka	D6/534

OTHER PUBLICATIONS

D.I.G.S. "Nile Stones". HomePortfolio.com online catalog. Copyright 1997-2007 HomePortfolio Inc.
Bissonnet. "FLOAT Wall-mount Canister". HomePortfolio.com online catalog. Copyright 1997-2007 HomePortfolio Inc.
Artistcraft. "Stainless Tooth Brush Holder". Artistcraft.com online catalog. Copyright 2005 Artistcraft shower doors.

* cited by examiner

Primary Examiner—Brian N Vinson
(74) *Attorney, Agent, or Firm*—Quarles & Brady LLP

(57) **CLAIM**

The ornamental design for a container accessory, as shown and described.

DESCRIPTION

In a preferred embodiment, the nature of this product is a container accessory, such as a tumbler or tissue box.

FIG. 1 is a right, top, front perspective view of a wall mountable support according to my new design;

FIG. 2 is a top plan view thereof;

FIG. 3 is a front elevational view thereof, the rear elevational view and the left and right side elevational views thereof being identical to the front shown;

FIG. 4 is a bottom plan view thereof;

FIG. 5 is a right, top, front perspective view of a wall mountable support according to another embodiment of my new design;

FIG. 6 is a top plan view thereof;

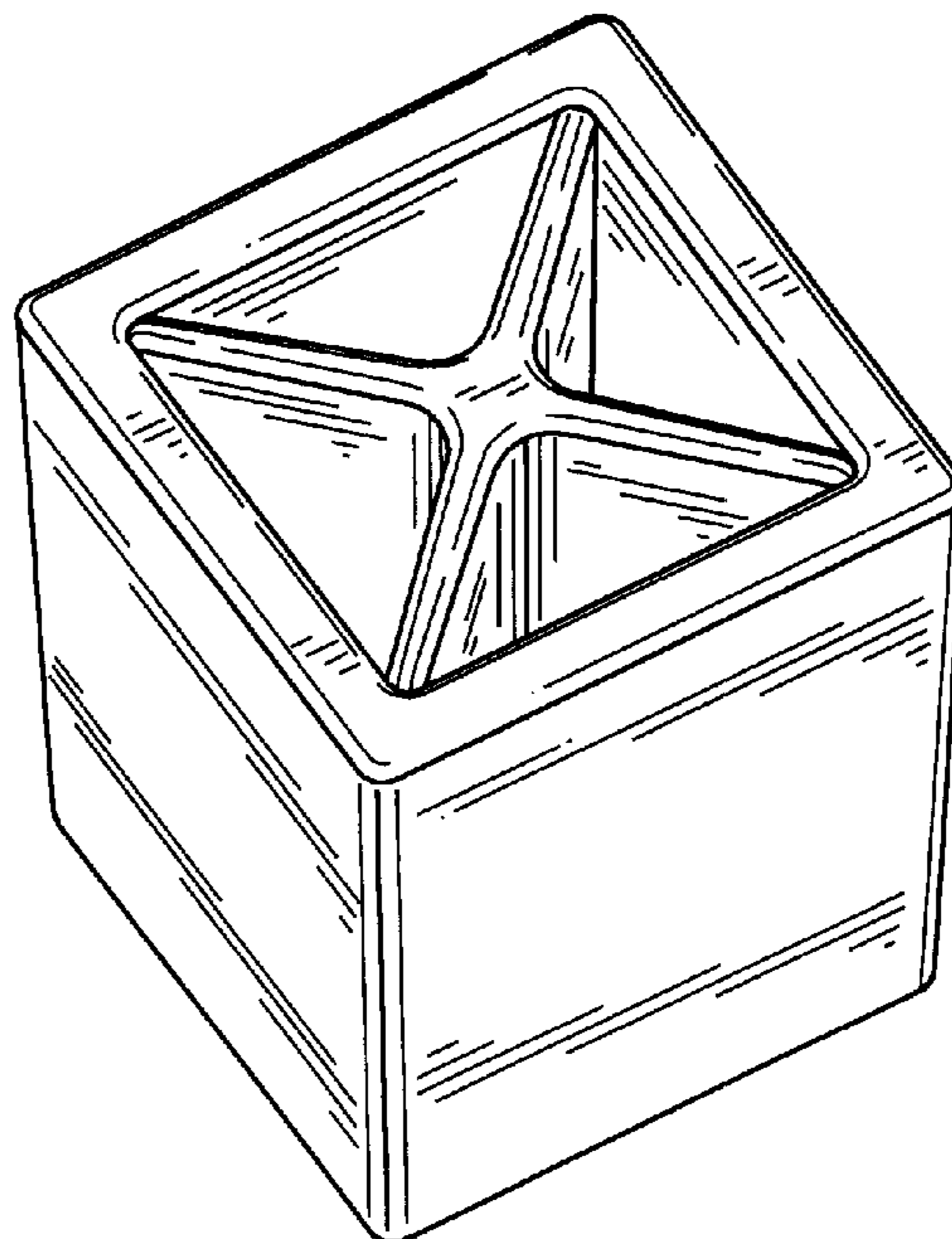
FIG. 7 is a front elevational view thereof, the rear elevational view thereof being identical to the front shown;

FIG. 8 is a right side view thereof, the left side view thereof being identical to the right side shown; and,

FIG. 9 is a bottom plan view thereof.

The broken line representations in the figures are for the purpose of illustration only, and form no part of the claimed design.

1 Claim, 5 Drawing Sheets



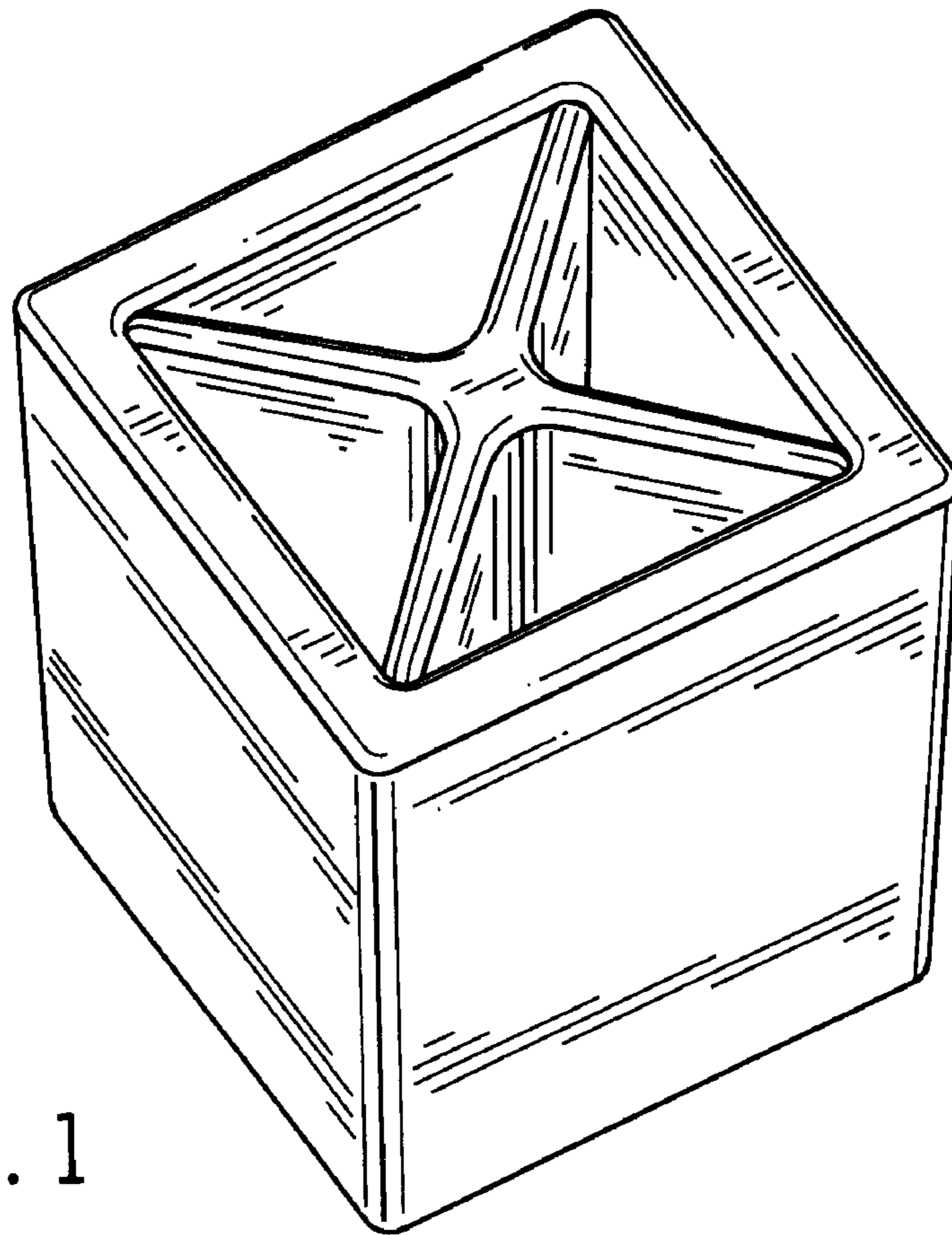


FIG. 1

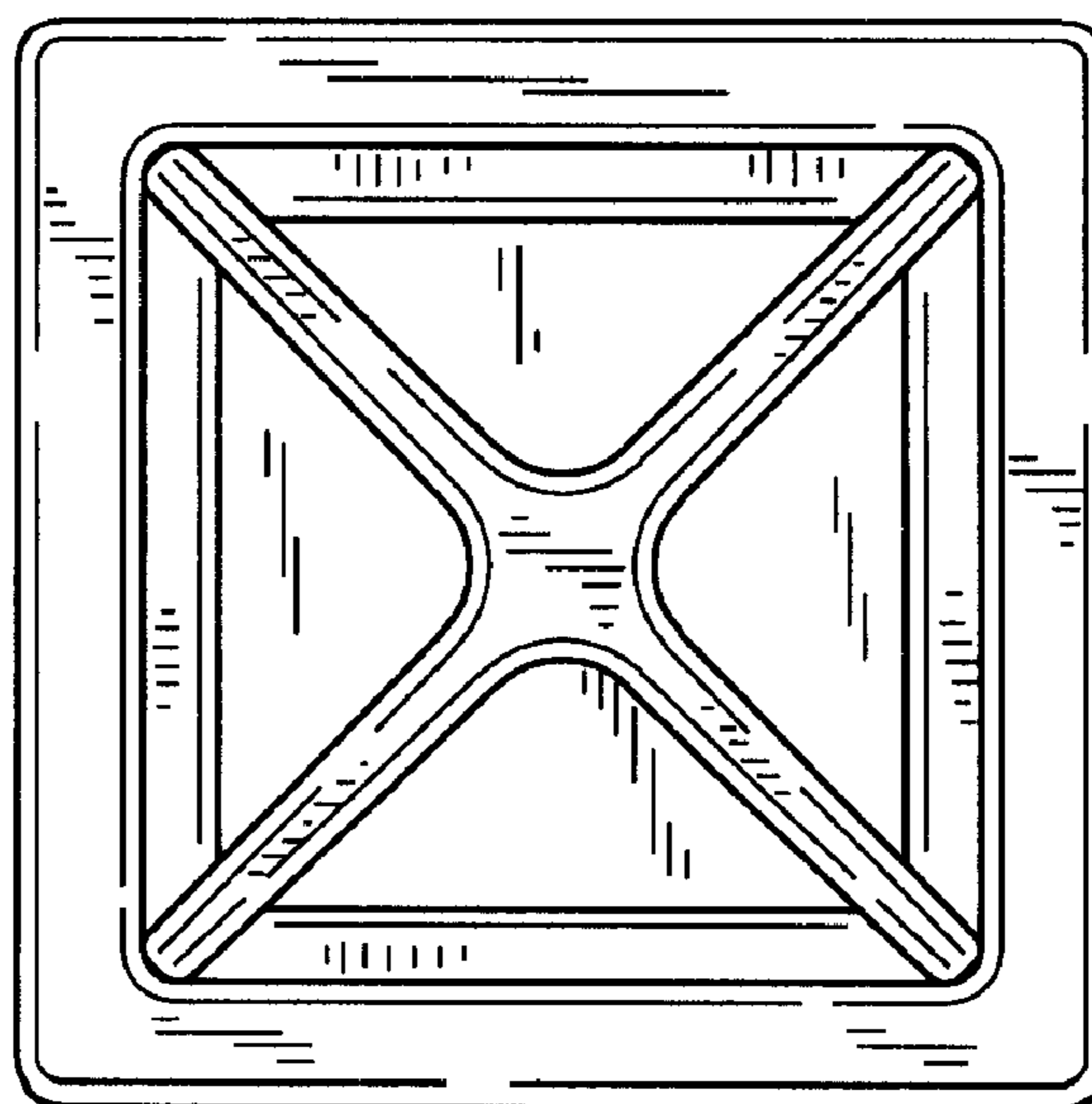


FIG. 2

FIG. 3

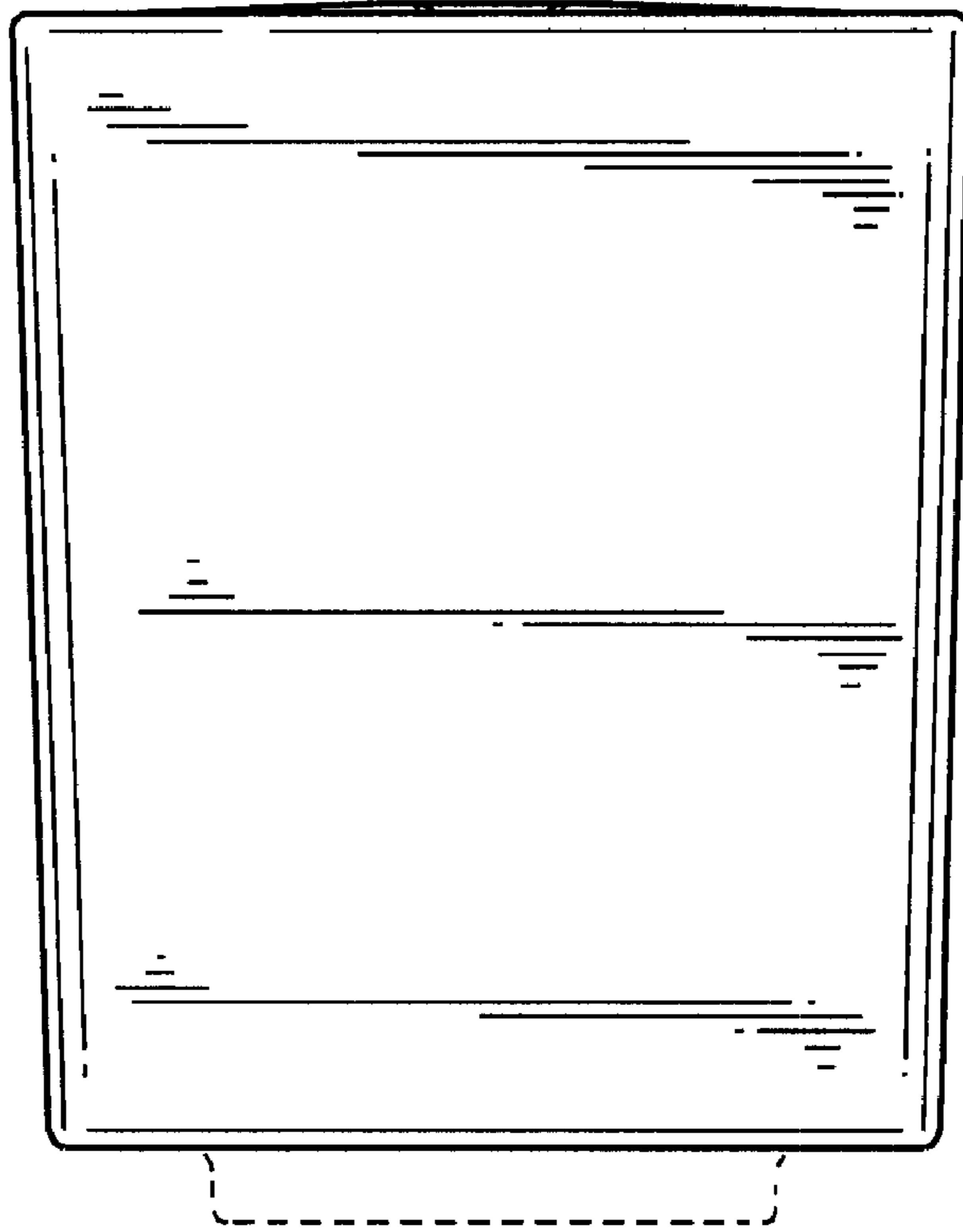
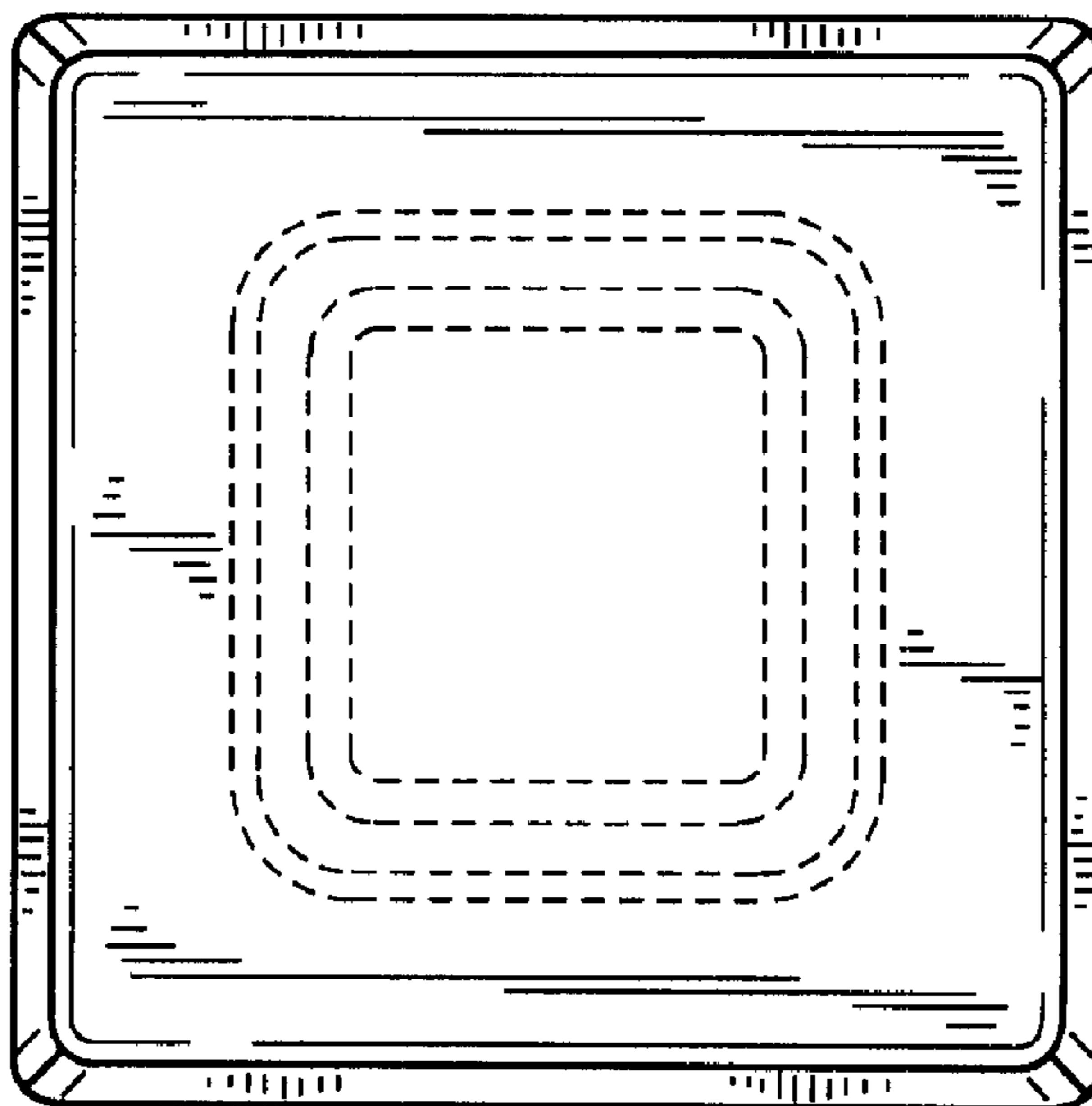


FIG. 4



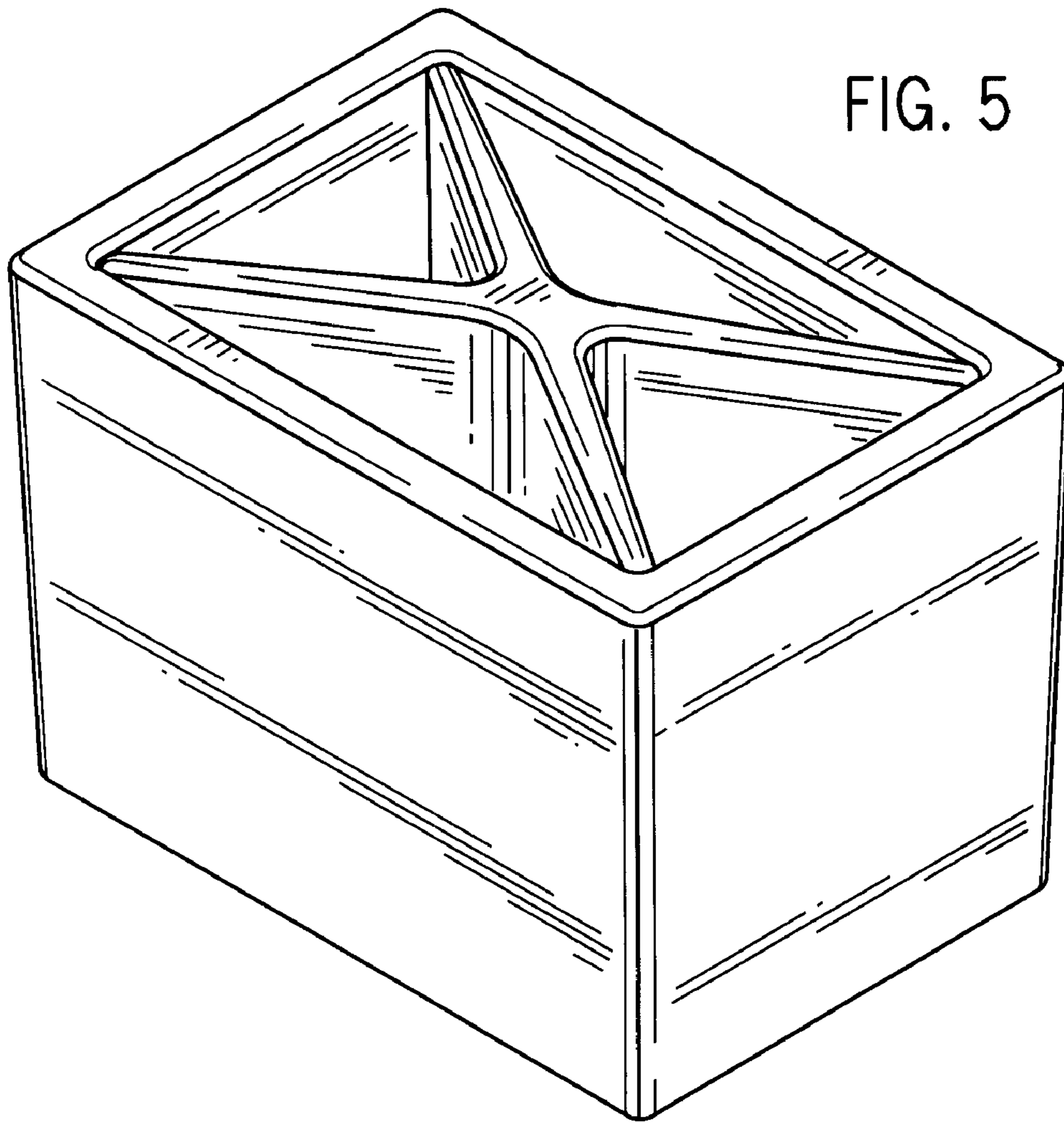


FIG. 5

FIG. 6

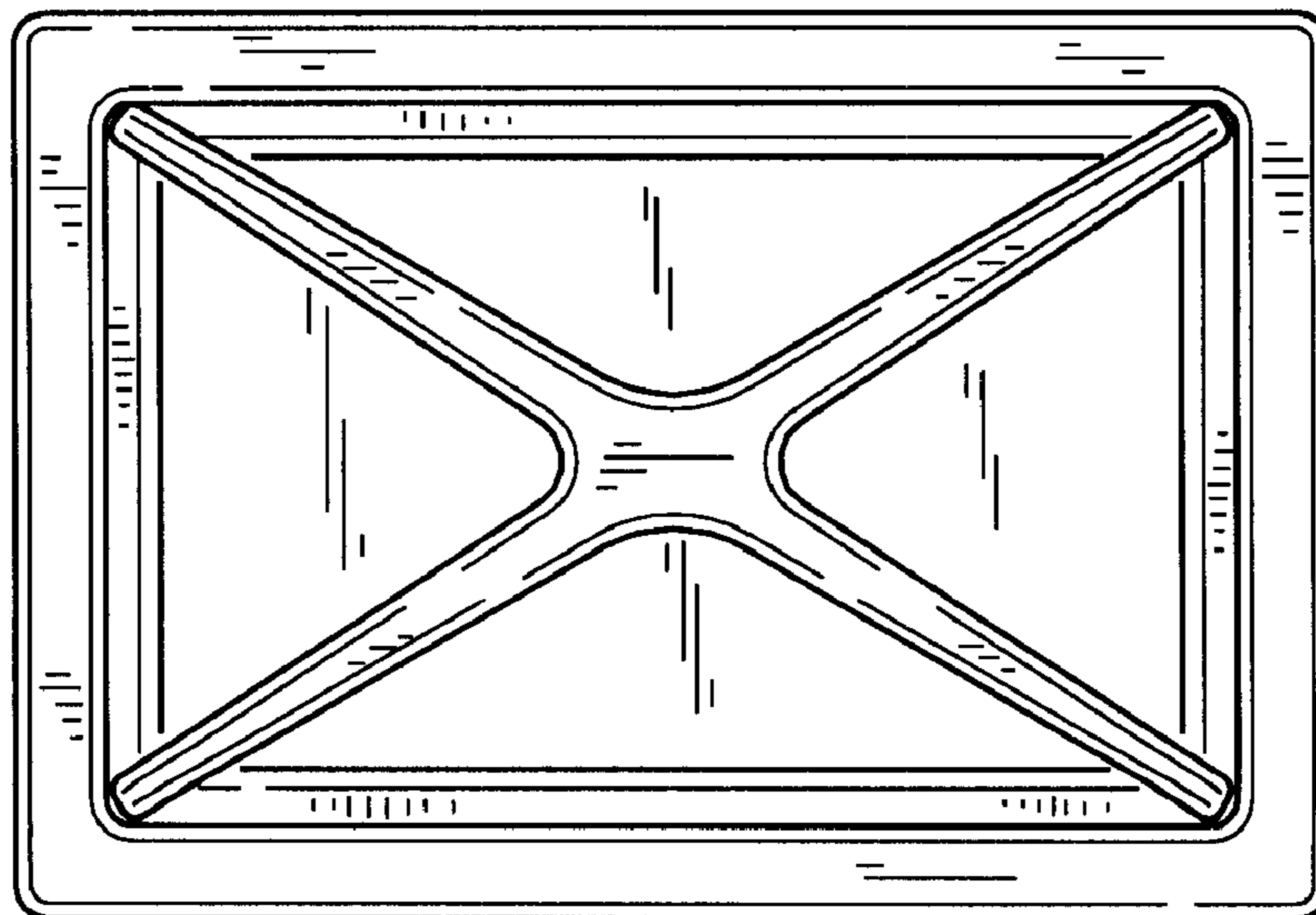


FIG. 7

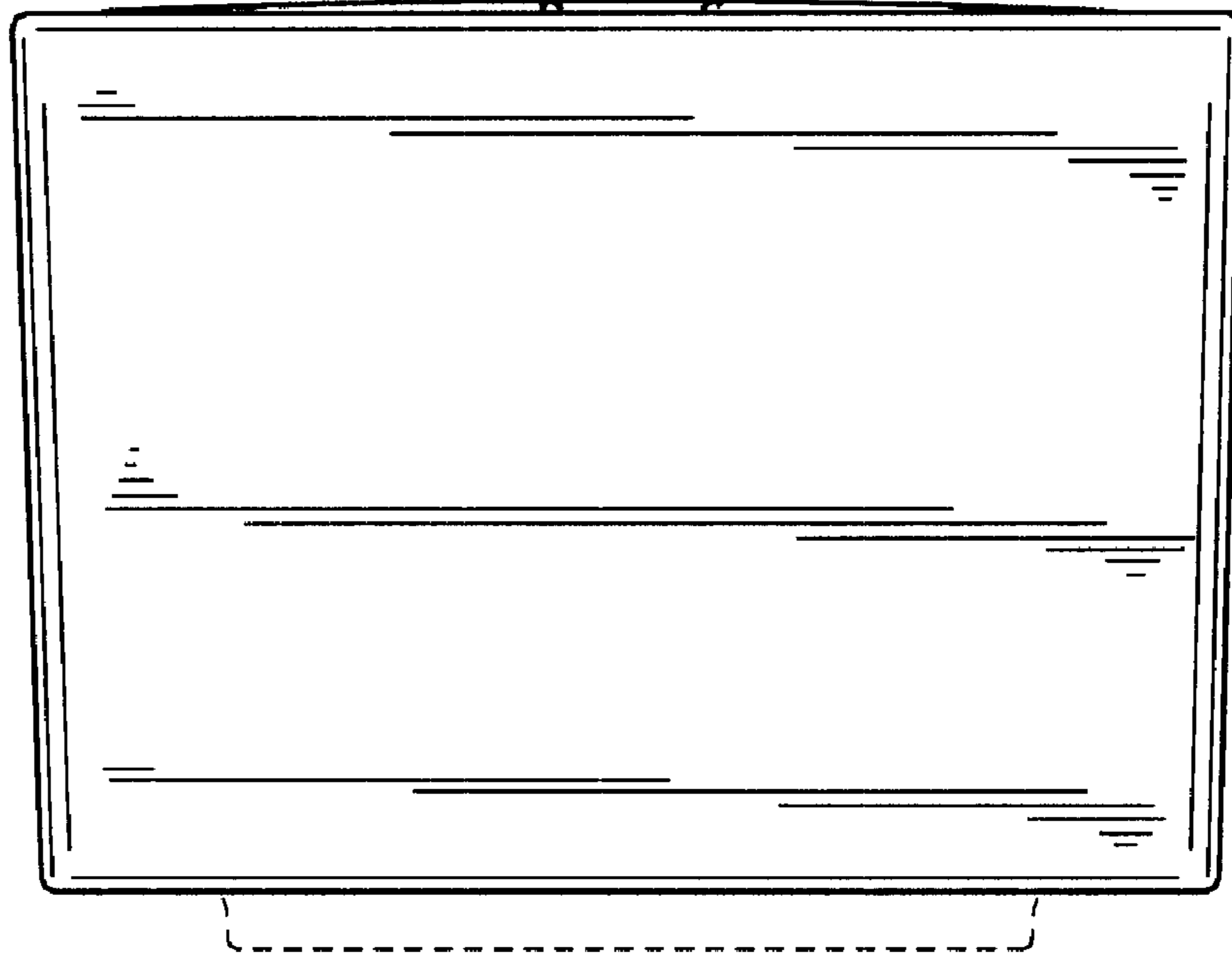
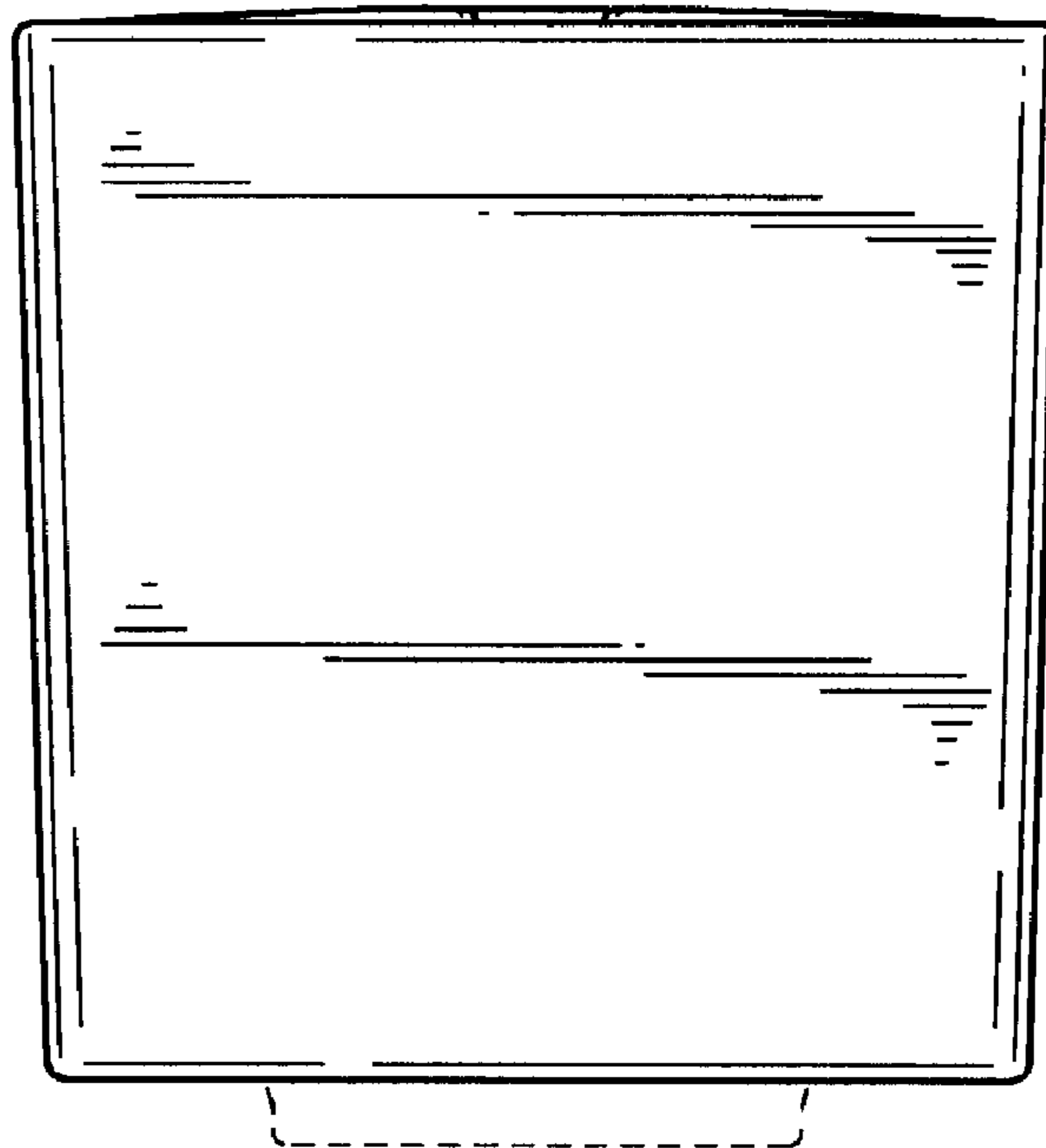


FIG. 8



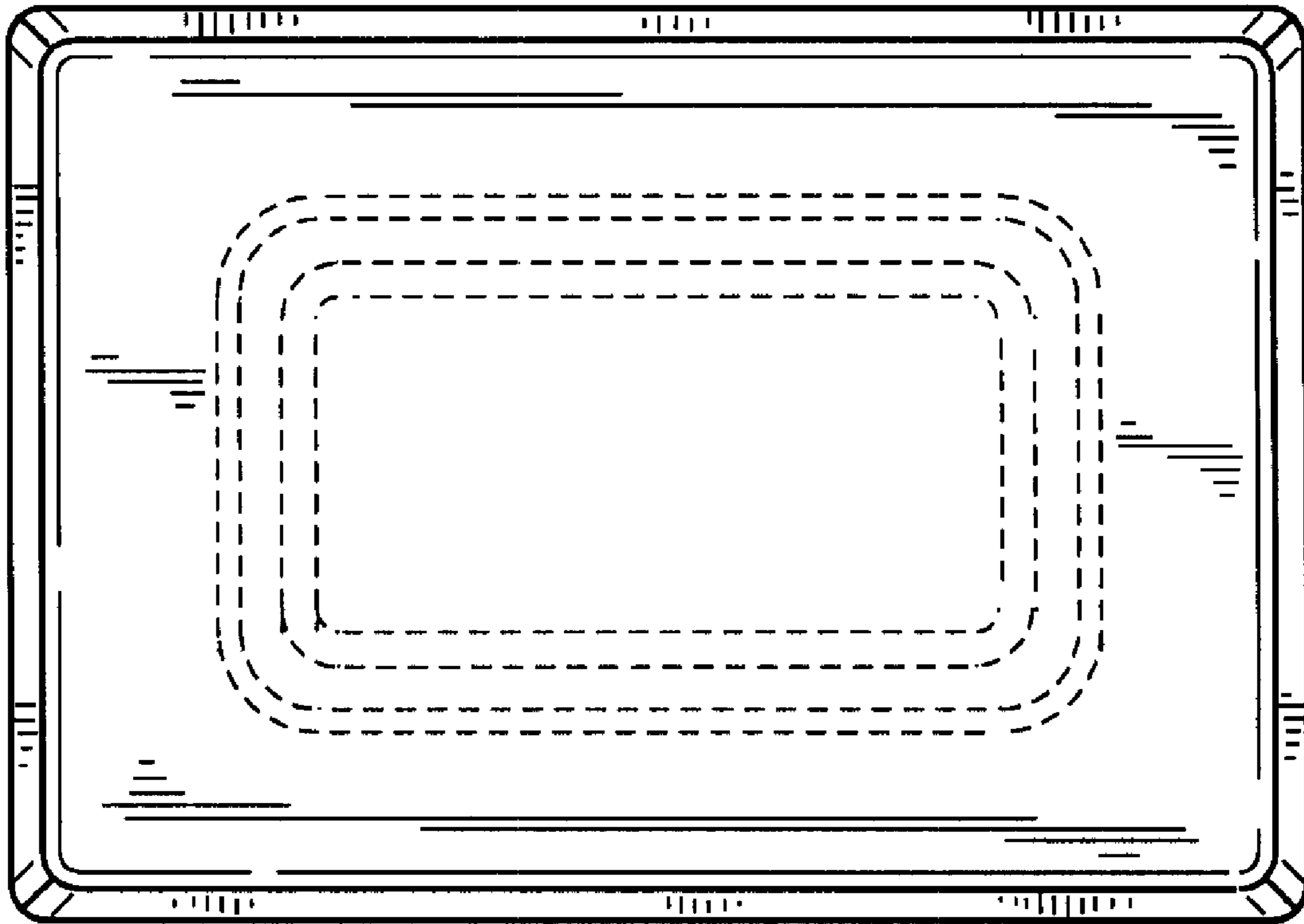


FIG. 9