



US00D567556S

(12) **United States Design Patent**  
**Orgna et al.**

(10) **Patent No.: US D567,556 S**

(45) **Date of Patent: \*\* Apr. 29, 2008**

(54) **DISPENSER FOR PAPER ON A ROLL**

(75) Inventors: **Peter Orgna**, Gothenburg (SE); **Kent Zeiron**, Gothenburg (SE); **Peter Von Zweigbergk**, Vasteras (SE)

(73) Assignee: **SCA Hygiene Products AB**, Gothenburg (SE)

(\*\*) Term: **14 Years**

(21) Appl. No.: **29/256,207**

(22) Filed: **Mar. 20, 2006**

(30) **Foreign Application Priority Data**

Sep. 20, 2005 (EM) ..... 000403811-0001/0004

(51) **LOC (8) Cl.** ..... **06-04**

(52) **U.S. Cl.** ..... **D6/522**

(58) **Field of Classification Search** ..... D6/515-523;  
242/570, 590; 312/34.8, 34.22, 34.1  
See application file for complete search history.

(56) **References Cited**

**U.S. PATENT DOCUMENTS**

- D316,788 S \* 5/1991 Fischer et al. .... D6/522
- D385,445 S \* 10/1997 Arbak et al. .... D6/522
- D426,412 S \* 6/2000 Cameron ..... D6/522

- D448,223 S \* 9/2001 Fisscher ..... D6/518
- D449,475 S \* 10/2001 Ehrensperger ..... D6/522
- D451,728 S \* 12/2001 Phelps et al. .... D6/522
- D461,983 S \* 8/2002 Omdoll et al. .... D6/522
- D504,041 S \* 4/2005 Dudley et al. .... D6/522

\* cited by examiner

*Primary Examiner*—Brian N Vinson

(74) *Attorney, Agent, or Firm*—Young & Thompson

(57) **CLAIM**

The ornamental design for a dispenser for paper on a roll, as shown and described.

**DESCRIPTION**

FIG. 1 is a top, front and side perspective view of a dispenser for paper on a roll, showing our new design;

FIG. 2 is a front elevational view thereof;

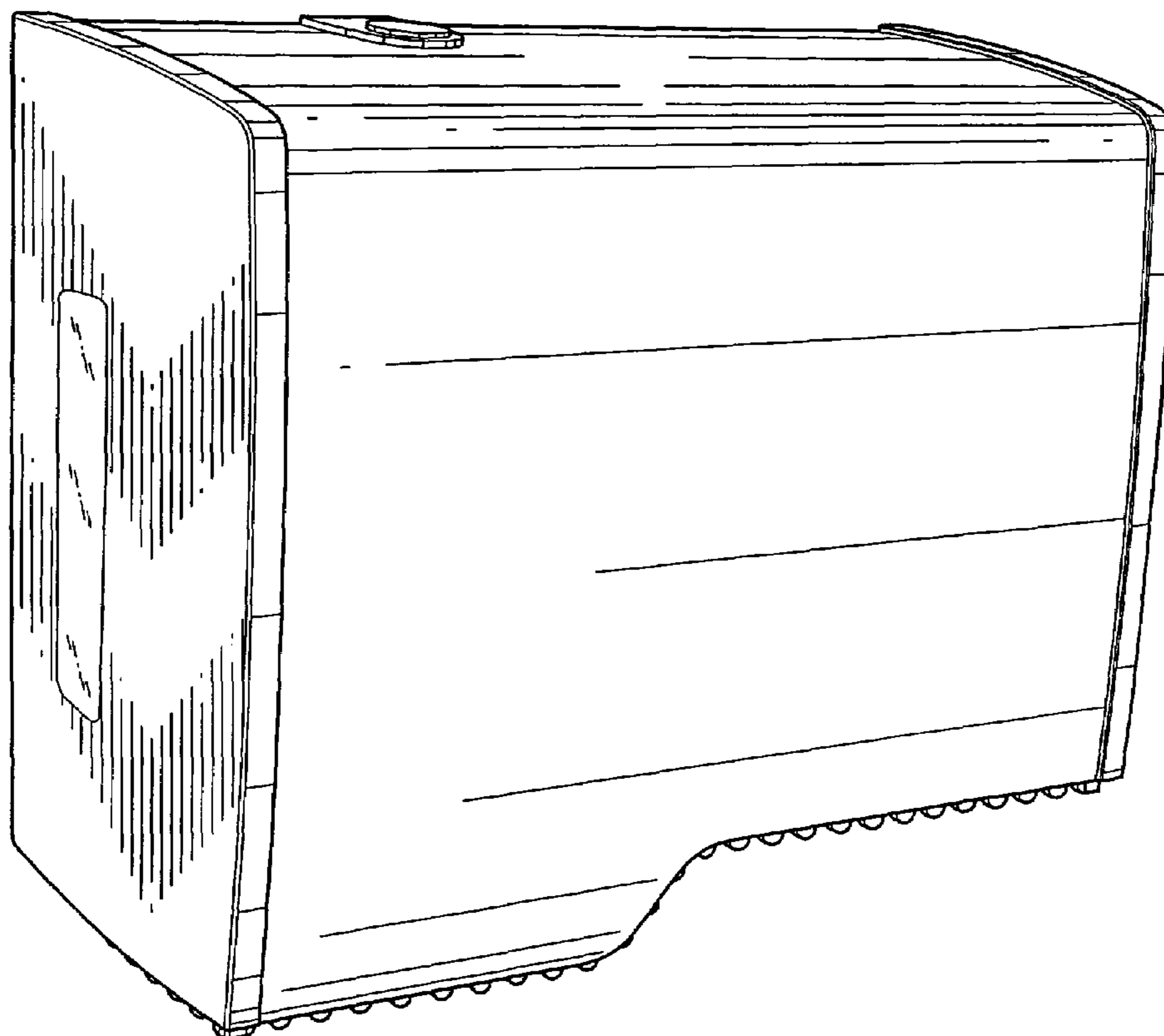
FIG. 3 is a side elevational view thereof from the left of FIG. 2;

FIG. 4 is a top plan view thereof; and,

FIG. 5 is a side elevational view thereof from the right of FIG. 2.

The rear and bottom views are not seen in use and so are not claimed.

**1 Claim, 4 Drawing Sheets**



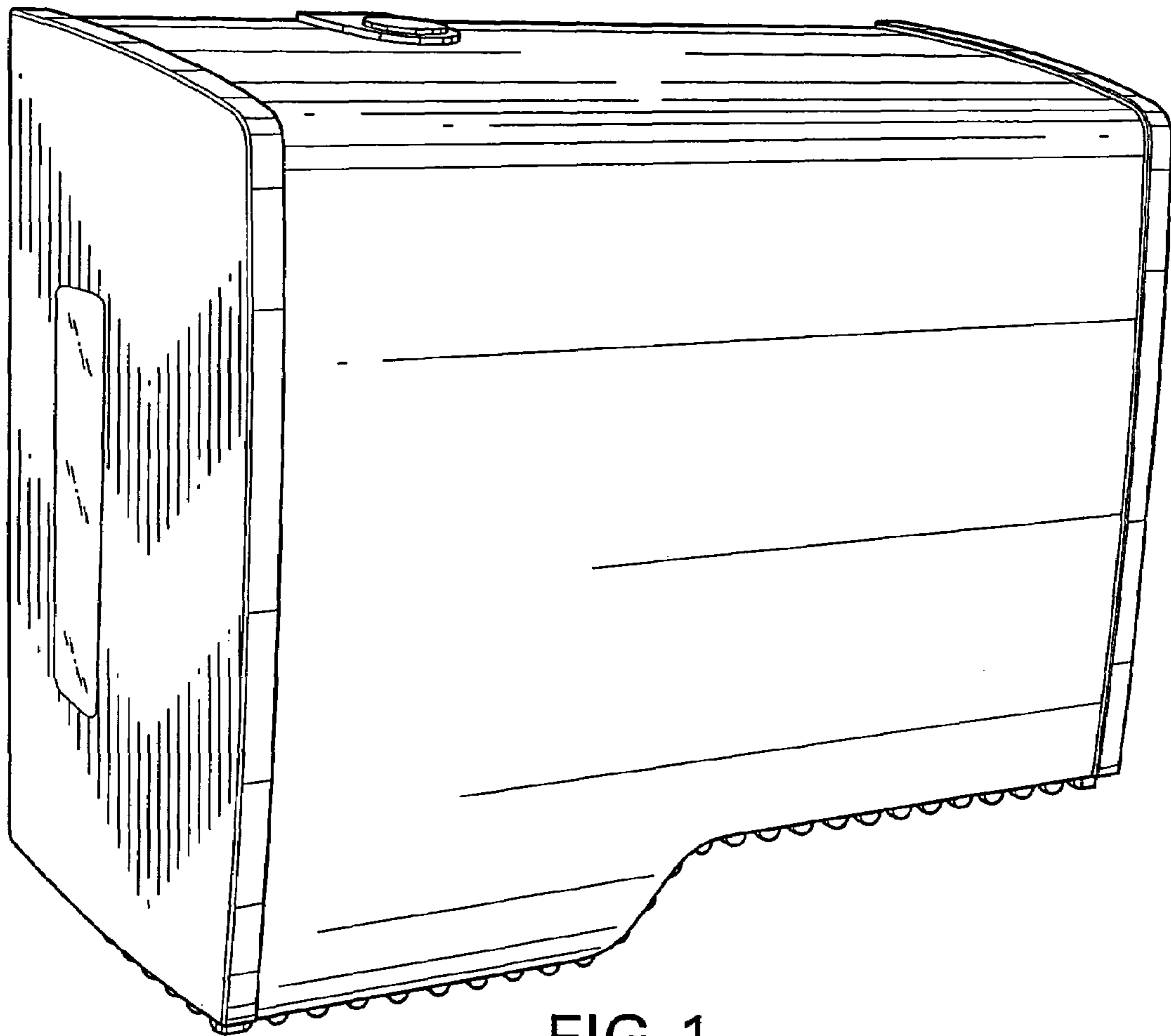


FIG. 1

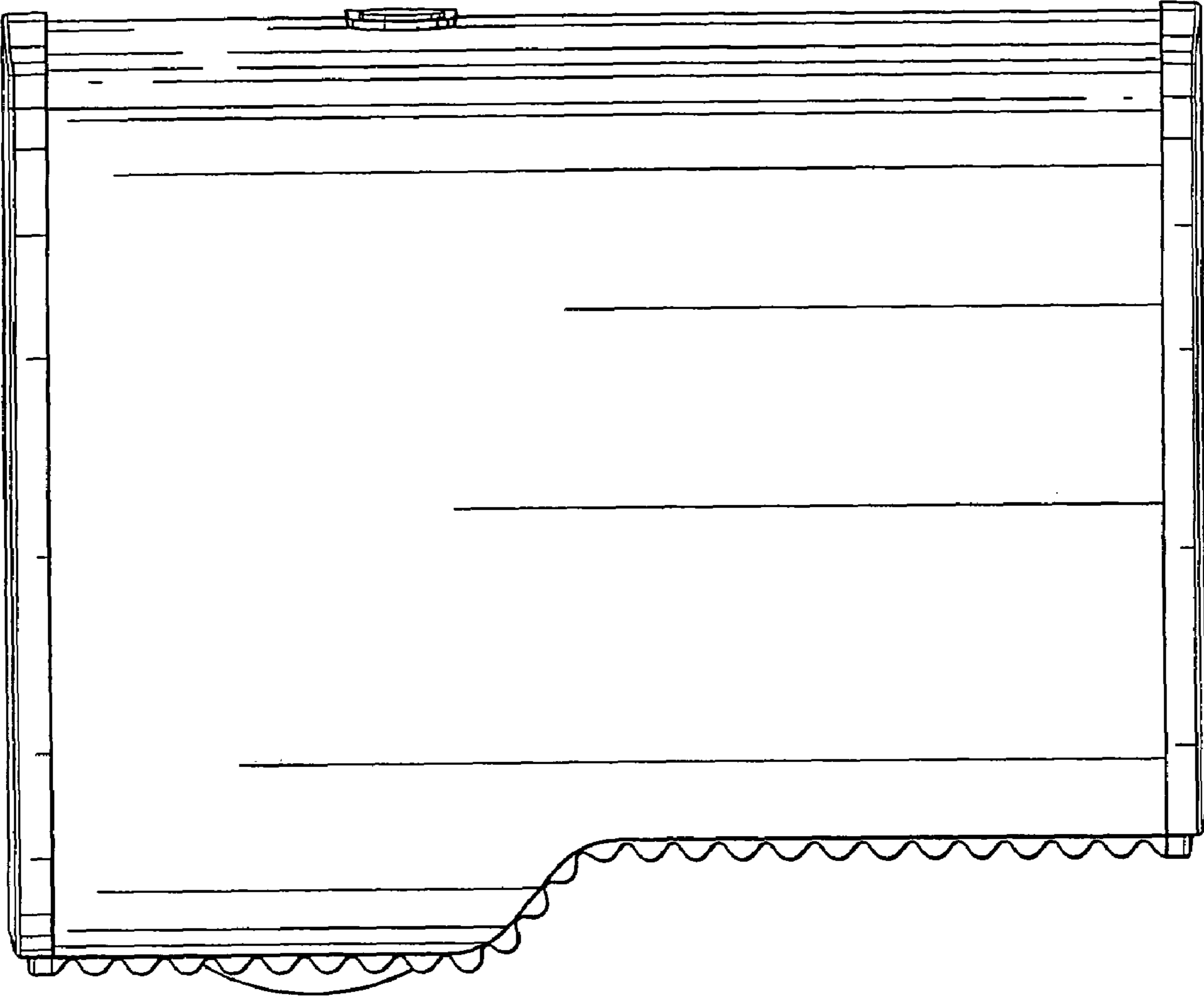


FIG.2

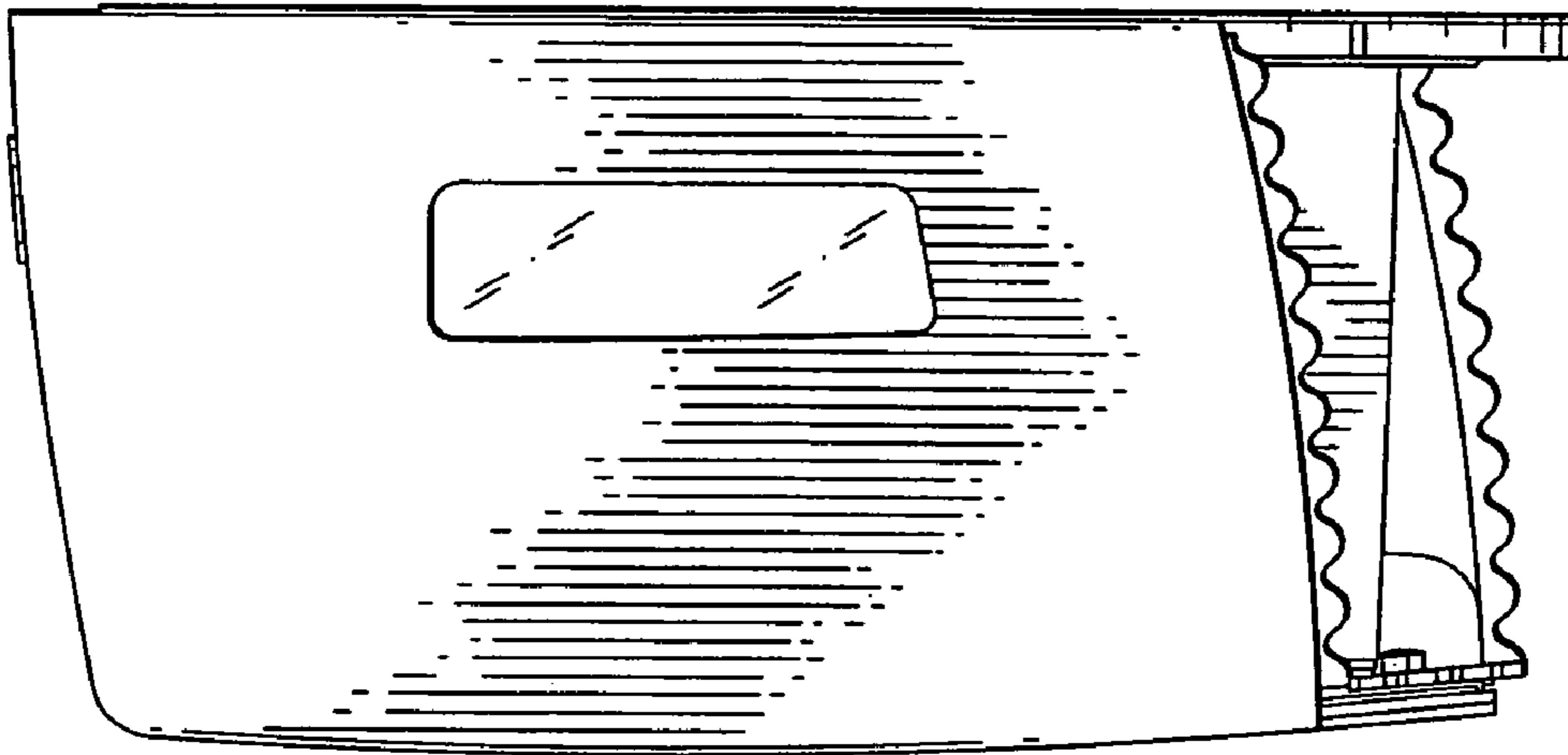


FIG. 5

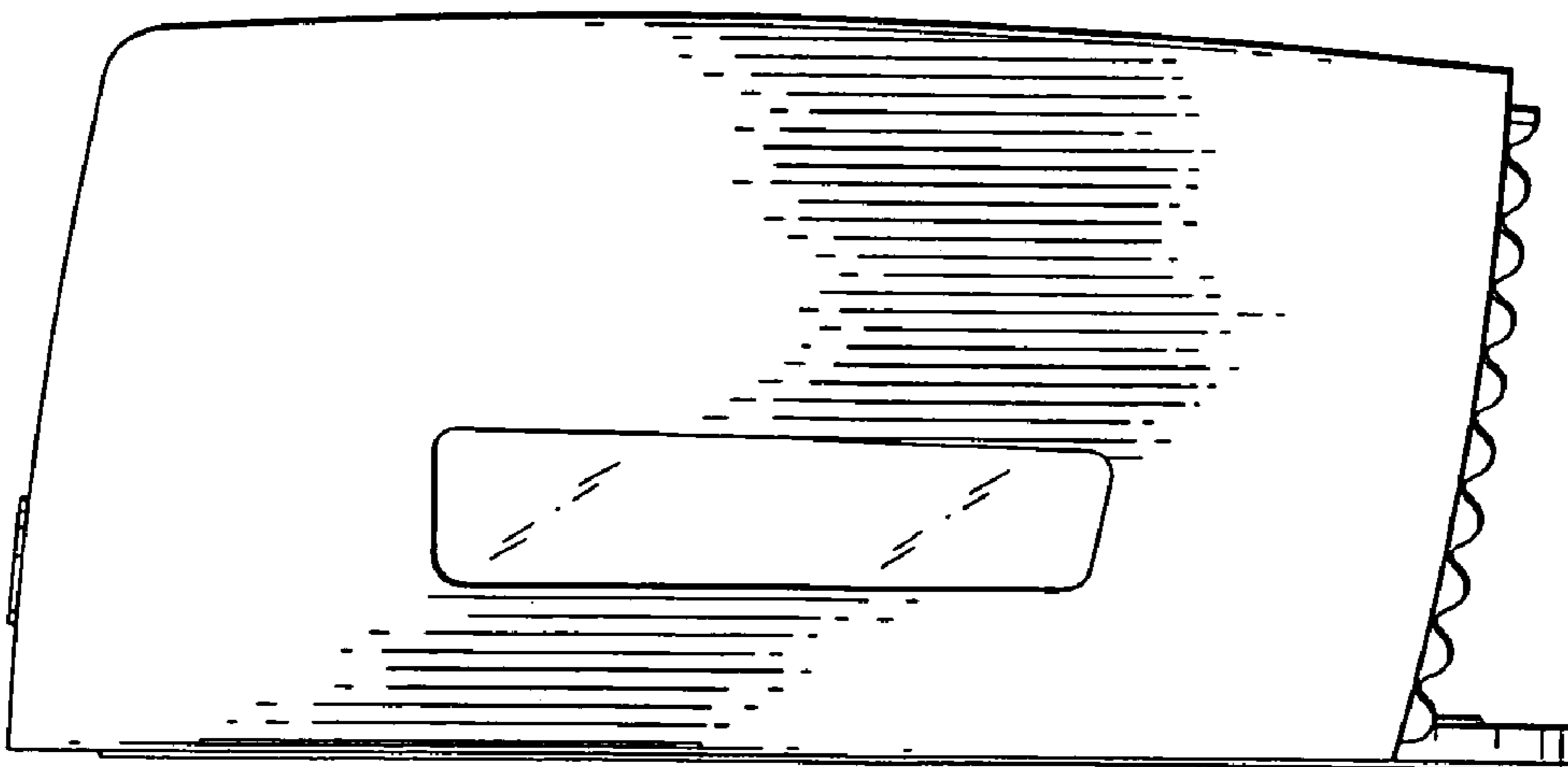


FIG. 3

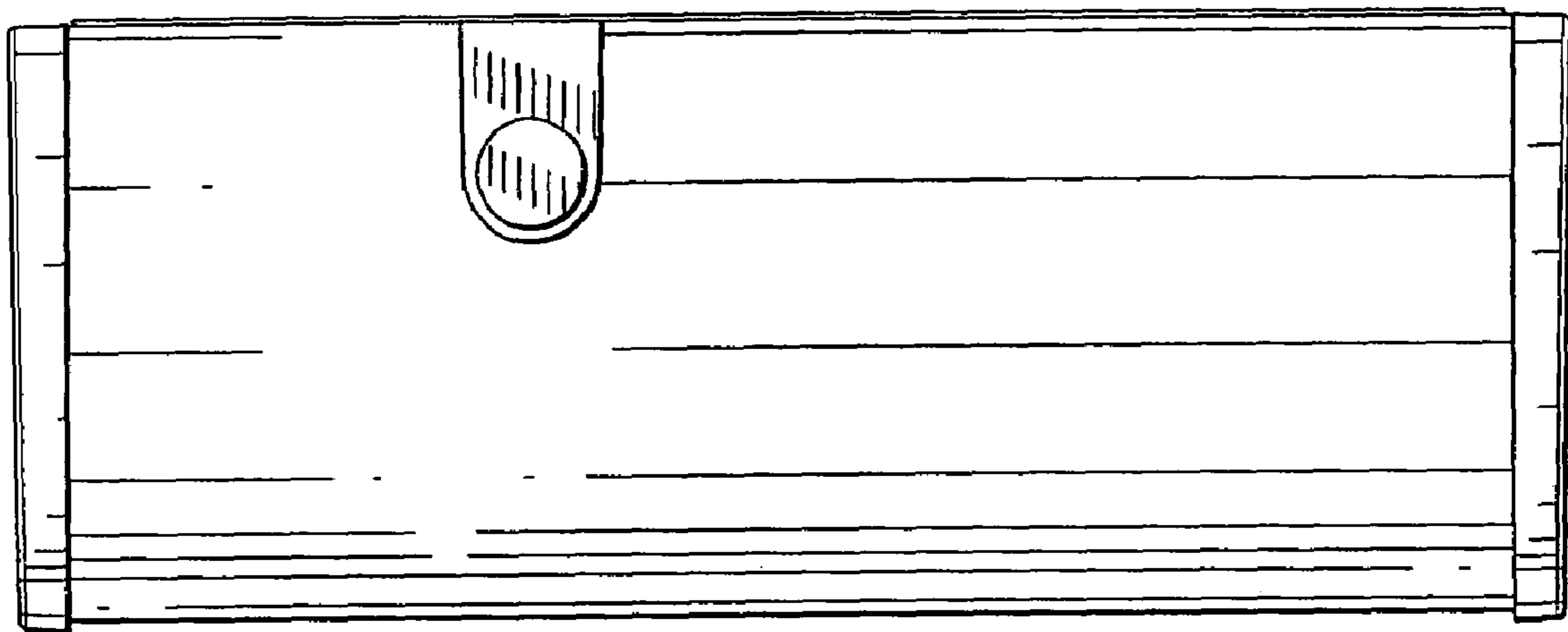


FIG.4