



US00D567555S

(12) **United States Design Patent**  
**McConnell**

(10) **Patent No.:** **US D567,555 S**

(45) **Date of Patent:** **\*\* Apr. 29, 2008**

(54) **SHELF**

(75) Inventor: **Jennifer McConnell**, Greensboro, NC  
(US)

(73) Assignee: **Liberty Hardware Mfg. Corp.**,  
Winston-Salem, NC (US)

(\*\*) Term: **14 Years**

(21) Appl. No.: **29/285,790**

(22) Filed: **Apr. 11, 2007**

(51) **LOC (8) Cl.** ..... **06-04**

(52) **U.S. Cl.** ..... **D6/511**

(58) **Field of Classification Search** ..... D6/320-324,  
D6/402, 411, 475, 449, 466, 481, 485, 491,  
D6/509-511, 477, 479, 500, 547, 553, 566-567,  
D6/572, 574, 580; D7/698; D26/94; 108/28-29,  
108/152; 211/13.1, 42, 71.01, 86.01, 88.01,  
211/88.03, 90.01, 90.03, 126.1, 133.5, 134,  
211/153, 182; 248/205.3, 235, 243, 247,  
248/249, 250; 312/108, 229, 140.3

See application file for complete search history.

(56) **References Cited**

**U.S. PATENT DOCUMENTS**

560,884 A \* 5/1896 Anderson et al. .... 248/249  
D260,832 S \* 9/1981 Verdesca et al. .... D6/572

4,898,355 A \* 2/1990 Steinway ..... 248/235  
5,170,723 A \* 12/1992 Lewkowicz ..... 108/152  
D348,374 S \* 7/1994 Dandurand ..... D7/698  
D376,737 S \* 12/1996 Hecker ..... D7/698  
6,113,199 A \* 9/2000 Foote ..... 312/140.3  
6,164,610 A \* 12/2000 Santiago ..... 248/235  
6,260,489 B1 \* 7/2001 Weaver et al. .... 108/152  
D546,611 S \* 7/2007 Bouroullec et al. .... D6/574  
D555,987 S \* 11/2007 Williams et al. .... D7/698  
D556,362 S \* 11/2007 Pfund et al. .... D26/94

\* cited by examiner

*Primary Examiner*—Mimosa De

*Assistant Examiner*—Ricky Pham

(74) *Attorney, Agent, or Firm*—Edgar A. Zarins; Lloyd D.  
Doigan

(57) **CLAIM**

The ornamental design for a shelf, as shown and described.

**DESCRIPTION**

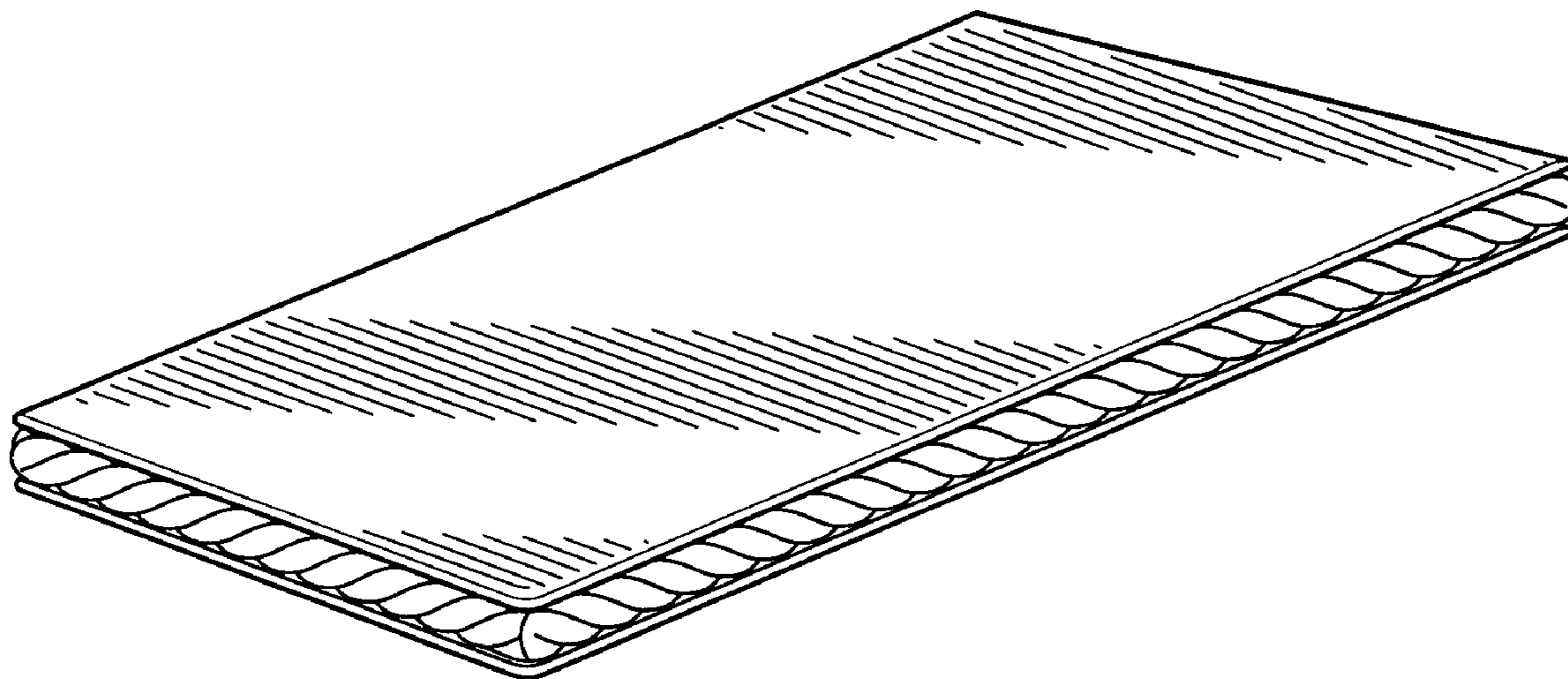
FIG. 1 is a perspective view of a shelf showing my new design;

FIG. 2 is a top plan view thereof;

FIG. 3 is a front elevational view thereof; and,

FIG. 4 is right end view thereof, the opposite end is a mirror image of the end shown.

**1 Claim, 1 Drawing Sheet**



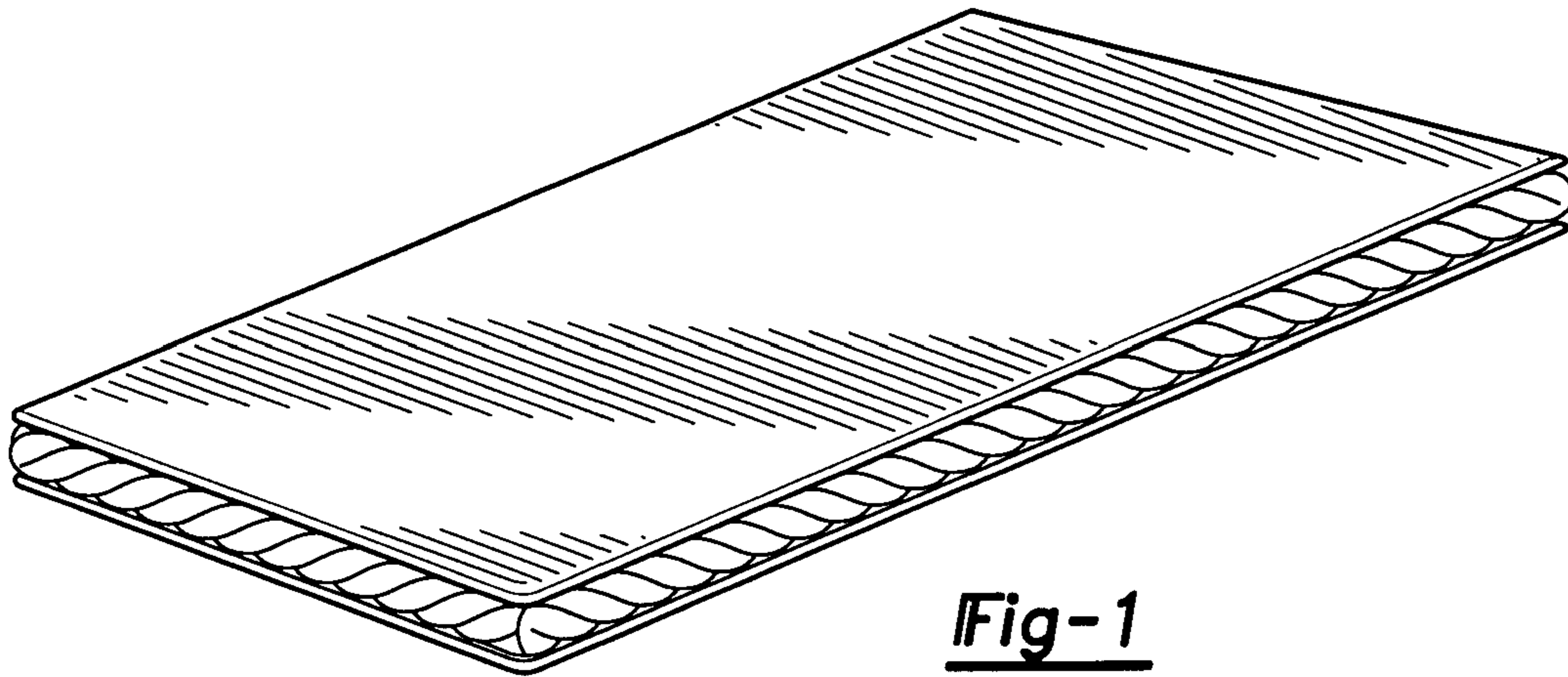


Fig-1

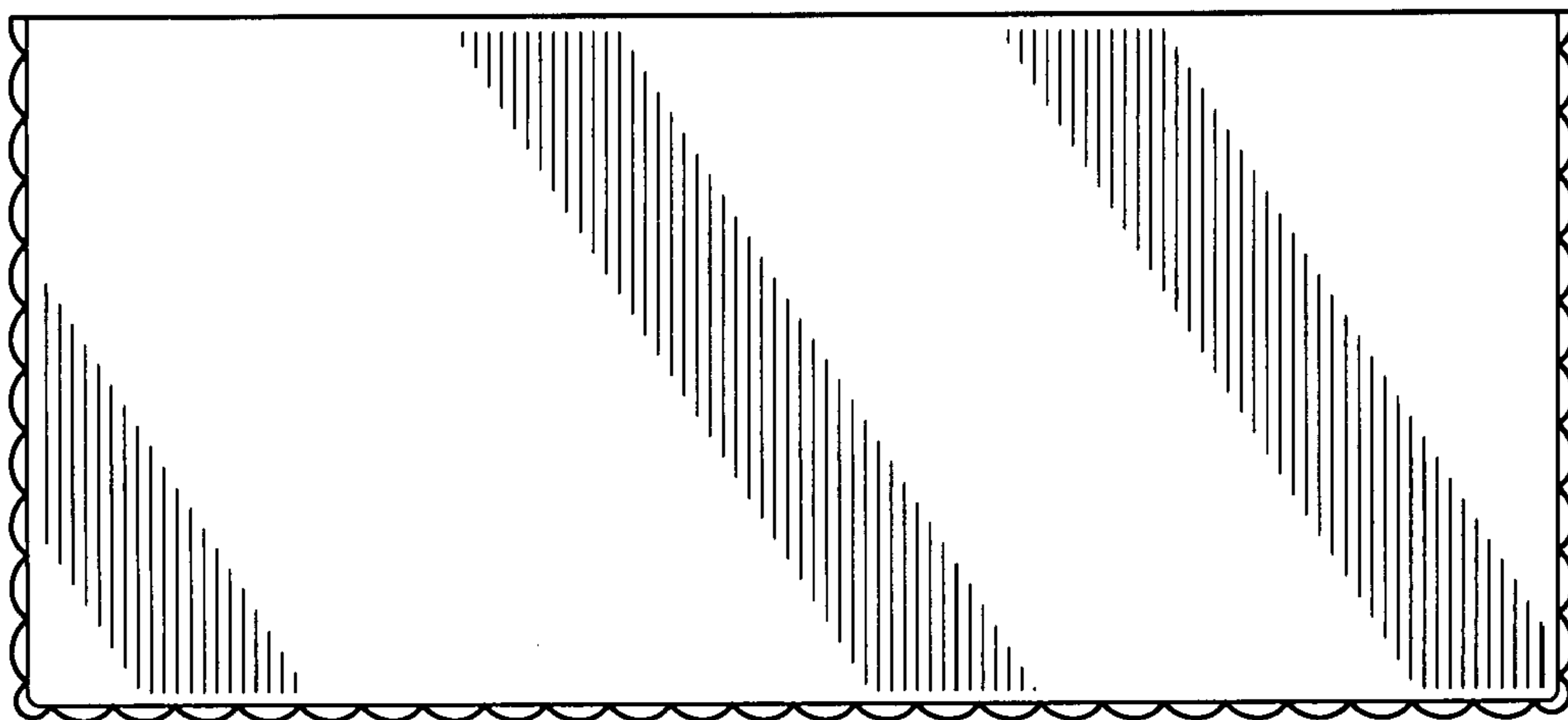


Fig-2

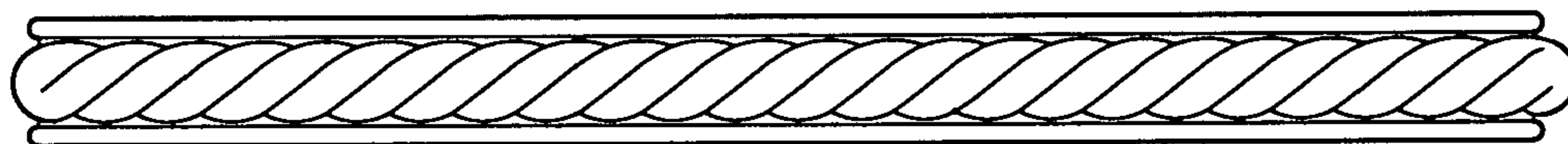


Fig-3

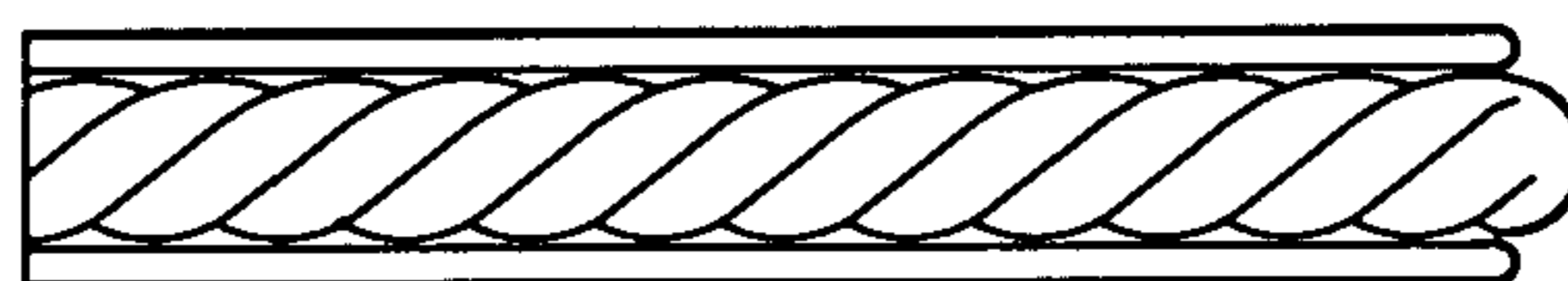


Fig-4