

US00D567551S

(12) **United States Design Patent**  
**Verbeek et al.**

(10) **Patent No.:** **US D567,551 S**

(45) **Date of Patent:** **\*\* Apr. 29, 2008**

(54) **TABLE LEG**

(75) Inventors: **Steve Verbeek**, Ontario (CA); **Nick Gillissie**, Ontario (CA); **John Hellwig**, Ontario (CA)

(73) Assignee: **TK Canada Limited**, Toronto (CA)

(\*\*) Term: **14 Years**

(21) Appl. No.: **29/273,686**

(22) Filed: **Mar. 12, 2007**

(51) **LOC (8) Cl.** ..... **06-06**

(52) **U.S. Cl.** ..... **D6/495**

(58) **Field of Classification Search** ..... D6/480-489,  
D6/495-499, 422-426, 429-431; 108/150,  
108/151, 153.1, 155, 156, 157.1, 161; 248/188,  
248/188.1, 188.7

See application file for complete search history.

(56) **References Cited**

**U.S. PATENT DOCUMENTS**

D153,738 S *	5/1949	Wallance	.....	D6/430
D191,451 S *	10/1961	Abrahamson	.....	D6/422
D191,455 S *	10/1961	Abrahanson	.....	D6/480
D216,715 S *	3/1970	Dottinger	.....	D6/495
D218,448 S *	8/1970	Chichester	.....	D6/422
D224,636 S *	8/1972	Ball	.....	D6/484
4,645,161 A *	2/1987	Collins	.....	248/439

D394,175 S *	5/1998	Olson	.....	D6/495
D473,728 S *	4/2003	Chang	.....	D6/422

\* cited by examiner

*Primary Examiner*—Janice E. Seeger

(74) *Attorney, Agent, or Firm*—Bereskin & Parr

(57) **CLAIM**

The ornamental design for a table leg, as shown and described.

**DESCRIPTION**

FIG. 1 is a perspective view of a table leg, showing our new design;

FIG. 2 is a side elevational view;

FIG. 3 is a front elevational view;

FIG. 4 is bottom plan view;

FIG. 5 is a perspective view showing a second embodiment of our new design;

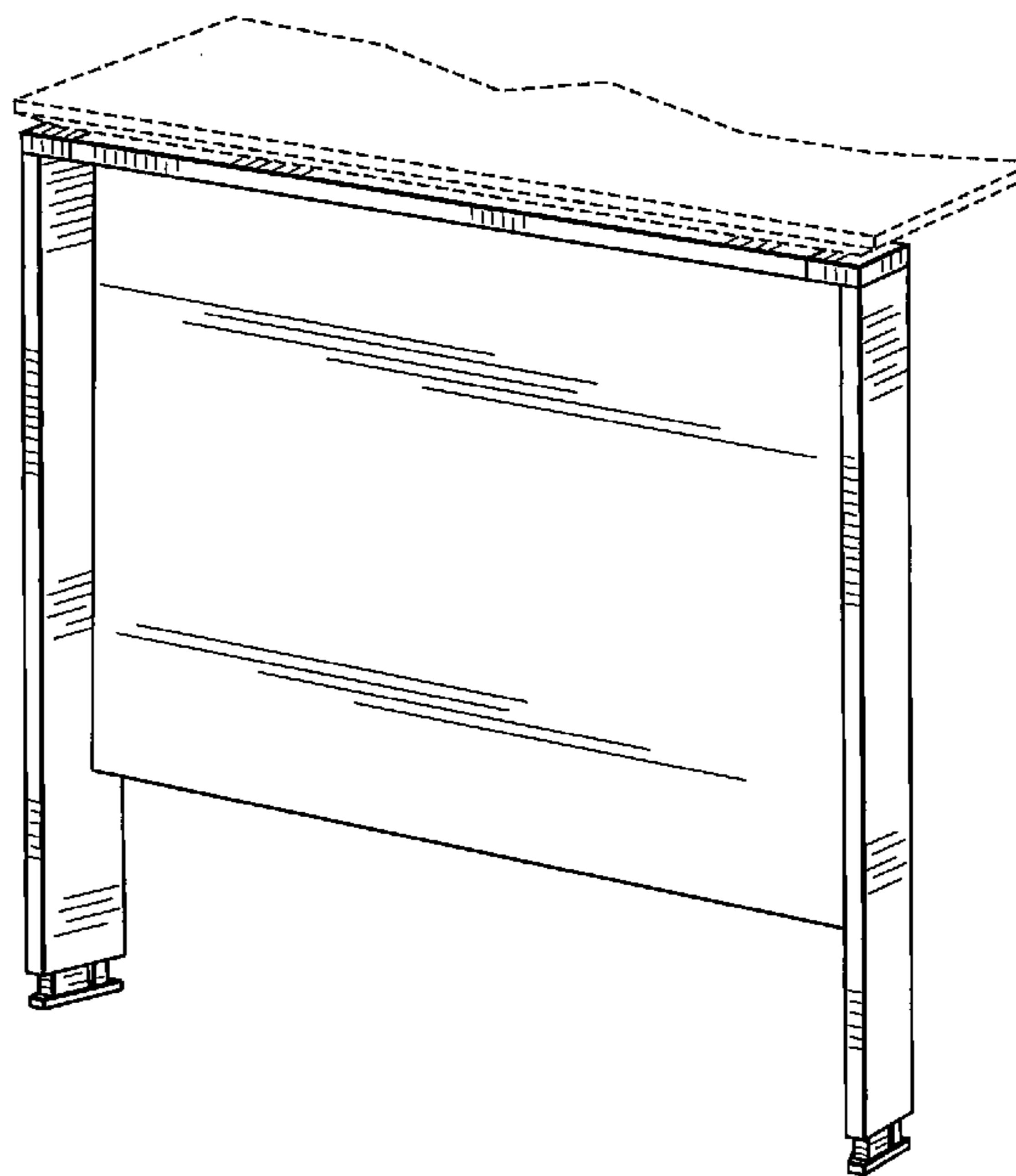
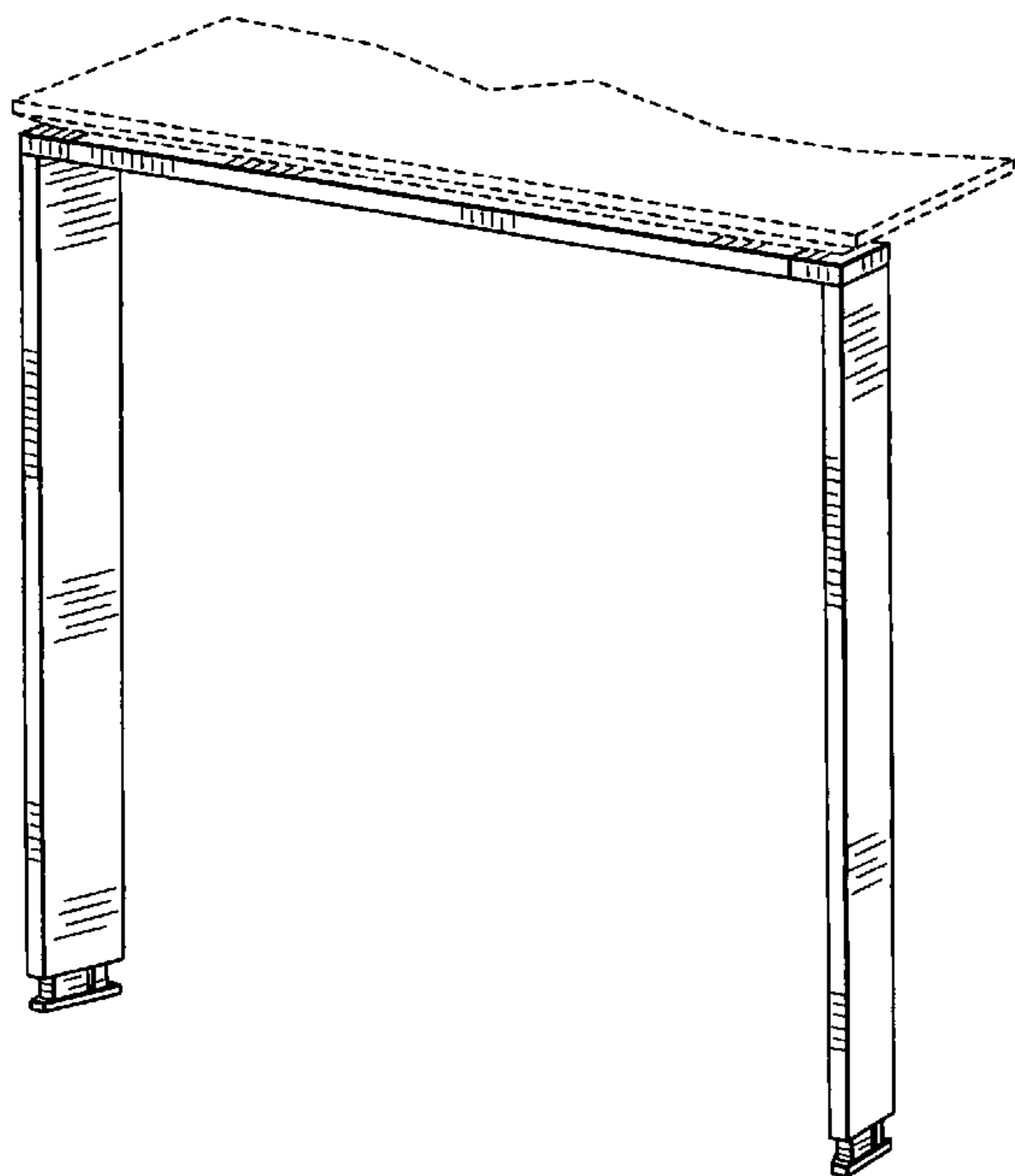
FIG. 6 is a side elevational view thereof;

FIG. 7 is a front elevational view thereof; and,

FIG. 8 is a bottom plan view thereof.

The portions of the table leg shown in broken lines are provided for illustration purposes only and form no part of the claimed design.

**1 Claim, 4 Drawing Sheets**



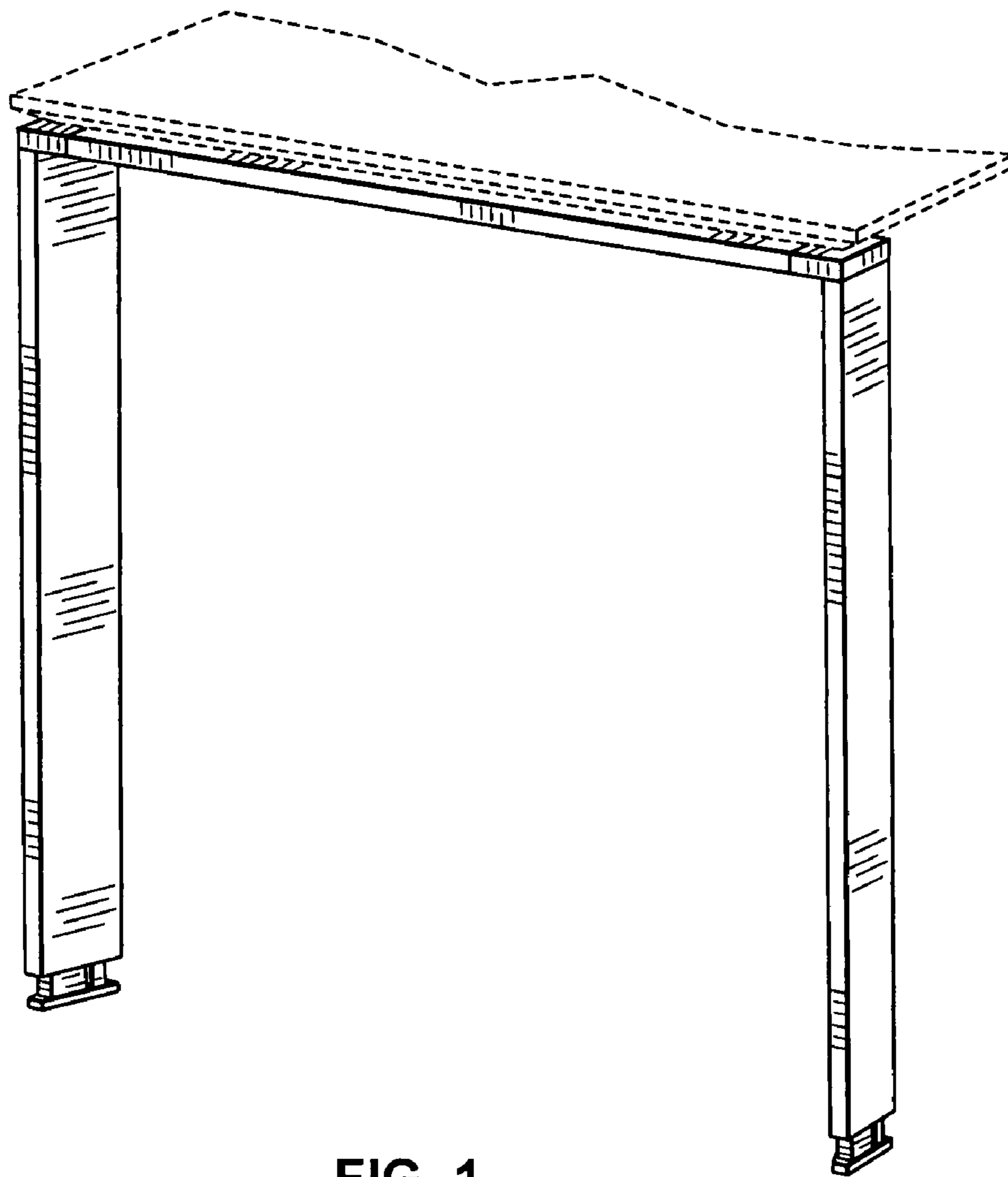


FIG. 1

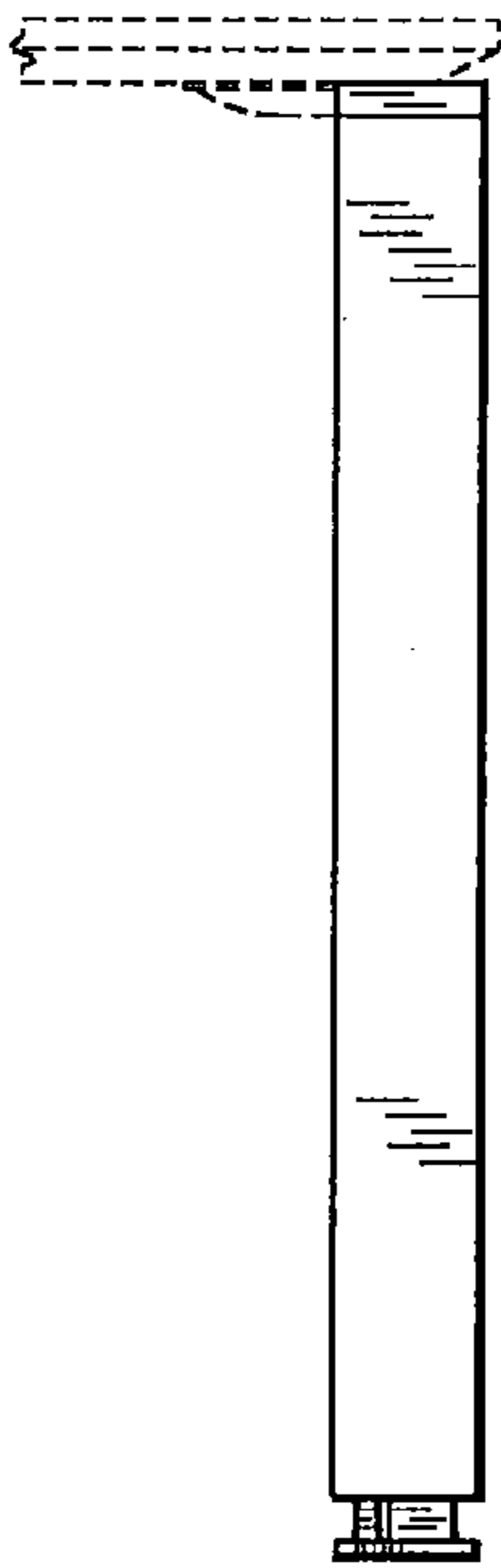


FIG. 2

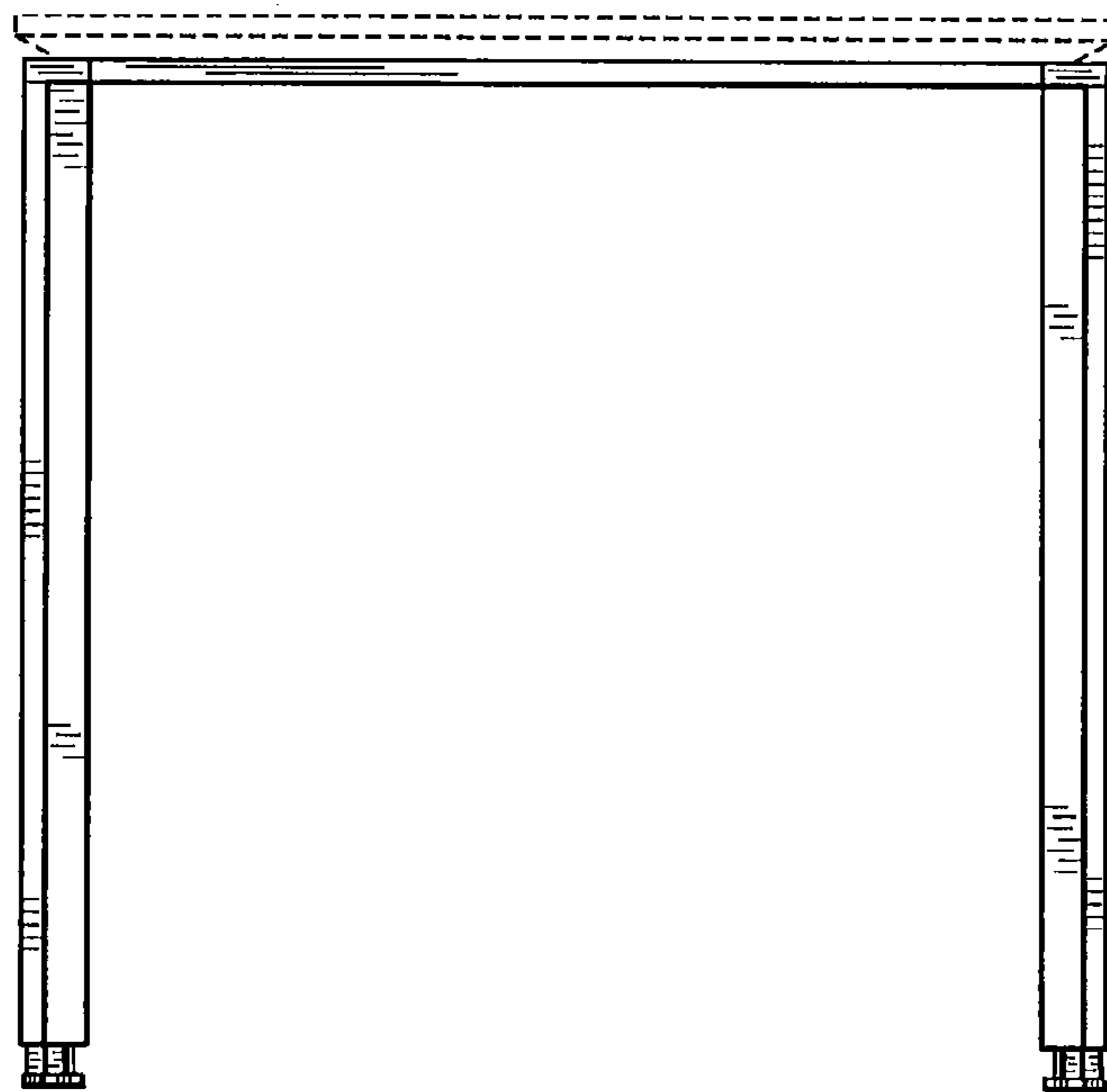


FIG. 3

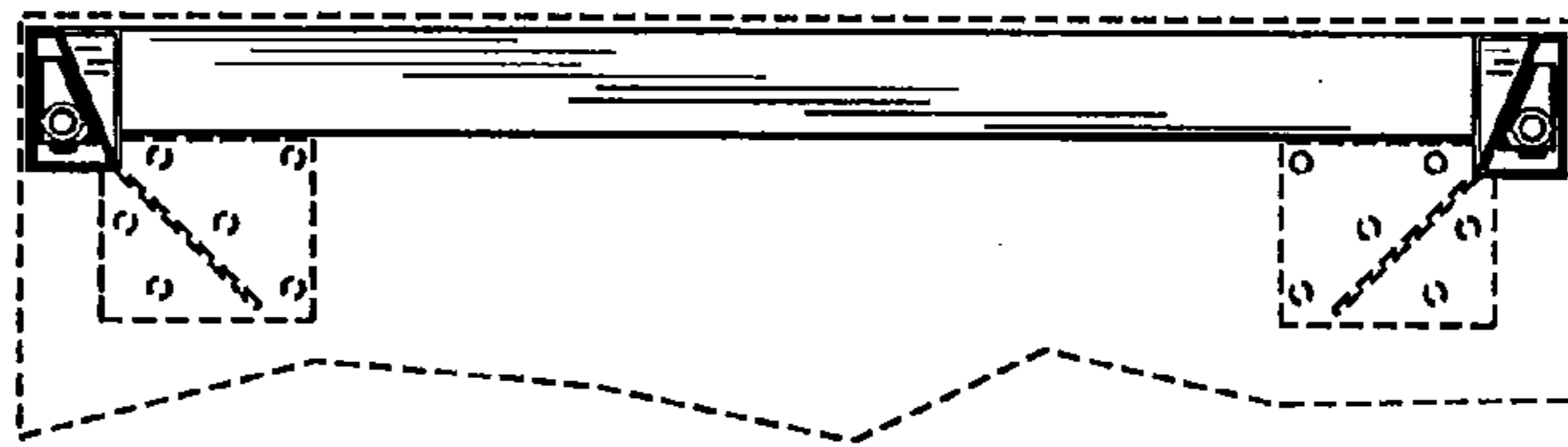
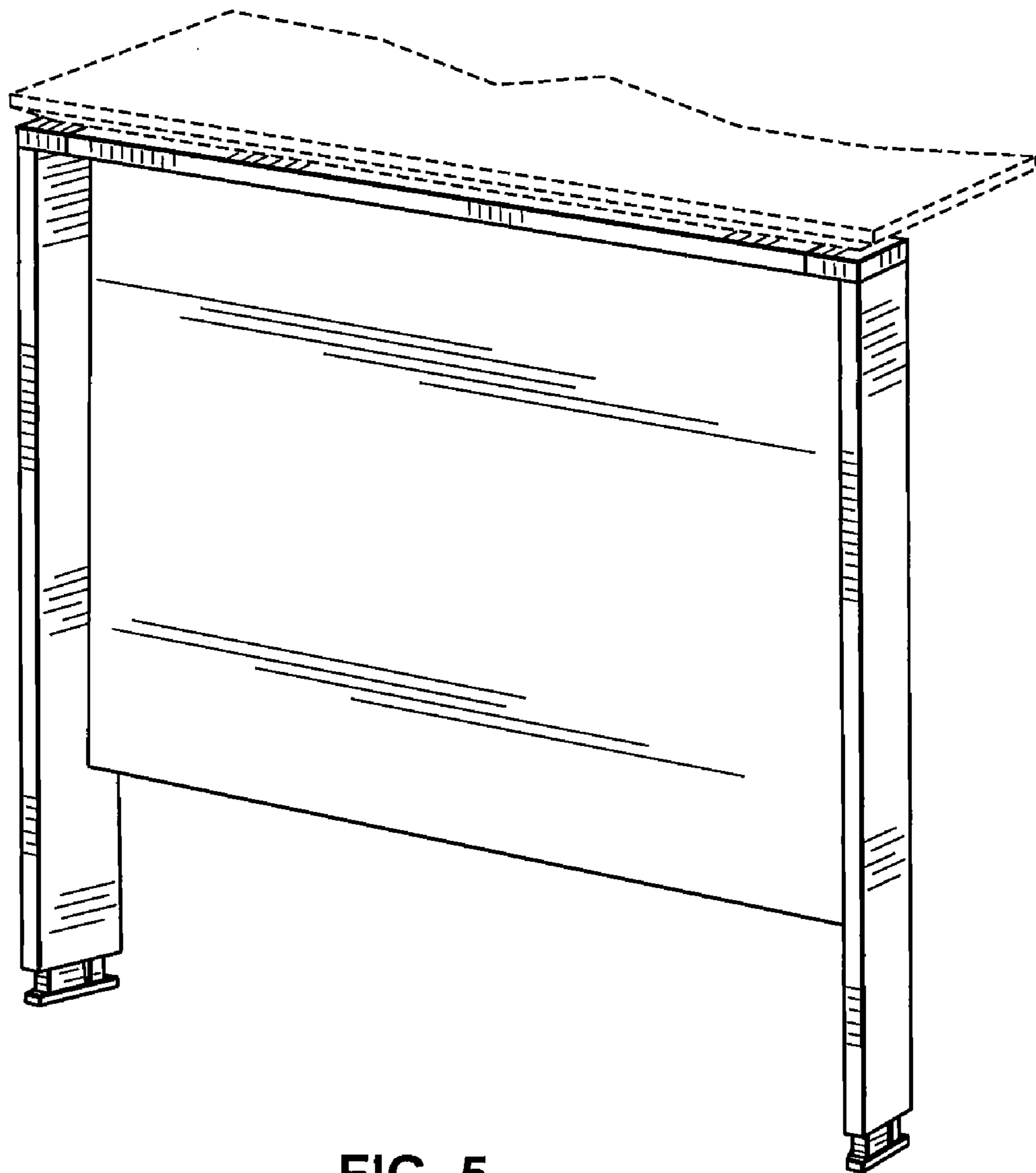
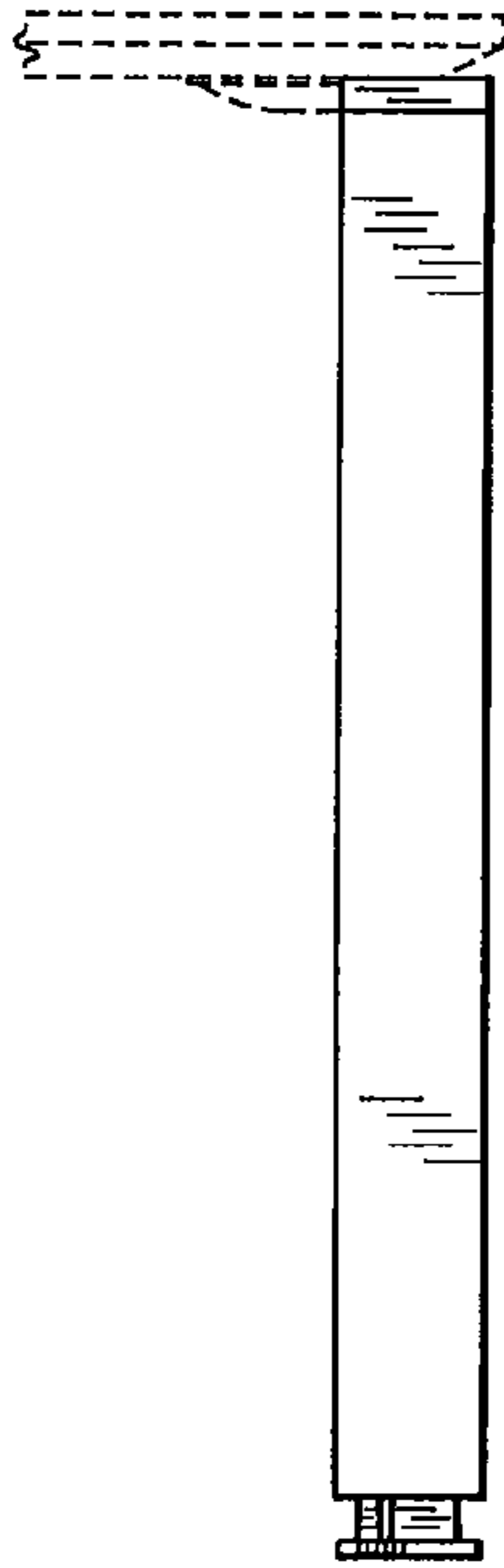


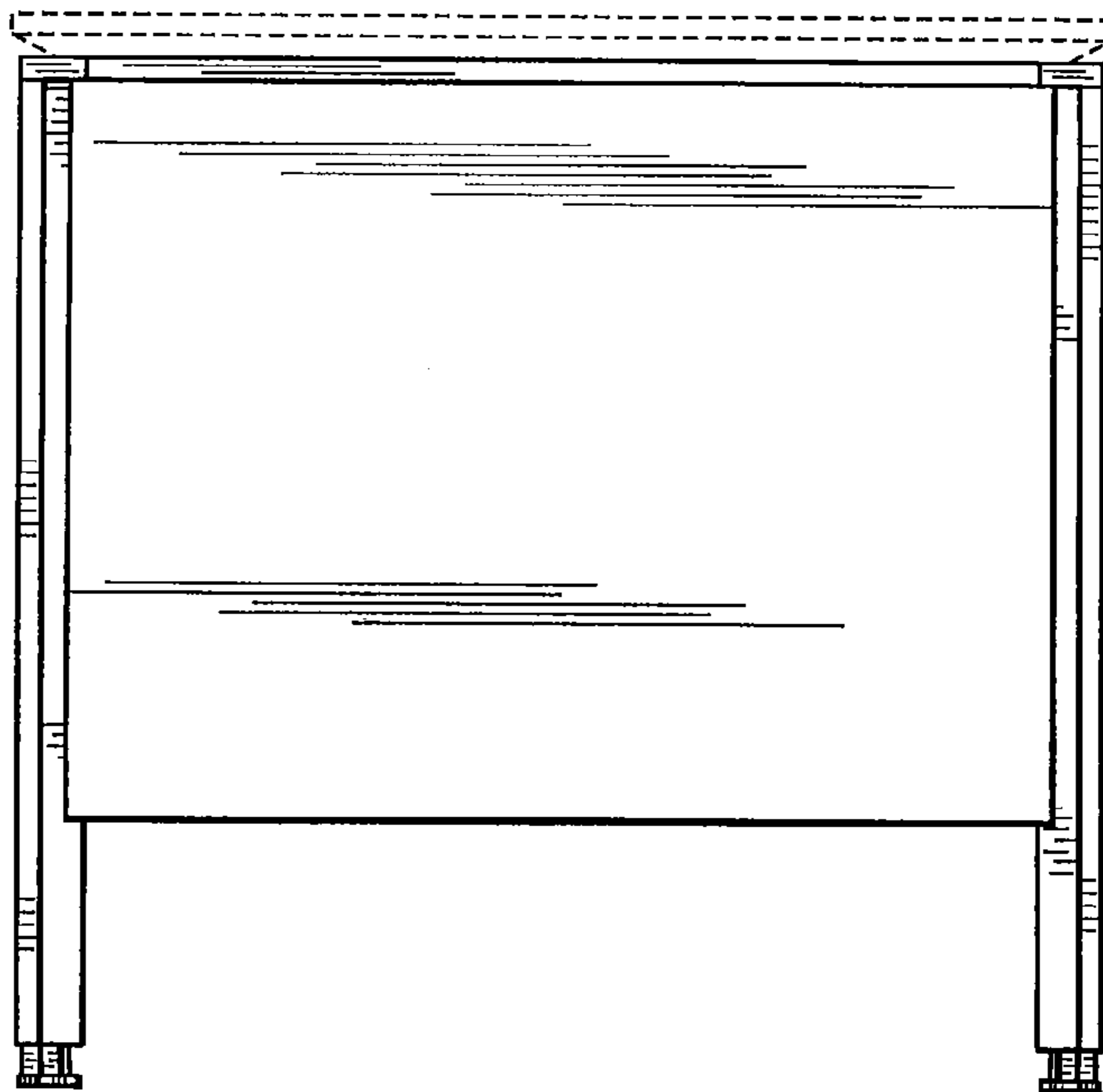
FIG. 4



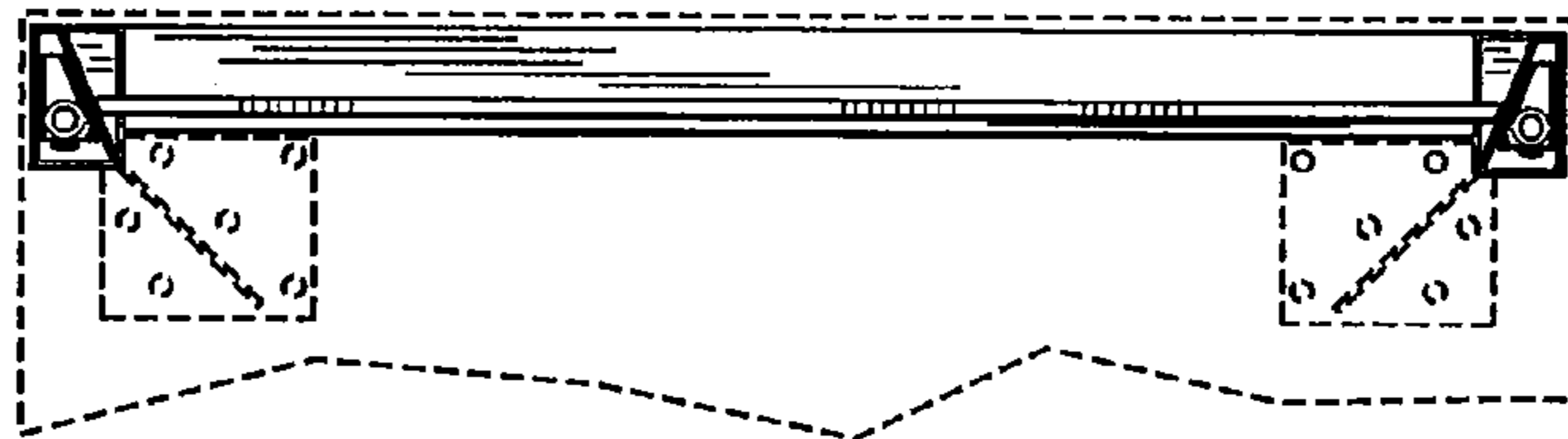
**FIG. 5**



**FIG. 6**



**FIG. 7**



**FIG. 8**