

US00D567550S

(12) **United States Design Patent**  
**Andreucci et al.**

(10) **Patent No.:** **US D567,550 S**  
(45) **Date of Patent:** **\*\* Apr. 29, 2008**

(54) **TABLE**  
(75) Inventors: **Alessandro Andreucci**, Marsciano (IT);  
**Christian Hoisl**, Munich (DE)  
(73) Assignee: **EMU Group S.p.A.**, Marsciano (PG)  
(IT)

4,003,320 A \* 1/1977 Owens et al. .... 108/158  
D280,274 S \* 8/1985 Criqui et al. .... D6/487  
D280,275 S \* 8/1985 Criqui et al. .... D6/487  
D374,138 S \* 10/1996 Paus ..... D6/484  
D426,730 S \* 6/2000 Tseng ..... D6/480  
D466,337 S \* 12/2002 Feng ..... D6/485  
D535,122 S \* 1/2007 Lowsky ..... D6/480

(\*\*) **Term:** **14 Years**  
(21) **Appl. No.:** **29/247,435**  
(22) **Filed:** **Jun. 19, 2006**

\* cited by examiner

*Primary Examiner*—Janice E. Seeger  
(74) *Attorney, Agent, or Firm*—Themis Intellectual Property  
Counsel

(30) **Foreign Application Priority Data**  
Dec. 21, 2005 (EM) ..... 000452206-0024

(57) **CLAIM**

I claim the ornamental design for a table, as shown.

(51) **LOC (8) Cl.** ..... **06-03**  
(52) **U.S. Cl.** ..... **D6/488**  
(58) **Field of Classification Search** ..... D6/480-489,  
D6/495-499, 511; 108/150, 151, 153.1,  
108/155, 156, 157.1, 161; 248/188, 188.1,  
248/188.7, 188.8

**DESCRIPTION**

FIG. 1 is a perspective view of a table showing my new design;  
FIG. 2 is a front-side elevational view thereof;  
FIG. 3 is a front elevational view thereof; and,  
FIG. 4 is a top plan view thereof.

See application file for complete search history.

(56) **References Cited**  
**U.S. PATENT DOCUMENTS**  
D200,912 S \* 4/1965 Cleinman ..... D6/430

**1 Claim, 4 Drawing Sheets**



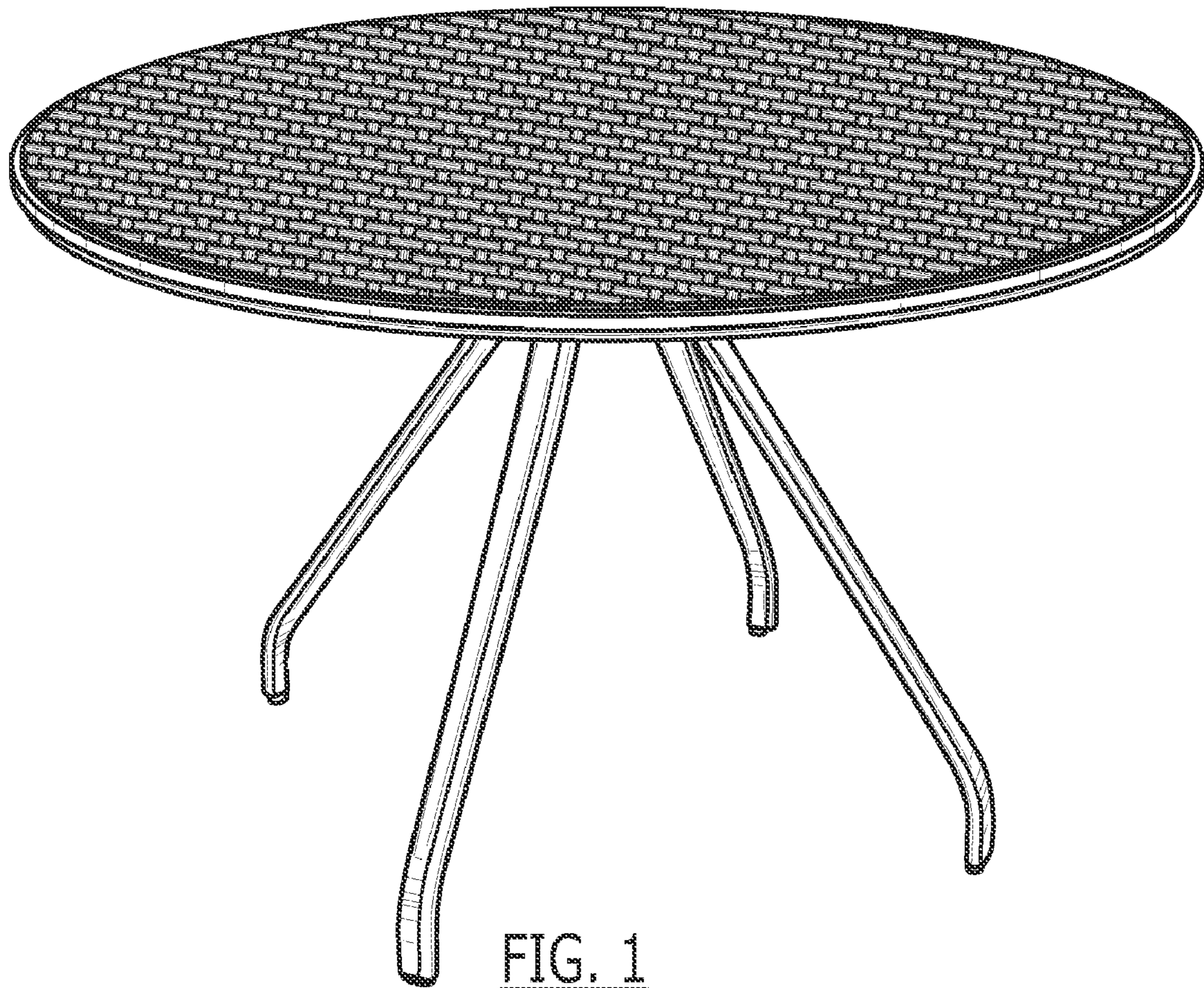


FIG. 1

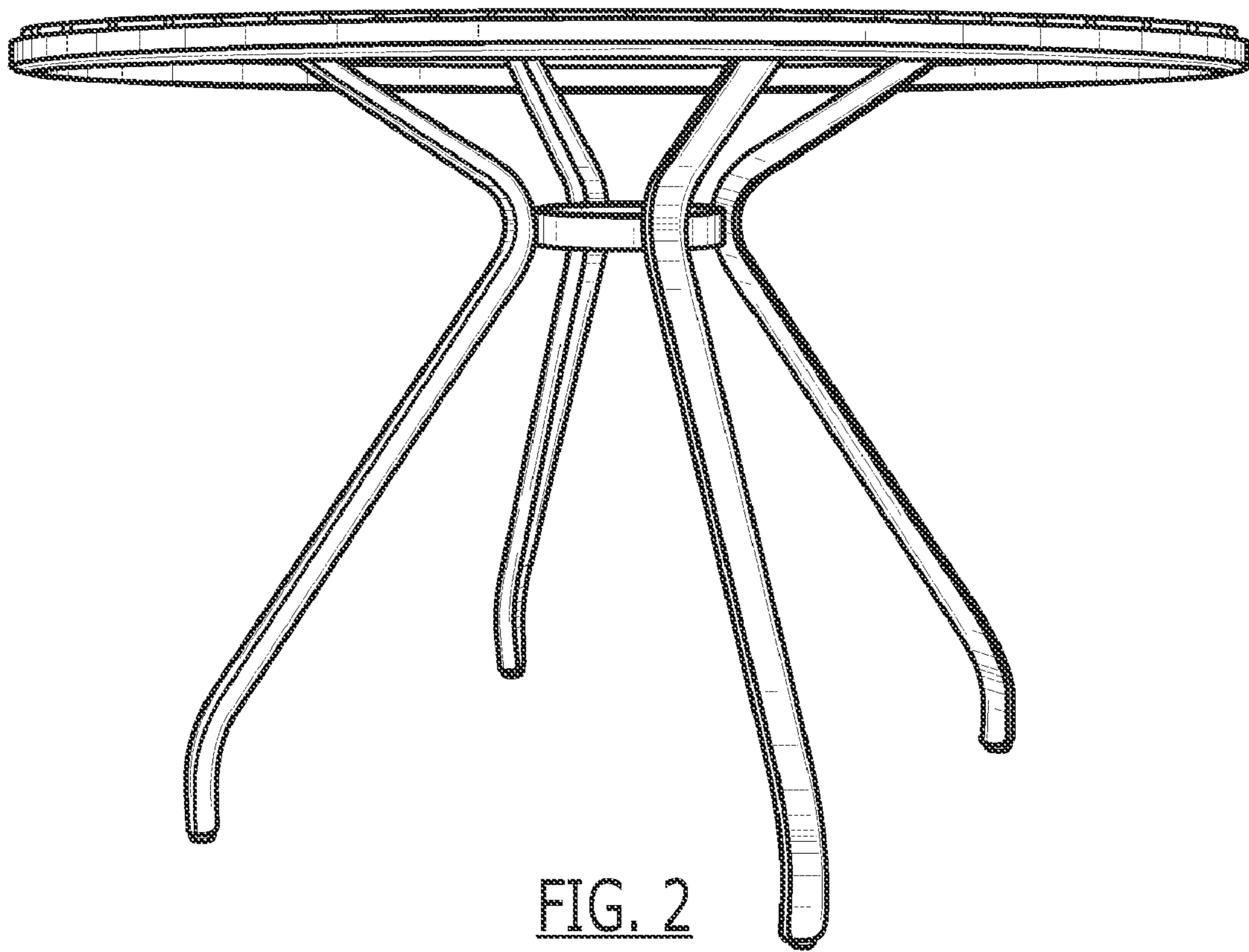
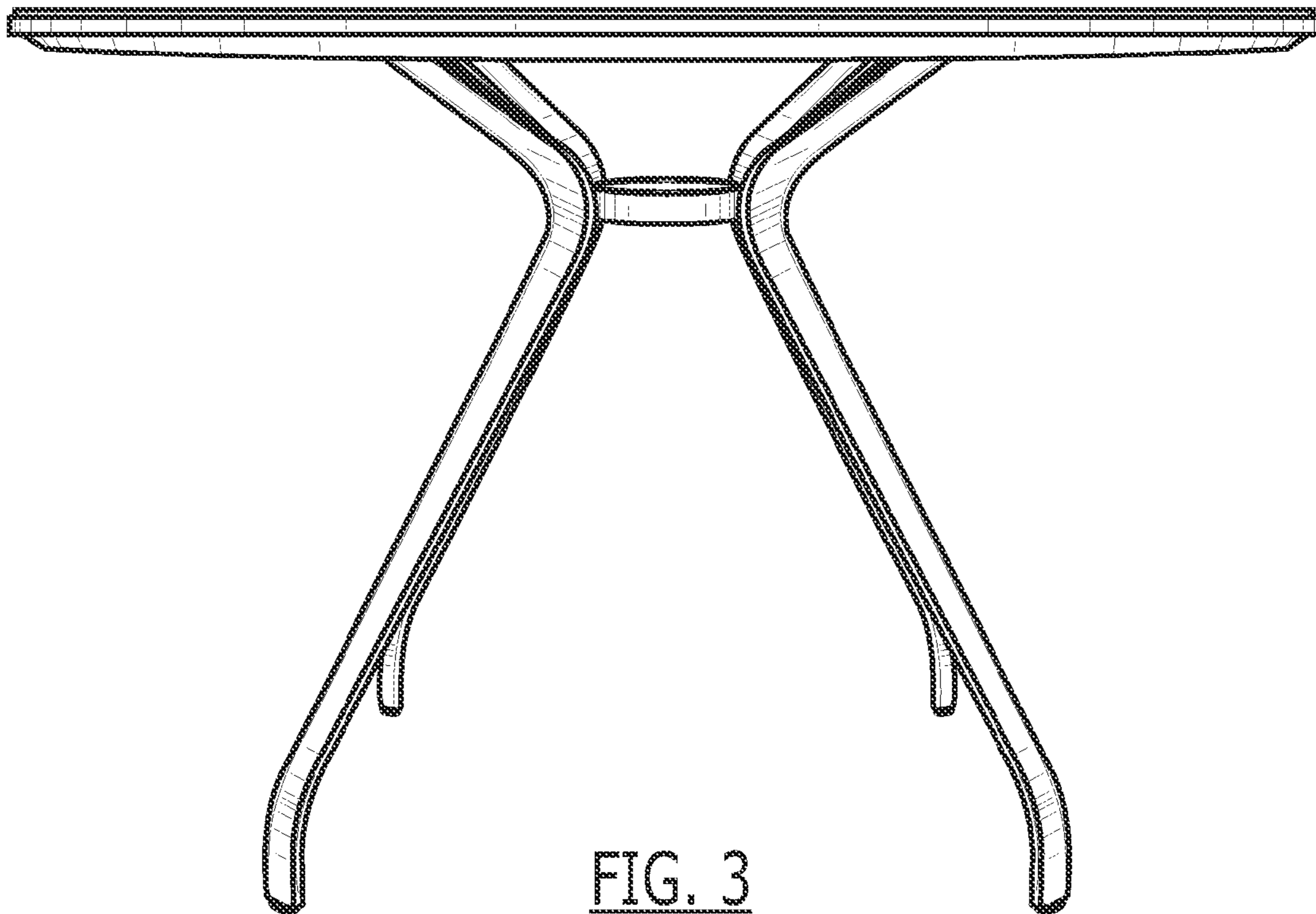


FIG. 2



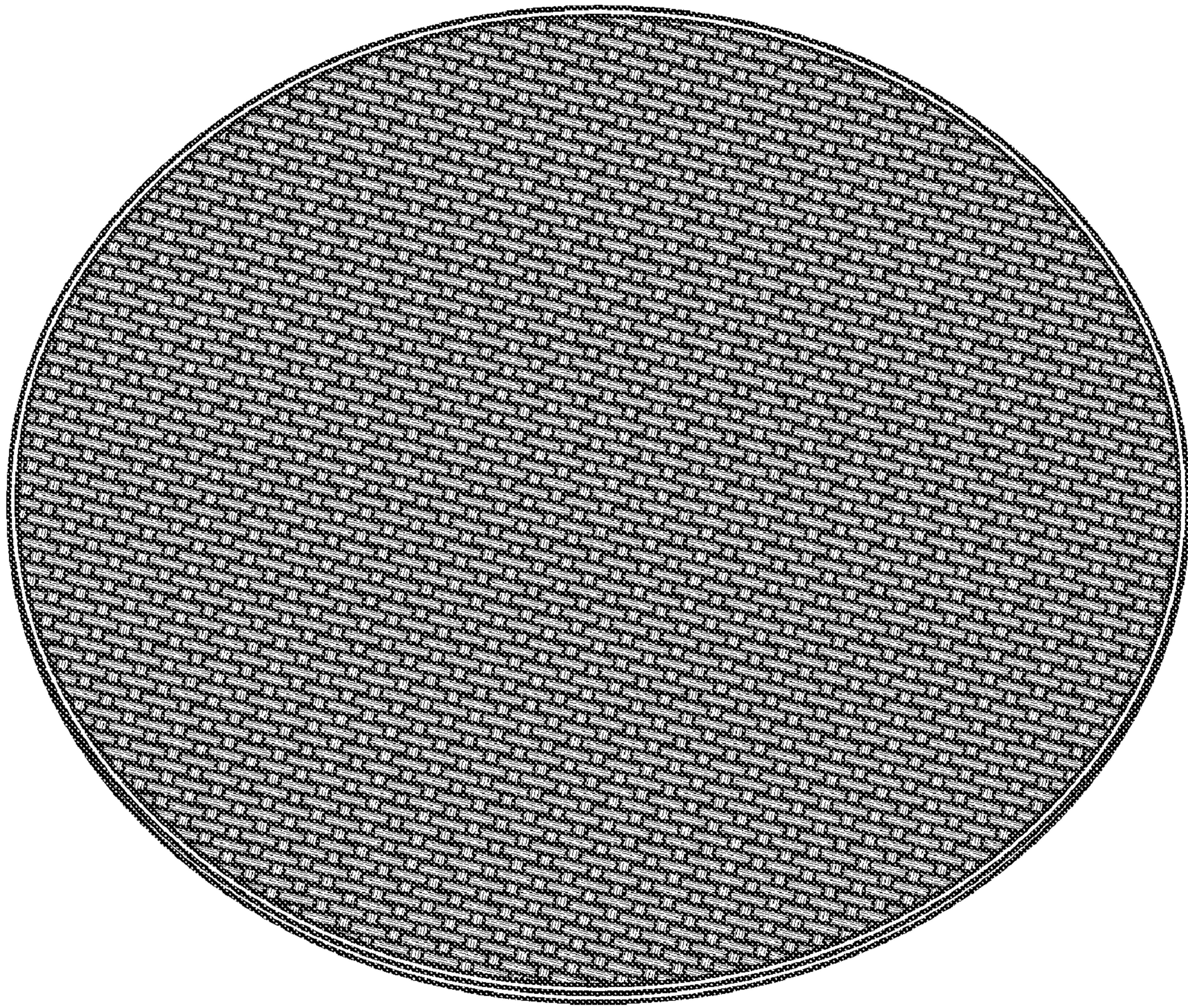


FIG. 4