



US00D567548S

(12) **United States Design Patent**
Chan

(10) **Patent No.:** **US D567,548 S**

(45) **Date of Patent:** **** Apr. 29, 2008**

(54) **TABLE**

D527,209 S * 8/2006 Nicoletti D6/480

(75) Inventor: **Eric Chan**, New York, NY (US)

FOREIGN PATENT DOCUMENTS

(73) Assignee: **Itoki Corporation**, Osaka-Shi, Osaka (JP)

JP 838750 6/1992
JP 839218 6/1992
JP 1223134 11/2004

(**) Term: **14 Years**

* cited by examiner

(21) Appl. No.: **29/274,005**

Primary Examiner—Janice E. Seeger
(74) *Attorney, Agent, or Firm*—McGinn IP Law Group, PLLC

(22) Filed: **Mar. 16, 2007**

(30) **Foreign Application Priority Data**

Sep. 19, 2006 (JP) 2006-025031

(57) **CLAIM**

The ornamental design for a table, as shown and described.

(51) **LOC (8) Cl.** **06-03**

DESCRIPTION

(52) **U.S. Cl.** **D6/487**

(58) **Field of Classification Search** D6/480-489,
D6/495-499, 511, 451, 429-431; 108/150,
108/153.1, 156, 157.1, 161; 248/188, 188.1,
248/188.8, 64, 65, 94, 103

See application file for complete search history.

FIG. 1 is a perspective view of top, front and right side of a table showing my new design;

FIG. 2 is a front view thereof;

FIG. 3 is a rear view thereof;

FIG. 4 is a top plan view thereof;

FIG. 5 is a bottom view thereof;

FIG. 6 is a left side view thereof;

FIG. 7 is a right side view thereof;

FIG. 8 is a top plan view with the sub-table in the rearward rotated position; and,

FIG. 9 is a top plan view with the sub-table in the forward rotated position.

(56) **References Cited**

U.S. PATENT DOCUMENTS

D166,991 S * 6/1952 Ovendale D6/464
D284,431 S * 7/1986 Berry, Jr. D6/474
D291,514 S * 8/1987 Strousse et al. D6/487
D352,853 S * 11/1994 Hosoe D6/482
D362,136 S * 9/1995 Chang D6/474
D371,706 S * 7/1996 Nuzzarello D6/487
D390,381 S * 2/1998 Dormon et al. D6/480

1 Claim, 3 Drawing Sheets

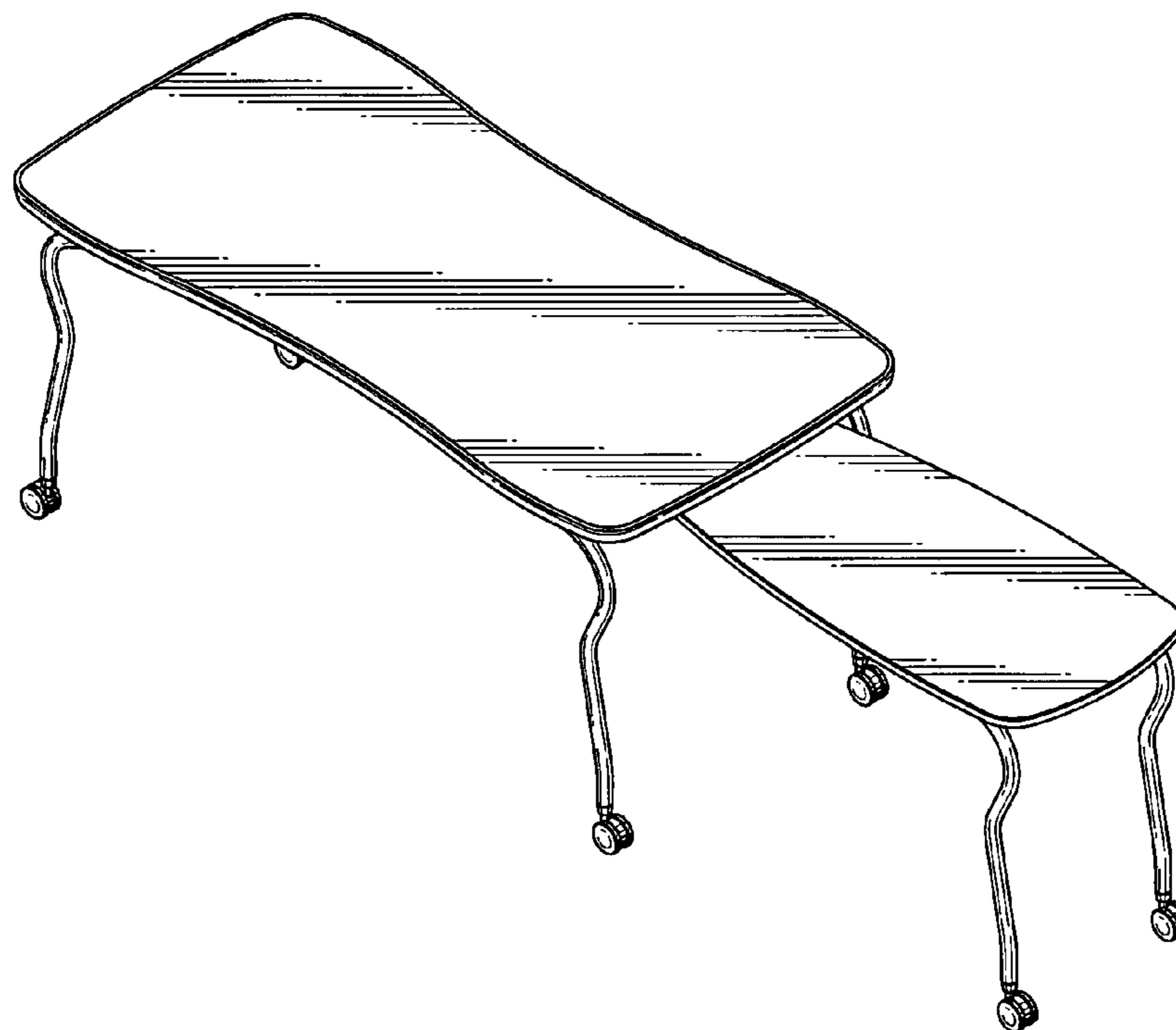


FIG.1

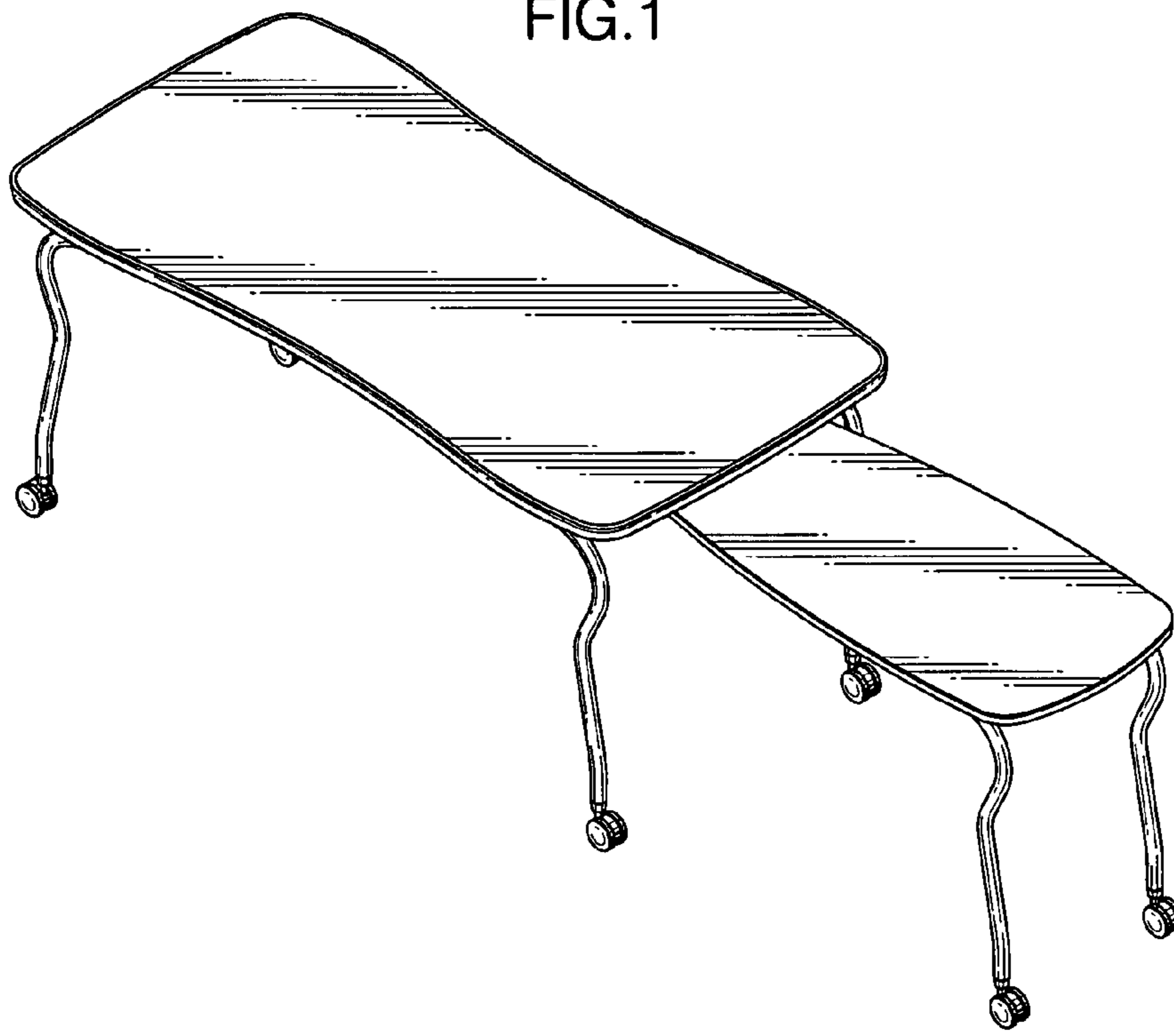


FIG.2

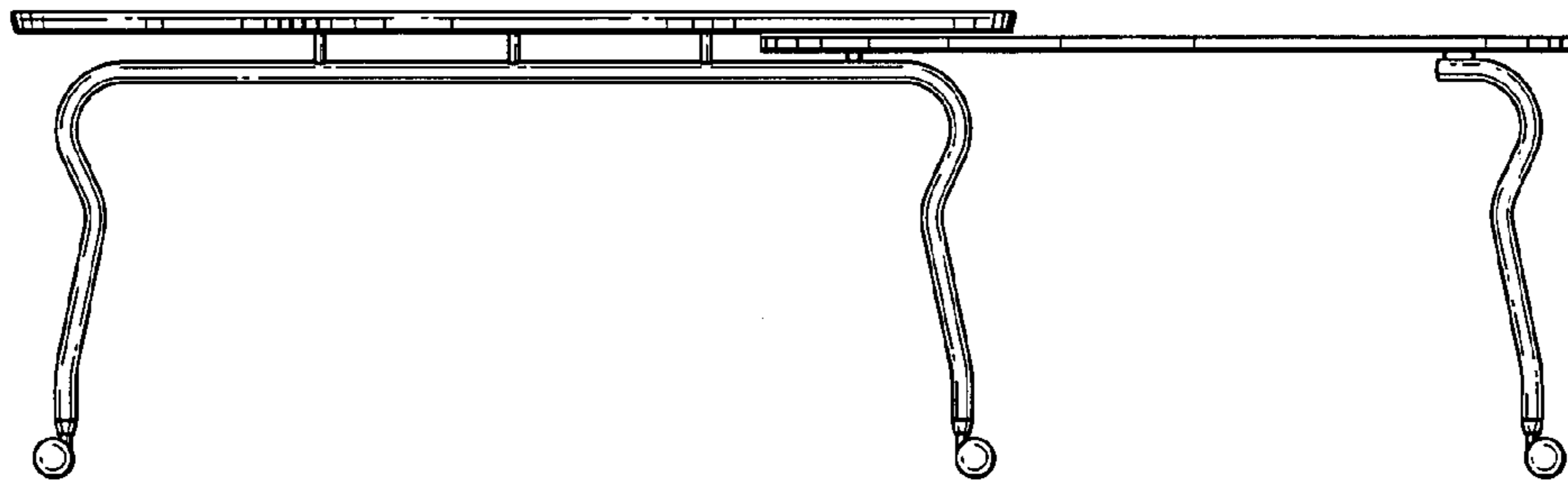


FIG.3

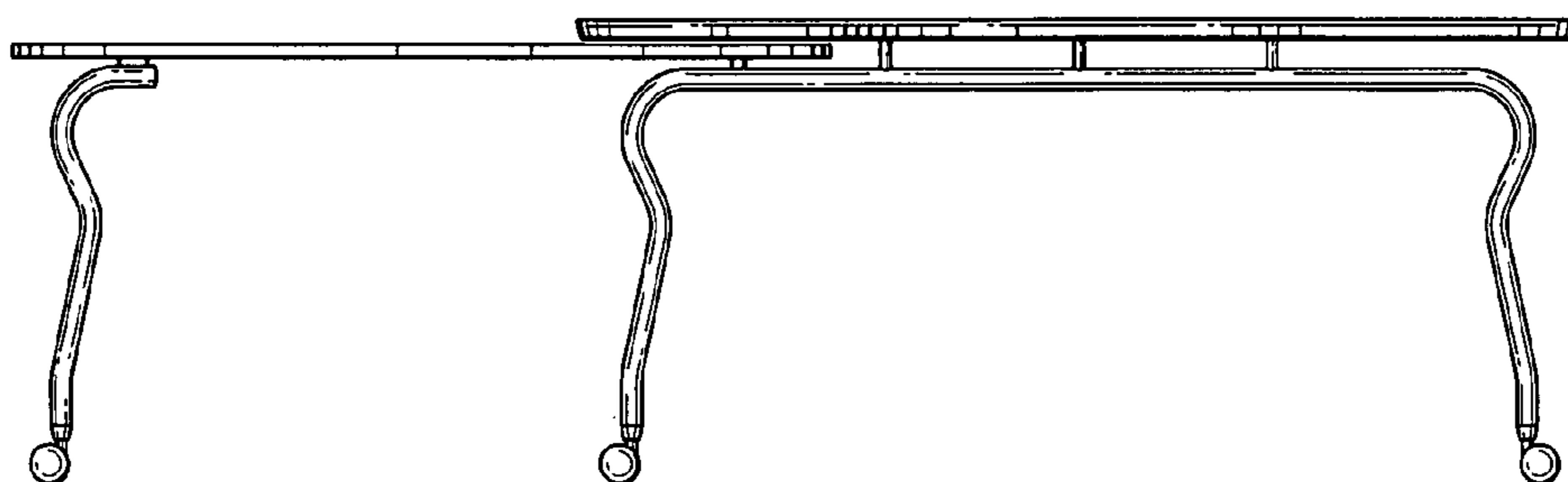


FIG.4

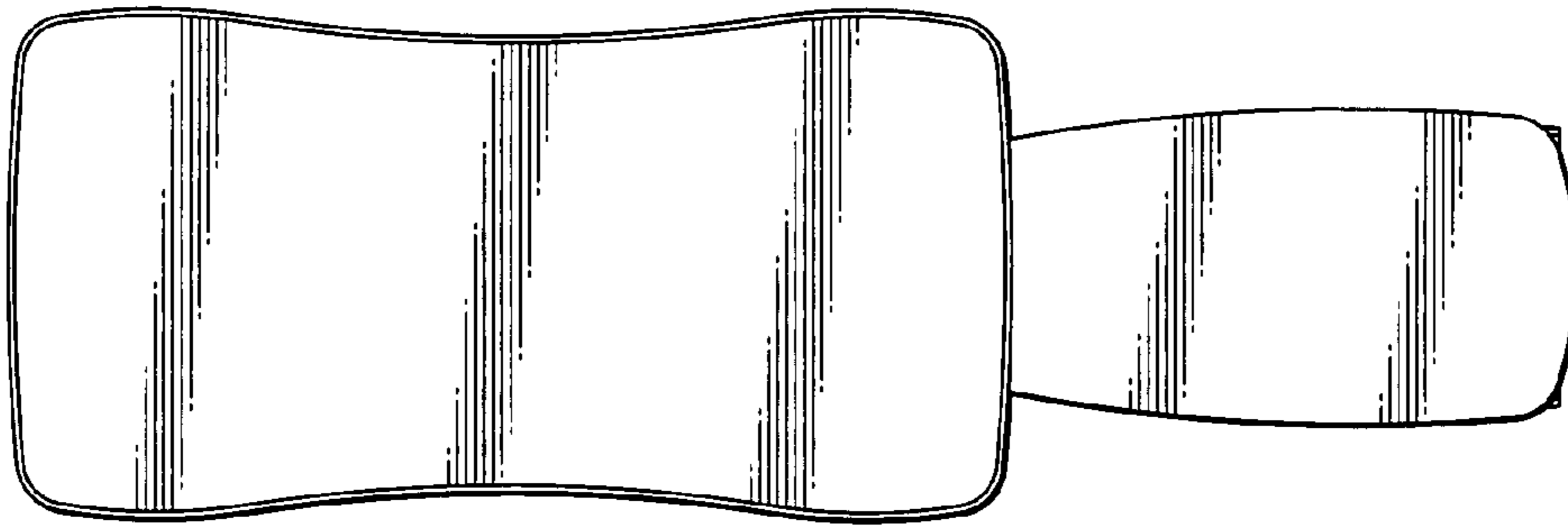


FIG.5

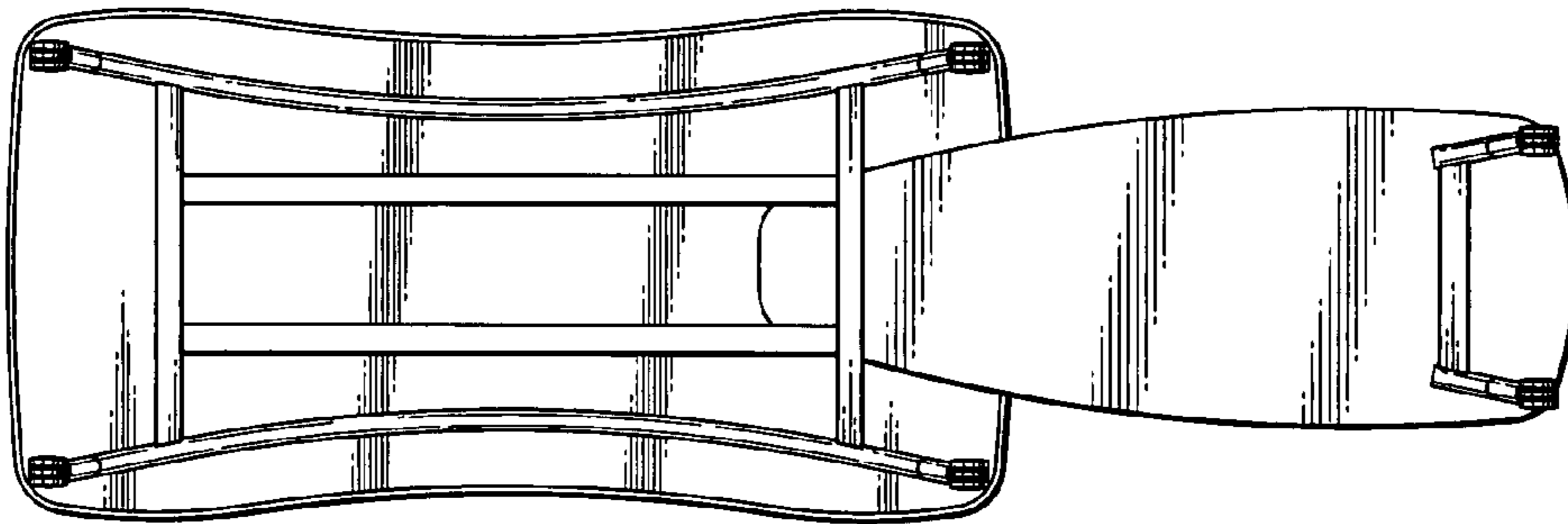


FIG.6

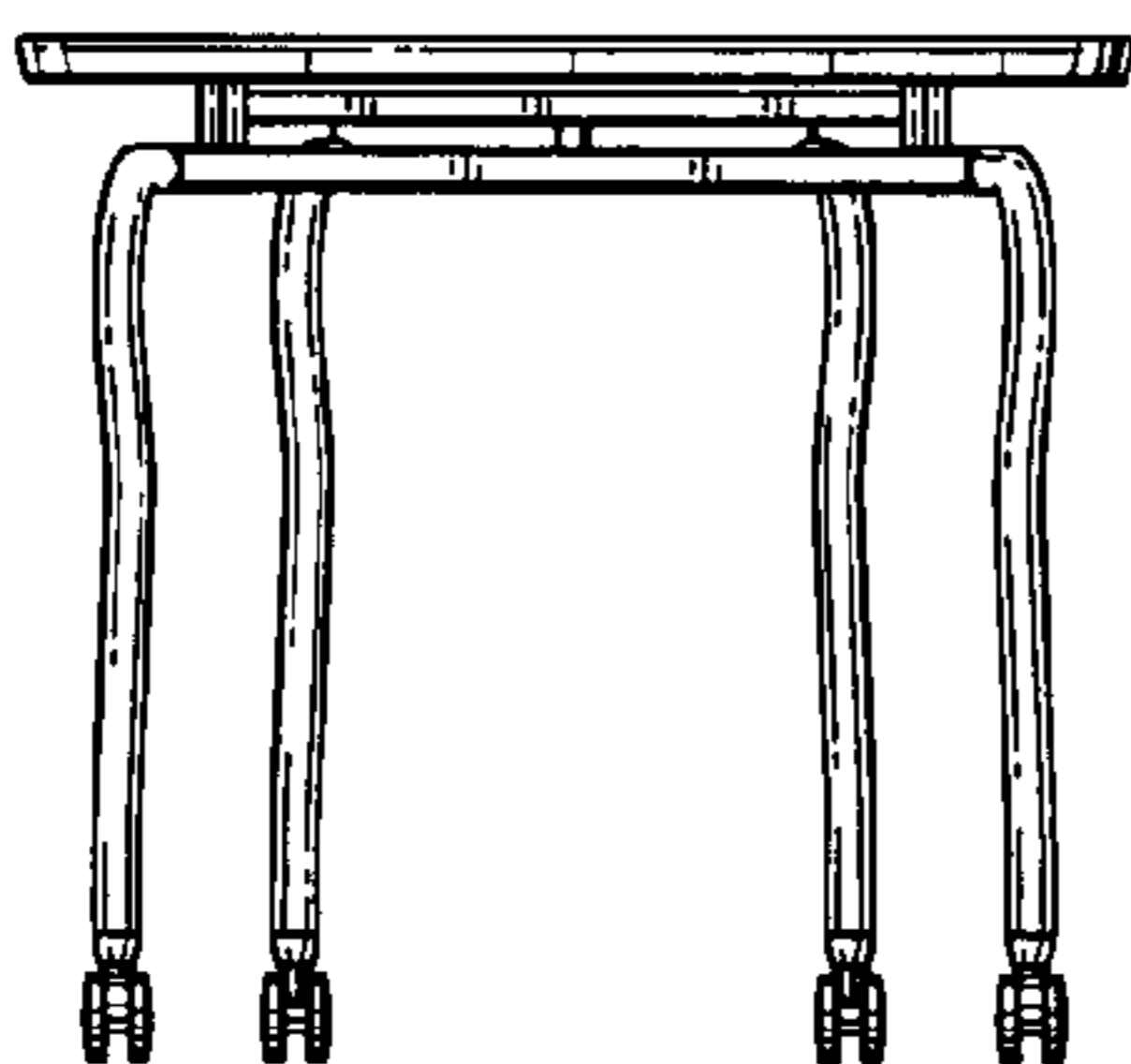


FIG.7

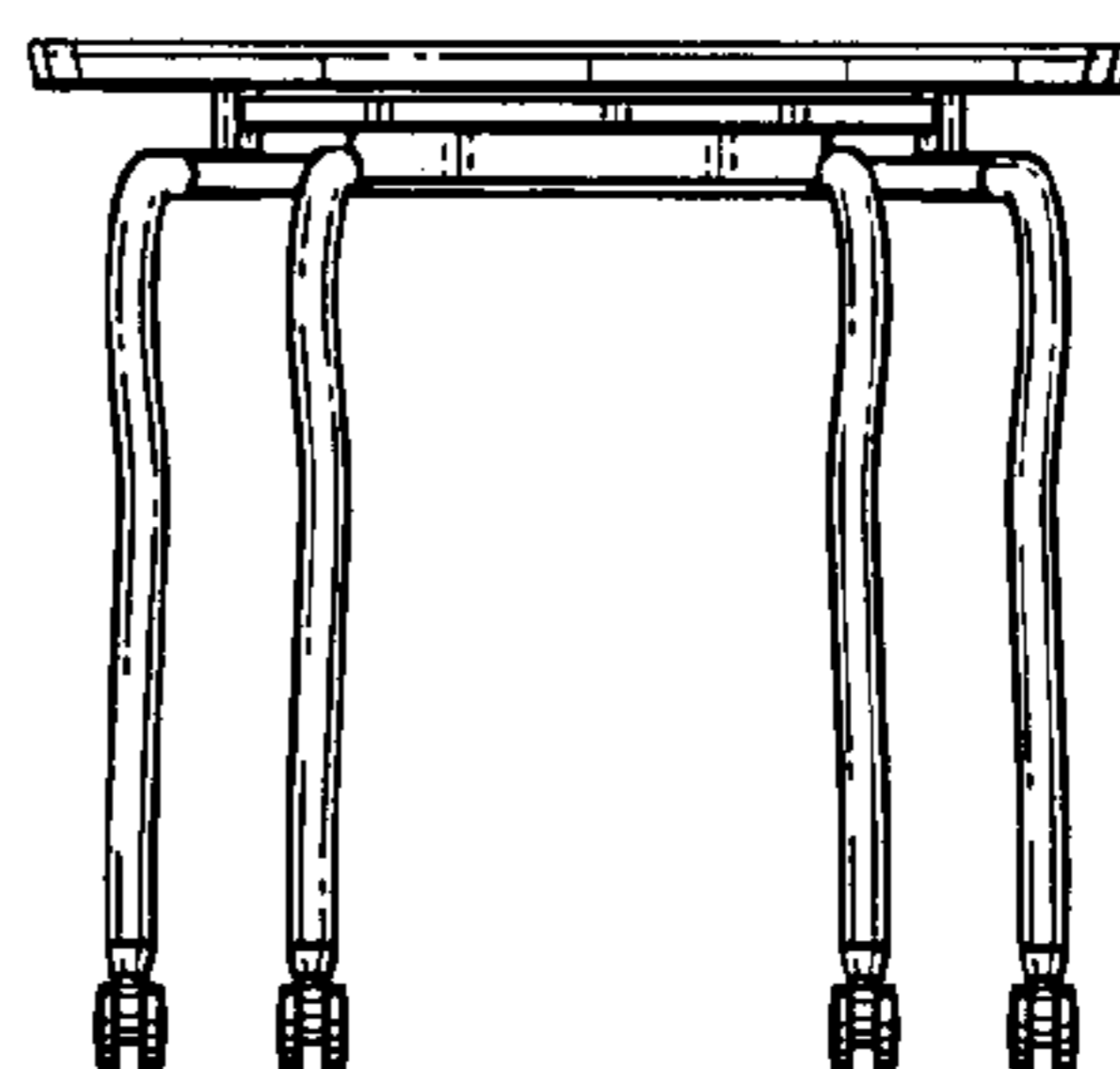


FIG.8

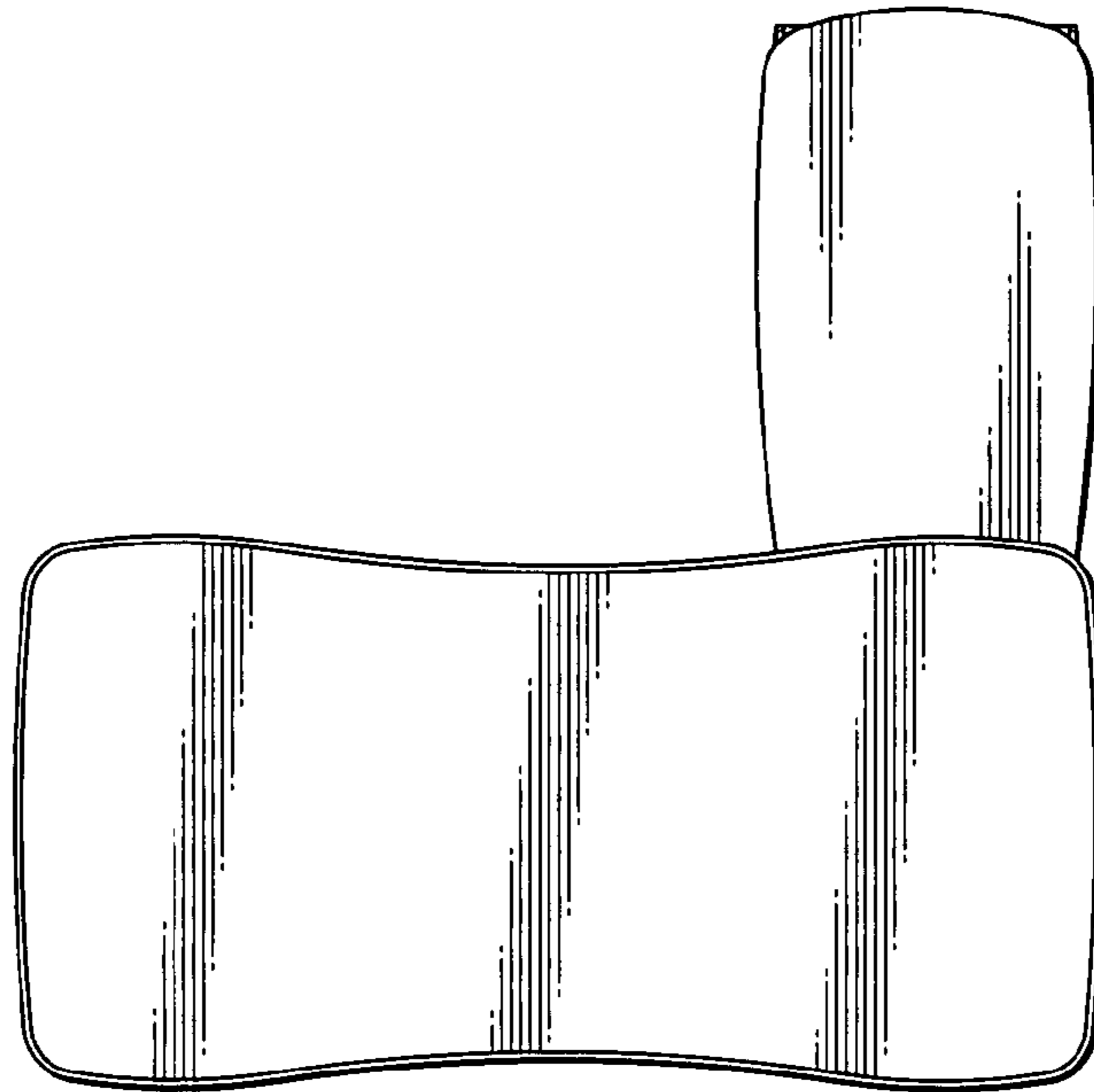


FIG.9

