



US00D567545S

(12) **United States Design Patent**
Liu

(10) **Patent No.:** **US D567,545 S**
(45) **Date of Patent:** **** Apr. 29, 2008**

(54) **FLAT PANEL TV STAND**

(76) Inventor: **Kuei-Chi Liu**, P.O. Box 215, Taichung
(TW) 40099

(**) Term: **14 Years**

(21) Appl. No.: **29/287,481**

(22) Filed: **Aug. 15, 2007**

(51) **LOC (8) Cl.** **06-04**

(52) **U.S. Cl.** **D6/479**

(58) **Field of Classification Search** D6/477-479,
D6/460-461, 468, 474, 407; D14/239, 129,
D14/126; 108/59, 96, 91-92; 211/40, 41.12,
211/42, 49.1, 50, 85.2

See application file for complete search history.

(56) **References Cited**

U.S. PATENT DOCUMENTS

D474,047 S *	5/2003	Lara	D6/479
D480,237 S *	10/2003	de Carolis	D6/474
D484,332 S *	12/2003	Niitsu	D6/477
D495,163 S *	8/2004	Weatherly	D6/479
D516,847 S *	3/2006	Stenhouse et al.	D6/509
D537,658 S *	3/2007	Tung	D6/479

7,195,213 B2 *	3/2007	Weatherly	248/125.1
D539,565 S *	4/2007	Sexton, III	D6/474
D539,566 S *	4/2007	Anderson	D6/474

* cited by examiner

Primary Examiner—Elizabeth A. Albert
Assistant Examiner—Kelley A. Donnelly

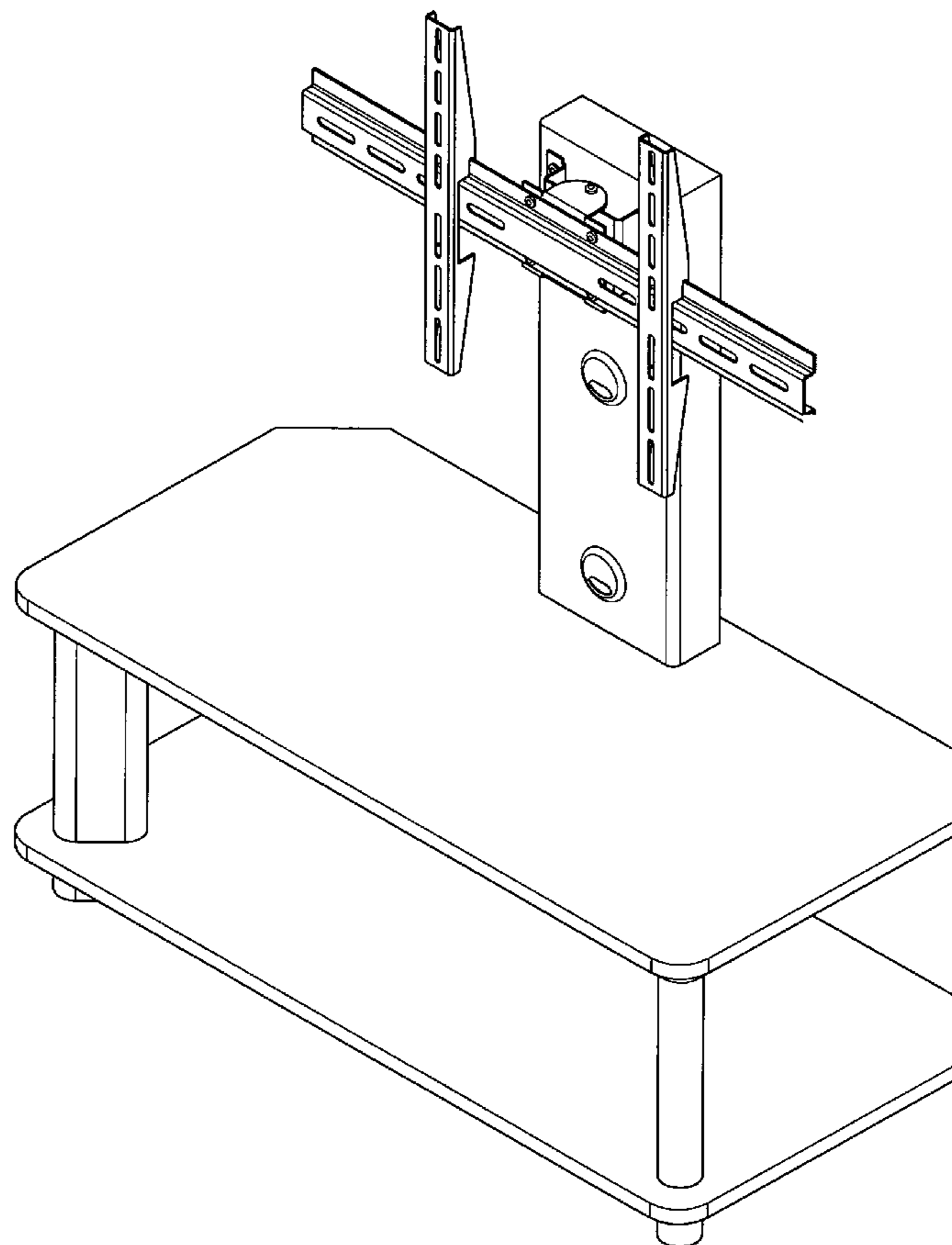
(57) **CLAIM**

The ornamental design for flat panel TV stand, as shown and described.

DESCRIPTION

FIG. 1 is a perspective view of flat panel TV stand showing my new design;
FIG. 2 is a front elevational view thereof;
FIG. 3 is a rear elevation view thereof;
FIG. 4 is a left side view thereof;
FIG. 5 is a right side view thereof;
FIG. 6 is a top plan view thereof; and,
FIG. 7 is a bottom plan view thereof.

1 Claim, 7 Drawing Sheets



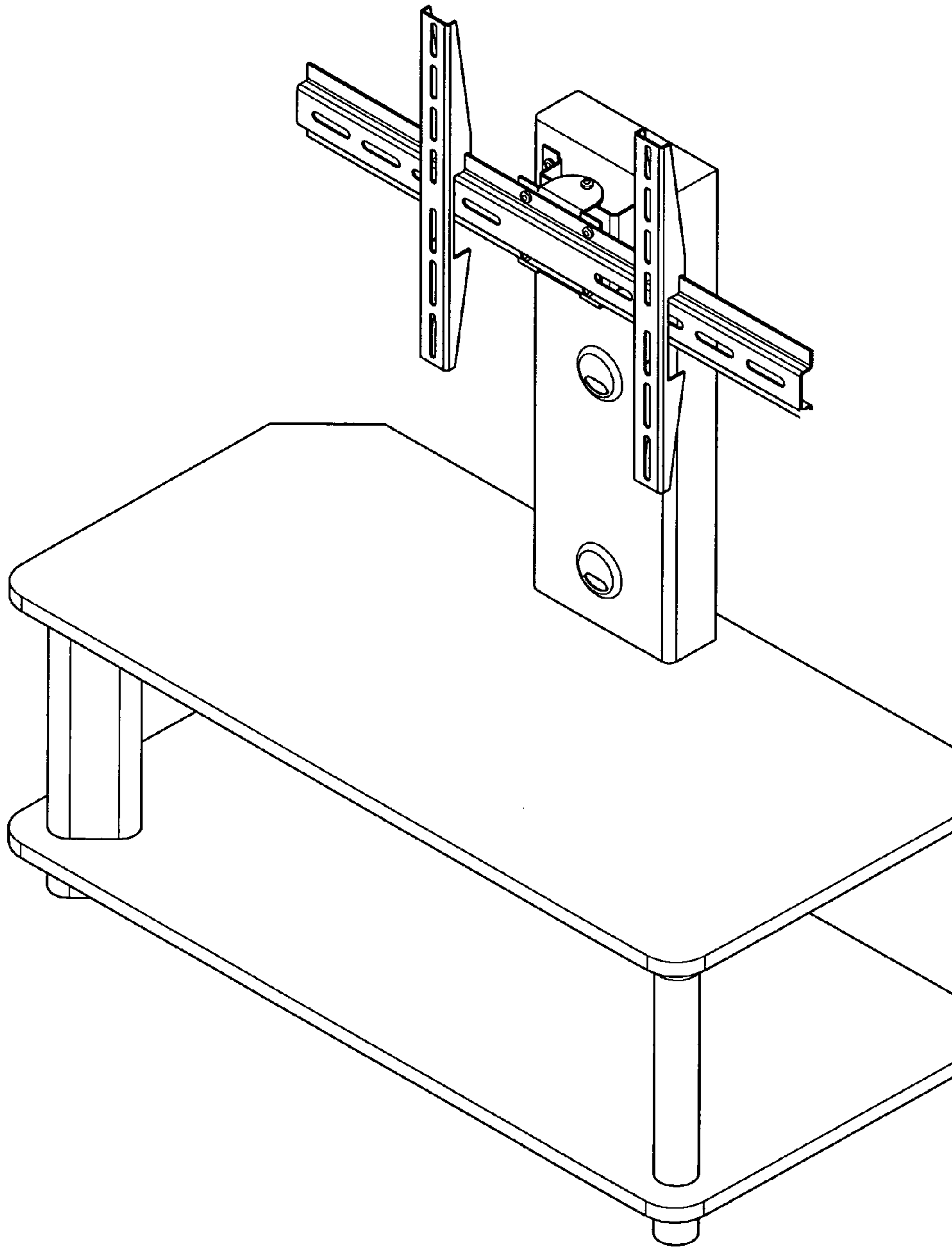


FIG 1

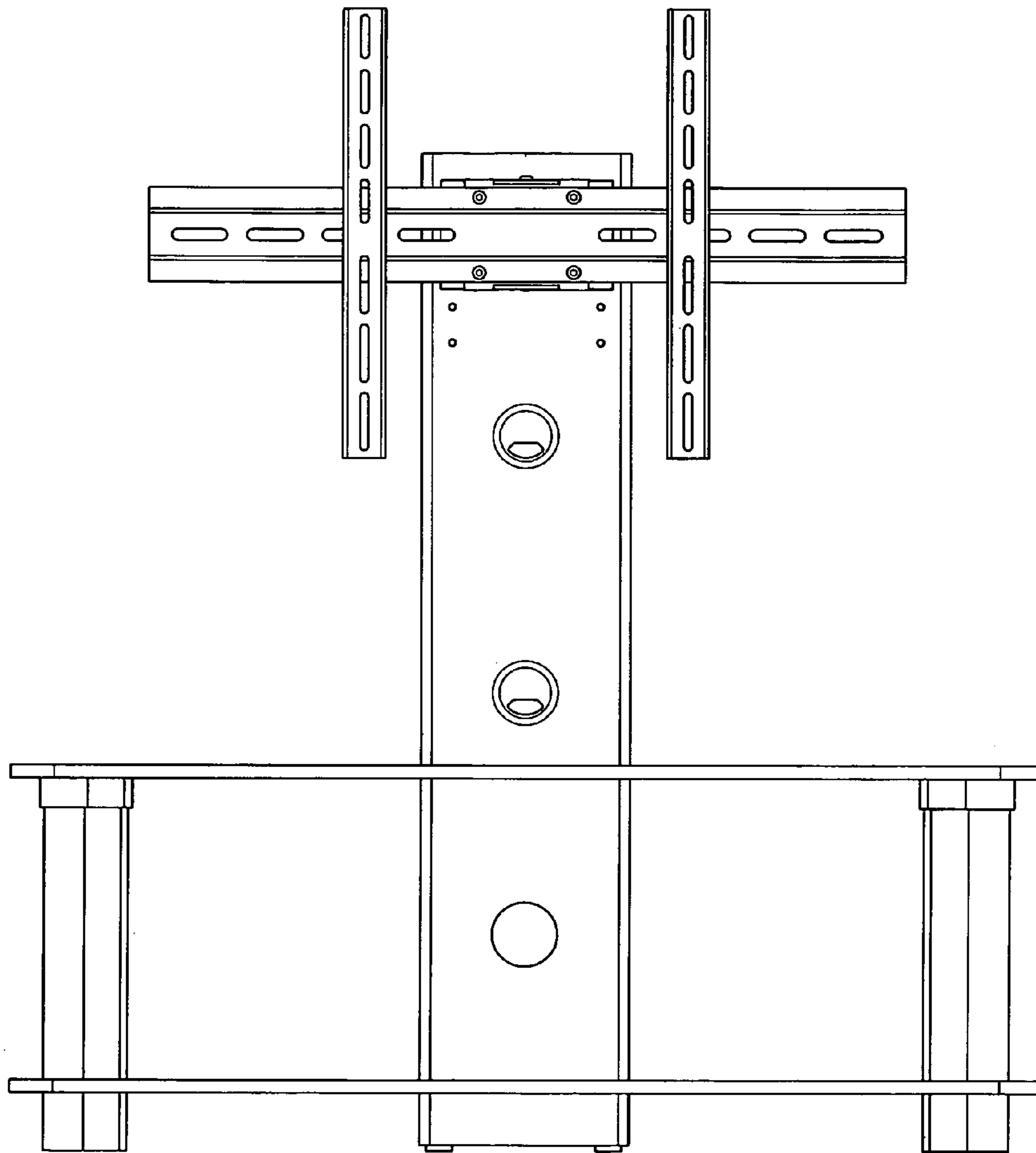


FIG 2

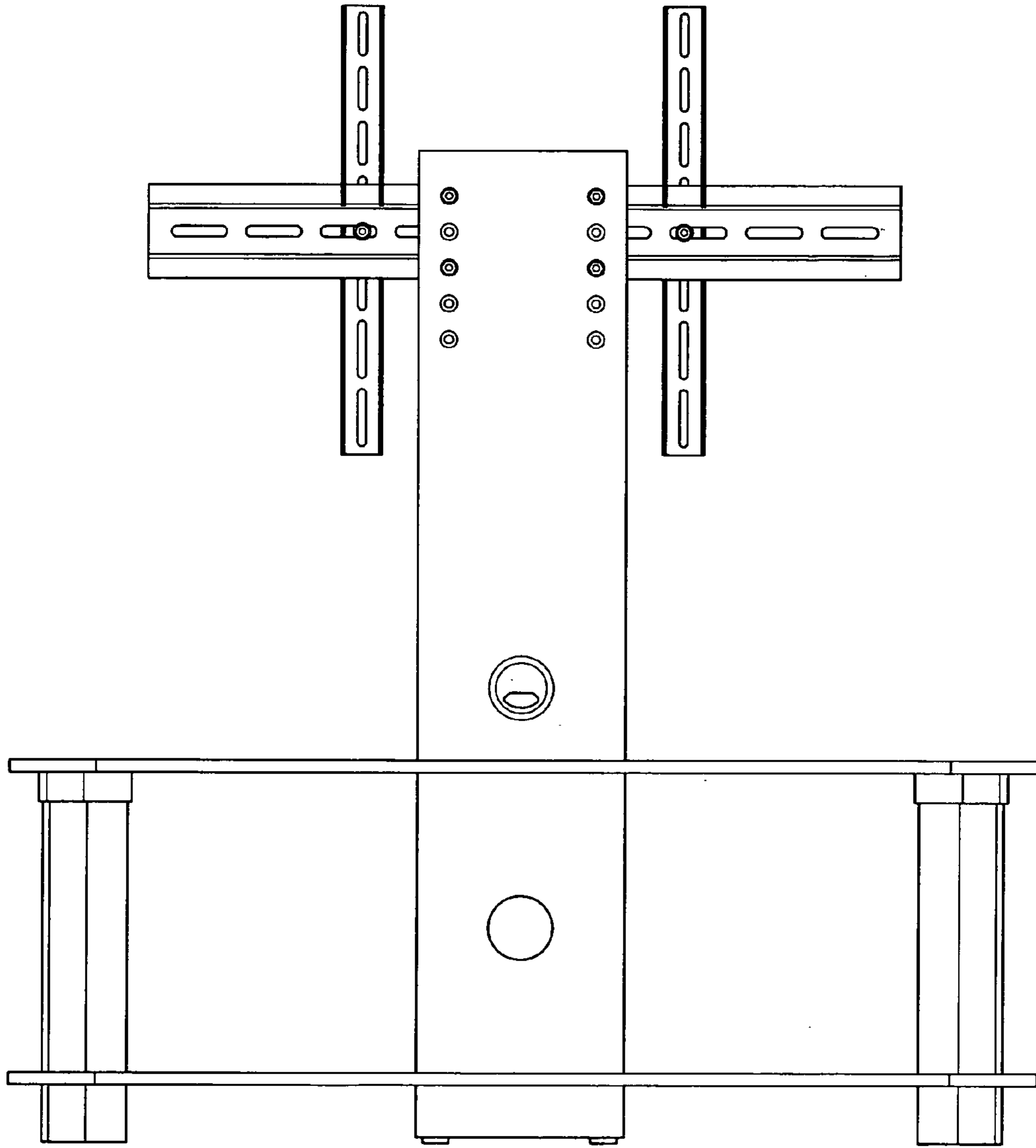


FIG 3

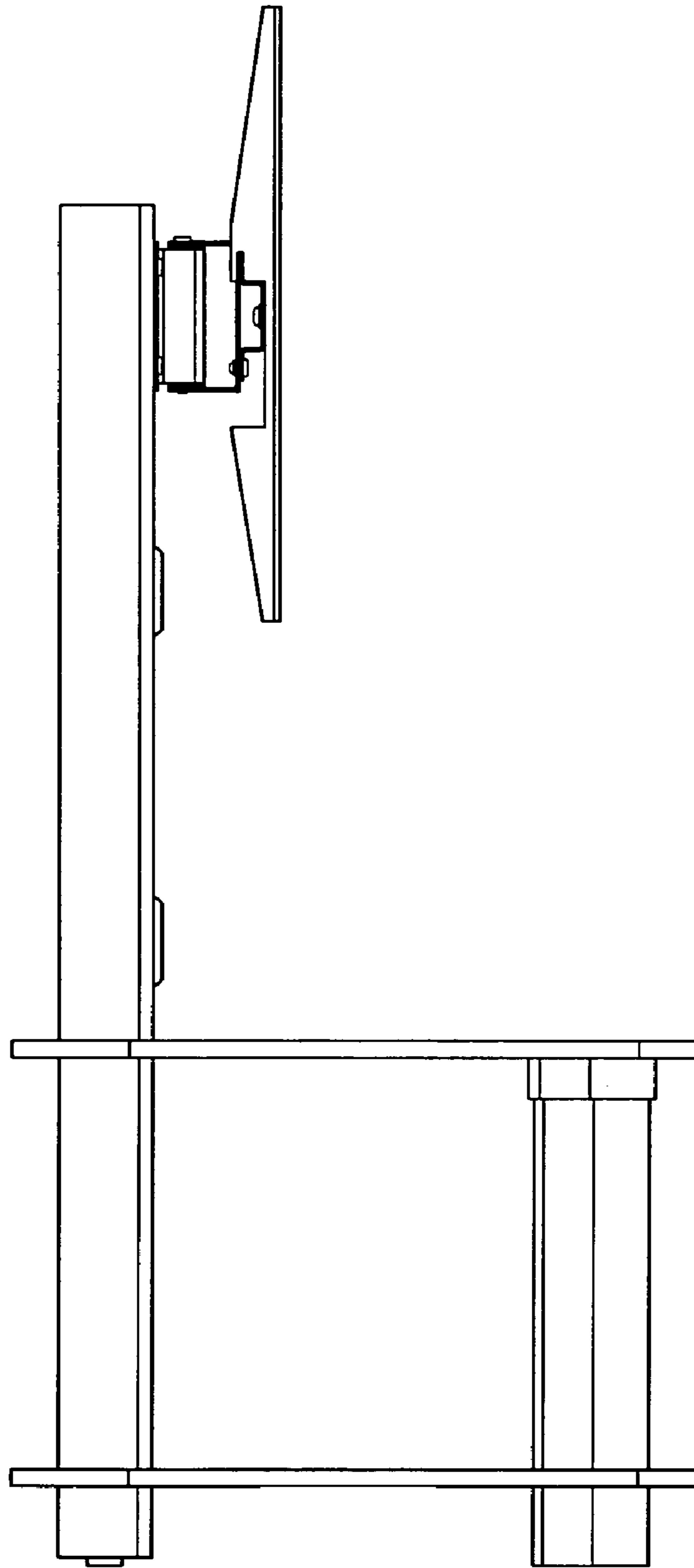


FIG 4

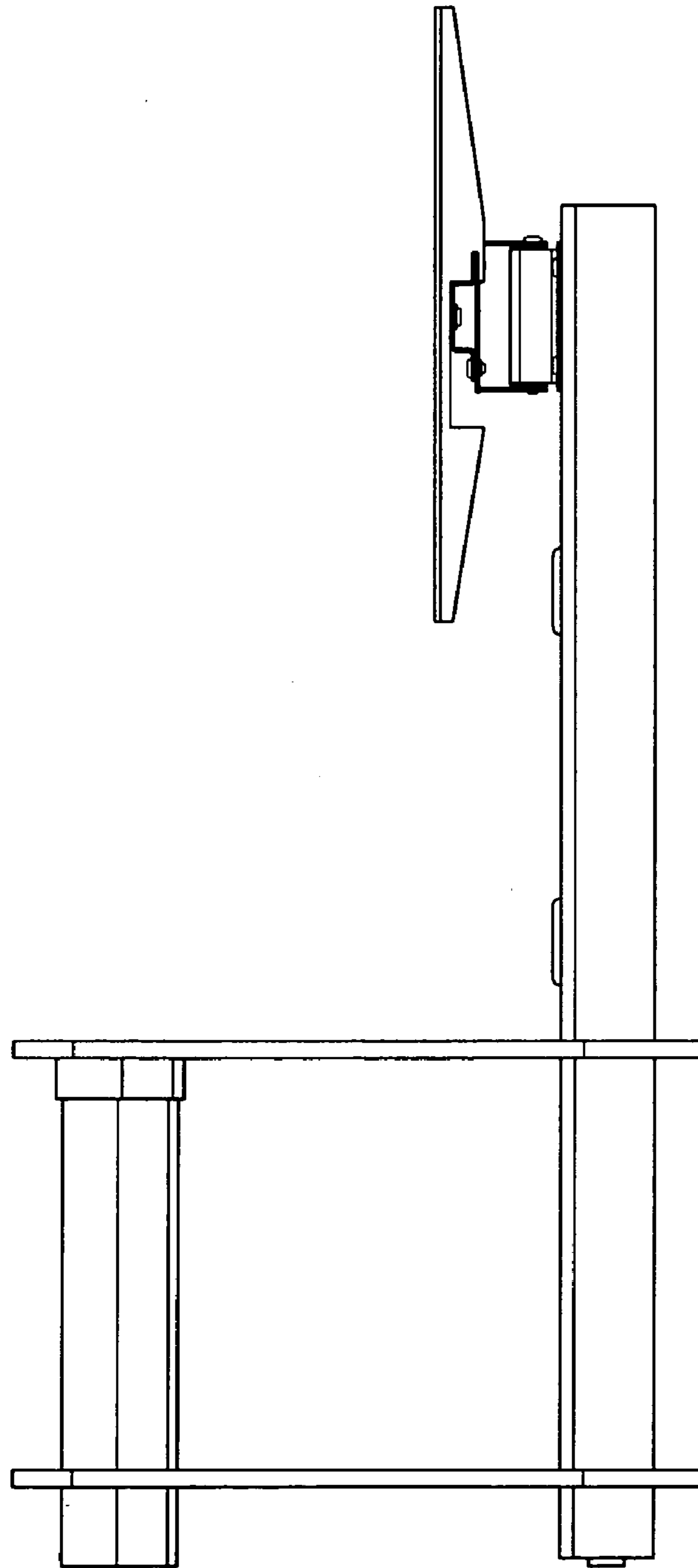


FIG 5

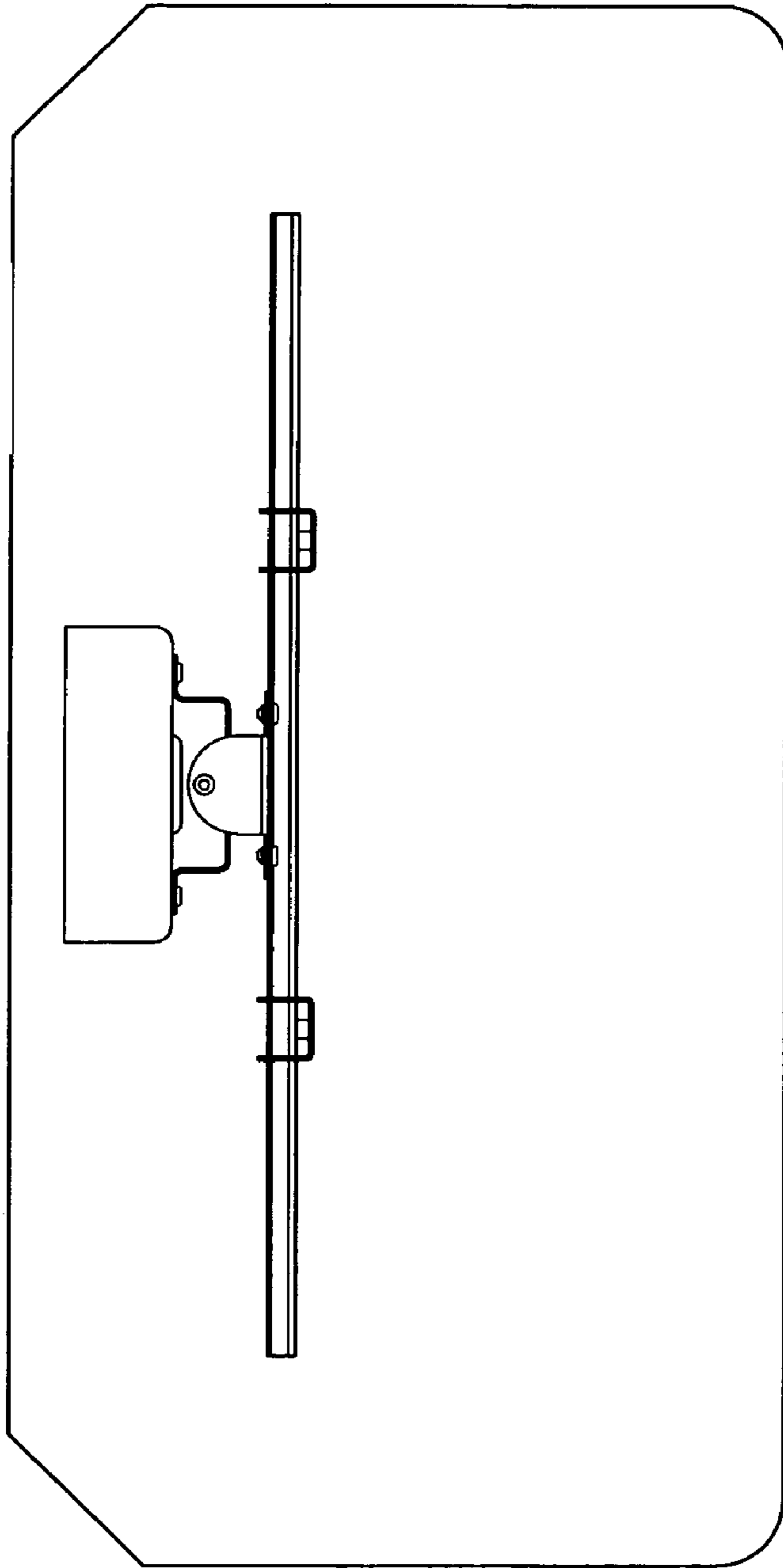


FIG 6

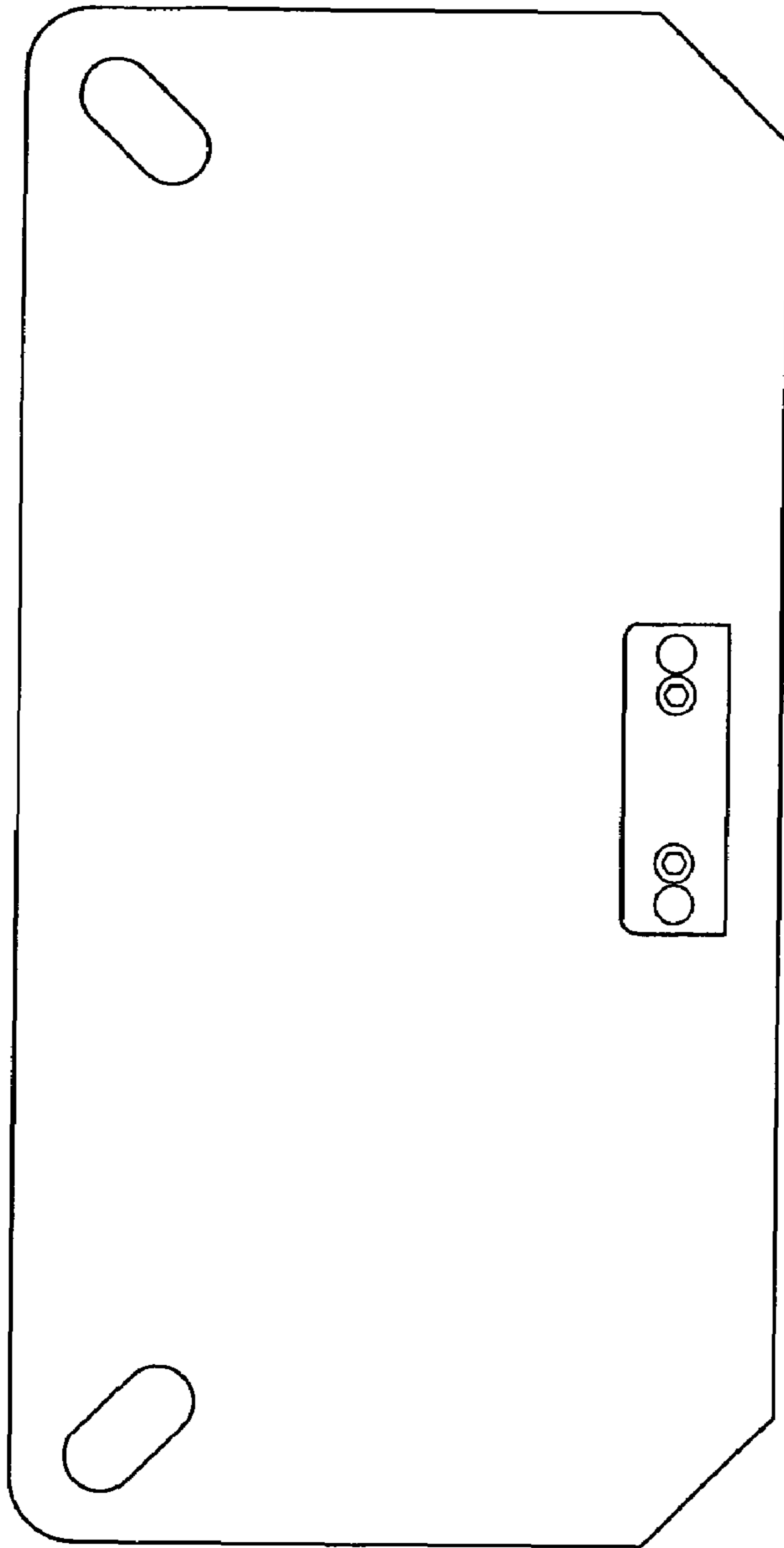


FIG 7