

US00D567544S

(12) **United States Design Patent**
Warwick

(10) **Patent No.:** **US D567,544 S**

(45) **Date of Patent:** **** Apr. 29, 2008**

(54) **STORAGE SYSTEM**

(76) **Inventor:** **Doris J. Warwick**, 15604 Mews Ct.,
Laurel, MD (US) 20707

(**) **Term:** **14 Years**

(21) **Appl. No.:** **29/284,098**

(22) **Filed:** **Aug. 30, 2007**

(51) **LOC (8) Cl.** **06-04**

(52) **U.S. Cl.** **D6/476**

(58) **Field of Classification Search** D6/476,
D6/439, 445, 432, 448; 312/203-204, 198;
D15/86-87; D3/319

See application file for complete search history.

(56) **References Cited**

U.S. PATENT DOCUMENTS

3,942,707 A	3/1976	Schidlowski et al.	
D283,861 S *	5/1986	Cantolino	D6/471
4,760,921 A	8/1988	Licari	
D300,788 S *	4/1989	Crawley	D6/397
4,819,795 A	4/1989	Swaney	
D316,940 S *	5/1991	Boyd	D6/467
D356,891 S	4/1995	Hobson	
D359,445 S *	6/1995	Broyles	D6/476
5,466,058 A	11/1995	Chan	

5,590,766 A	1/1997	Carnahan et al.	
D494,760 S *	8/2004	Yuan	D3/313
D553,384 S *	10/2007	Wilenius	D6/408
2001/0013482 A1	8/2001	Earnhart et al.	

* cited by examiner

Primary Examiner—Elizabeth A. Albert
Assistant Examiner—Kelley A. Donnelly
(74) *Attorney, Agent, or Firm*—Advantia Law Group;
Michael W. Starkweather; Jason P. Webb

(57) **CLAIM**

The ornamental design for a storage system, as shown and described.

DESCRIPTION

FIG. 1 is a front elevational view of a storage system showing my design;

FIG. 2 is a rear elevational view thereof;

FIG. 3 is a left side elevational view thereof;

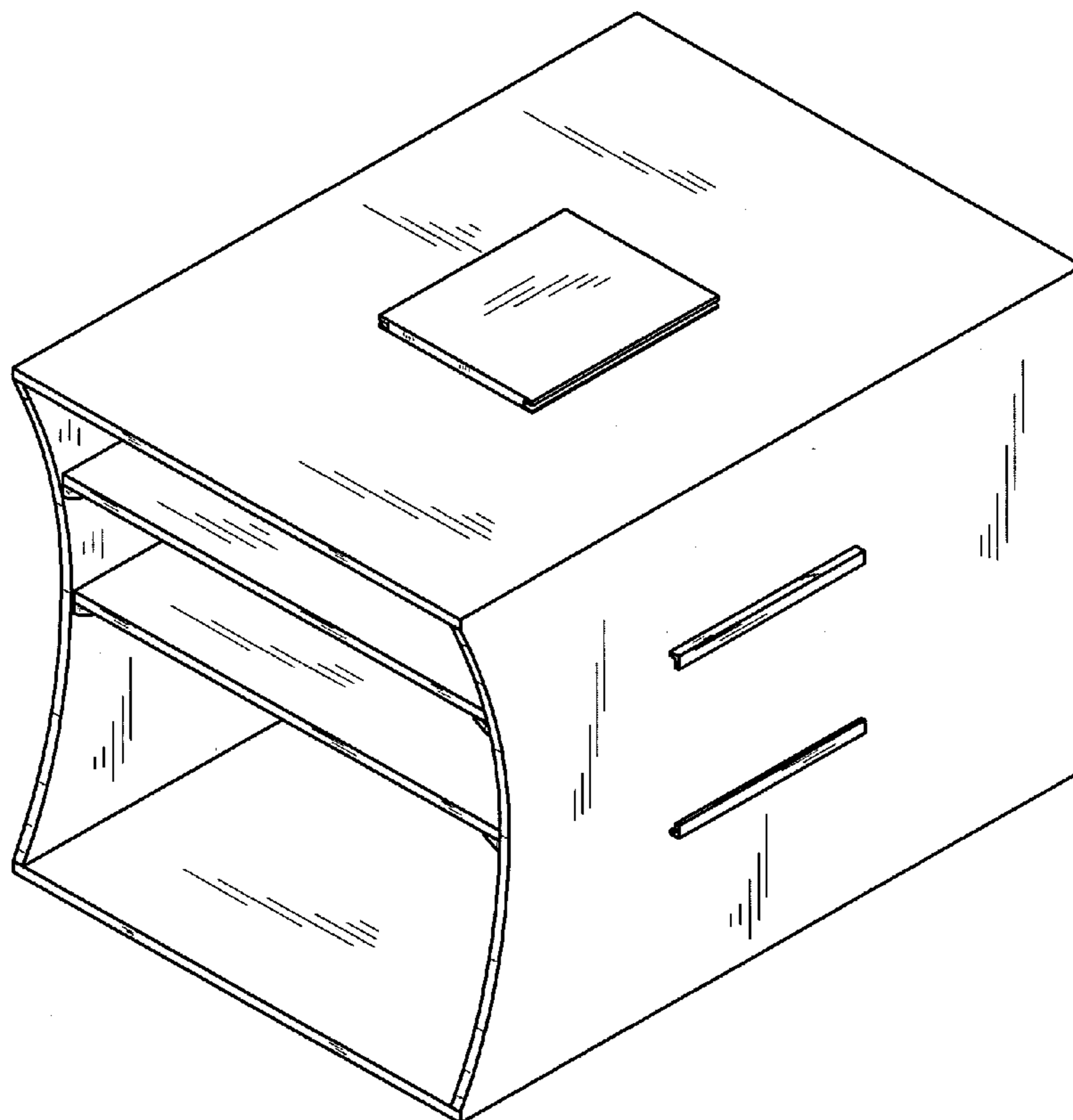
FIG. 4 is a right side elevational view thereof;

FIG. 5 is a top plan view thereof;

FIG. 6 is a bottom plan view thereof; and,

FIG. 7 is a perspective view thereof.

1 Claim, 4 Drawing Sheets



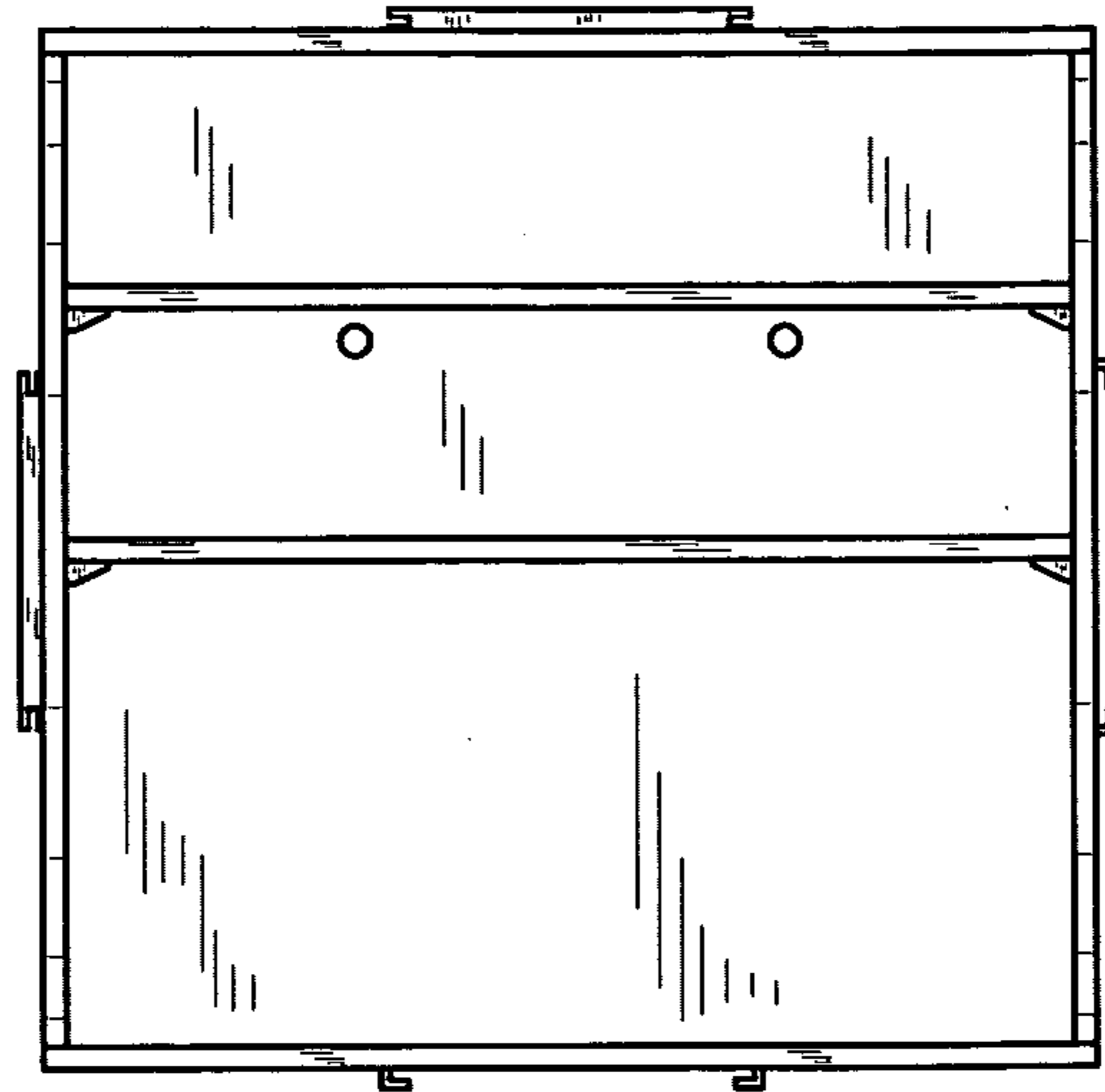


FIG. 1

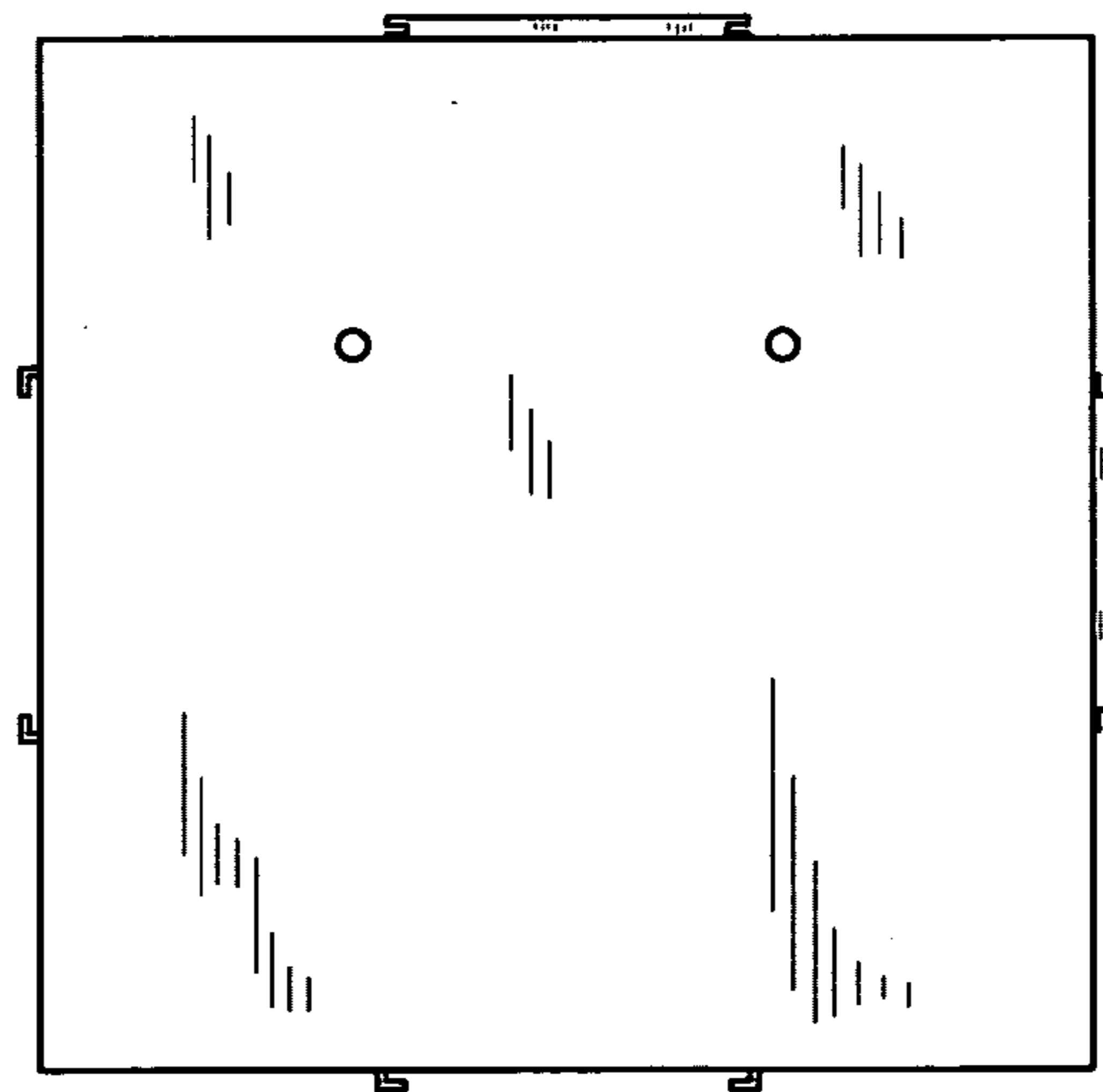


FIG. 2

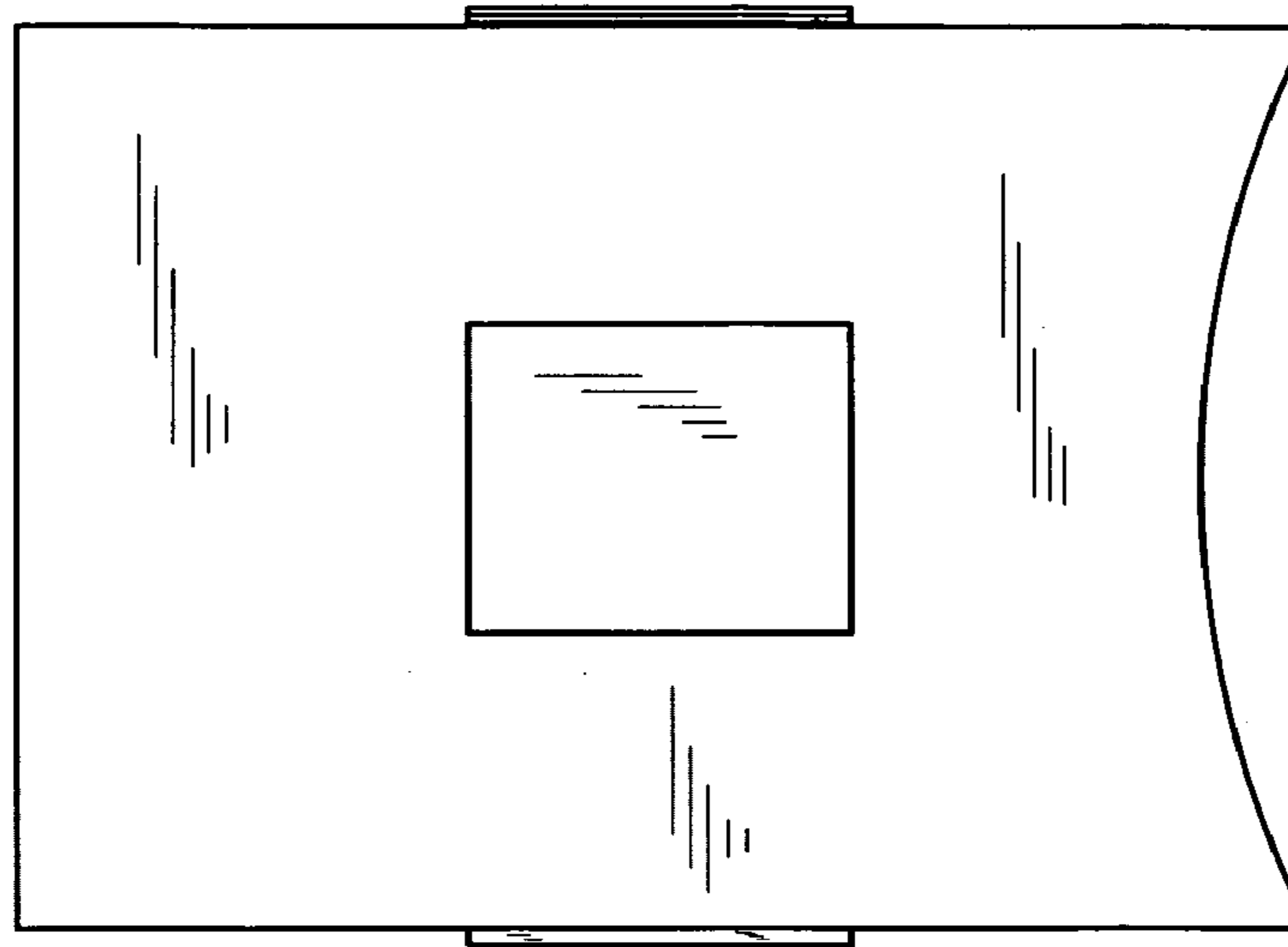


FIG. 3

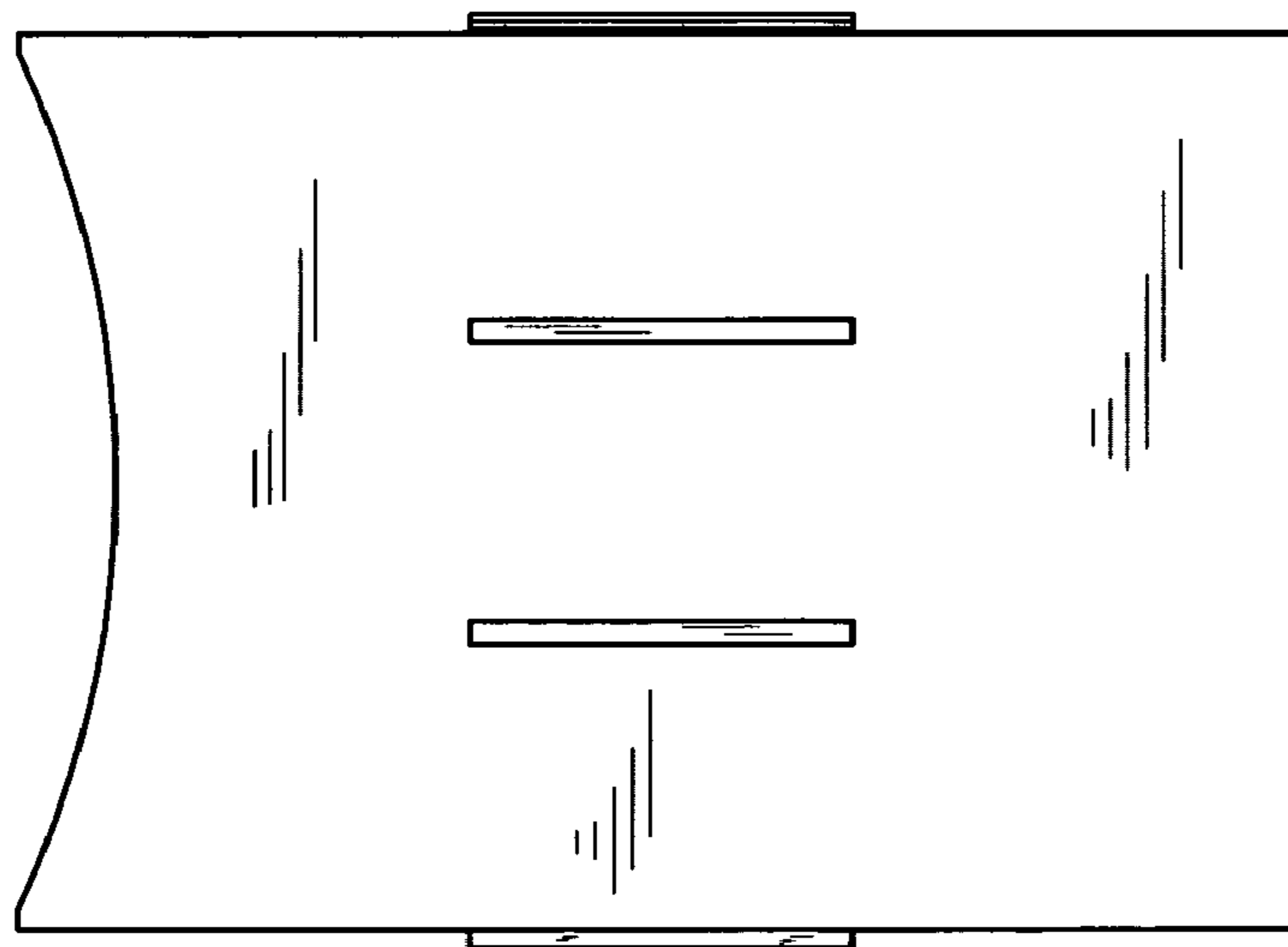


FIG. 4

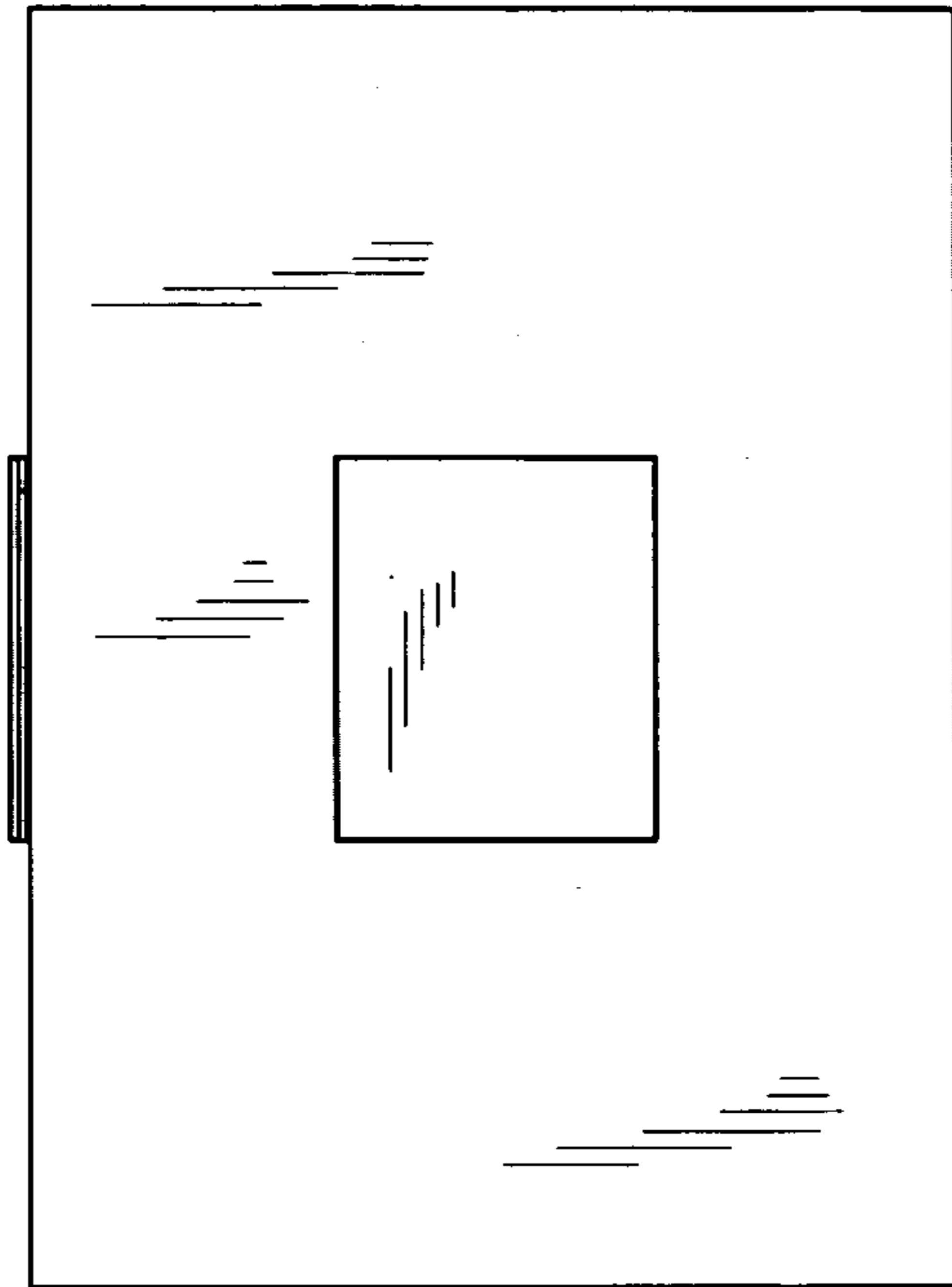


FIG. 5

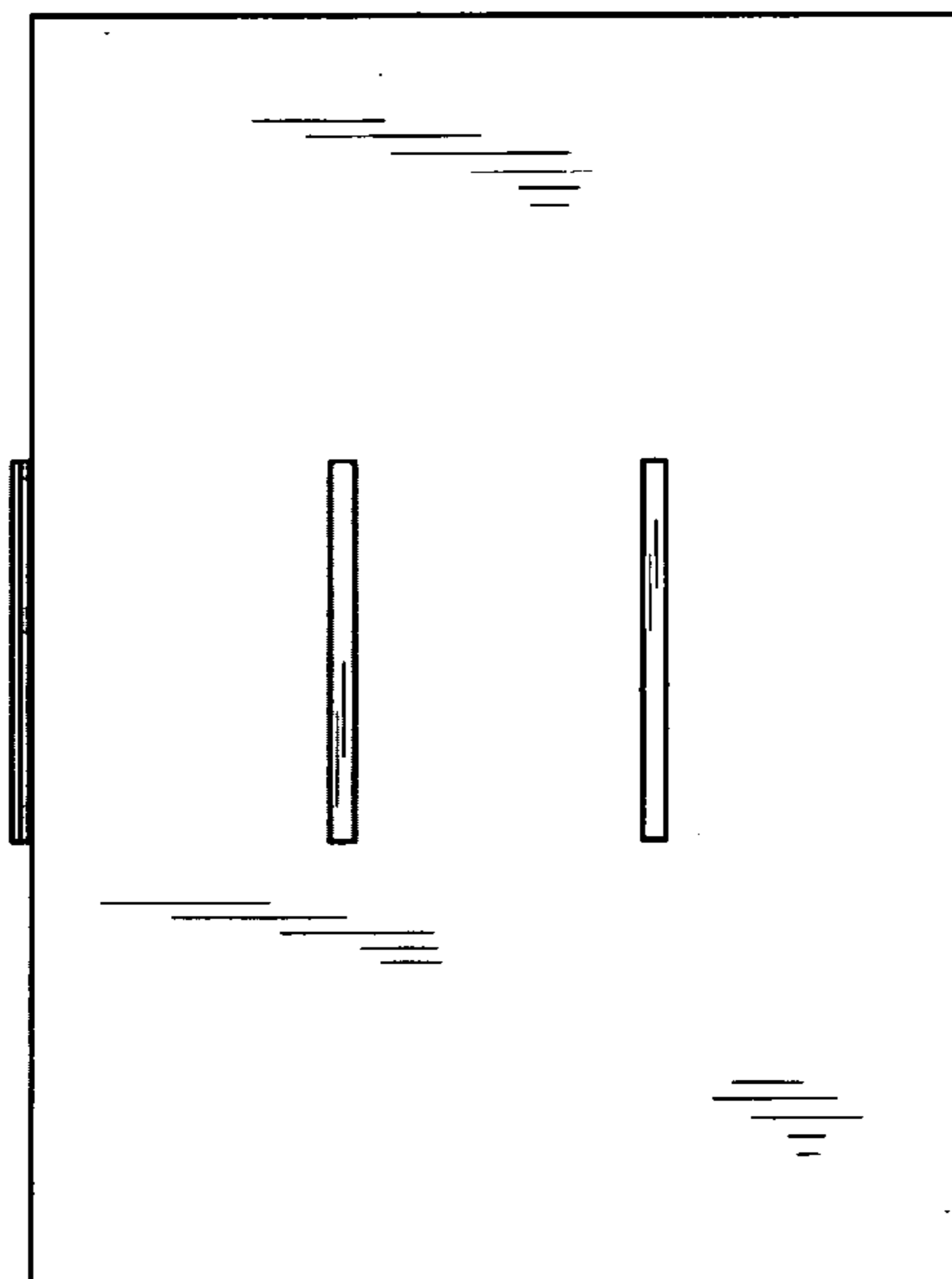


FIG. 6

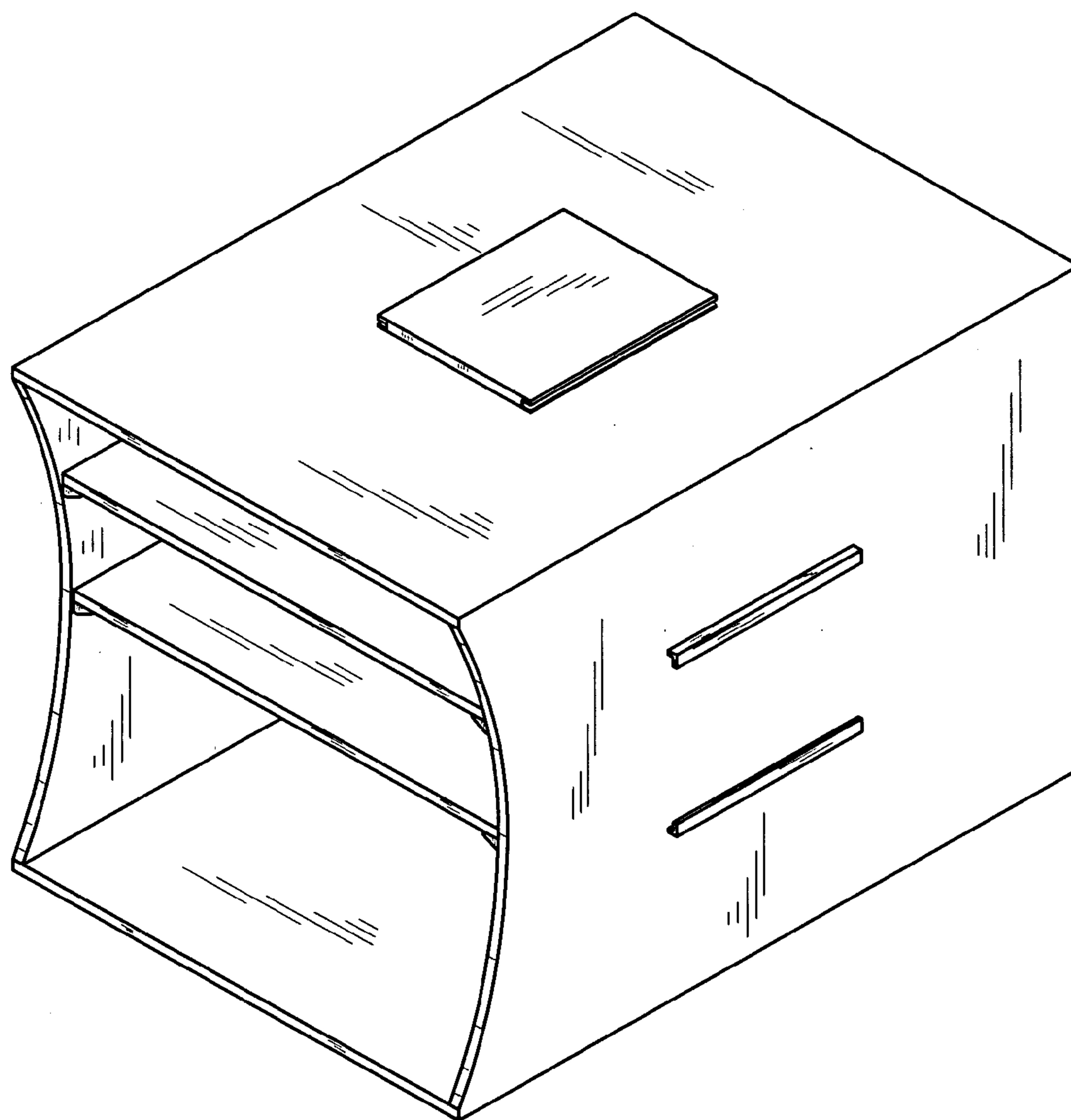


FIG. 7