

US00D567543S

(12) **United States Design Patent**
McFaddin

(10) **Patent No.:** **US D567,543 S**

(45) **Date of Patent:** **** Apr. 29, 2008**

(54) **TRAY INSERT**

(75) **Inventor:** **Megan D. McFaddin**, Louisville, KY (US)

(73) **Assignee:** **McFaddin Marketing, Inc.**, Louisville, KY (US)

(**) **Term:** **14 Years**

(21) **Appl. No.:** **29/244,222**

(22) **Filed:** **Dec. 7, 2005**

(51) **LOC (8) Cl.** **06-06**

(52) **U.S. Cl.** **D6/469**

(58) **Field of Classification Search** D6/469, D6/406.4, 406.5, 406.6; D7/552.1, 553.5, D7/553, 555, 556, 505; D12/419, 420; 206/562, 206/541, 217, 499, 563; 294/159; 426/505; 108/25; 280/32.6; 312/209; 220/527
See application file for complete search history.

(56) **References Cited**

U.S. PATENT DOCUMENTS

- D129,530 S 10/1941 Manaster
- D186,368 S * 10/1959 Brown D12/419
- D230,810 S 3/1974 Ryan
- D267,767 S * 2/1983 Storrs D7/553.5
- D267,848 S 2/1983 Dowling
- D293,163 S * 12/1987 Roth D12/420
- D308,450 S * 6/1990 Harris et al. D6/406.6
- D308,773 S * 6/1990 Morrow et al. D6/406.4
- D322,914 S 1/1992 Unger
- D351,316 S 10/1994 Mann
- D363,643 S * 10/1995 Eisenberg D7/552.1
- D370,390 S 6/1996 Chudgar

- D376,928 S * 12/1996 Lorenzana et al. D6/406.5
- 5,915,561 A * 6/1999 Lorenzana et al. 206/562
- D415,995 S * 11/1999 Kanehl, Jr. D12/419
- 6,264,026 B1 7/2001 Bradley
- 6,311,841 B1 * 11/2001 Hodges 206/541
- D483,998 S 12/2003 Bulcher et al.
- D489,941 S 5/2004 Bulcher et al.
- 2002/0027366 A1 3/2002 Bieri

FOREIGN PATENT DOCUMENTS

EP 0 289 258 A2 11/1988

* cited by examiner

Primary Examiner—Cathron C. Brooks

Assistant Examiner—George D Kirschbaum

(74) *Attorney, Agent, or Firm*—James C. Eaves, Jr.; Greenebaum Doll & McDonald PLLC

(57) **CLAIM**

The ornamental design for a tray insert, as shown and described.

DESCRIPTION

FIG. 1 is a top perspective view of a tray insert showing my design;

FIG. 2 is a top plan view;

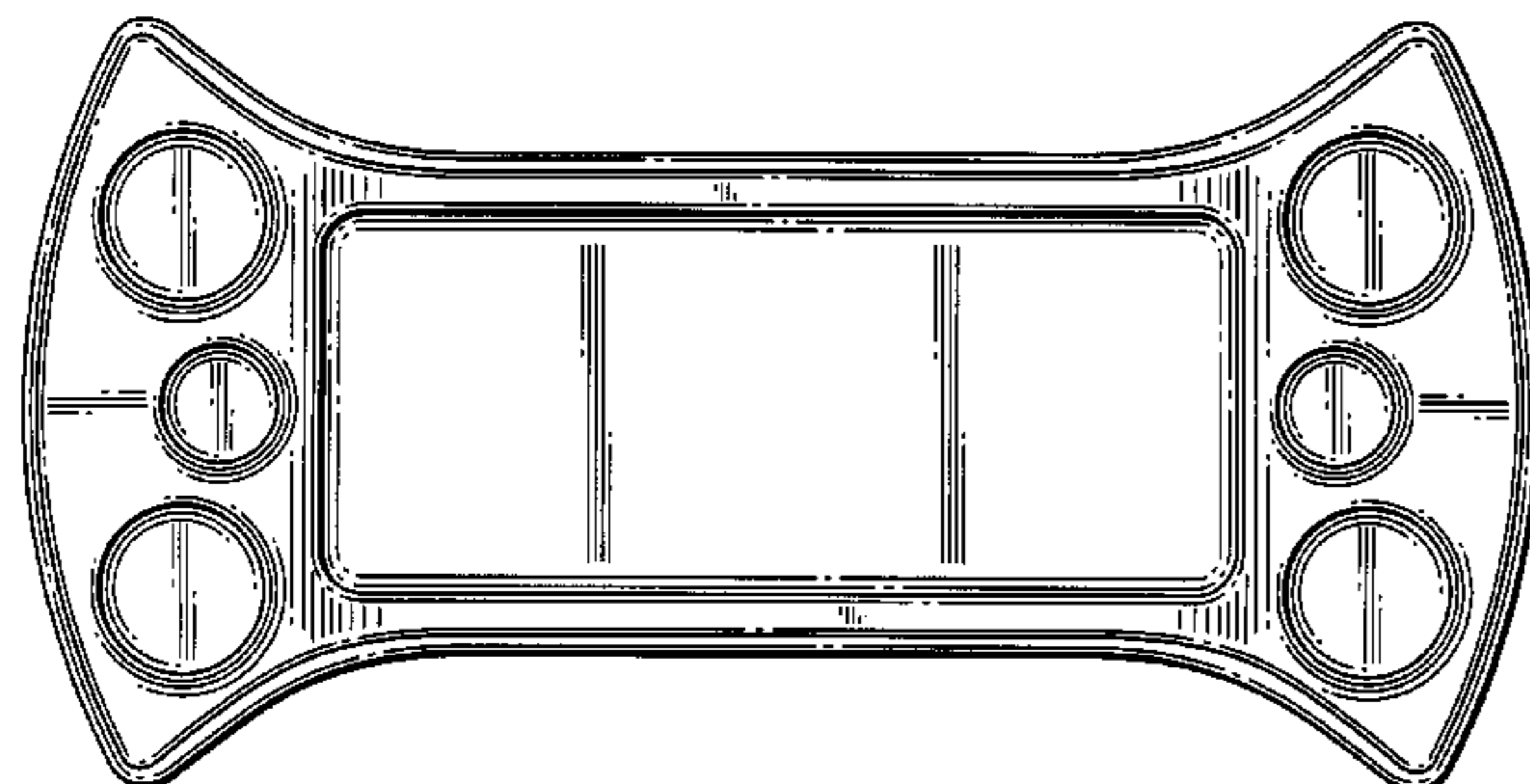
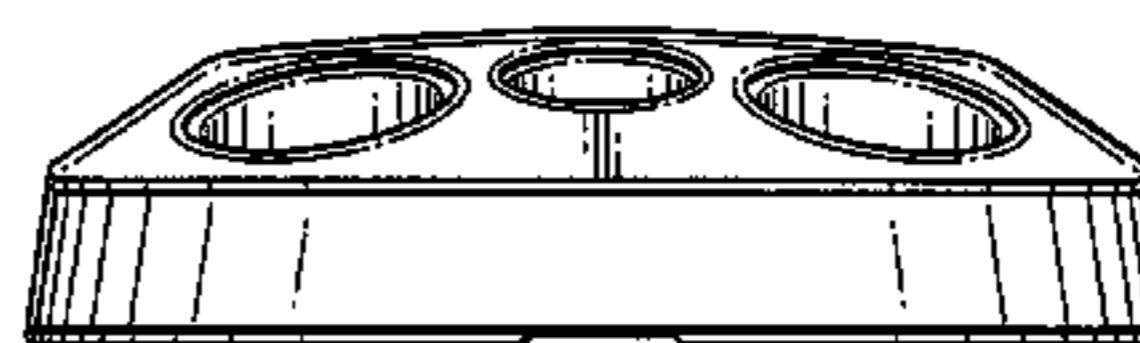
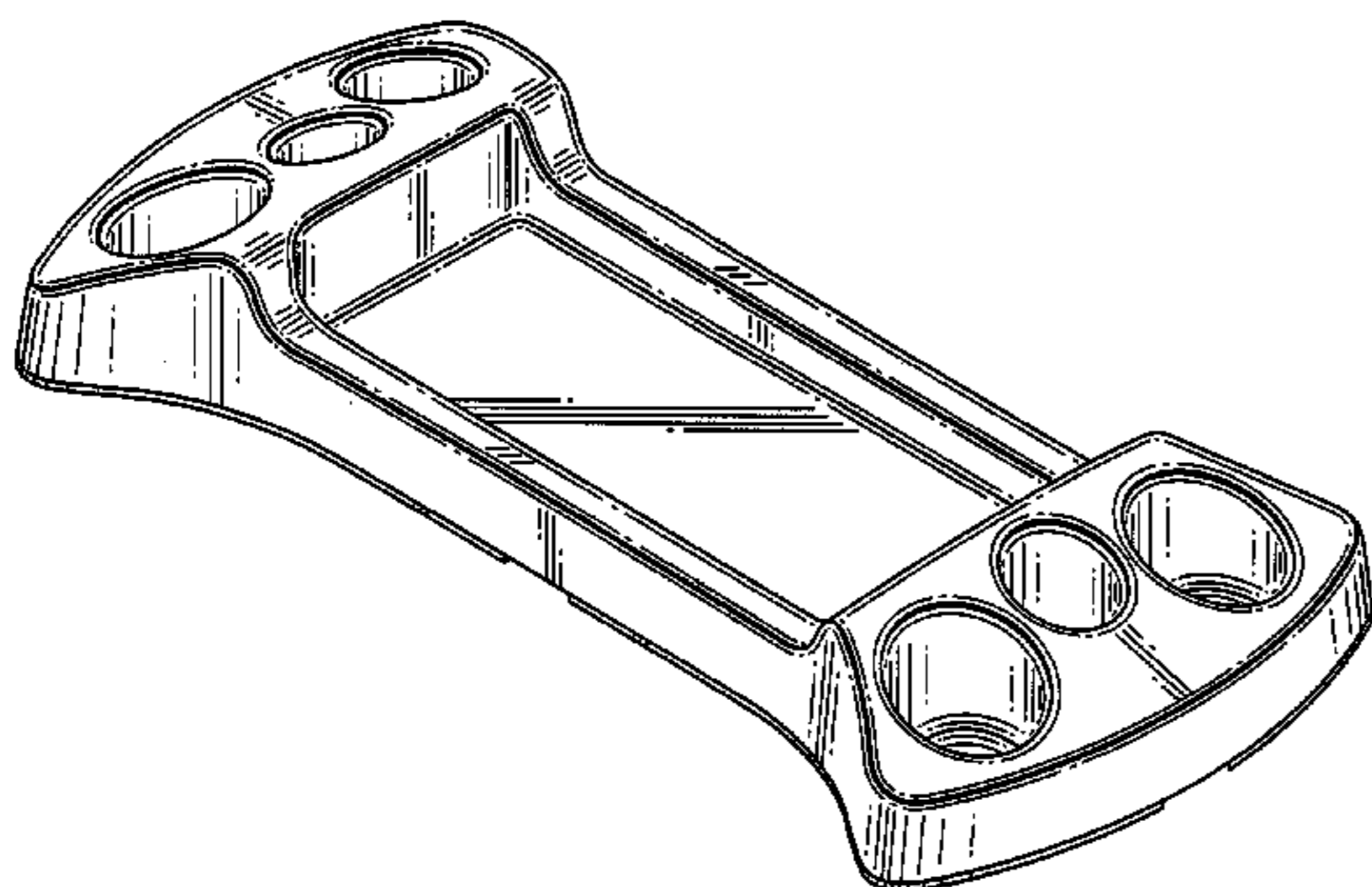
FIG. 3 is an end plan view, the opposed end being a mirror image thereof;

FIG. 4 is an end plan view ninety degrees from the view of FIG. 3, the opposed end being a mirror image thereof;

FIG. 5 is a bottom plan view; and,

FIG. 6 is a bottom perspective view.

1 Claim, 6 Drawing Sheets



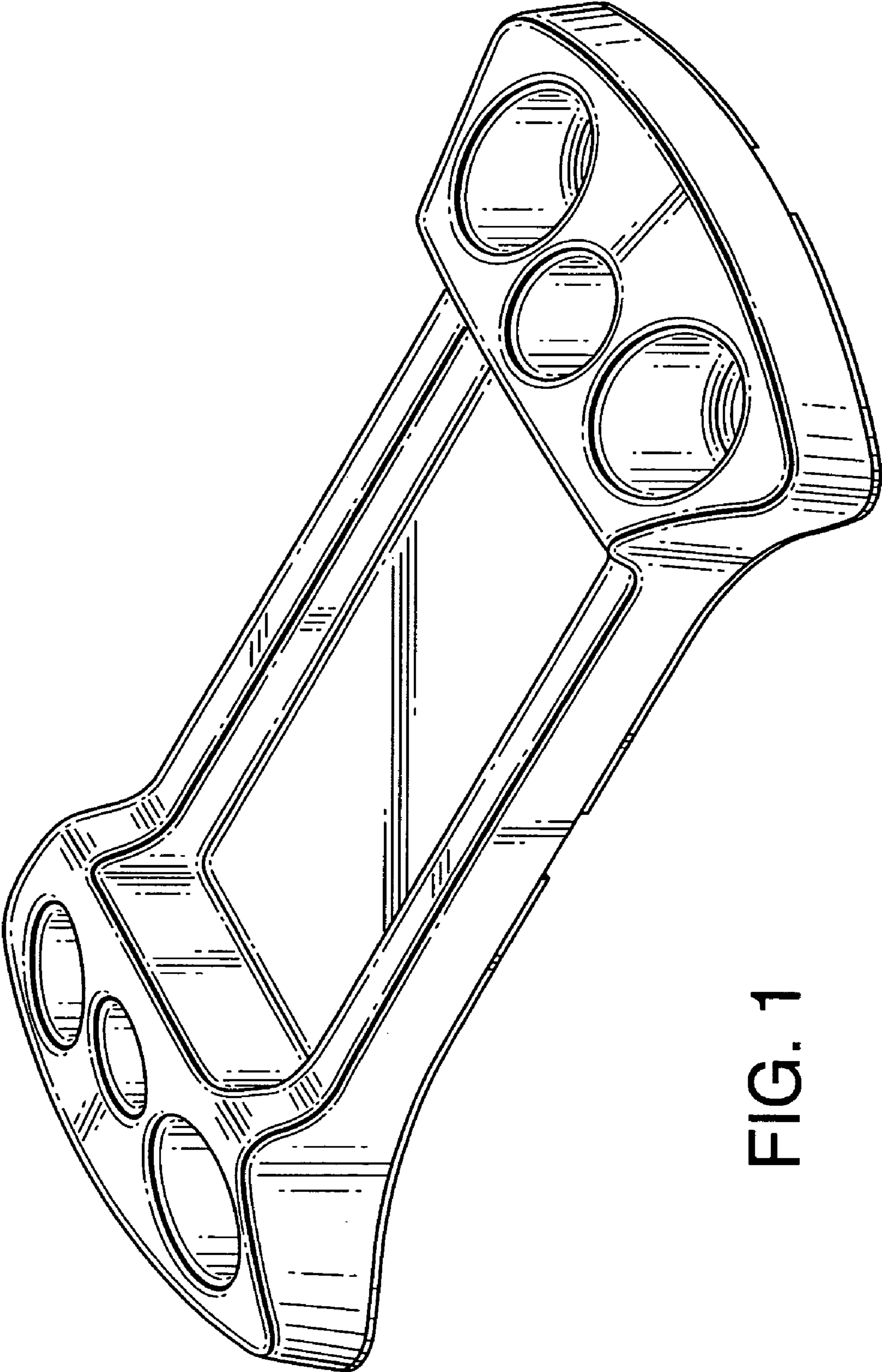


FIG. 1

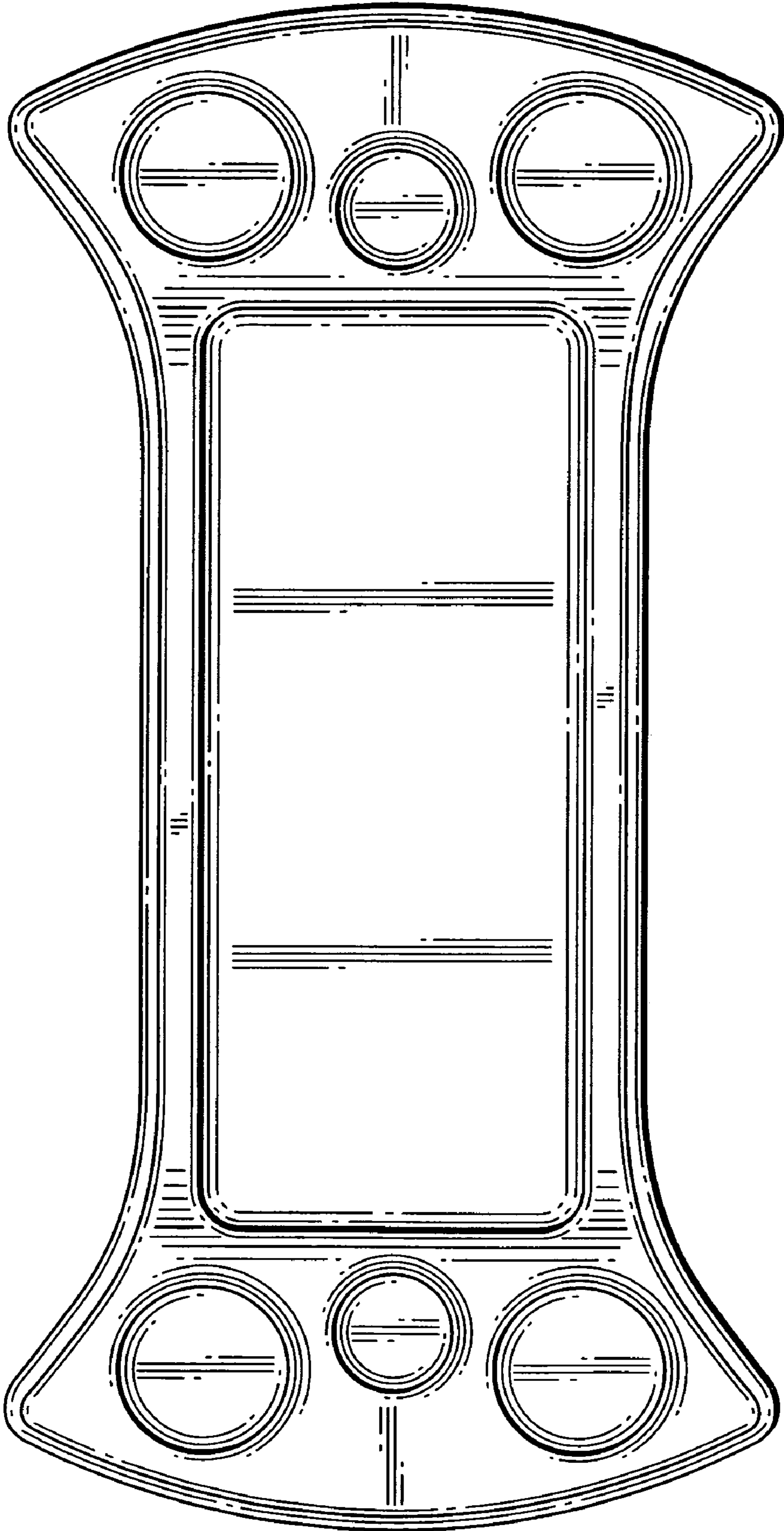


FIG. 2

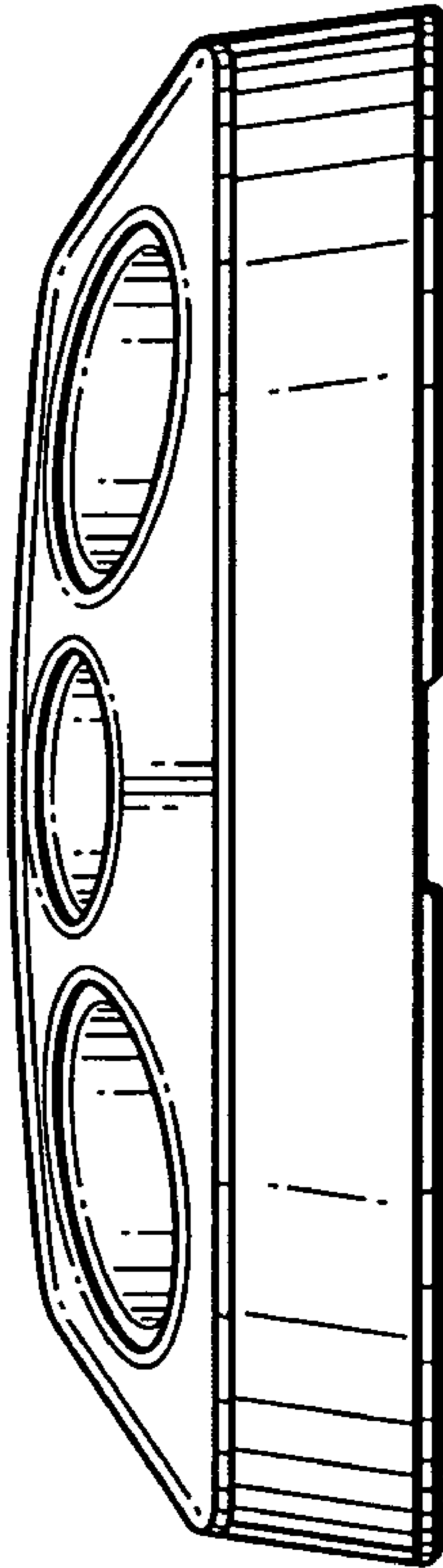


FIG. 3

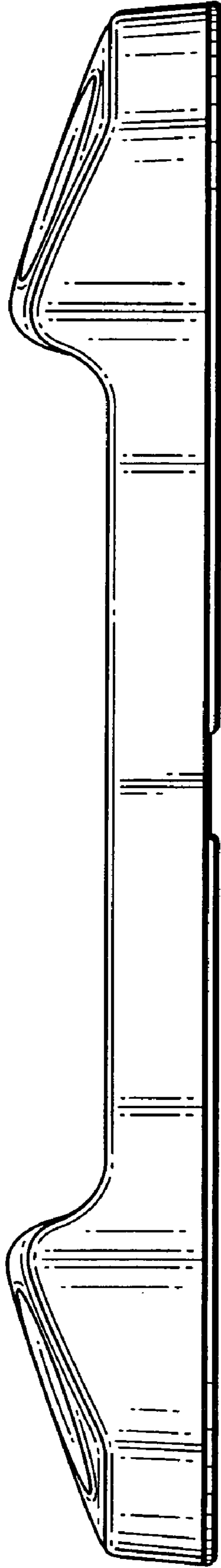


FIG. 4

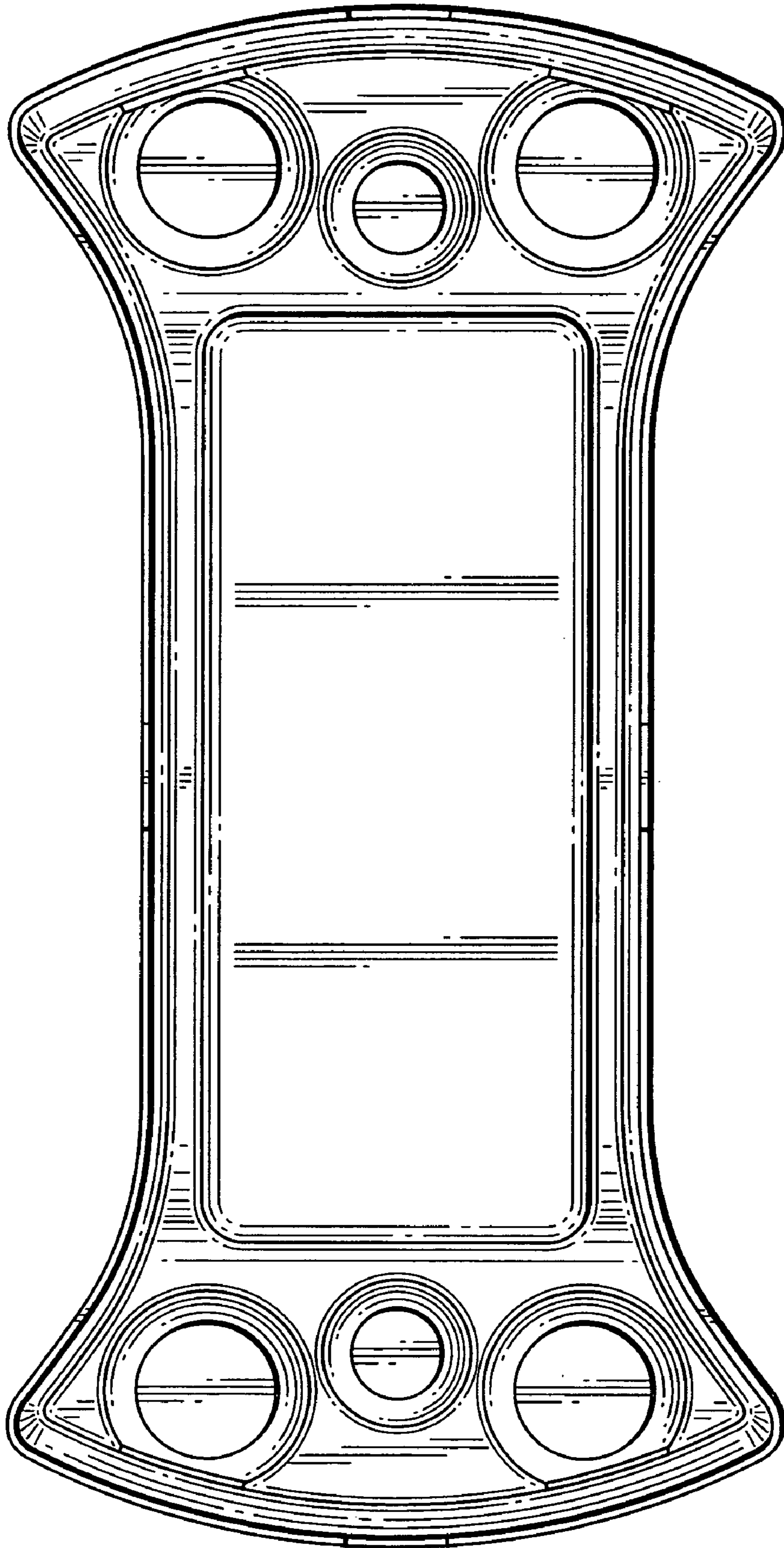


FIG. 5

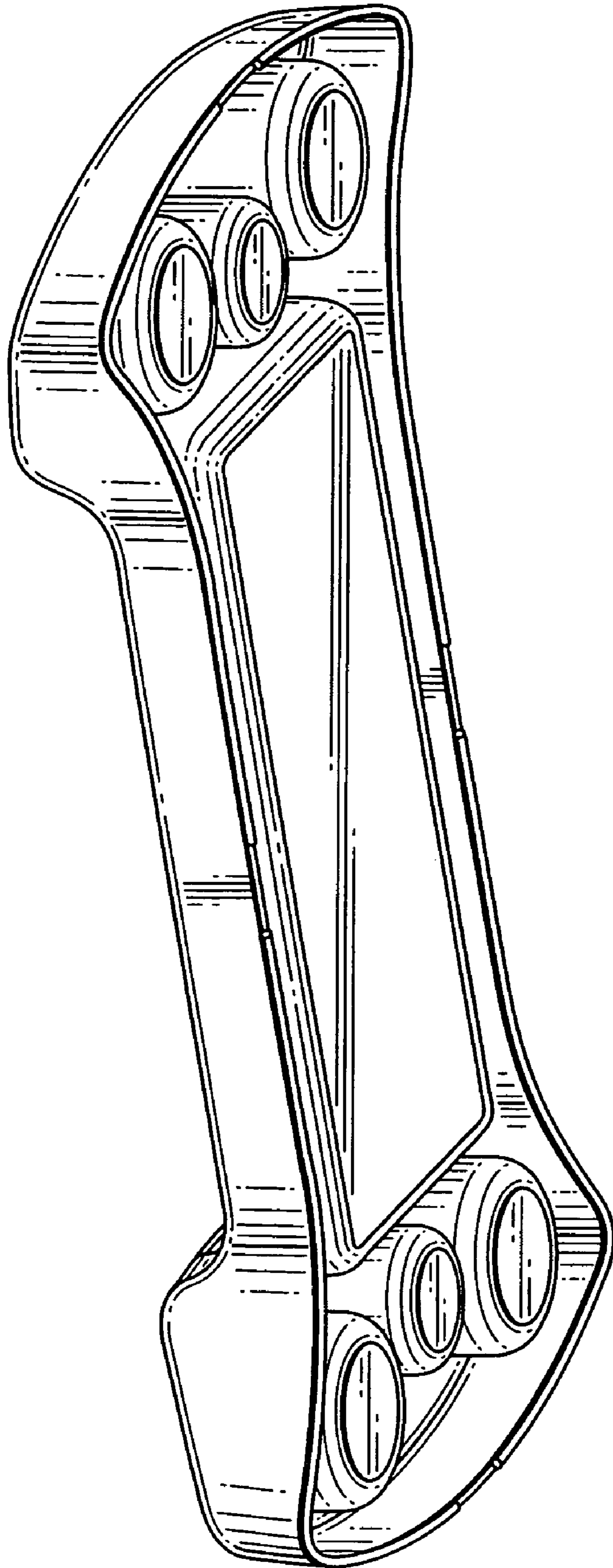


FIG. 6