

US00D567541S

(12) **United States Design Patent**
Bermea

(10) **Patent No.:** **US D567,541 S**

(45) **Date of Patent:** **** Apr. 29, 2008**

(54) **GUITAR STAND**

D410,804 S * 6/1999 Murray D6/455
6,540,182 B1 * 4/2003 Wilfer 248/121

(76) Inventor: **James R. Bermea**, 44 S. 7th St., #5,
San Jose, CA (US) 95112

* cited by examiner

(**) Term: **14 Years**

Primary Examiner—Caron D. Veynar

Assistant Examiner—Sydney R. Buffalow

(21) Appl. No.: **29/267,280**

(74) *Attorney, Agent, or Firm*—Schneck & Schneck; David
M. Schneck

(22) Filed: **Oct. 11, 2006**

(57) **CLAIM**

(51) **LOC (8) Cl.** **06-04**

The ornamental design for a guitar stand, as shown.

(52) **U.S. Cl.** **D6/466**

(58) **Field of Classification Search** D6/466,
D6/300, 467, 449, 397, 317, 320, 321, 323,
D6/455, 405, 411, 412; 248/121, 150, 166,
248/443, 483; 211/1, 85.6, 124, 33, 85.3,
211/205, 60.1, 163, 194

DESCRIPTION

See application file for complete search history.

FIG. 1 is a front view of my new design.

FIG. 2 is a rear view thereof.

FIG. 3 is a right side view thereof.

FIG. 4 is a left side view thereof.

FIG. 5 is a top view thereof.

FIG. 6 is a bottom view thereof; and,

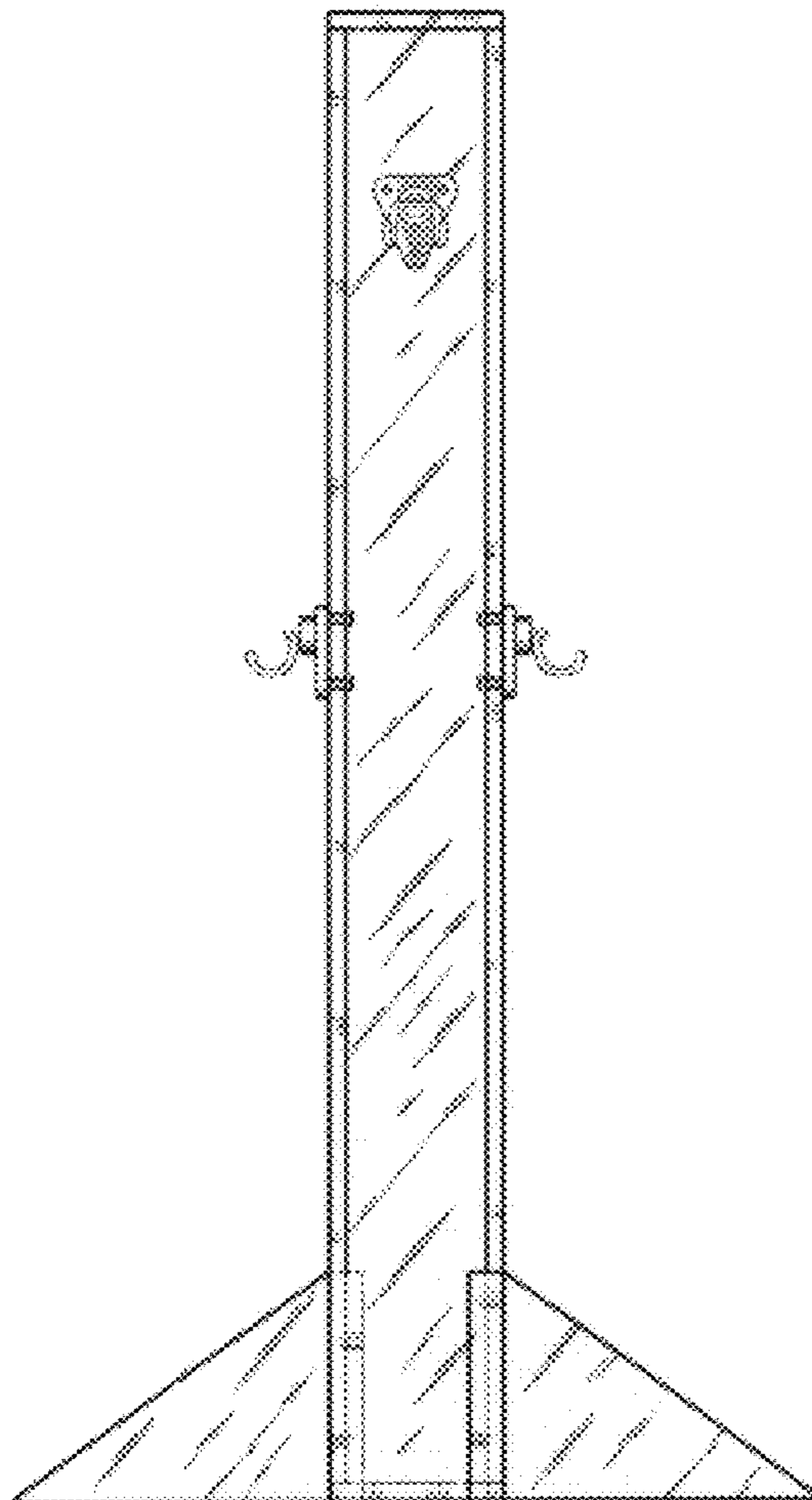
FIG. 7 is a perspective view thereof.

(56) **References Cited**

U.S. PATENT DOCUMENTS

1,441,868 A * 1/1923 Martin 211/1
D239,744 S * 5/1976 Bucknam D6/415
D249,004 S * 8/1978 Crouse D6/405

1 Claim, 4 Drawing Sheets



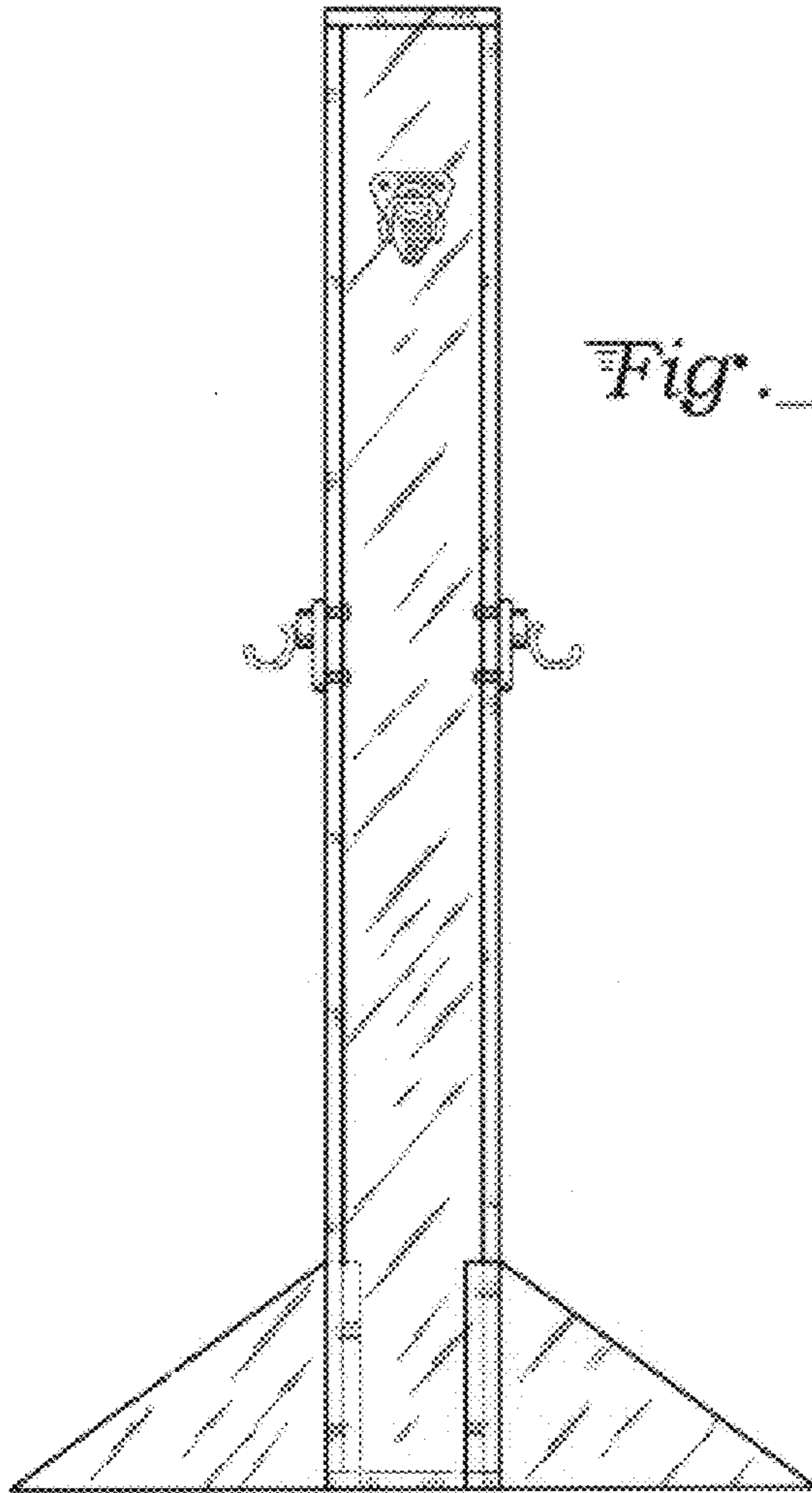


Fig. 1

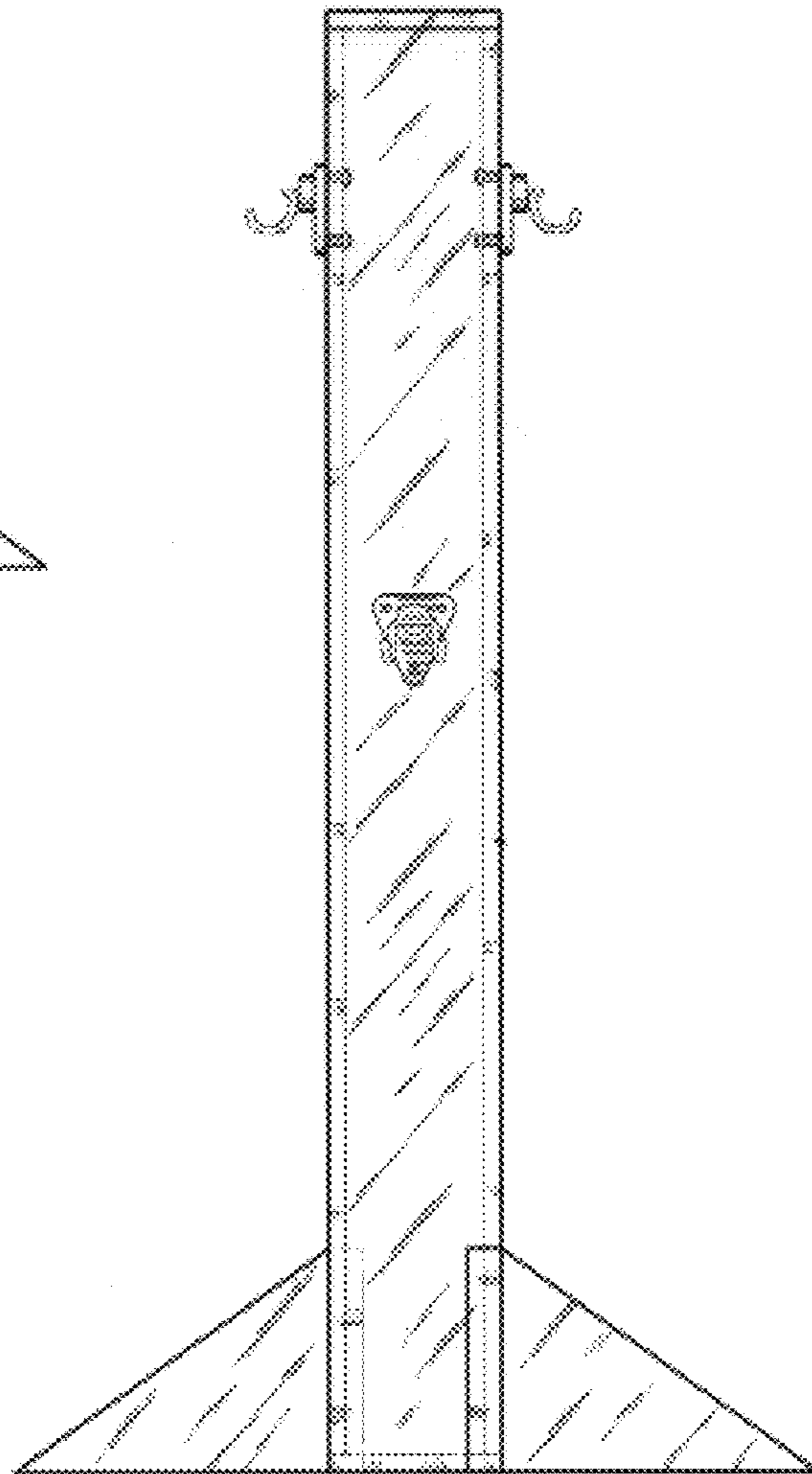


Fig. 2

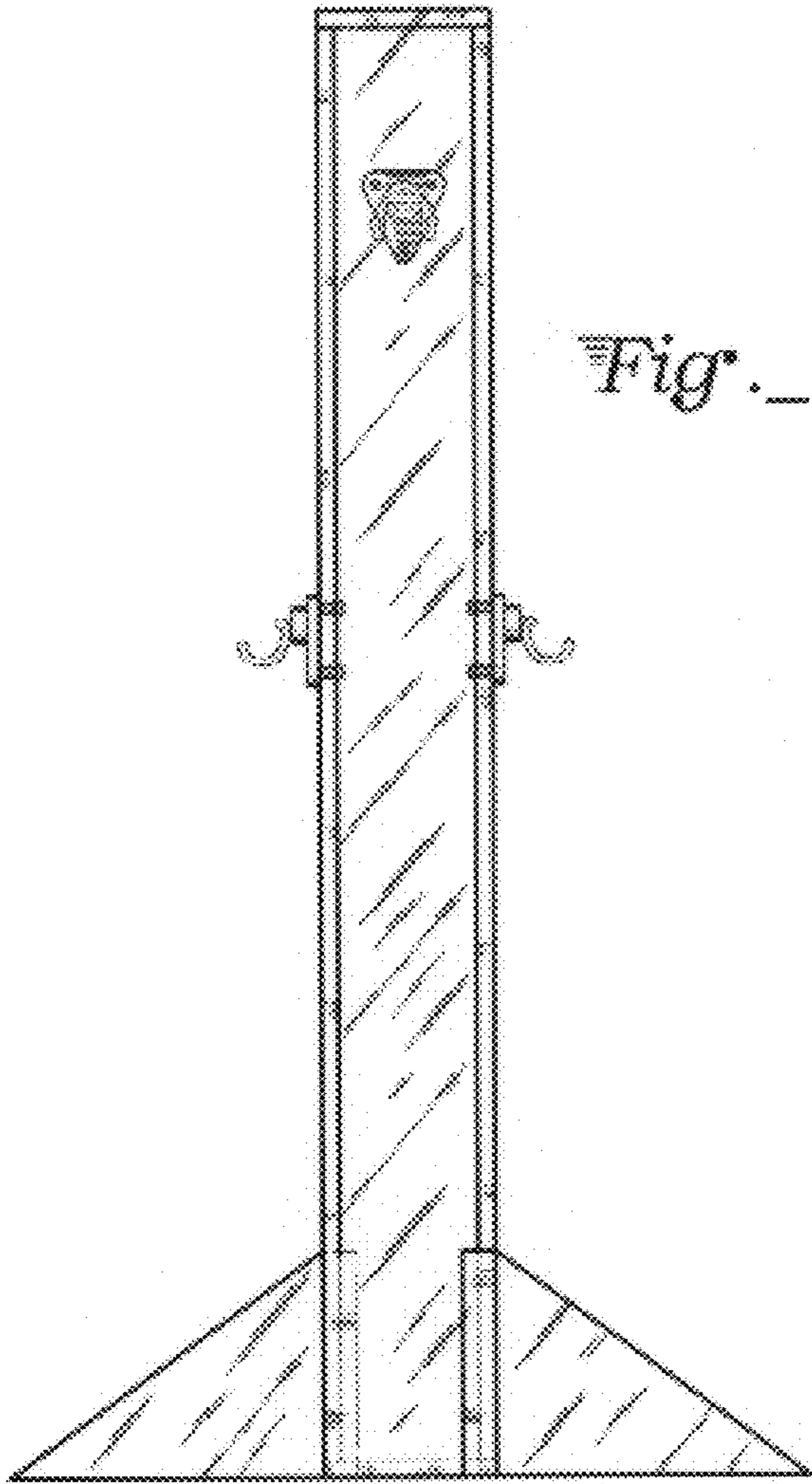


Fig. 3

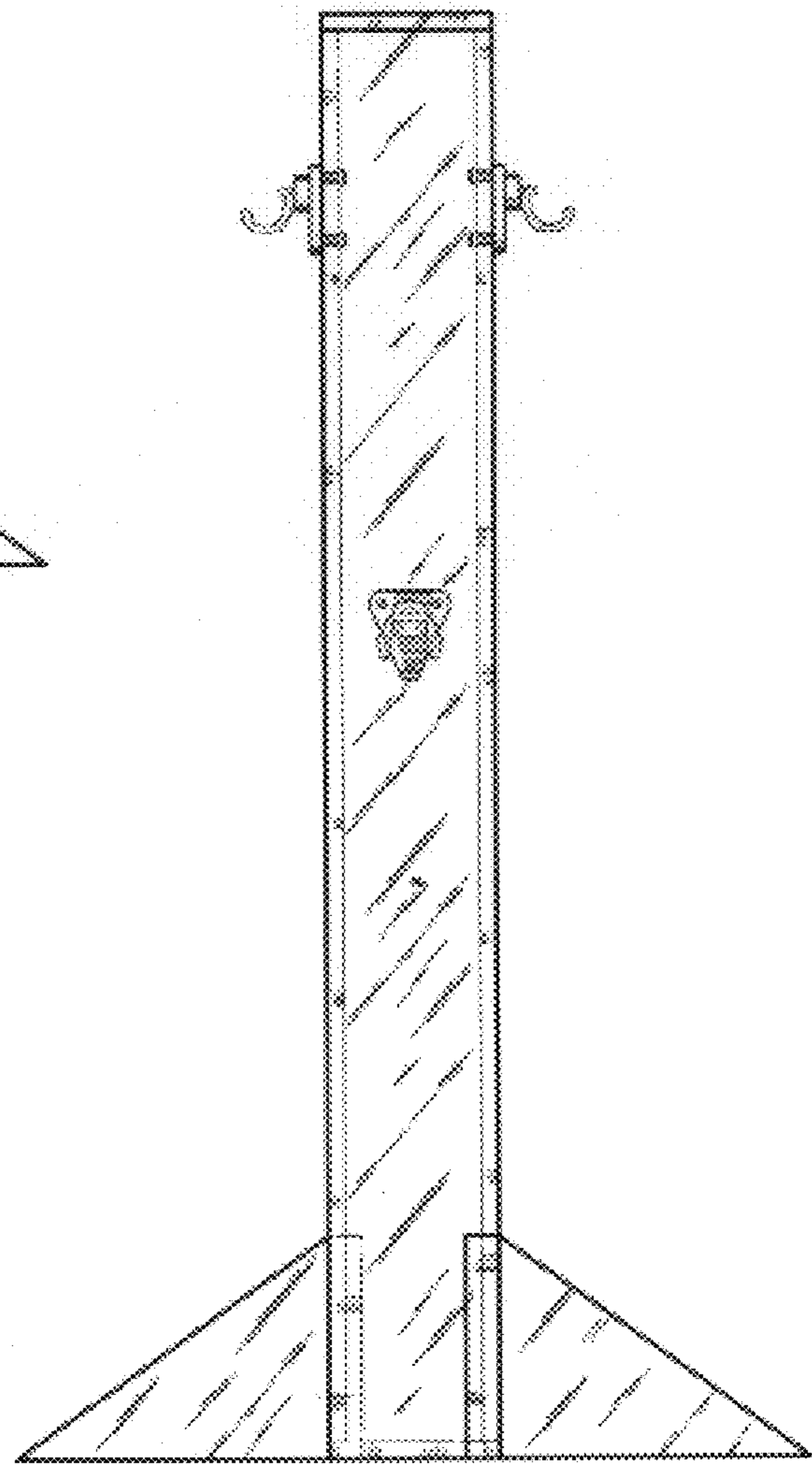


Fig. 4

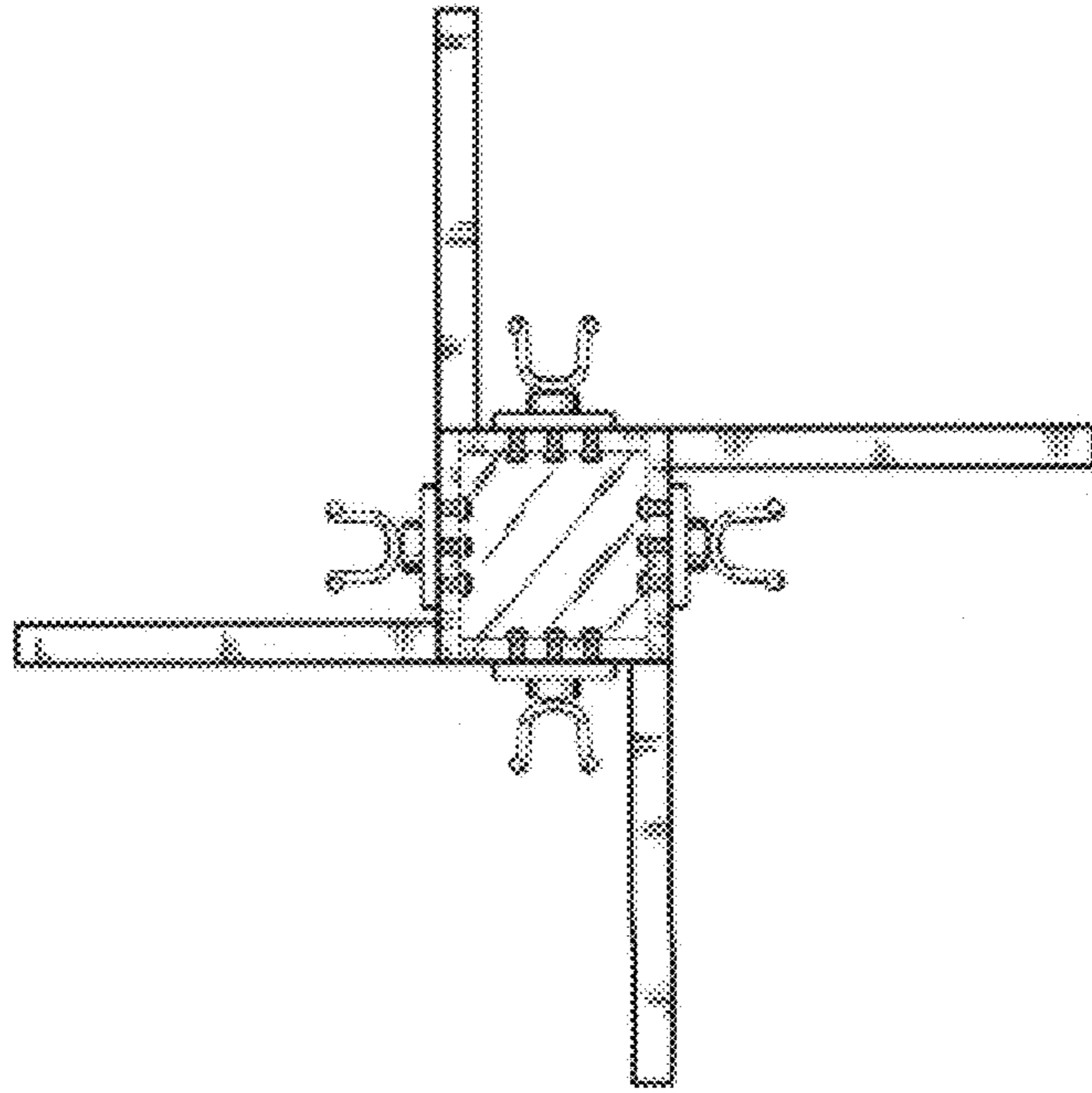


Fig. 5

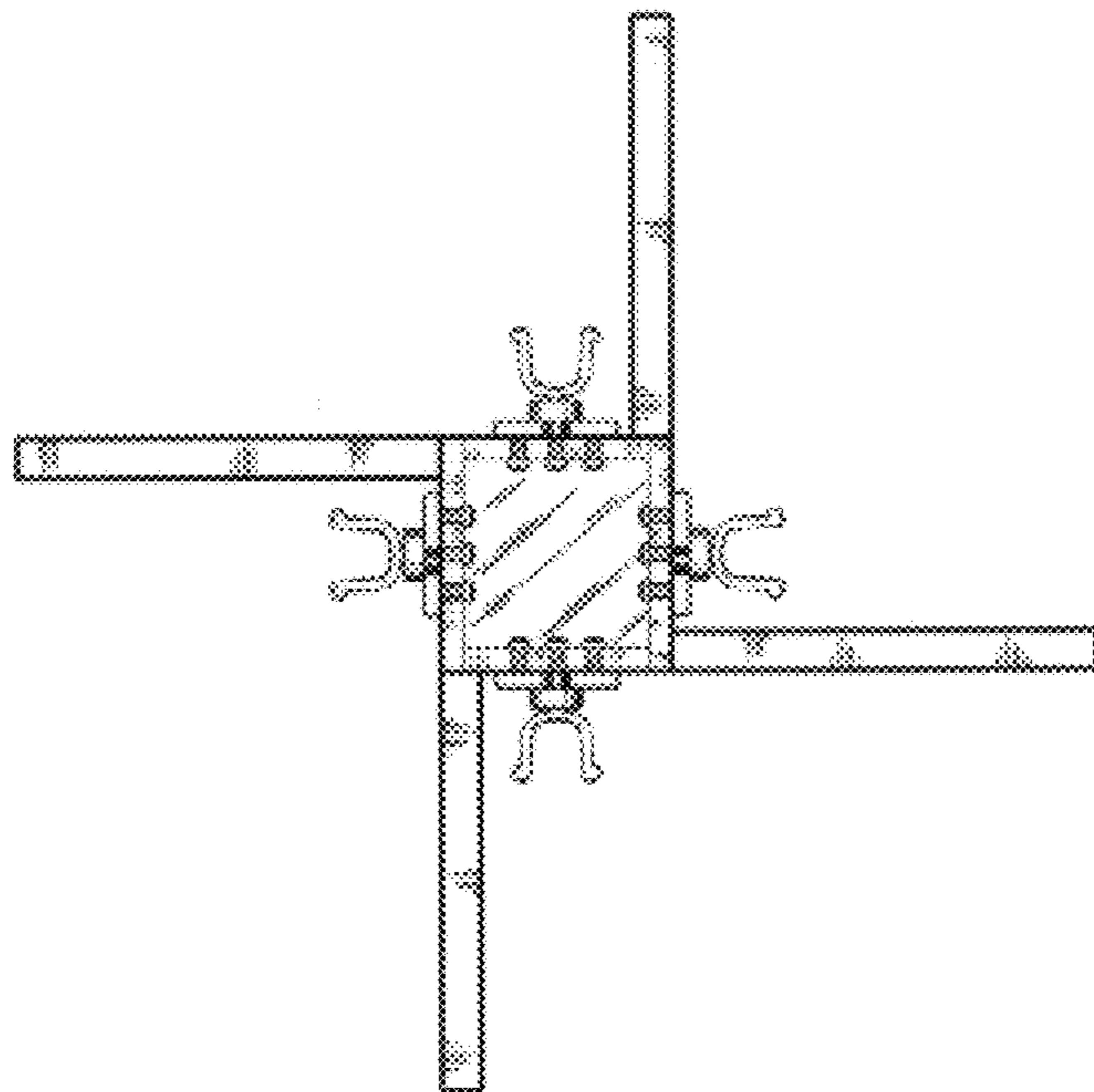


Fig. 6

