



US00D567539S

(12) **United States Design Patent**  
**Teachey et al.**

(10) **Patent No.: US D567,539 S**

(45) **Date of Patent: \*\* Apr. 29, 2008**

(54) **DISPLAY CABINET**

(75) Inventors: **Norwood Teachey**, Fairfield, IA (US);  
**Joni Johnston**, Fairfield, IA (US); **Hal Reed**,  
Fairfield, IA (US); **Scott Reid**, Fairfield, IA (US);  
**David Weller**, Fairfield, IA (US)

(73) Assignee: **Harper Bush Works, Inc.**, Fairfield, IL (US)

(\*\*) Term: **14 Years**

(21) Appl. No.: **29/271,935**

(22) Filed: **Jan. 30, 2007**

(51) **LOC (8) Cl.** ..... **06-04**

(52) **U.S. Cl.** ..... **D6/449; D6/467**

(58) **Field of Classification Search** ..... D6/449,  
D6/467, 409-415, 455-458, 461-462, 464-466,  
D6/468, 474, 476; 211/13.1, 85.1, 85.2,  
211/85.3, 85.4, 85.5, 30, 90.01, 134, 64, 60.1,  
211/68, 70.8; 248/206; 312/114

See application file for complete search history.

(56) **References Cited**

U.S. PATENT DOCUMENTS

D103,144 S \* 2/1937 Beardsley et al. .... D6/467  
D162,207 S \* 2/1951 Mettenleiter ..... D6/467

D202,485 S \* 10/1965 Fletcher ..... D6/462  
3,407,939 A \* 10/1968 Villar-Kelly ..... 211/90.01  
D353,285 S \* 12/1994 Spirk et al. .... D6/467  
D358,280 S \* 5/1995 LaFontaine ..... D6/467  
D436,263 S \* 1/2001 Alcala et al. .... D6/414  
D464,215 S \* 10/2002 Patchen ..... D6/467

\* cited by examiner

*Primary Examiner*—Caron D. Veynar

*Assistant Examiner*—Sydney R Buffalow

(74) *Attorney, Agent, or Firm*—Welsh & Katz Ltd; Gerald T. Shekleton

(57) **CLAIM**

The ornamental design for a display cabinet, as shown and described.

**DESCRIPTION**

FIG. 1 is a perspective view of the display cabinet of the subject invention.

FIG. 2 is a front view of the display cabinet of FIG. 1.

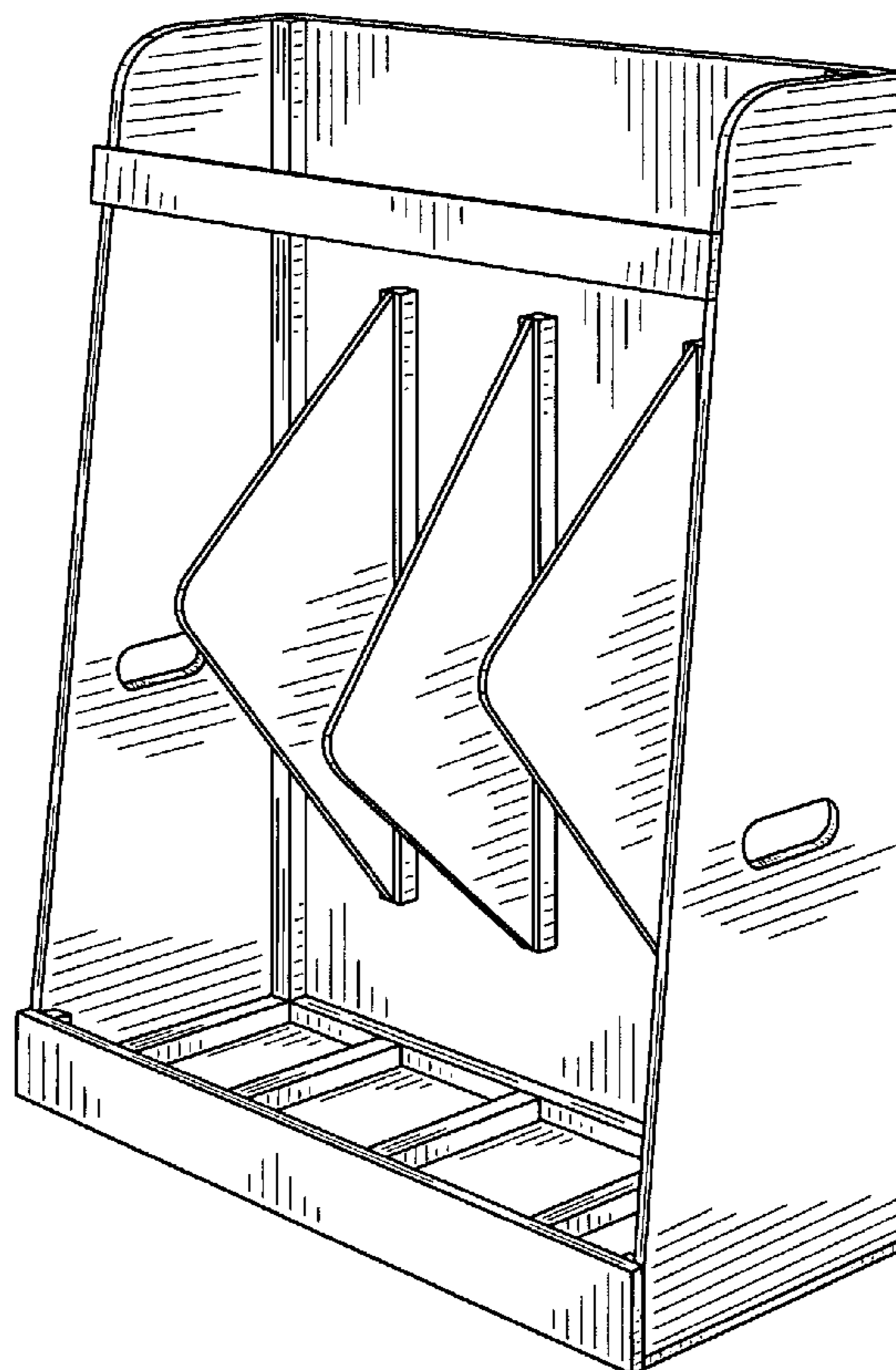
FIG. 3 is a rear view of the display cabinet of FIG. 1.

FIG. 4 is a right side view of the display cabinet of FIG. 1, the opposite side being a mirror image thereof.

FIG. 5 is a top view of the display cabinet of FIG. 1; and,

FIG. 6 is a bottom view of the display cabinet of FIG. 1.

**1 Claim, 3 Drawing Sheets**



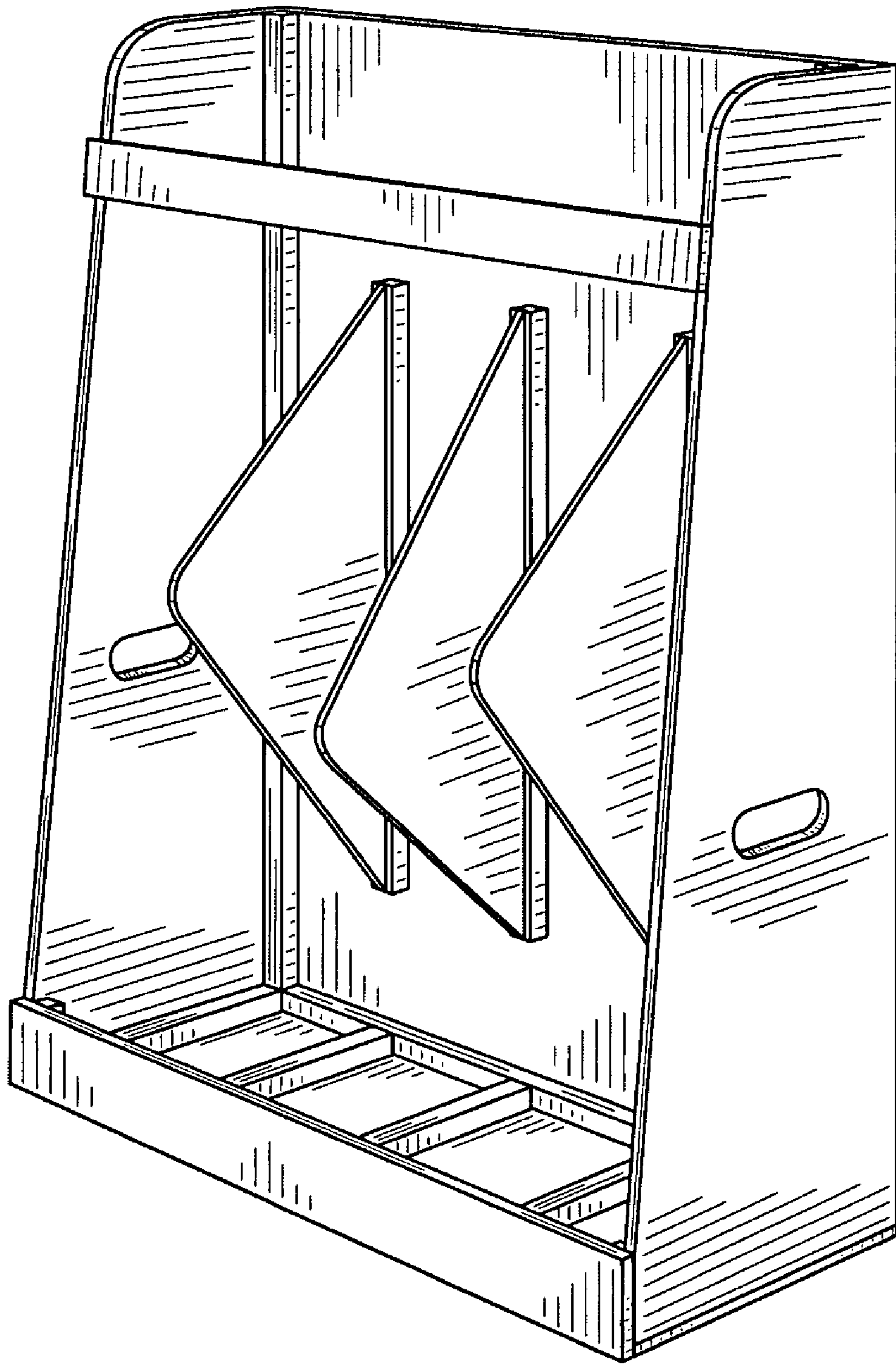


FIG. 1

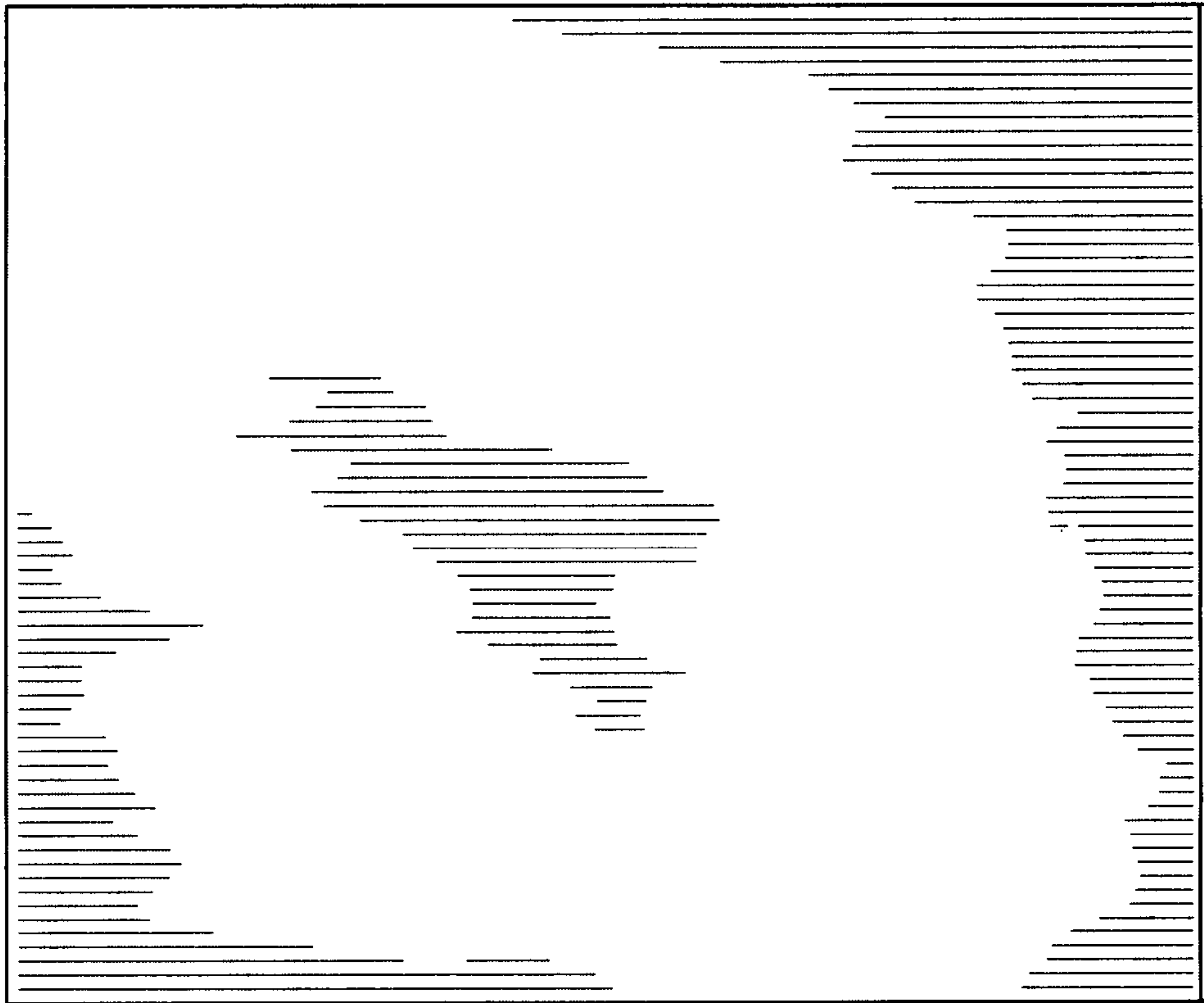


FIG. 3

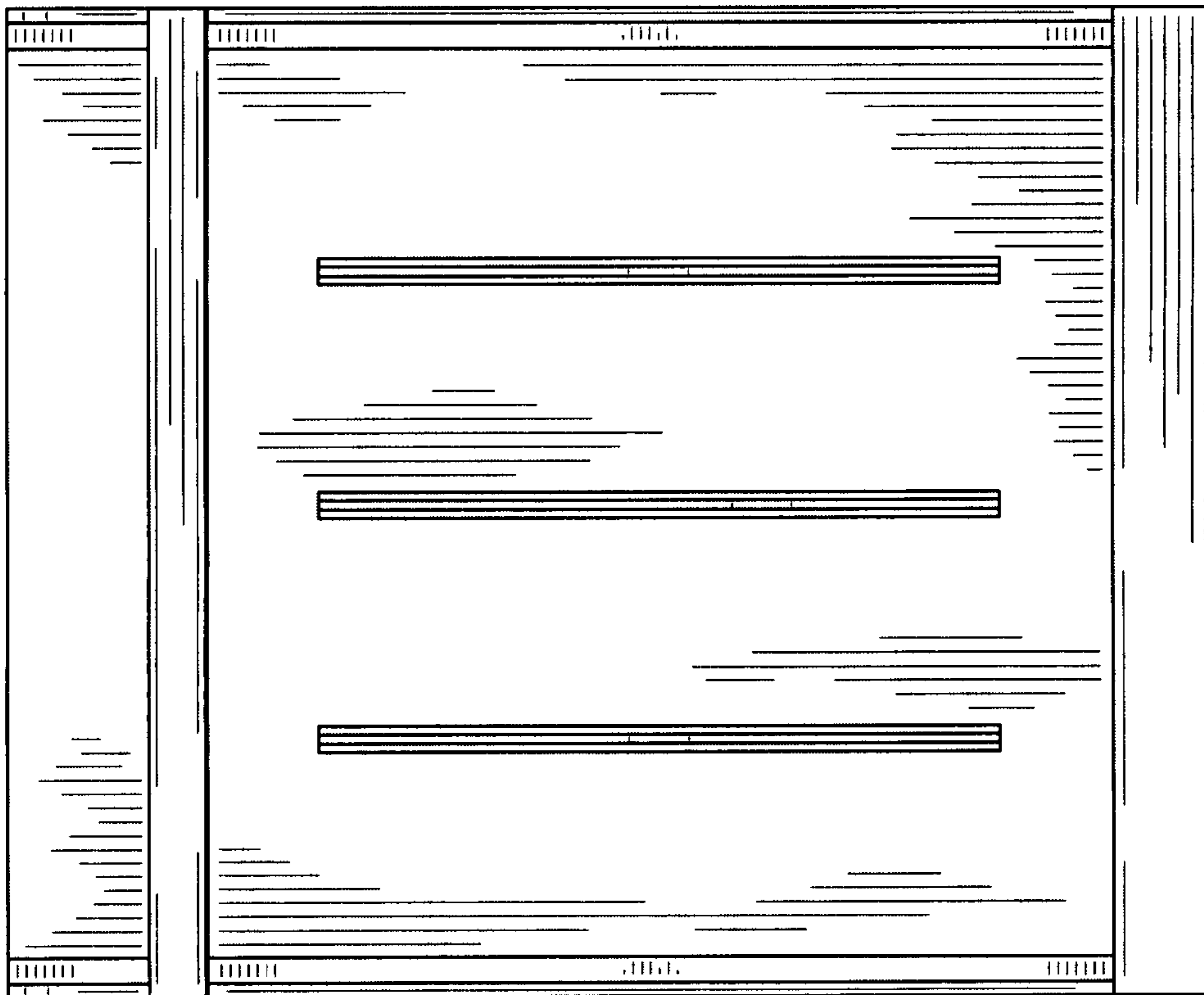


FIG. 2

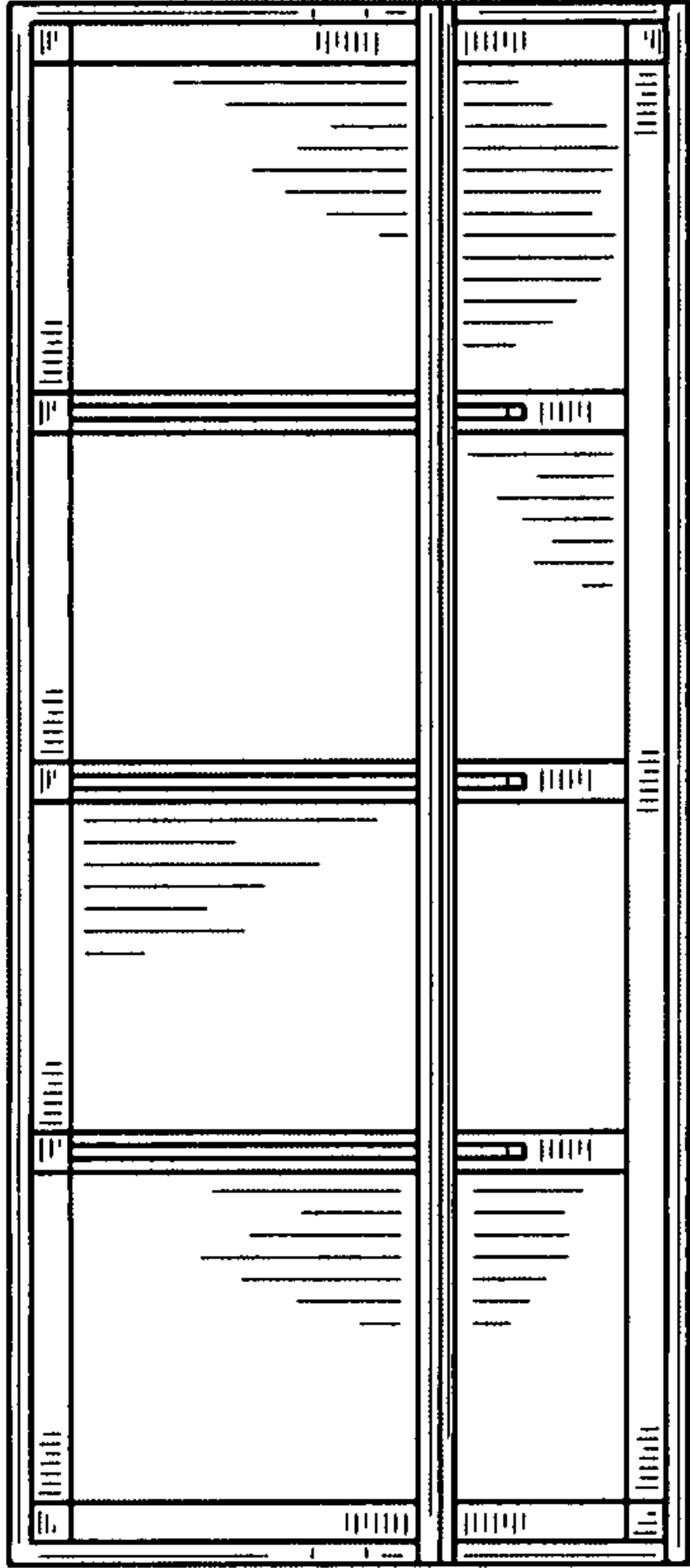


FIG. 5

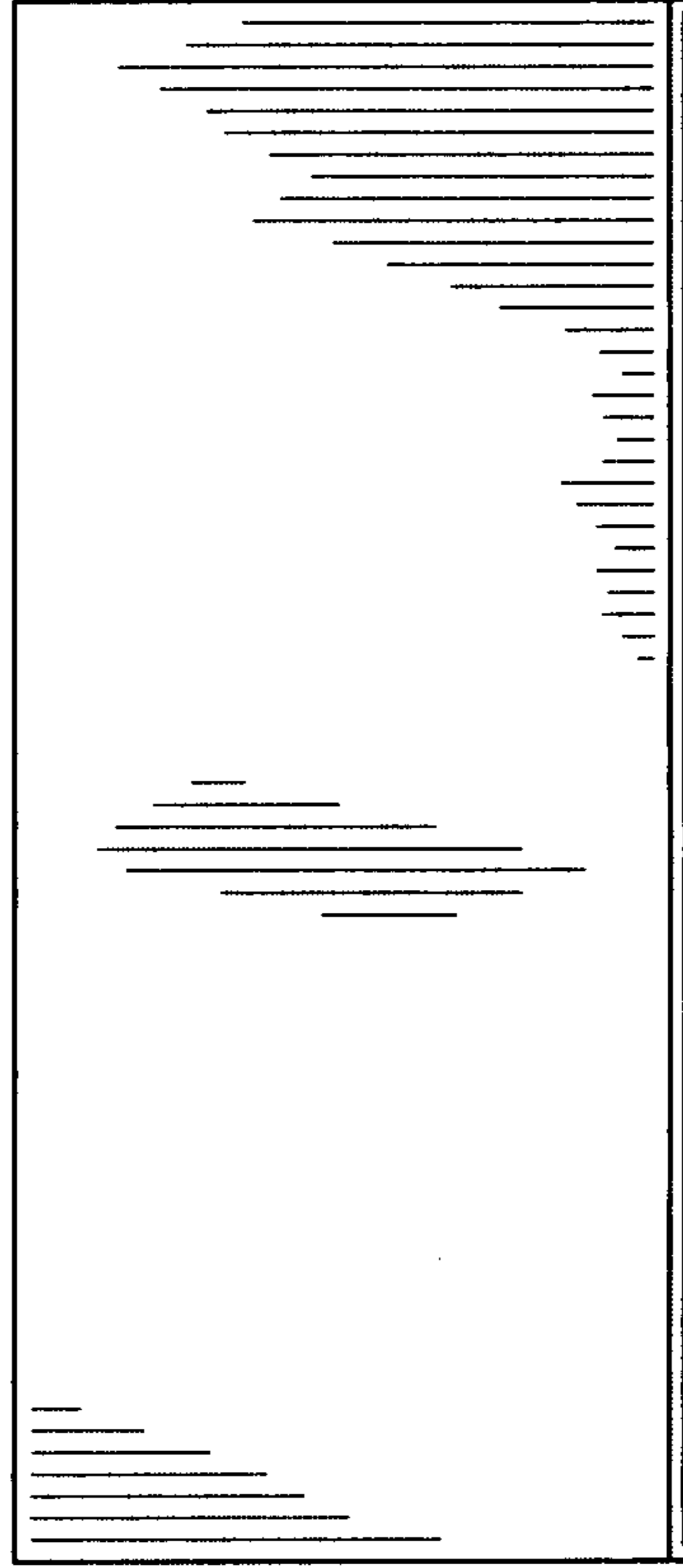


FIG. 6

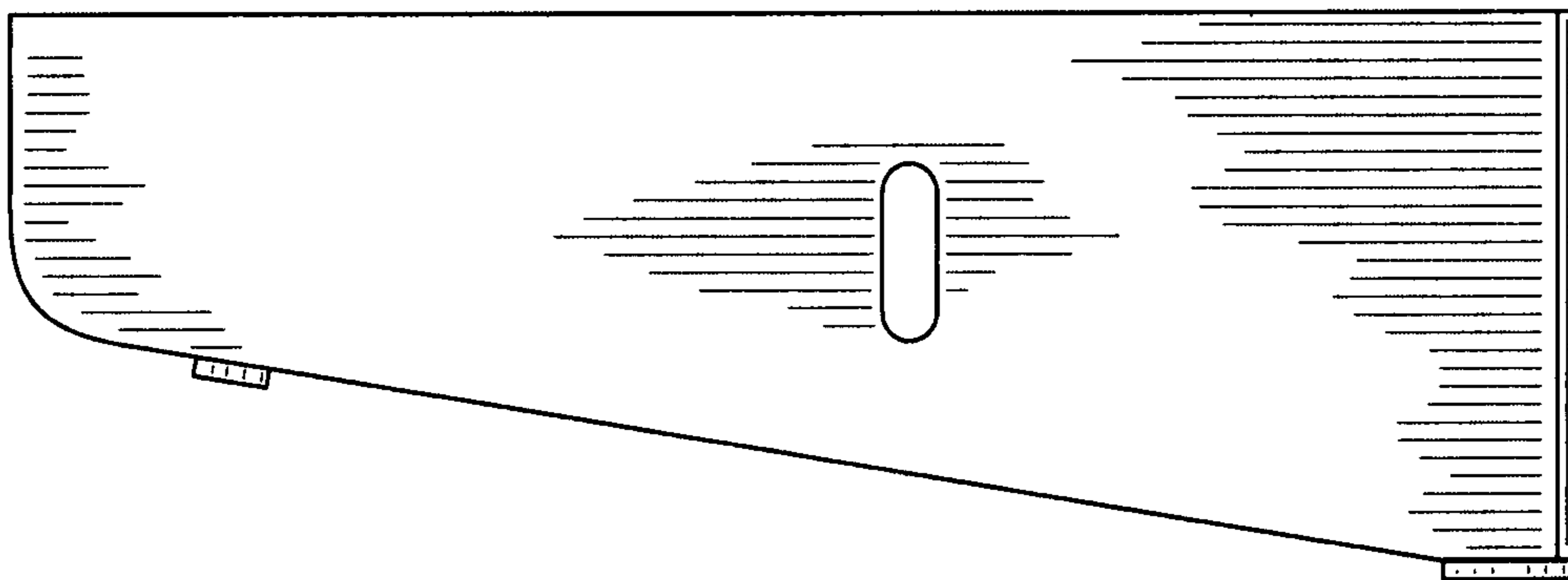


FIG. 4