



US00D567533S

(12) **United States Design Patent**  
**Kirtz et al.**

(10) **Patent No.:** **US D567,533 S**

(45) **Date of Patent:** **\*\* Apr. 29, 2008**

(54) **HUB FOR HOLDING MEDIA DISC**

(75) Inventors: **Kevin Kirtz**, Massillon, OH (US);  
**Jesse D. Wells**, Canton, OH (US)

(73) Assignee: **Nexpak Corporation**, Duluth, GA (US)

(\*\*) Term: **14 Years**

(21) Appl. No.: **29/279,297**

(22) Filed: **Apr. 25, 2007**

**Related U.S. Application Data**

(62) Division of application No. 29/251,191, filed on Jan. 3, 2006, now Pat. No. Des. 551,877.

(51) **LOC (8) Cl.** ..... **06-01**

(52) **U.S. Cl.** ..... **D6/407**

(58) **Field of Classification Search** ..... D6/407,  
D6/626-635; D3/273, 294, 295, 299-301,  
D3/303; 206/209, 310-313, 751; 211/40,  
211/41.1, 41.12; D9/420

See application file for complete search history.

(56) **References Cited**

**U.S. PATENT DOCUMENTS**

5,944,181	A *	8/1999	Lau	.....	206/308.1
D437,520	S *	2/2001	Choi	.....	D6/632
D439,435	S *	3/2001	Belden et al.	.....	D6/407
D452,105	S *	12/2001	Chan	.....	D6/635
D465,960	S *	11/2002	Yau	.....	D6/632

D466,718	S *	12/2002	Abeyta et al.	.....	D6/407
D480,891	S *	10/2003	Hiramatsu	.....	D6/407
6,681,930	B1 *	1/2004	Yang	.....	206/310
D493,661	S *	8/2004	Yau	.....	D6/635
6,932,215	B1 *	8/2005	Chang	.....	206/308.1
D532,989	S *	12/2006	Wells	.....	D6/407
D551,877	S *	10/2007	Kirtz et al.	.....	D6/407

\* cited by examiner

*Primary Examiner*—Ian Simmons

*Assistant Examiner*—Charles D Hanson

(74) *Attorney, Agent, or Firm*—Zollinger & Burleson Ltd.

(57) **CLAIM**

The ornamental design for a hub for holding media disc, as shown and described.

**DESCRIPTION**

FIG. 1 is a perspective view of a hub for holding media disc showing our new design;

FIG. 2 is a top plan view thereof;

FIG. 3 is a front elevation view thereof;

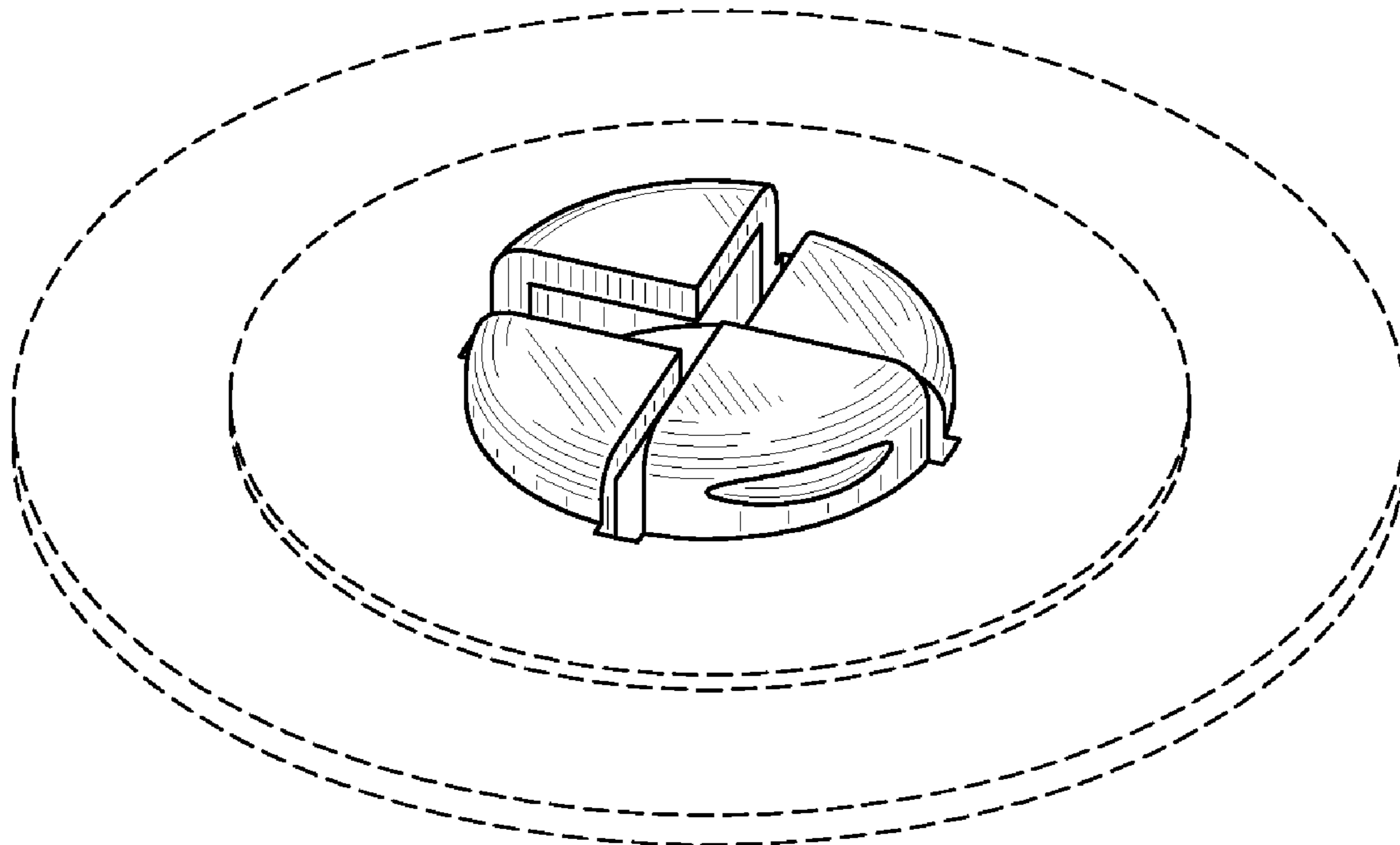
FIG. 4 is a rear view thereof;

FIG. 5 is a right side view thereof; and,

FIG. 6 is a left side view thereof.

The broken line showing is included for the purpose of illustrating environmental structure and forms no part of the claimed design.

**1 Claim, 4 Drawing Sheets**



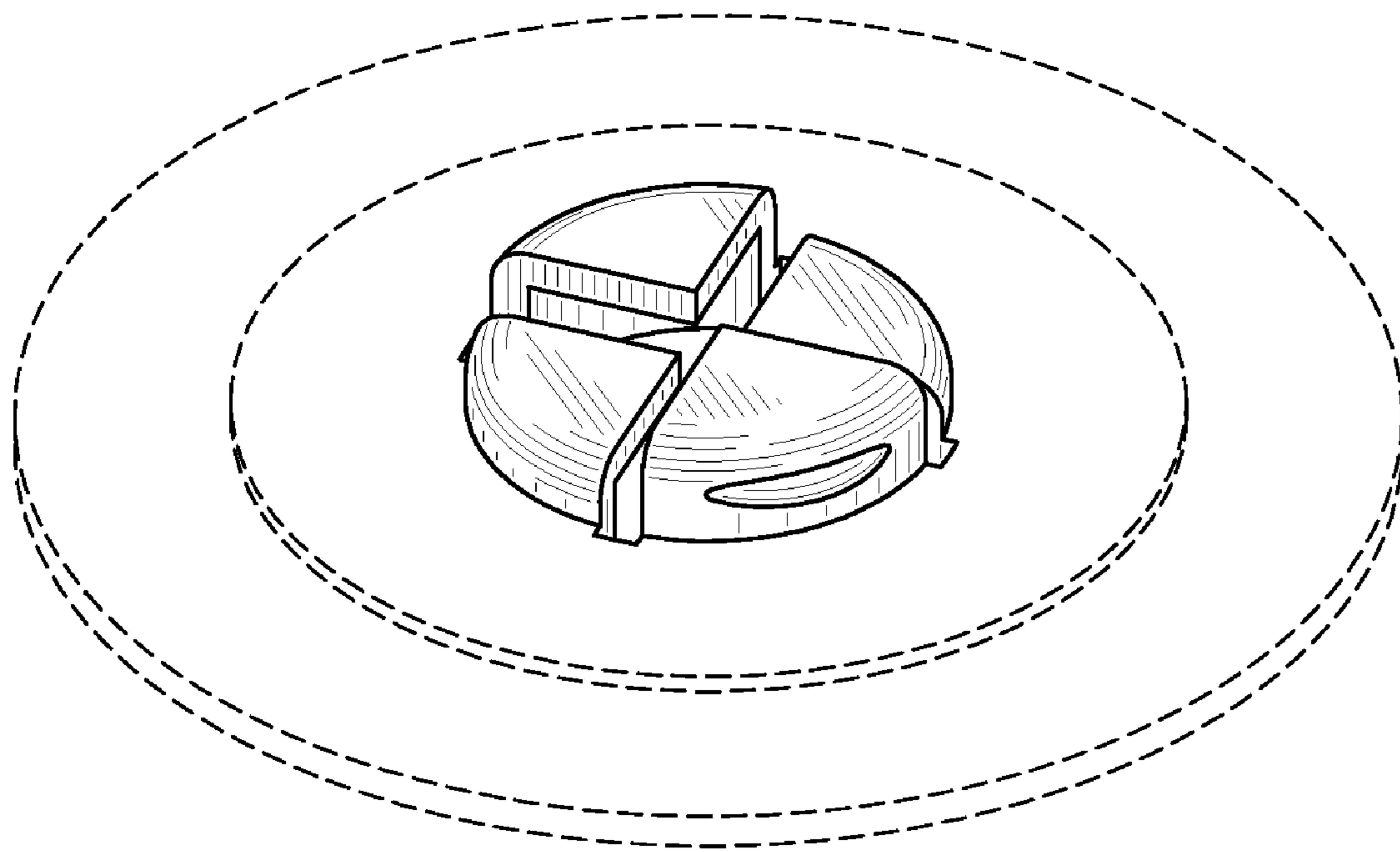


FIG. 1

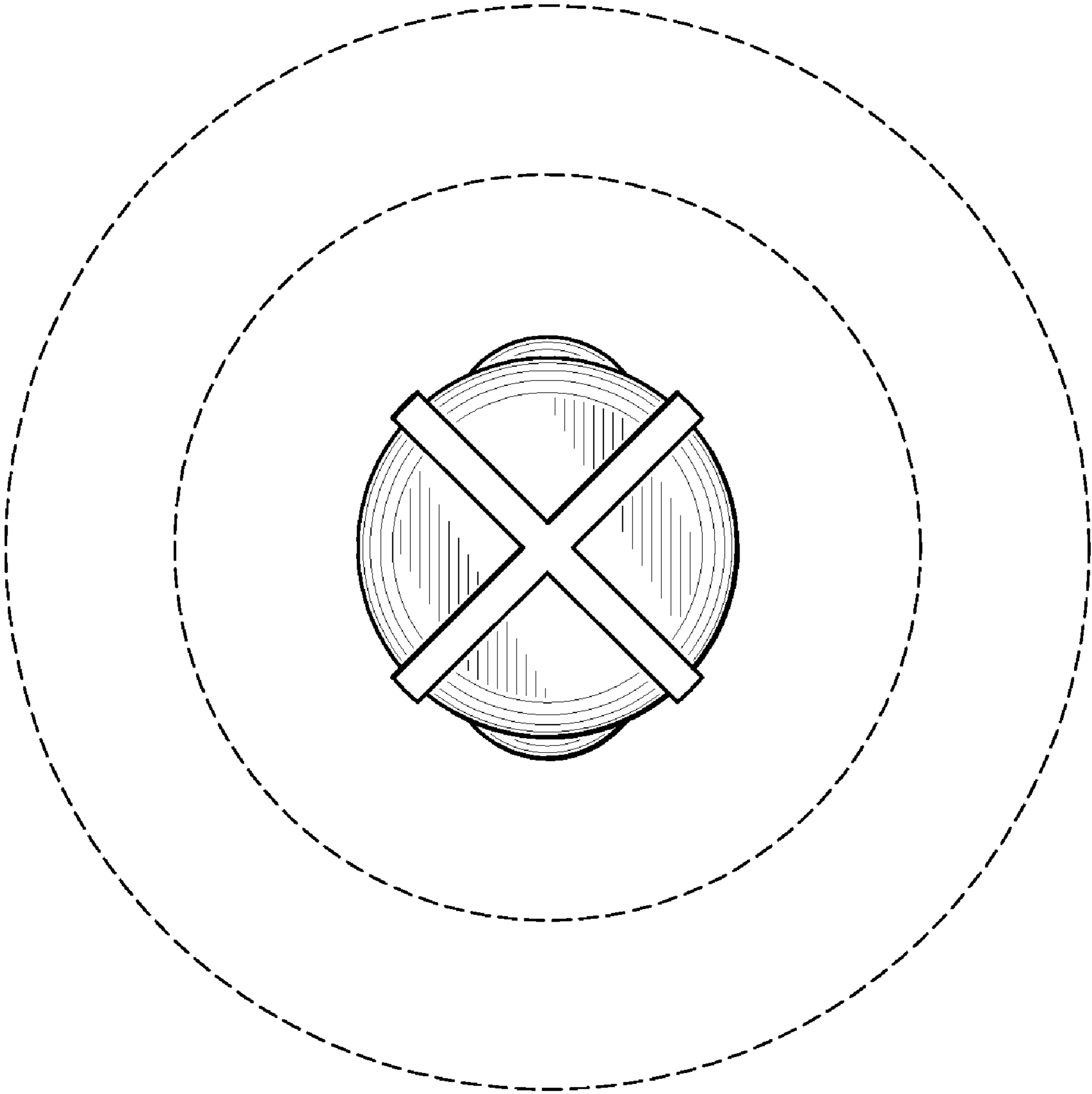


FIG. 2

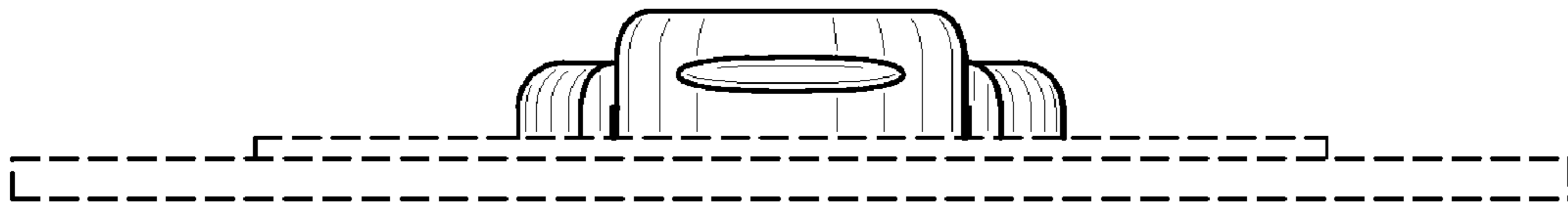


FIG. 3

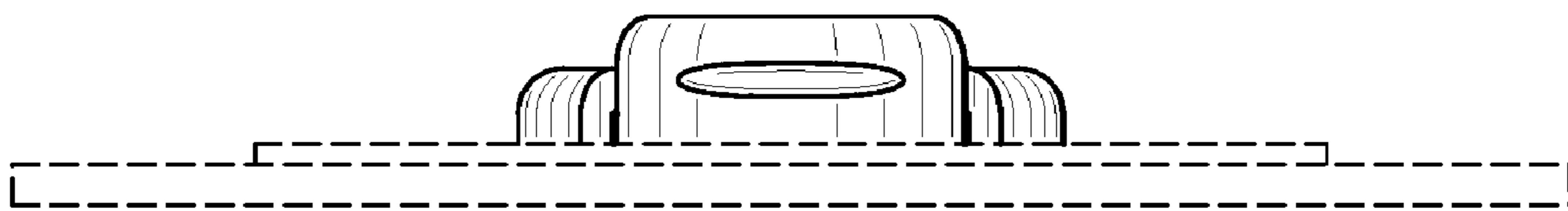


FIG. 4

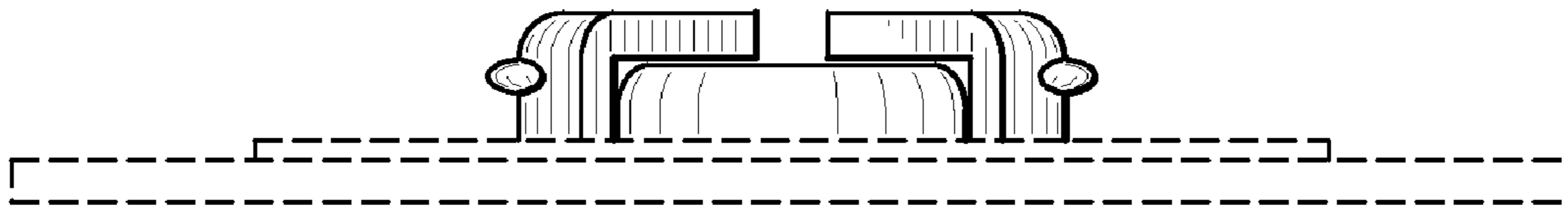


FIG. 5

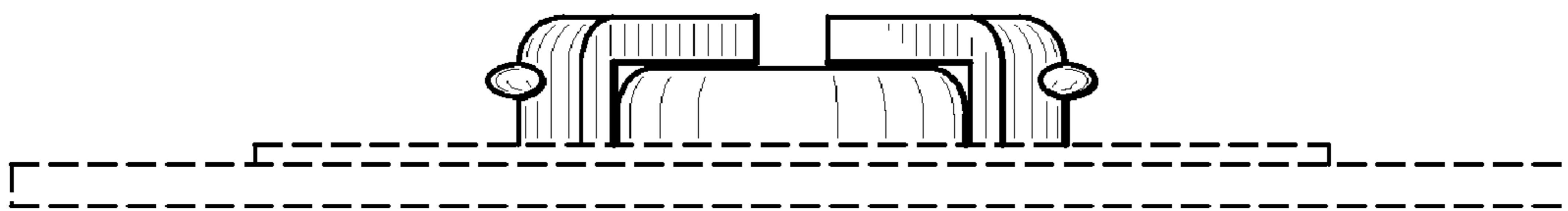


FIG. 6