



US00D567526S

(12) **United States Design Patent** (10) **Patent No.:** **US D567,526 S**  
**Williams et al.** (45) **Date of Patent:** **\*\* Apr. 29, 2008**

- (54) **FURNITURE SYSTEM**
- (75) Inventors: **Otto N. Williams**, San Francisco, CA (US); **Jess A. Sorel**, Oakland, CA (US); **Joe A. Nobles**, San Francisco, CA (US)
- (73) Assignee: **Steelcase Inc.**, Grand Rapids, MI (US)
- (\*\*) Term: **14 Years**
- (21) Appl. No.: **29/283,769**
- (22) Filed: **Aug. 23, 2007**

- 4,641,837 A 2/1987 Ruth  
5,154,473 A 10/1992 Joranco  
5,203,363 A 4/1993 Kidwell et al.  
5,342,114 A 8/1994 Burke et al.  
D360,310 S 7/1995 Stamberg et al.  
5,765,315 A 6/1998 Nagamitsu et al.  
D402,478 S 12/1998 Escobar et al.  
5,873,625 A 2/1999 Uchtman  
6,122,865 A 9/2000 Branc et al.  
6,209,266 B1 4/2001 Branc et al.  
D443,989 S 6/2001 Gomez  
D448,196 S 9/2001 Gomez  
D455,282 S 4/2002 Andersen et al.  
D461,328 S 8/2002 Natuzzi et al.  
6,427,389 B1 8/2002 Branc et al.  
6,447,067 B1 9/2002 Williams et al.  
D476,819 S 7/2003 Williams et al.

**Related U.S. Application Data**

- (62) Division of application No. 29/195,352, filed on Dec. 10, 2003, now Pat. No. Des. 553,867.

- (51) **LOC (8) Cl.** ..... **06-01**
- (52) **U.S. Cl.** ..... **D6/381**
- (58) **Field of Classification Search** ..... D6/334, D6/335, 337, 341, 349, 353, 354, 377, 367-369, D6/381, 383, 492, 500-502; 5/12.1, 12.2; 297/16.1, 232, 16.2, 245, 283.2, 353, 354.1, 297/445.1, 448.1

See application file for complete search history.

**References Cited**

- (56) **U.S. PATENT DOCUMENTS**
- 1,923,517 A 3/1933 Swanniger  
D169,911 S 6/1953 Netzer  
D170,122 S \* 8/1953 Jorgensen ..... D6/381  
D170,190 S 8/1953 Glass  
D175,877 S 10/1955 Bartolucci  
D188,489 S 8/1960 Otto  
2,985,892 A 5/1961 Garrigus et al.  
3,110,909 A 11/1963 Bendell  
D230,918 S 3/1974 Andrus  
3,826,533 A 7/1974 Andrus et al.  
3,869,992 A 3/1975 Kramer  
4,084,849 A 4/1978 Ishida et al.  
4,090,754 A 5/1978 Kavis  
4,230,363 A 10/1980 Borichevsky  
D273,254 S 4/1984 Fairaizen

(Continued)

*Primary Examiner*—Sandra Snapp  
(74) *Attorney, Agent, or Firm*—Price, Heneveld, Cooper, DeWitt & Litton, LLP

(57) **CLAIM**

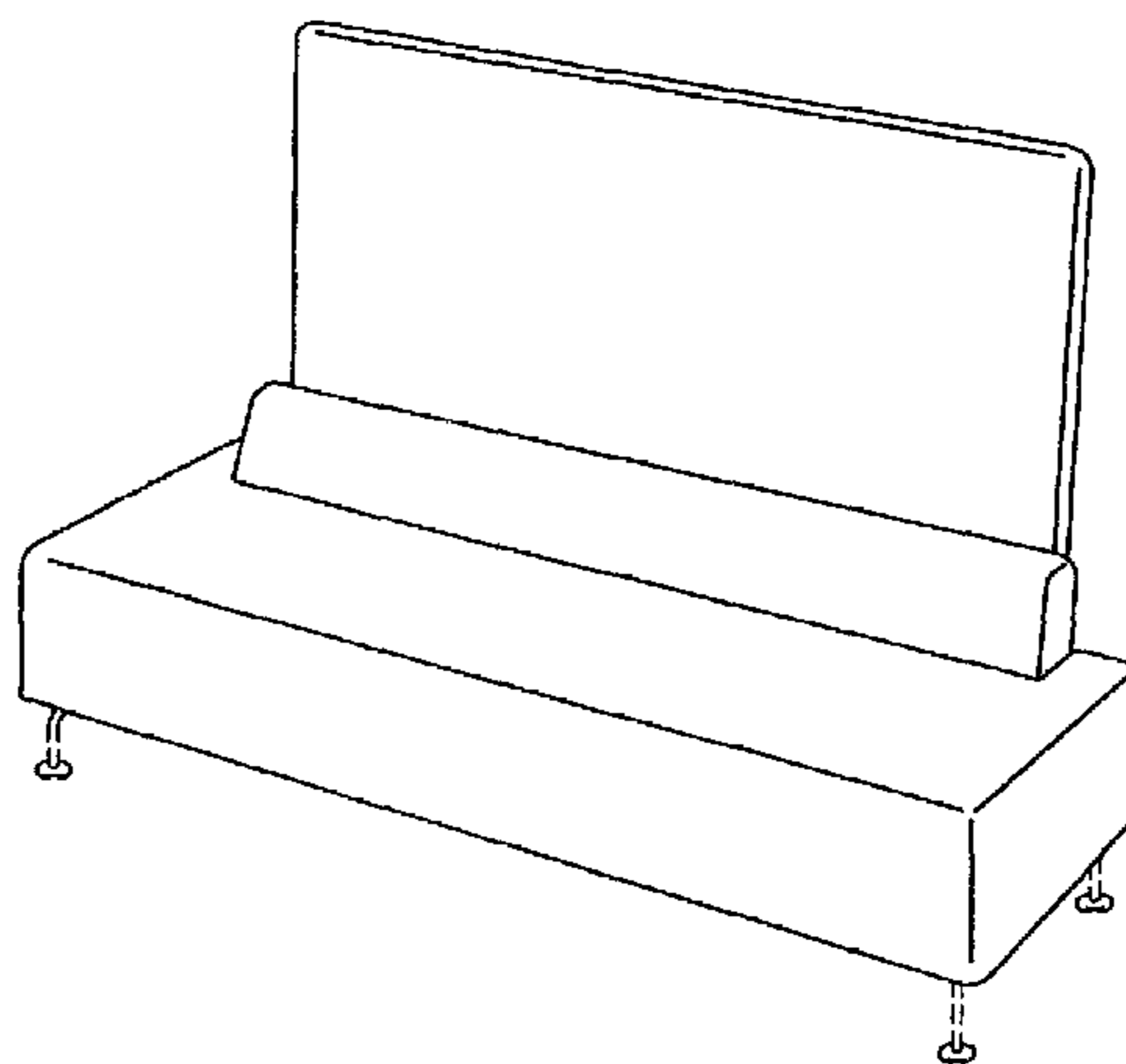
We claim the ornamental design for a furniture system, as shown and described.

**DESCRIPTION**

FIG. 1 is a front perspective view of a furniture system embodying the present invention;  
FIG. 2 is a front view of FIG. 1;  
FIG. 3 is a top view of FIG. 1;  
FIG. 4 is a rear view of FIG. 1;  
FIG. 5 is a right side view of FIG. 1; and,  
FIG. 6 is a left side view of FIG. 1.

The dashed lines in FIGS. 1—6 show the environment and do not form a part of the design sought to be patented.

**1 Claim, 2 Drawing Sheets**



# US D567,526 S

Page 2

---

## U.S. PATENT DOCUMENTS

D482,536 S	*	11/2003	Williams et al. ....	D6/335	D540,062 S	4/2007	Natuzzi	
D498,075 S		11/2004	Mourgue		D541,070 S	4/2007	Nicoletti	
D526,803 S		8/2006	Lee		D541,545 S	*	5/2007	Gomez ..... D6/381
D536,899 S		2/2007	Nicoletti		D555,867 S	*	11/2007	Lin et al. .... D34/9

\* cited by examiner

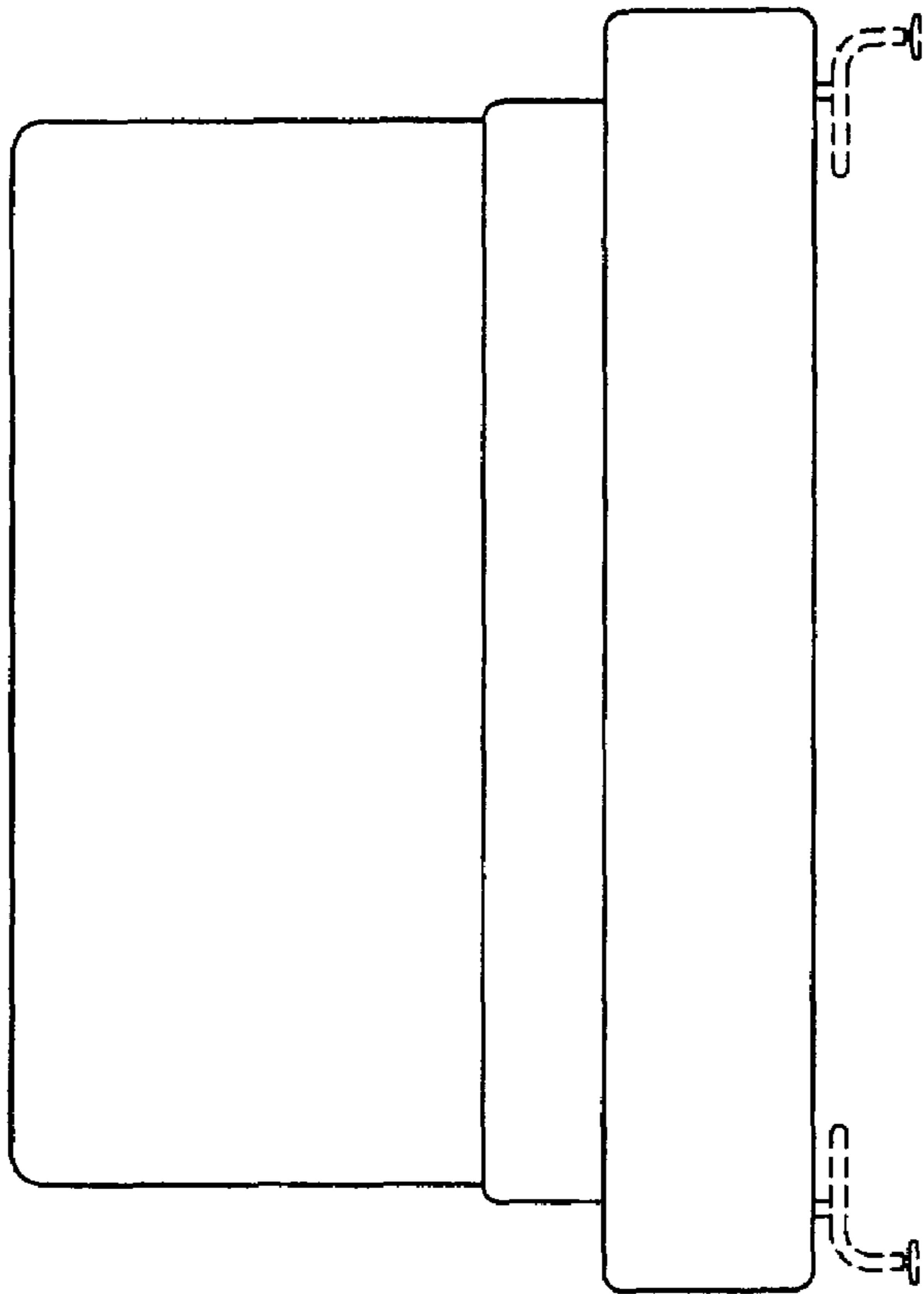


FIG. 2

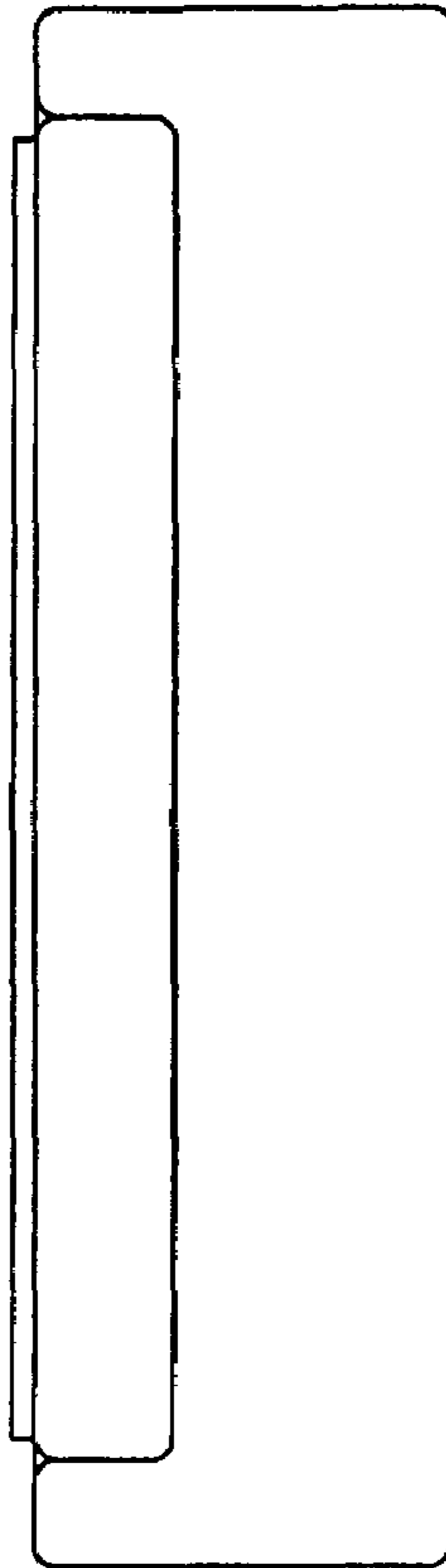


FIG. 3

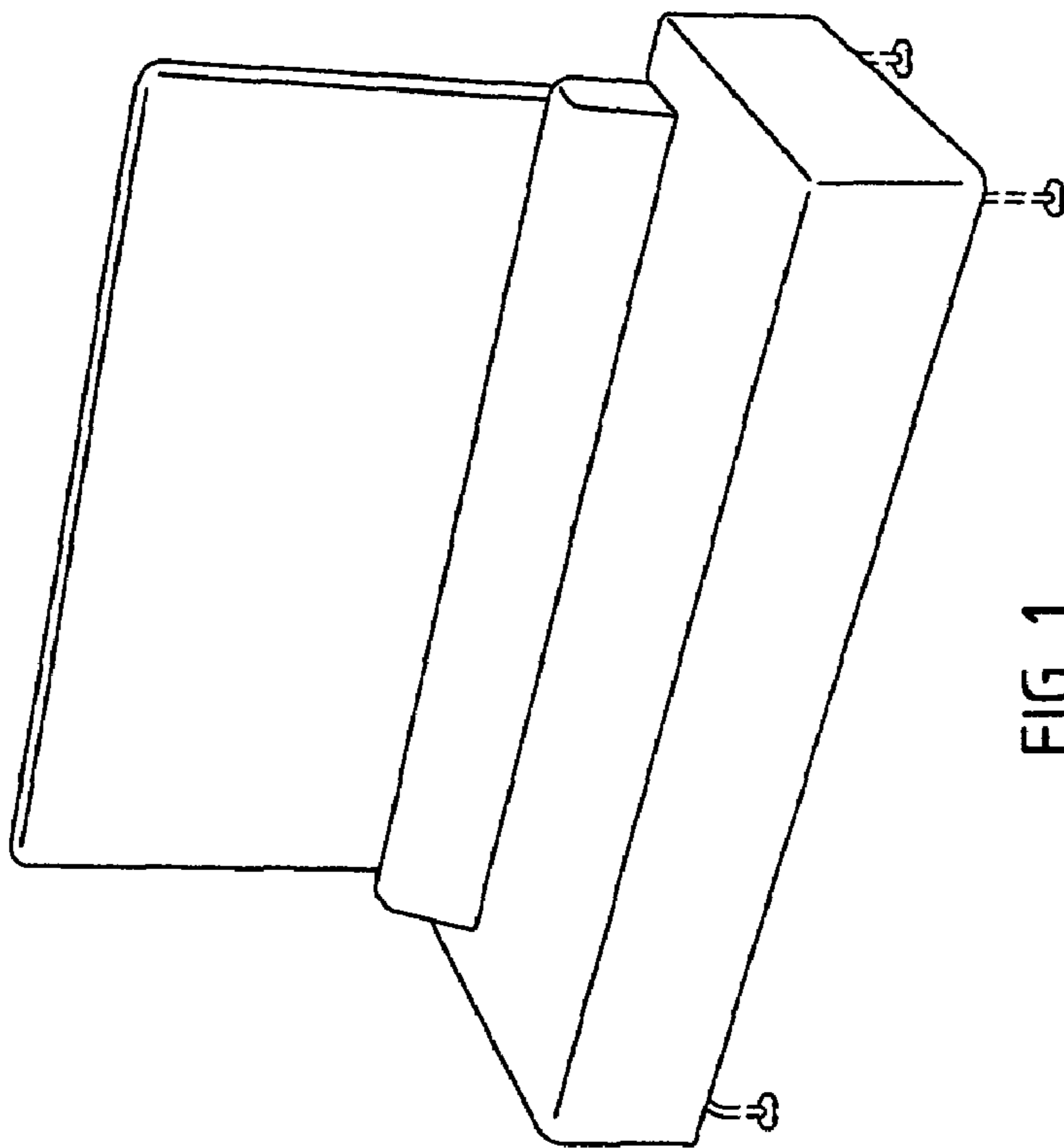


FIG. 1

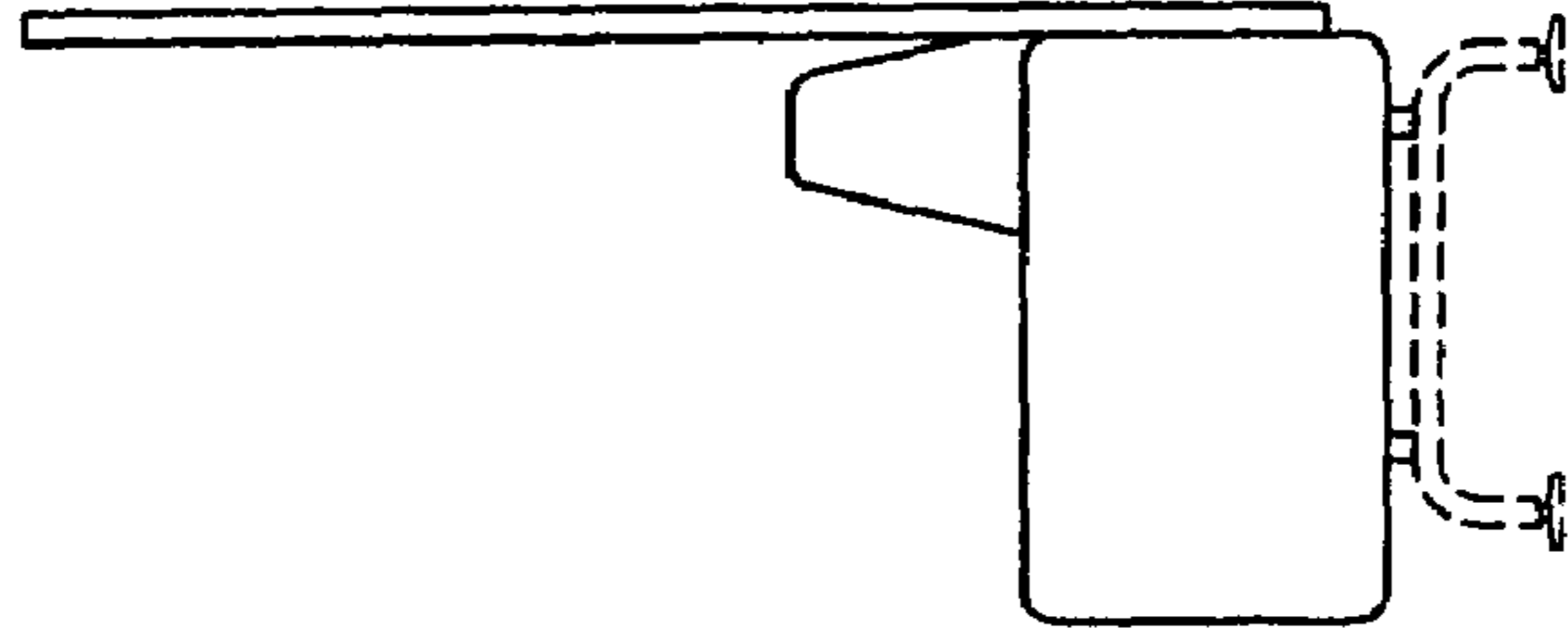


FIG. 6

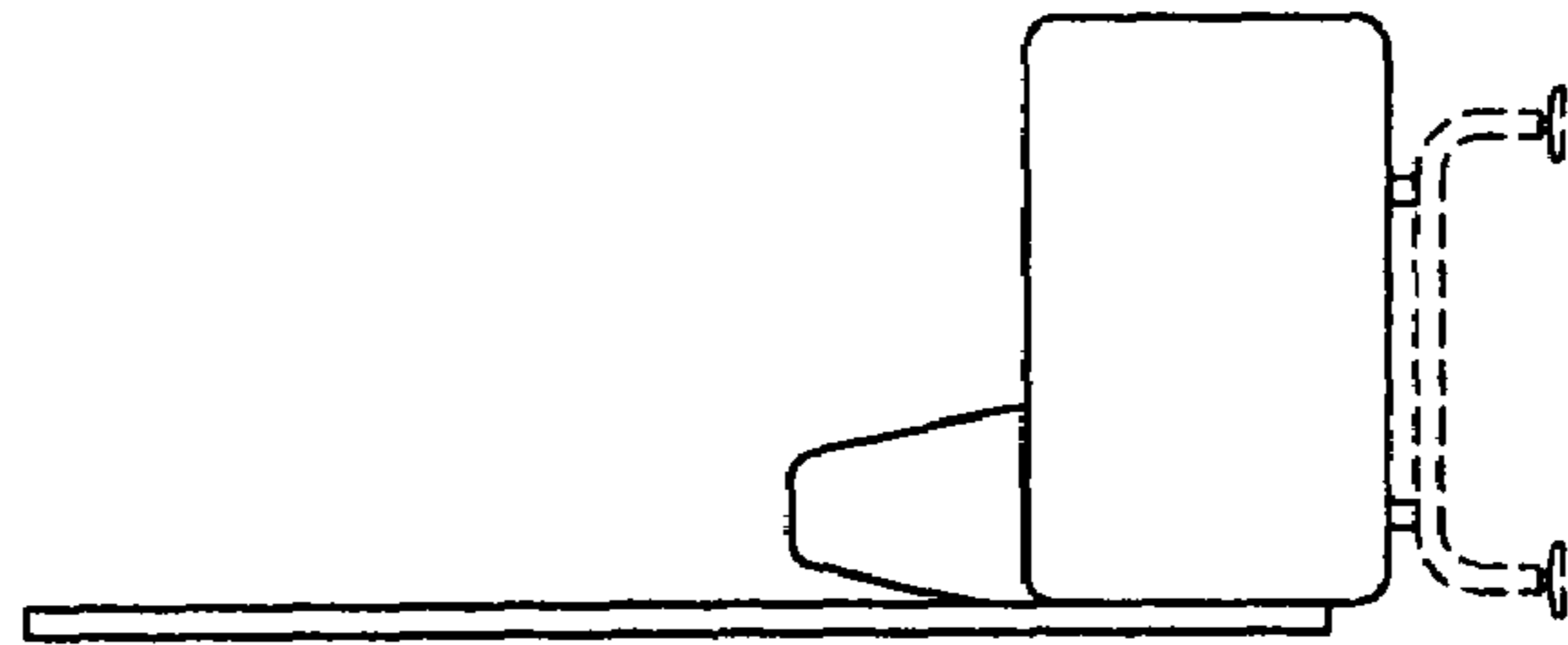


FIG. 5

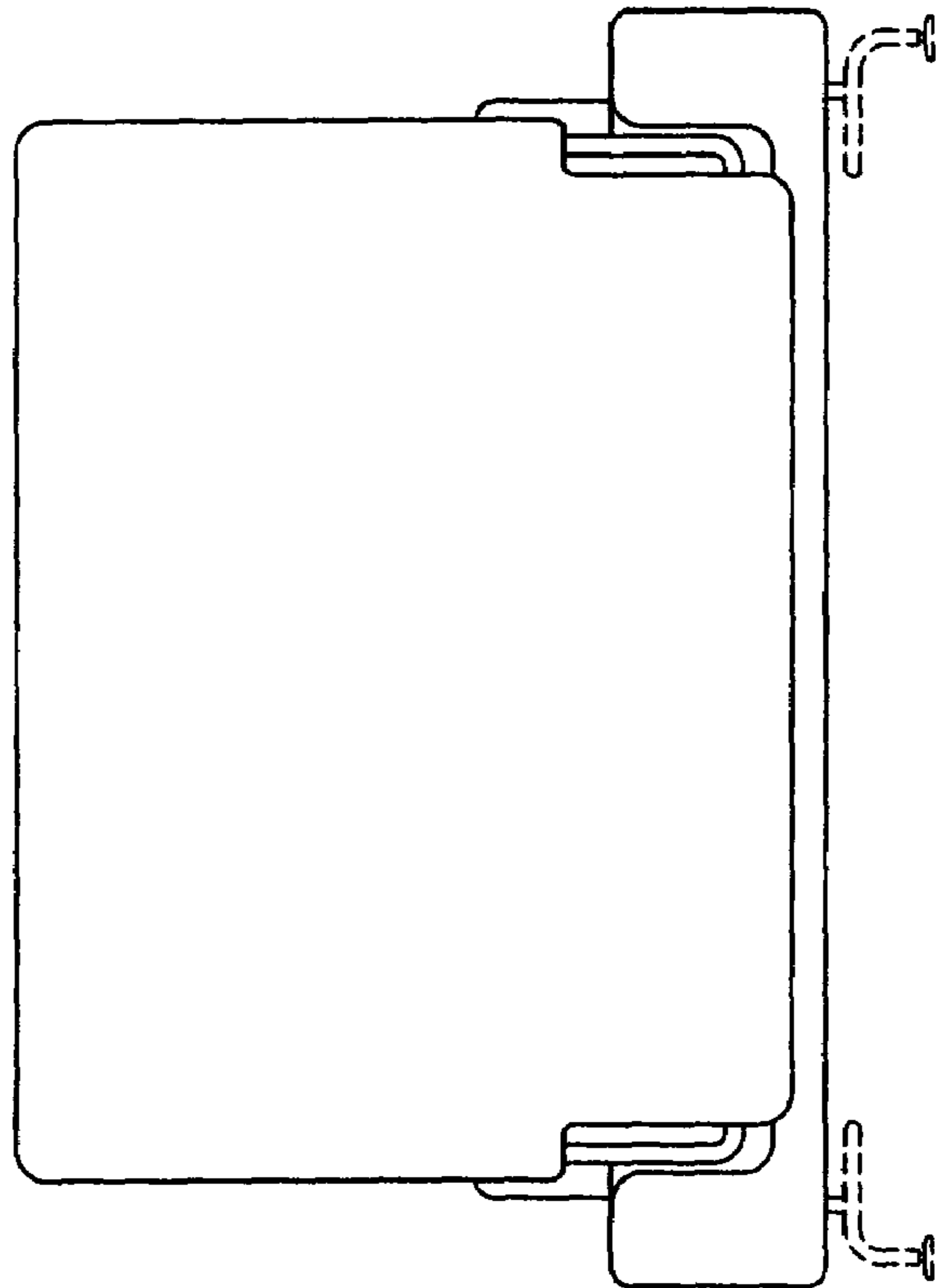


FIG. 4