



US00D567524S

(12) **United States Design Patent**
Marin

(10) **Patent No.:** **US D567,524 S**

(45) **Date of Patent:** **** Apr. 29, 2008**

(54) **CHAIR**

(75) Inventor: **Marco Marin**, Marsciano (IT)

(73) Assignee: **EMU Group S.p.A.**, Marsciano (PG)
(IT)

(**) Term: **14 Years**

(21) Appl. No.: **29/231,145**

(22) Filed: **Jun. 1, 2005**

(30) **Foreign Application Priority Data**

Dec. 1, 2004 (EM) 000269873-0001

(51) **LOC (8) Cl.** **06-01**

(52) **U.S. Cl.** **D6/368**

(58) **Field of Classification Search** D6/334-336,
D6/500-502, 367-368, 374-376, 380; 297/16.1,
297/46, 55, 452.29, 452.21, 40, 59, 56
See application file for complete search history.

(56) **References Cited**

U.S. PATENT DOCUMENTS

D452,619 S * 1/2002 Piretti D6/368
D501,613 S * 2/2005 Kaltenmark et al. D6/368
D504,787 S * 5/2005 Shin D6/368
D505,800 S * 6/2005 Lucci et al. D6/368

D506,325 S * 6/2005 Farber et al. D6/368
D506,880 S * 7/2005 Cantarutti D6/368
D507,425 S * 7/2005 Ashby et al. D6/368
D523,254 S * 6/2006 Nye et al. D6/368

* cited by examiner

Primary Examiner—Caron D. Veynar

Assistant Examiner—Abraham Bahta

(74) *Attorney, Agent, or Firm*—Themis Intellectual Property
Counsel

(57) **CLAIM**

I claim the ornamental design for a chair, as shown and
described.

DESCRIPTION

FIG. 1 is a perspective view of a chair showing my new
design;

FIG. 2 is a front elevational view thereof;

FIG. 3 is a right side elevational view thereof;

FIG. 4 is a rear elevational view thereof;

FIG. 5 is a top plan view thereof; and,

FIG. 6 is a right side elevational view of the chair in a folded
position showing my new design.

1 Claim, 6 Drawing Sheets





FIG. 1

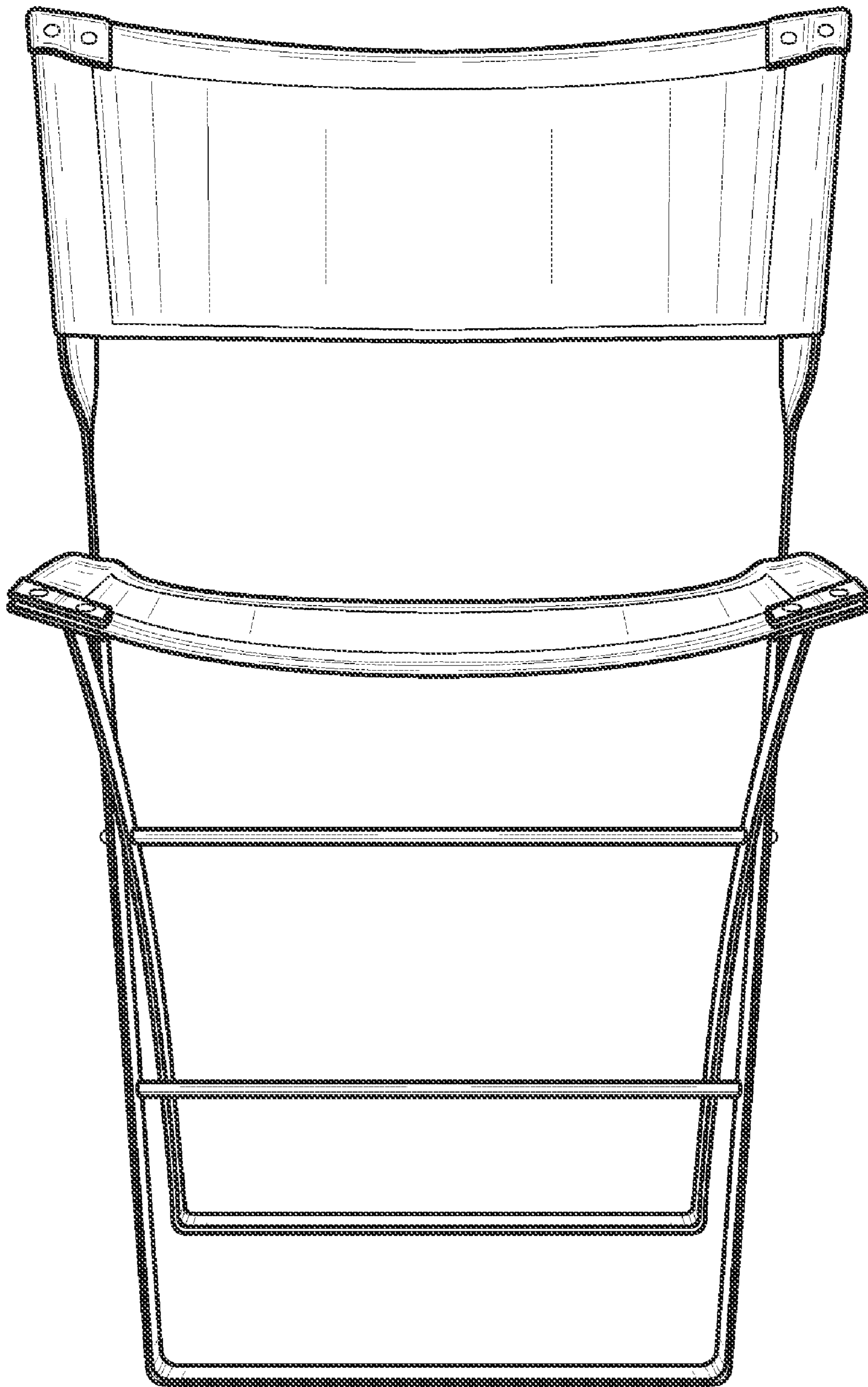
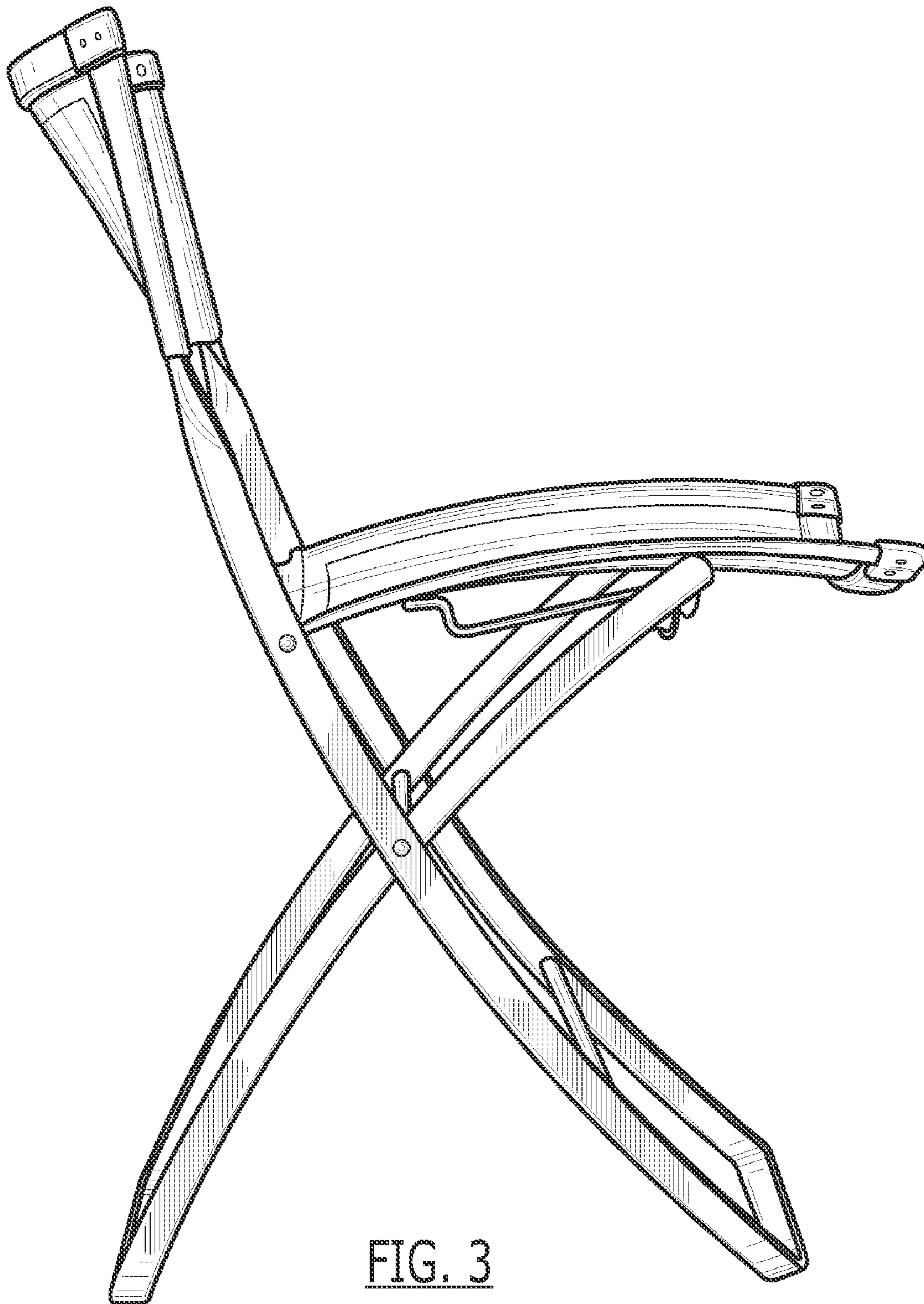


FIG. 2



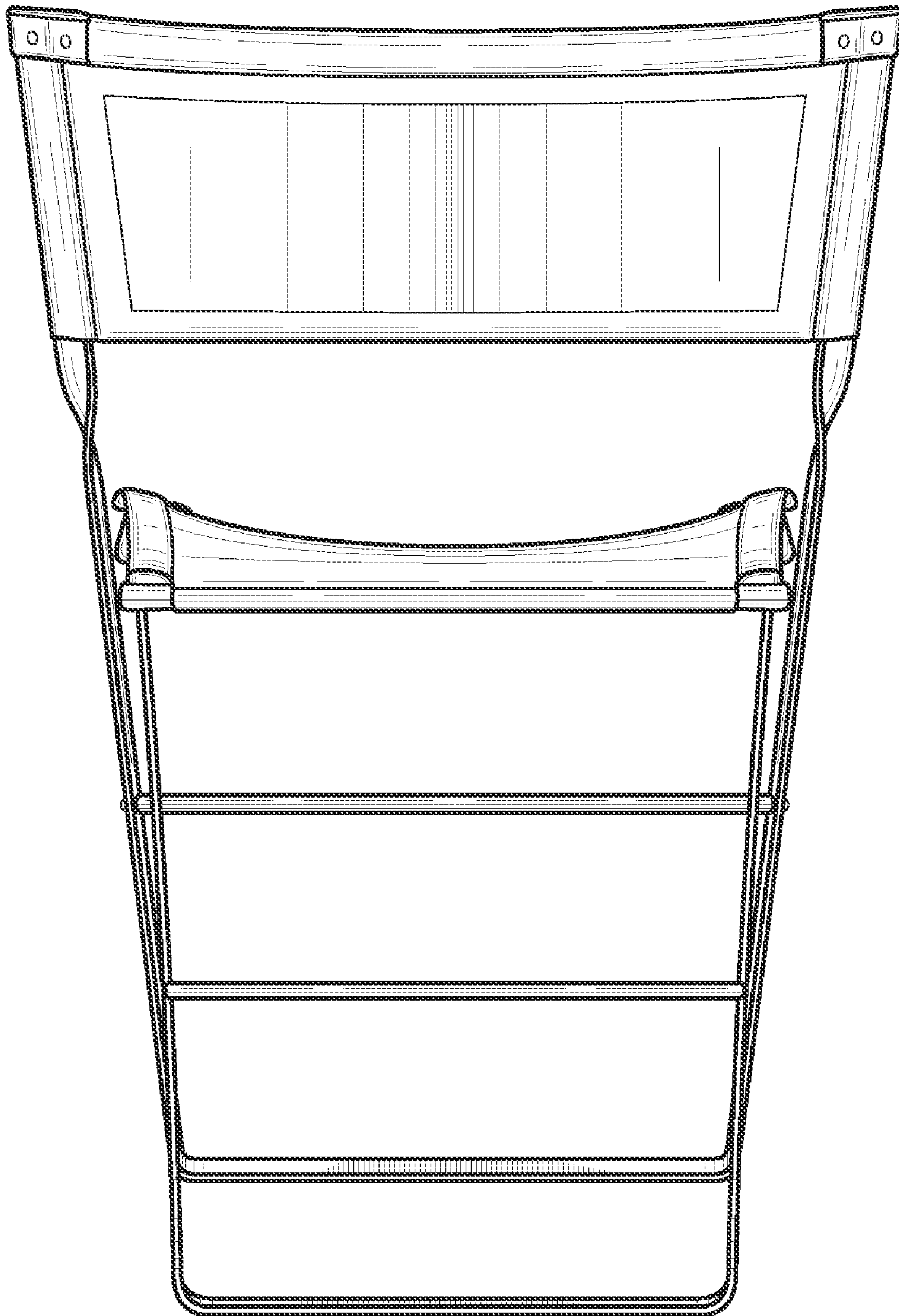


FIG. 4

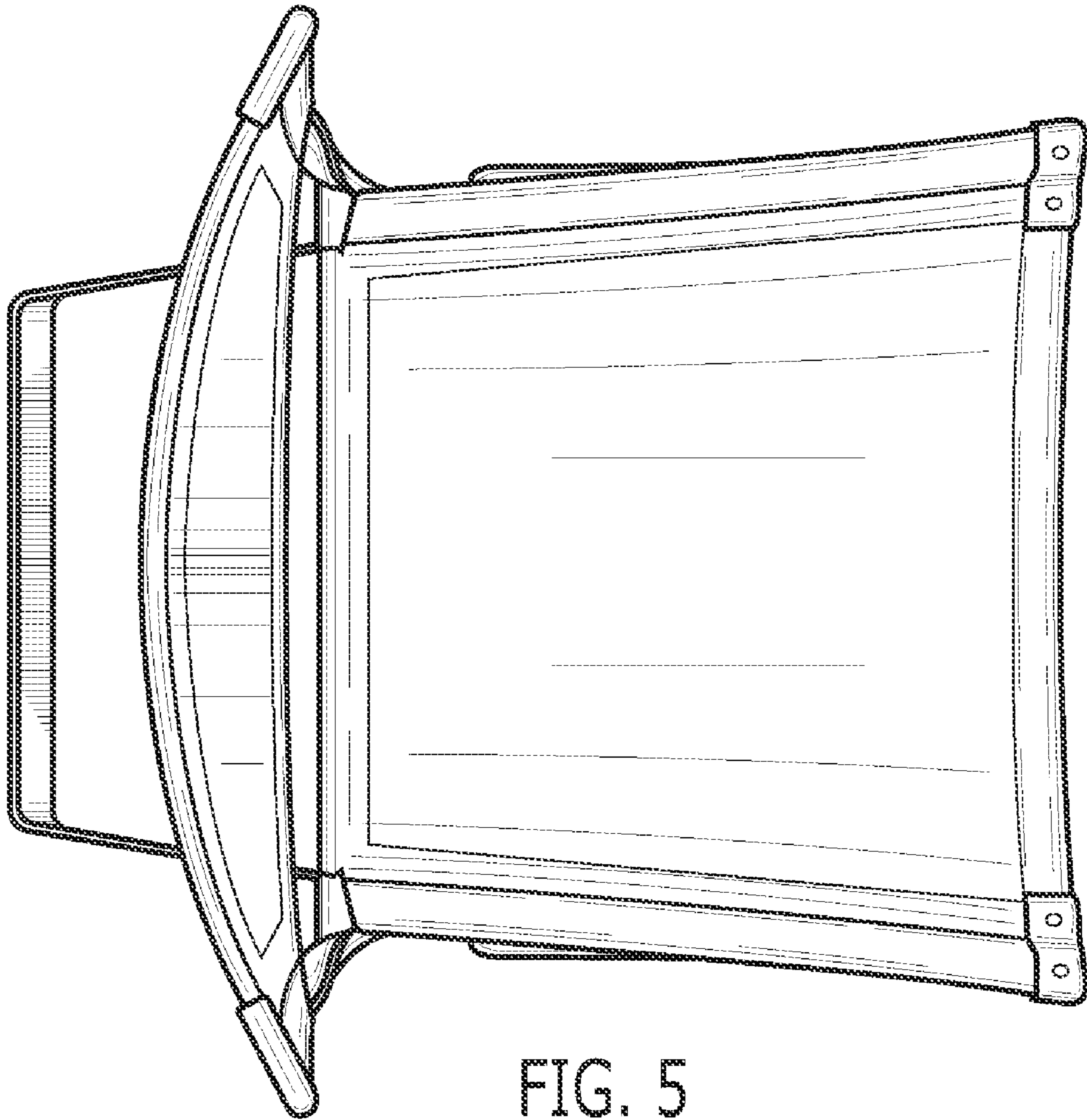


FIG. 5

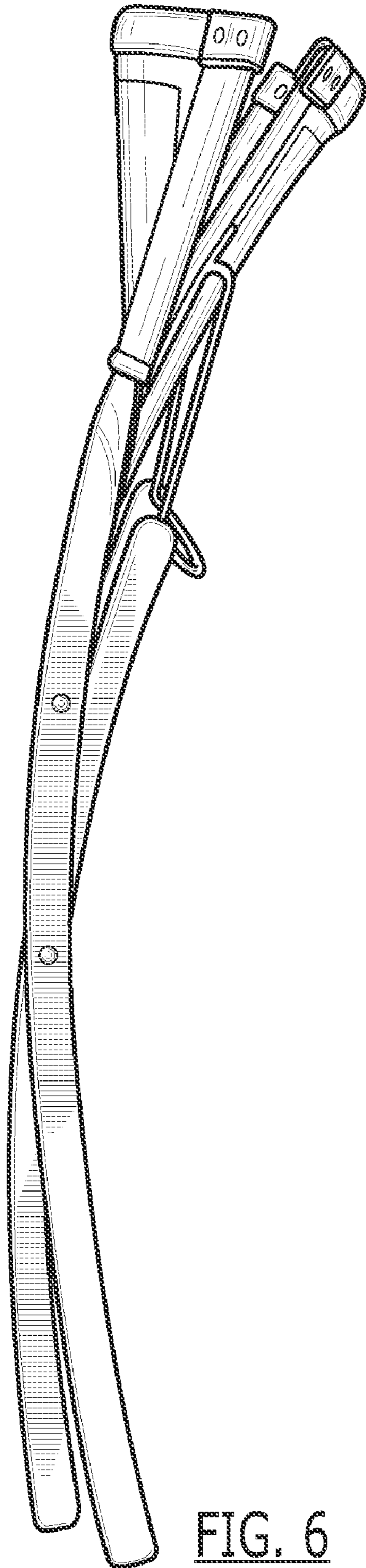


FIG. 6