



US00D567523S

(12) **United States Design Patent**
Hara

(10) **Patent No.:** **US D567,523 S**
(45) **Date of Patent:** **** *Apr. 29, 2008**

(54) **CHAIR**

(75) Inventor: **Eisuke Hara**, Kawasaki (JP)

(73) Assignee: **Okamura Corporation** (JP)

(*) Notice: This patent is subject to a terminal disclaimer.

(**) Term: **14 Years**

(21) Appl. No.: **29/279,073**

(22) Filed: **Apr. 19, 2007**

(30) **Foreign Application Priority Data**

Oct. 24, 2006 (JP) 2006-029071

(51) **LOC (8) Cl.** **06-01**

(52) **U.S. Cl.** **D6/366**

(58) **Field of Classification Search** D6/334-335,
D6/356, 364, 365, 366, 367, 374, 500-502;
297/452.21, 452.24, 452.26, 452.32, 452.33,
297/452.37, 452.48

See application file for complete search history.

(56) **References Cited**

U.S. PATENT DOCUMENTS

D388,258 S * 12/1997 Ambasz D6/366
D477,469 S * 7/2003 Brooks D6/366
D514,338 S * 2/2006 Bellin D6/366

D546,594 S * 7/2007 Kane et al. D6/500
D547,078 S * 7/2007 Huang D6/366
D549,476 S * 8/2007 Chu D6/366

* cited by examiner

Primary Examiner—Mimosa De

(74) *Attorney, Agent, or Firm*—Ostrolenk, Faber, Gerb, Soffen, LLP

(57) **CLAIM**

The ornamental design for a chair, as shown and described.

DESCRIPTION

FIG. 1 is a front elevational view of a chair showing my new design;

FIG. 2 is a rear side elevational view thereof;

FIG. 3 is a top plan view thereof;

FIG. 4 is a rear elevational view thereof;

FIG. 5 is a bottom plan view thereof;

FIG. 6 is a vertical sectional view taken along the line A—A— in FIG. 1;

FIG. 7 is a cross sectional view taken along the line B—B— in FIG. 1;

FIG. 8 is a front perspective view of the chair; and,

FIG. 9 is a rear perspective view thereof.

1 Claim, 5 Drawing Sheets

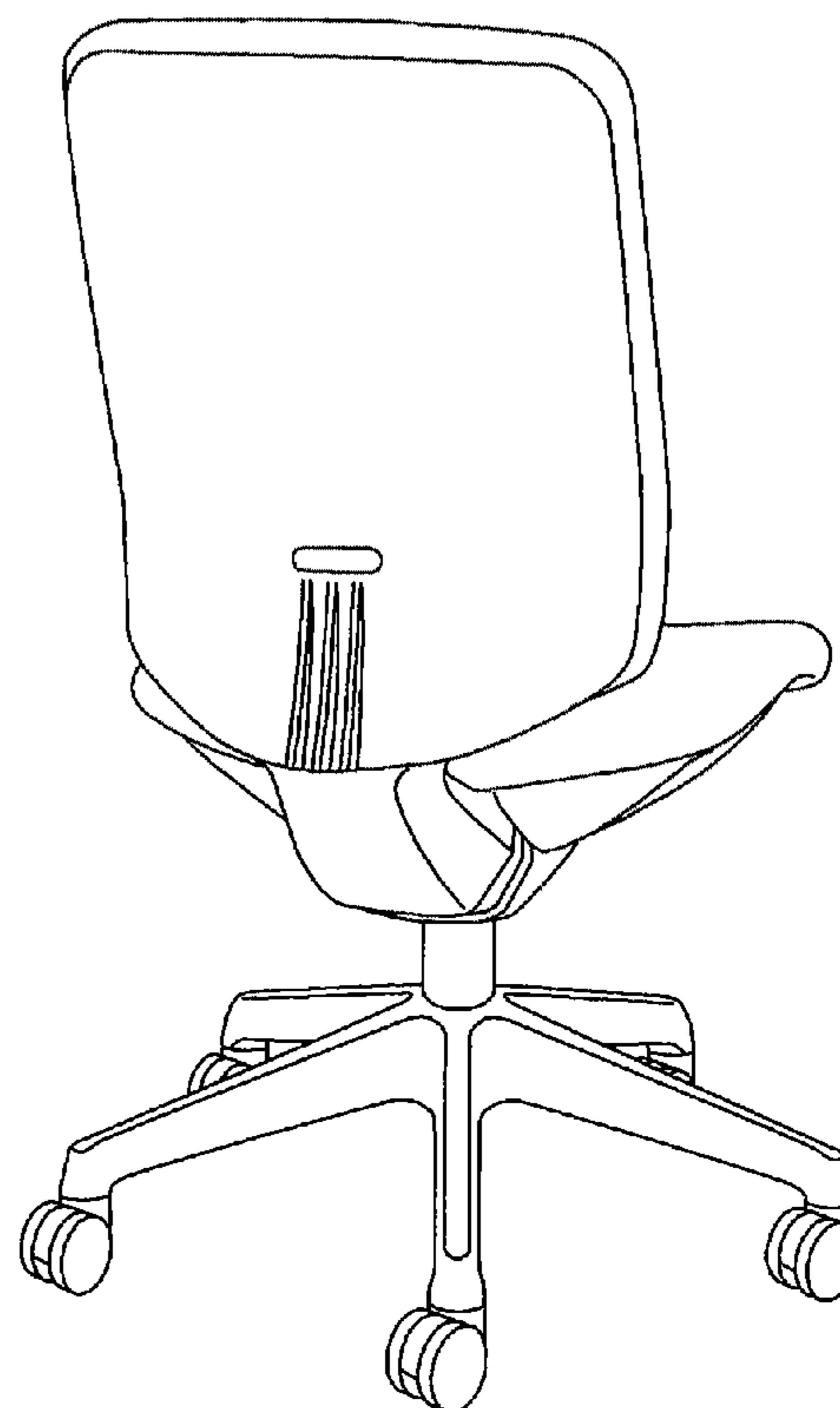


FIG. 1

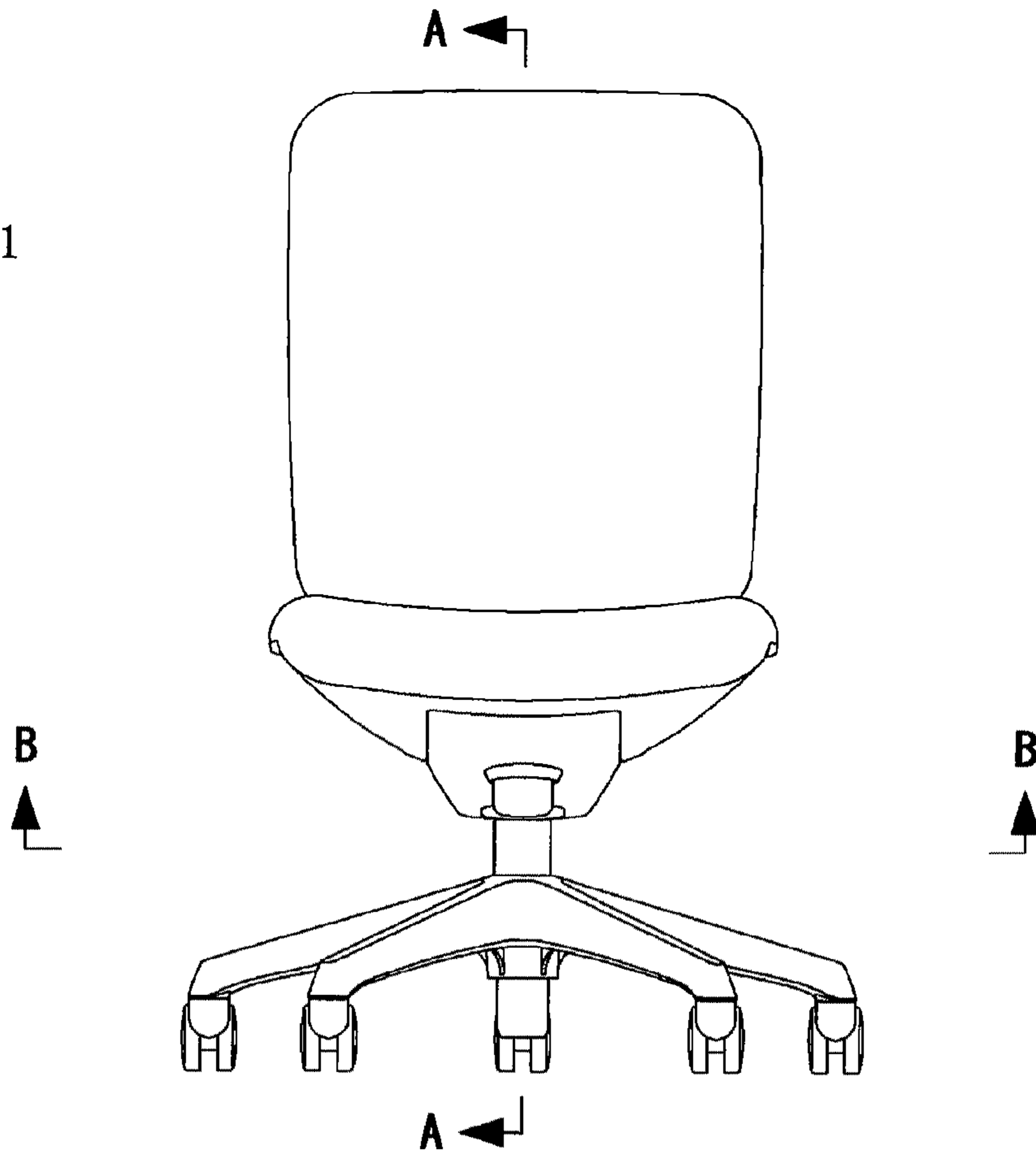


FIG. 2

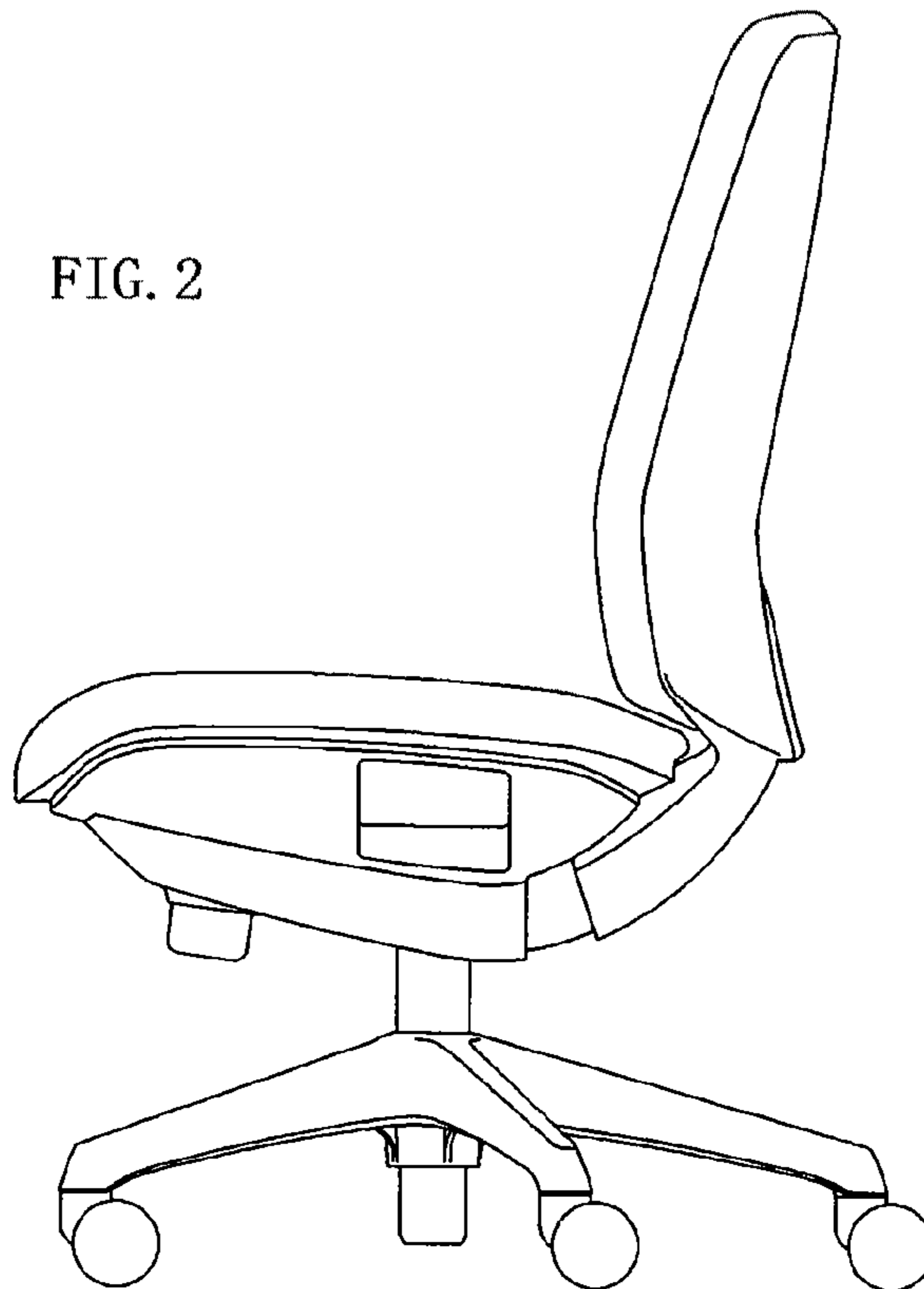


FIG. 3

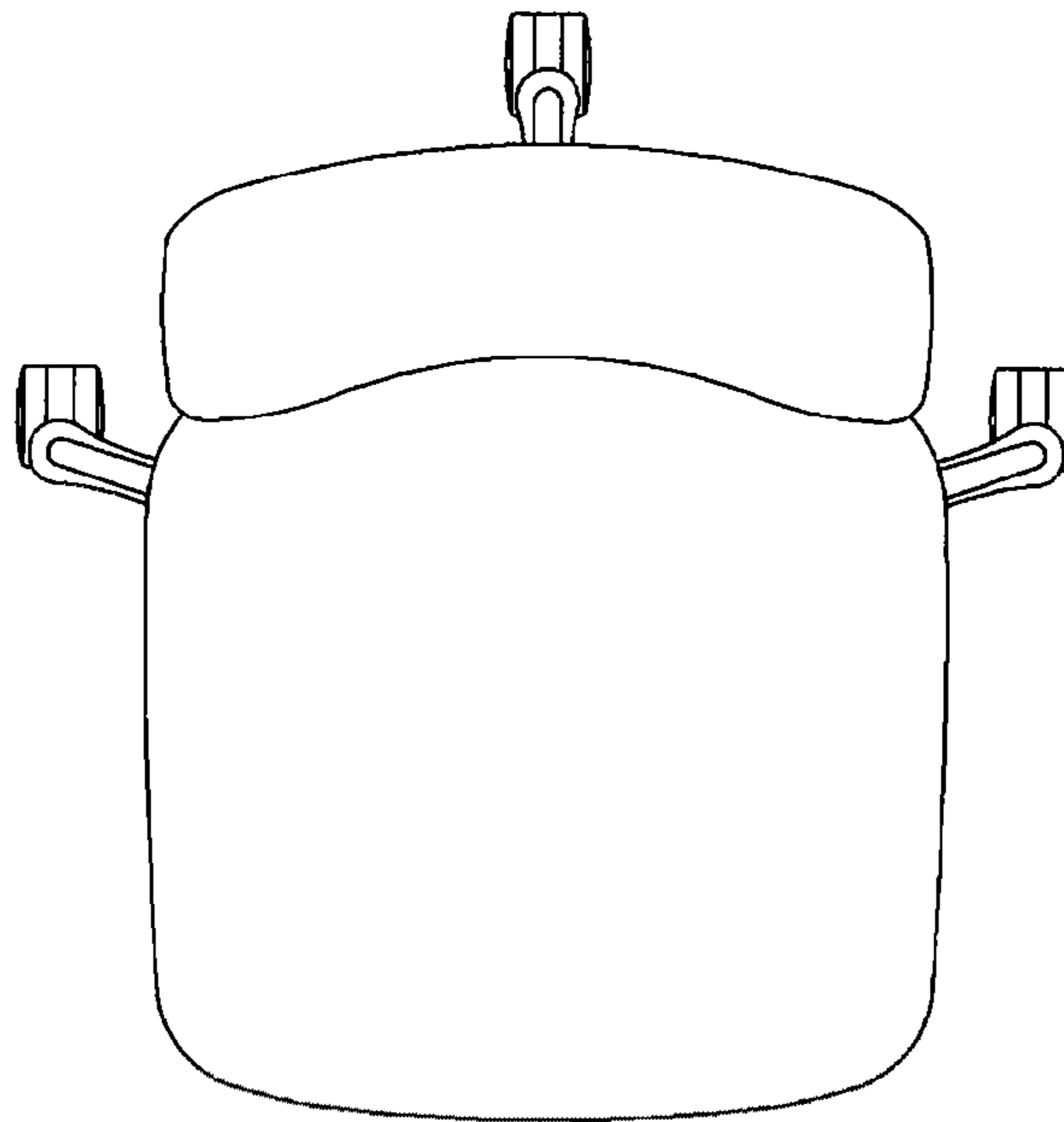


FIG. 4

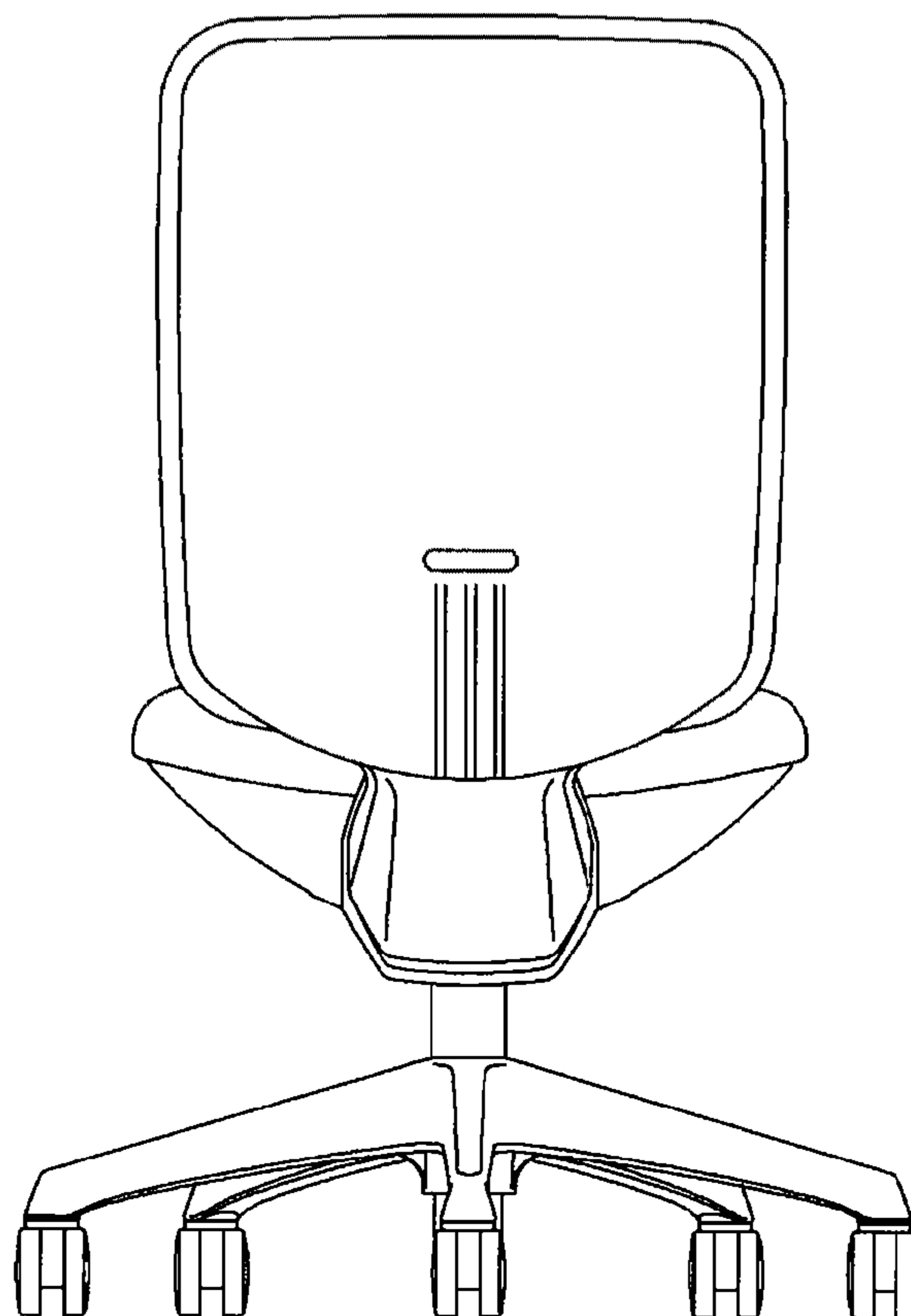


FIG. 5

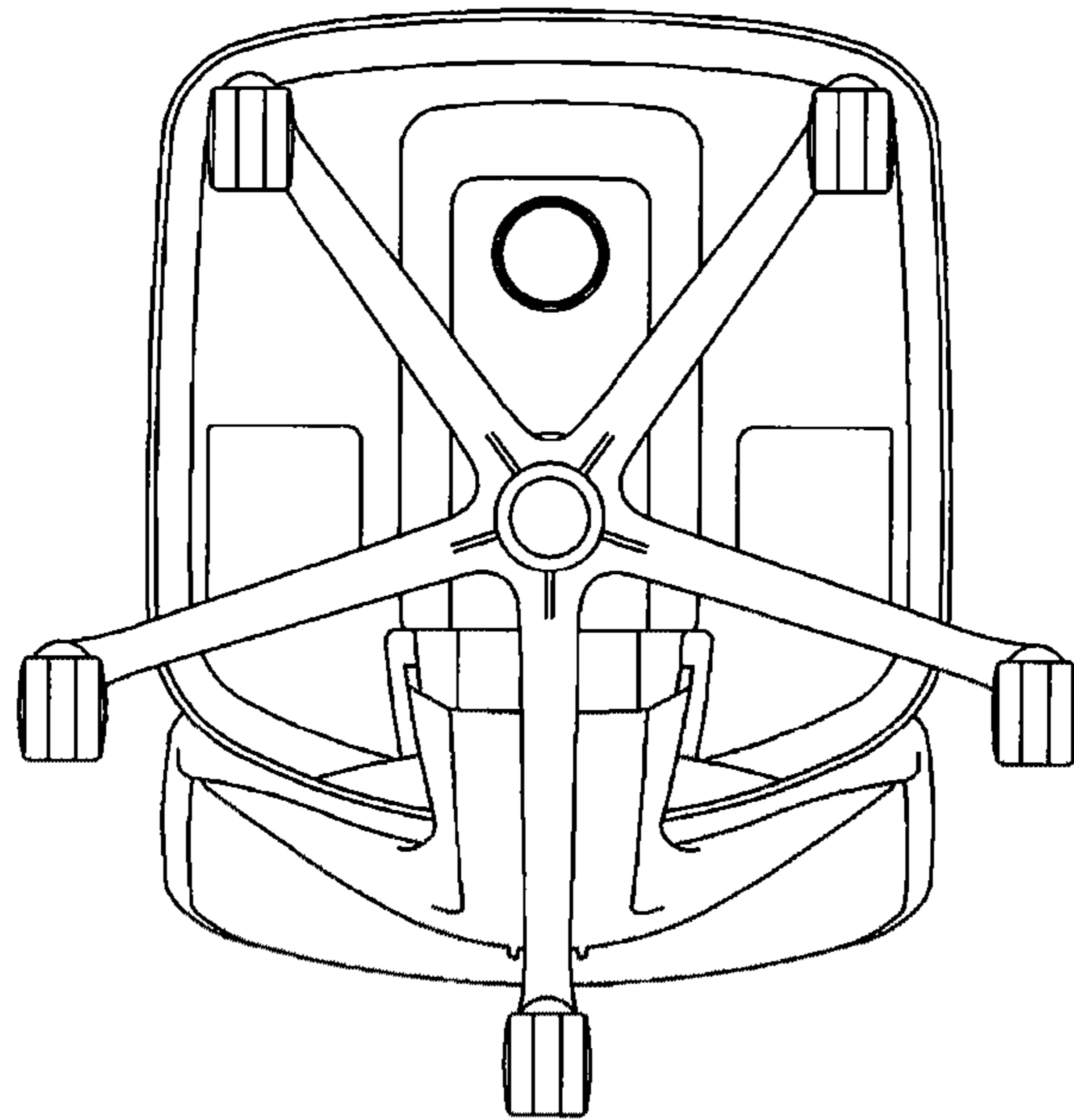


FIG. 6

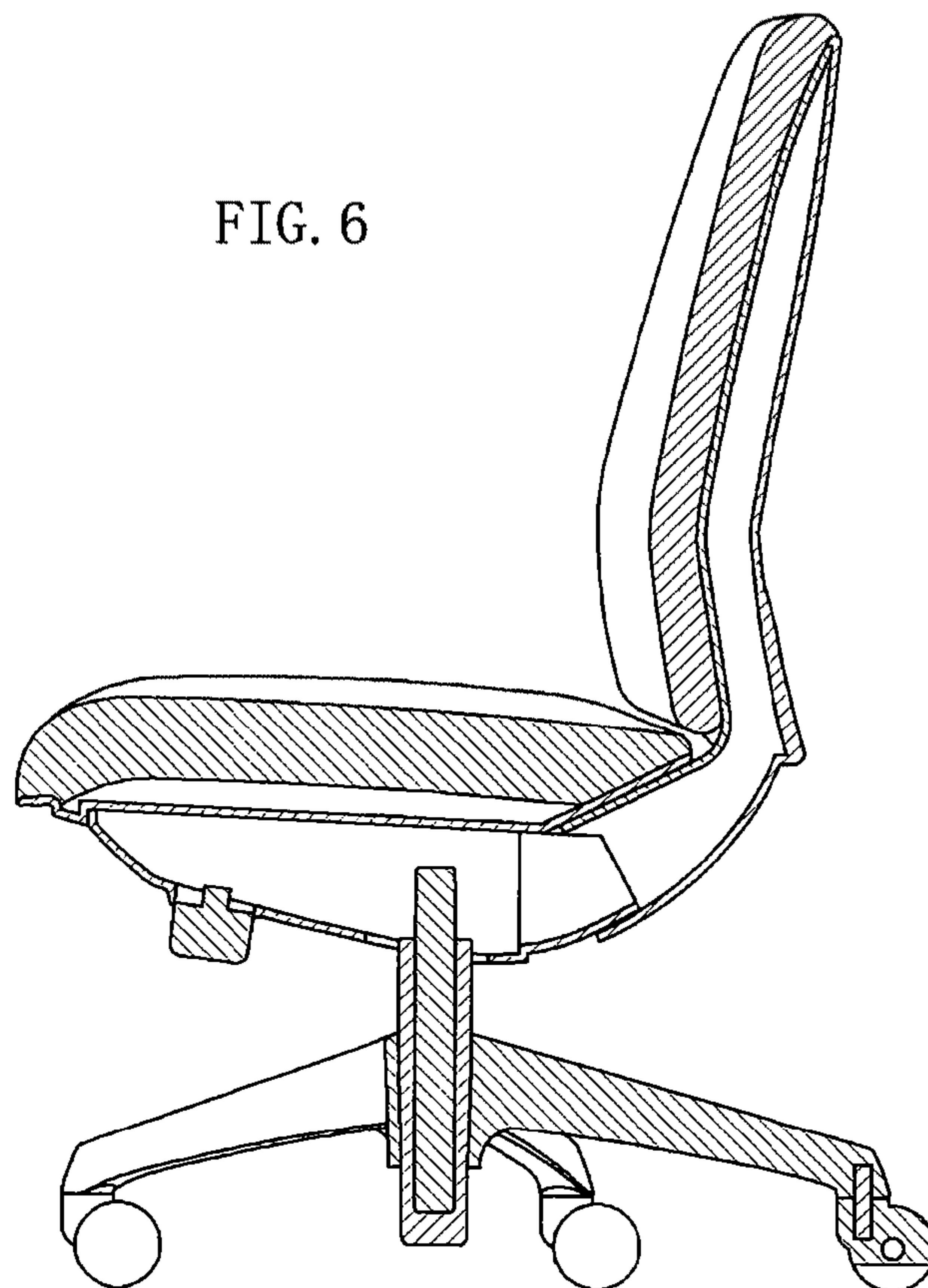


FIG. 7

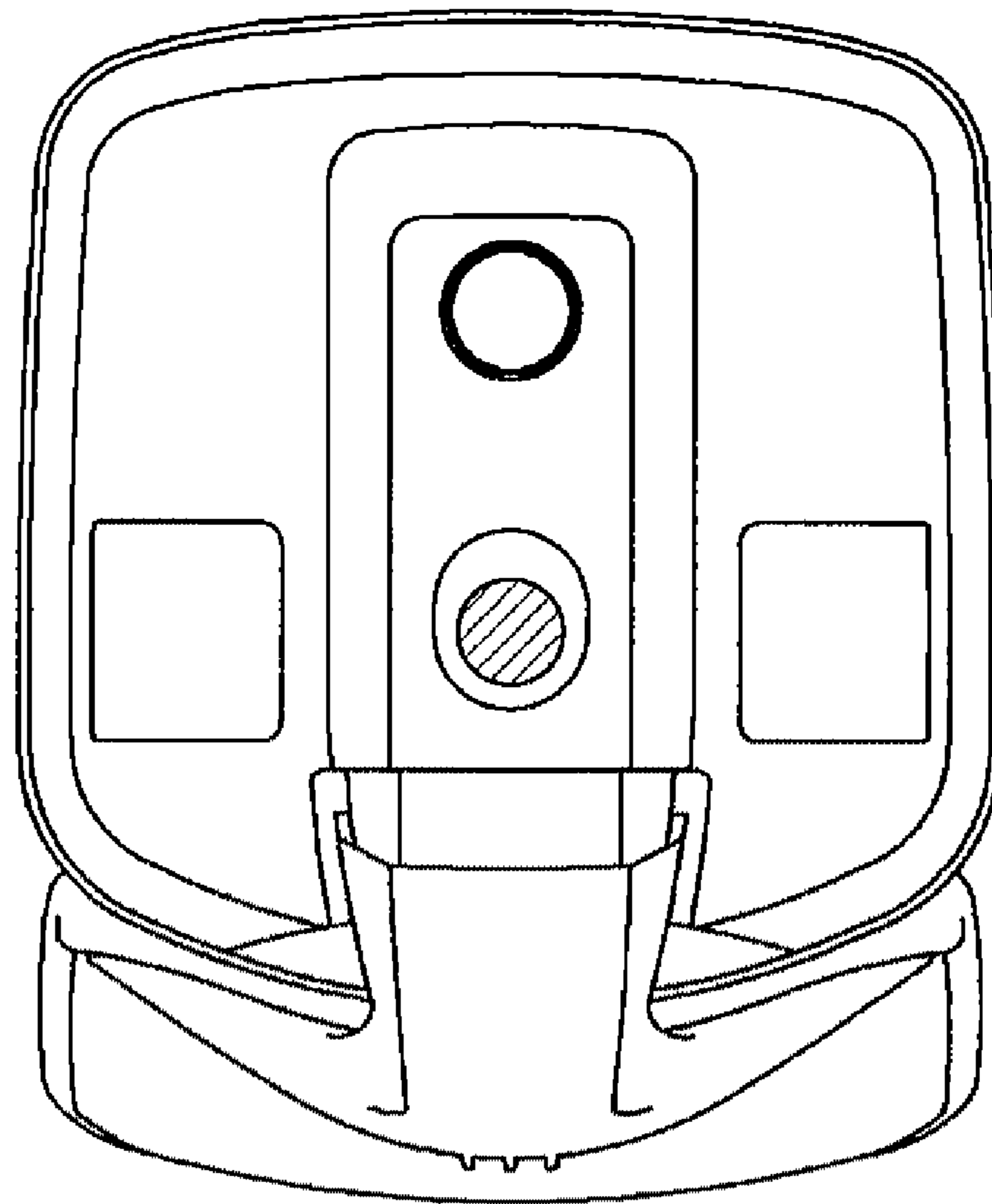


FIG. 8

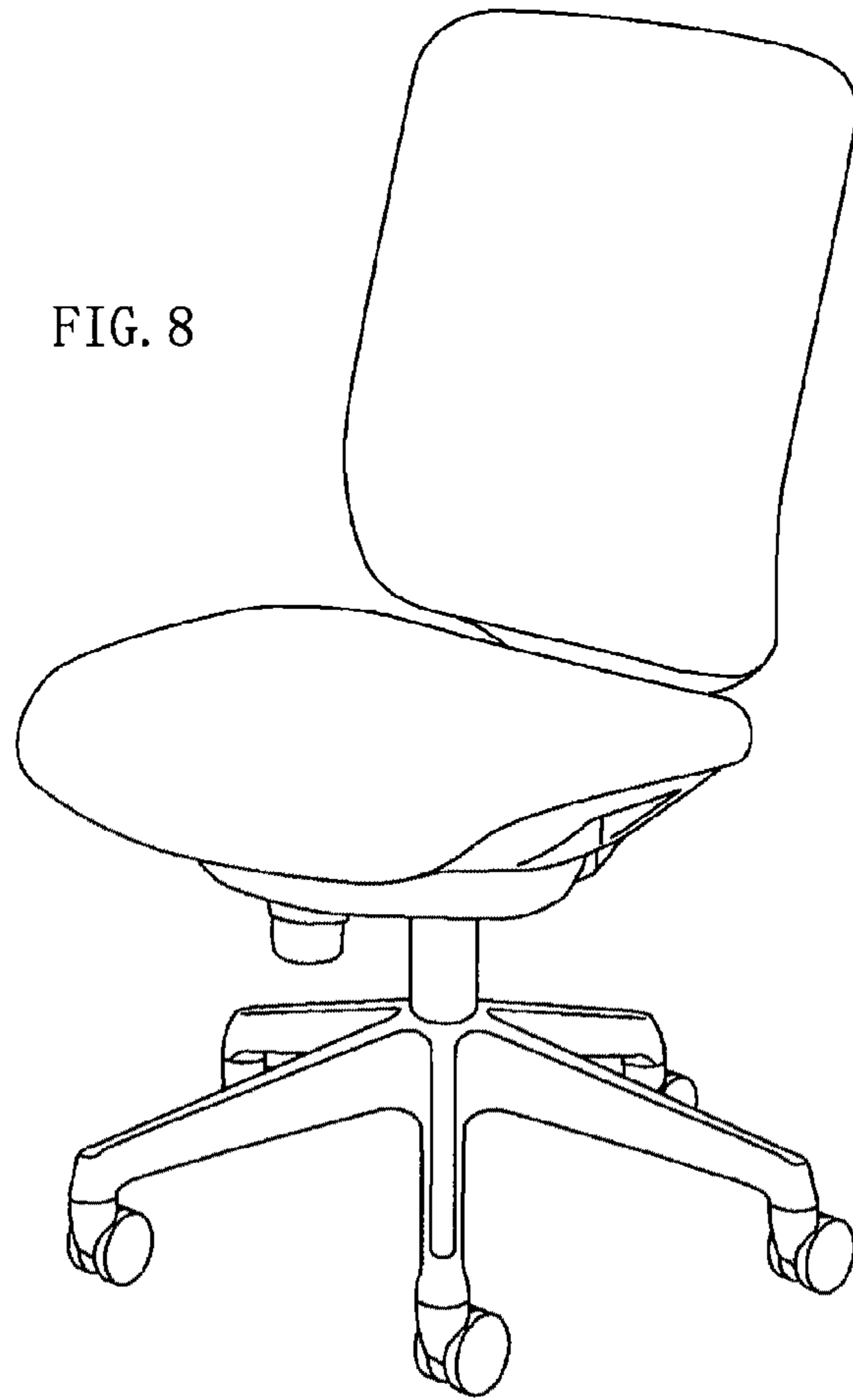


FIG. 9

