



US00D567520S

(12) **United States Design Patent**
Fuentes-Viguié

(10) **Patent No.:** **US D567,520 S**
(45) **Date of Patent:** **** Apr. 29, 2008**

(54) **LEANING WALL FURNITURE**

(76) **Inventor:** **Maruja Fuentes-Viguié**, 5803 José M. Tartak St., Condo. Raquet Club, Apt. 304, Carolina, PR (US) 00979

(**) **Term:** **14 Years**

(21) **Appl. No.:** **29/259,540**

(22) **Filed:** **May 9, 2006**

(51) **LOC (8) Cl.** **06-01**

(52) **U.S. Cl.** **D6/362**

(58) **Field of Classification Search** D6/362,
D6/334-335, 505-506, 555, 574, 553; 4/611;
211/13.1, 34-35, 87.01; 5/53.1, 280, 183,
5/285, 907; 312/242; 244/118.5; 297/250.1,
297/253, 254, 452.1, 344.1, 344.12; 105/329.1;
108/47, 48, 42

See application file for complete search history.

(56) **References Cited**

U.S. PATENT DOCUMENTS

1,065,022	A *	6/1913	Hellen	248/413
1,642,125	A	9/1927	Nelson		
2,714,920	A *	8/1955	Hancock	297/14
3,306,658	A *	2/1967	Roberts	297/4
3,405,972	A	10/1968	Morris		
3,873,151	A	3/1975	Lavern		
D271,731	S *	12/1983	Chamberlain et al.	D6/362
4,526,422	A	7/1985	Mengshoel		
D281,563	S *	12/1985	Rougier	D6/505
D338,120	S *	8/1993	Pauer et al.	D6/505
D342,779	S *	12/1993	Root	D23/304
5,303,981	A	4/1994	Wilder		
D379,040	S *	5/1997	Chen	D6/506
5,791,729	A	8/1998	McCormick		
D406,207	S *	3/1999	Konorti et al.	D6/505

D411,065	S *	6/1999	Davis	D6/555
D451,725	S *	12/2001	Rocheford	D6/505
6,343,834	B1	2/2002	Wurmlinger		
6,467,728	B2	10/2002	Angerami		
D471,023	S	3/2003	Lanius		
D519,764	S *	5/2006	O'Hare	D6/505

* cited by examiner

Primary Examiner—Caron D. Veynar
Assistant Examiner—Abraham Bahta
(74) *Attorney, Agent, or Firm*—Carla Ferrari-Lugo, Esq.

(57) **CLAIM**

The ornamental design for a leaning wall furniture, as shown and described.

DESCRIPTION

FIG. 1 is a front view of the decorative leaning wall furniture showing my new design;

FIG. 2 is a side view thereof;

FIG. 3 is a perspective view of thereof;

FIG. 4 is another perspective view thereof;

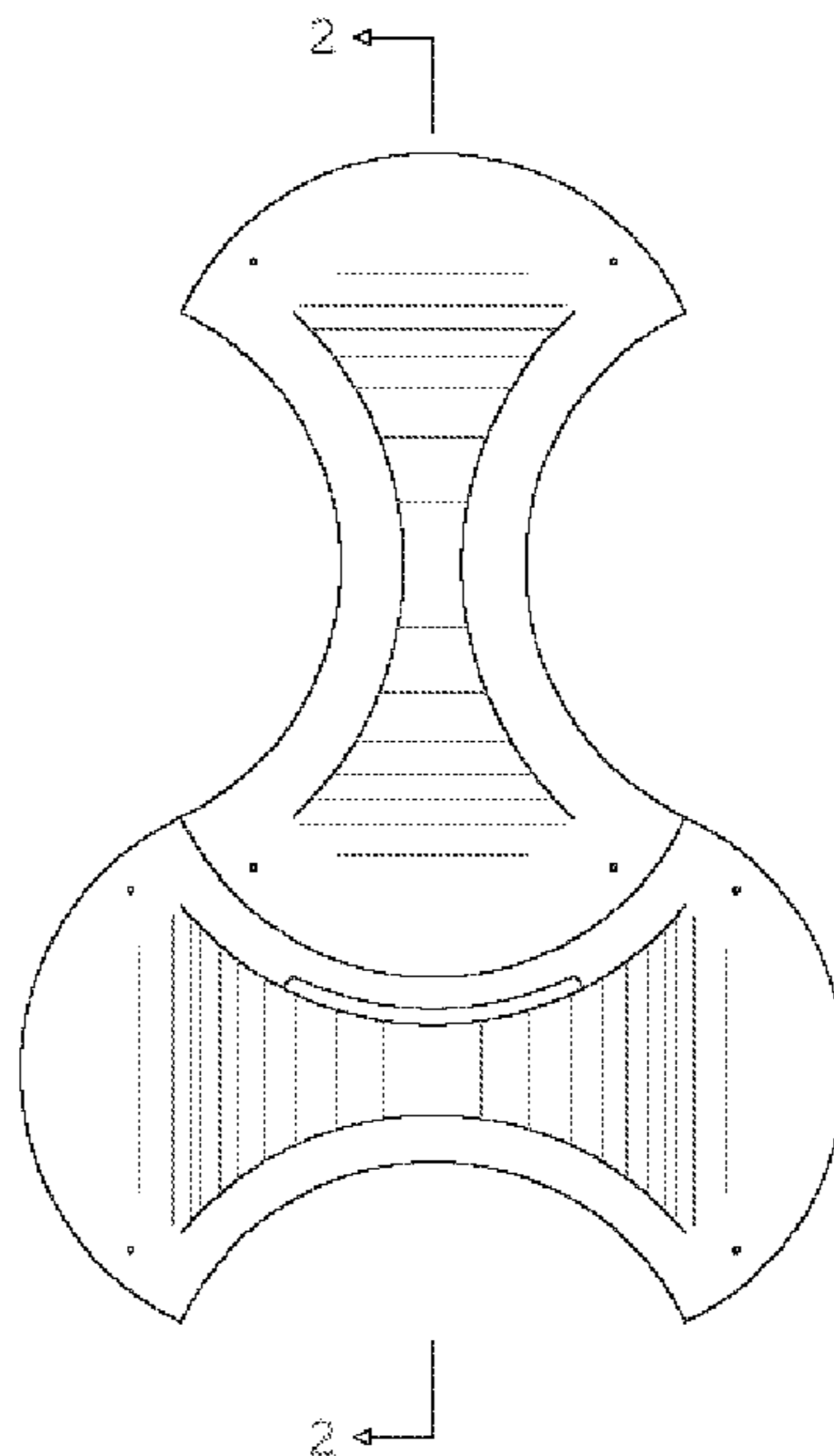
FIG. 5 is a front view of two decorative leaning wall furniture inversely puzzled together;

FIG. 6 is a portion of the front view of the two decorative leaning wall furniture showing inversely puzzled together; and,

FIG. 7 is an example of a repeat pattern layout of FIG. 5.

The broken line showing of the person's silhouette and a repeated pattern of the leaning wall furniture puzzled together in FIGS. 4-7 are for environmental and illustrative purposes only and form no part of the claimed design.

1 Claim, 6 Drawing Sheets



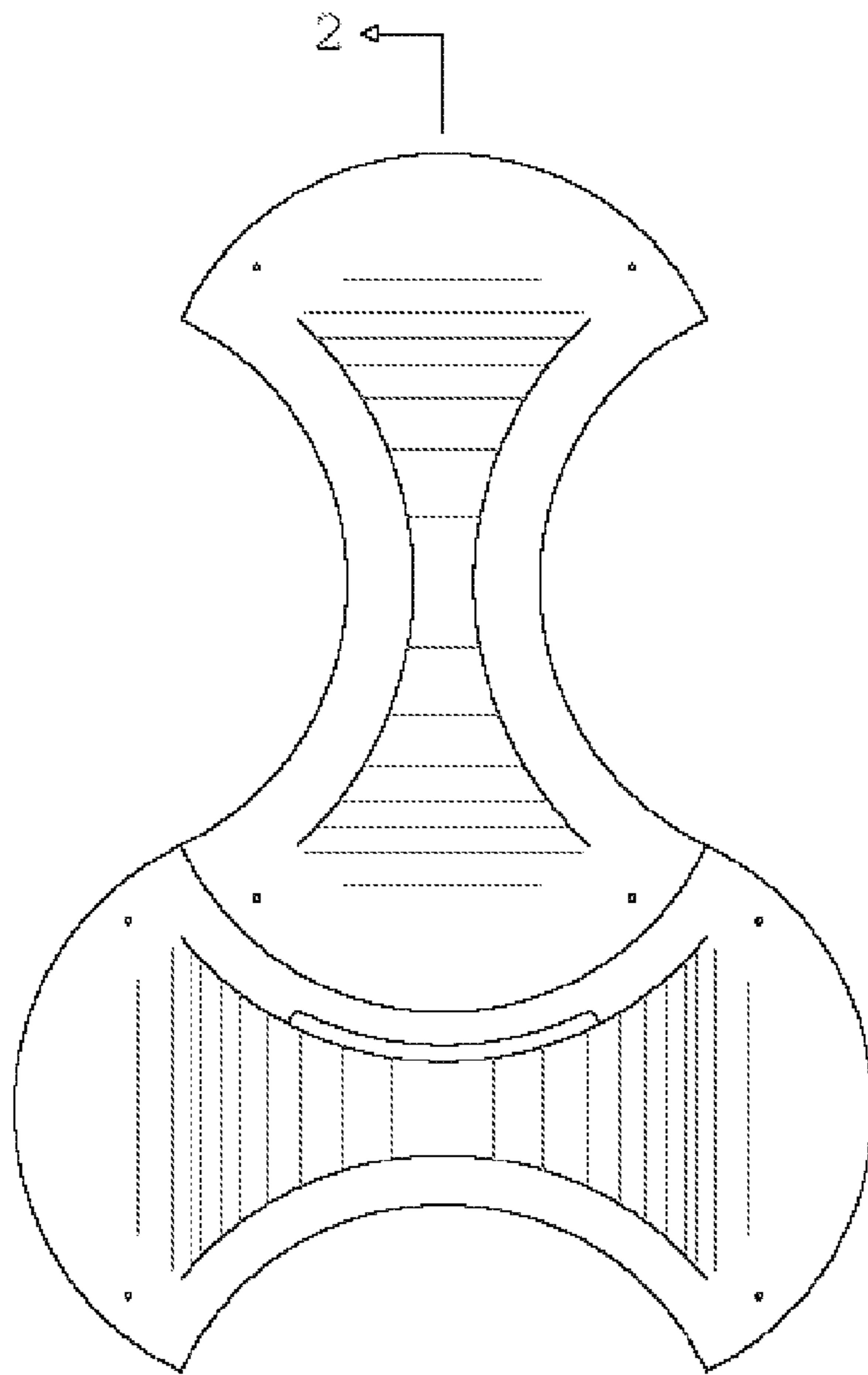


FIG. 1

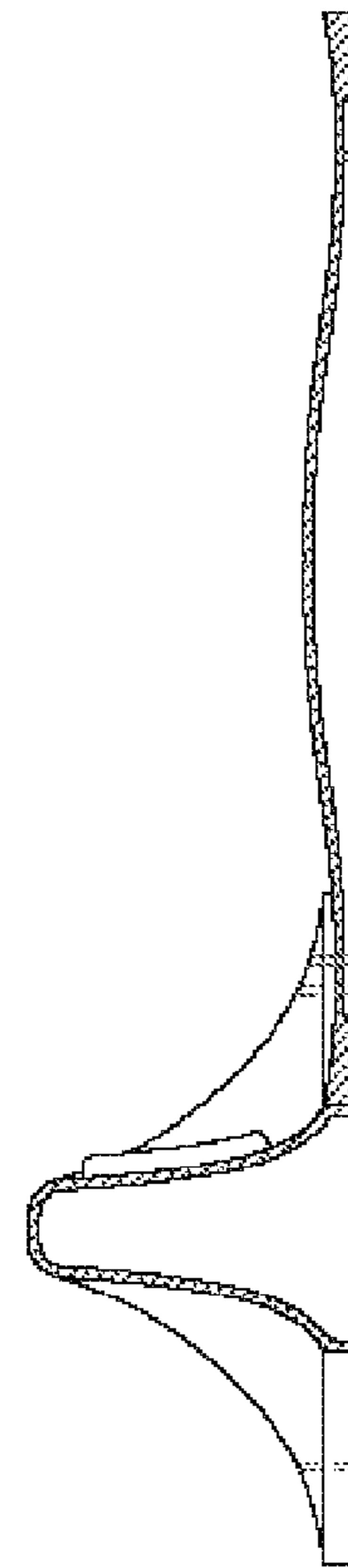
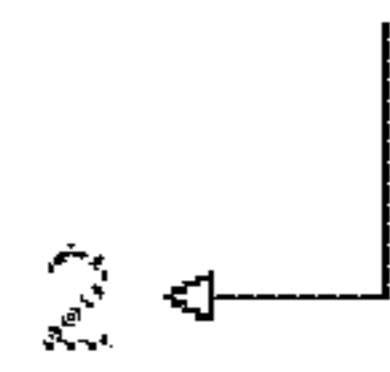


FIG. 2

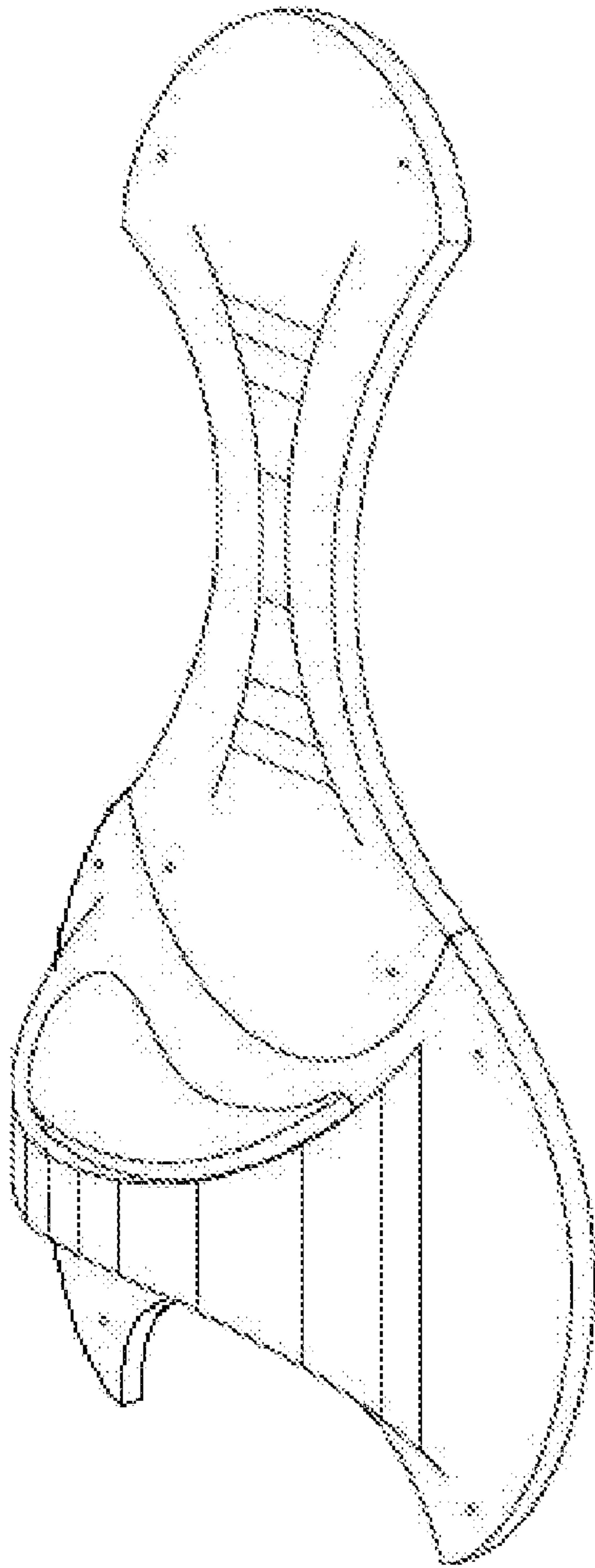


FIG. 3

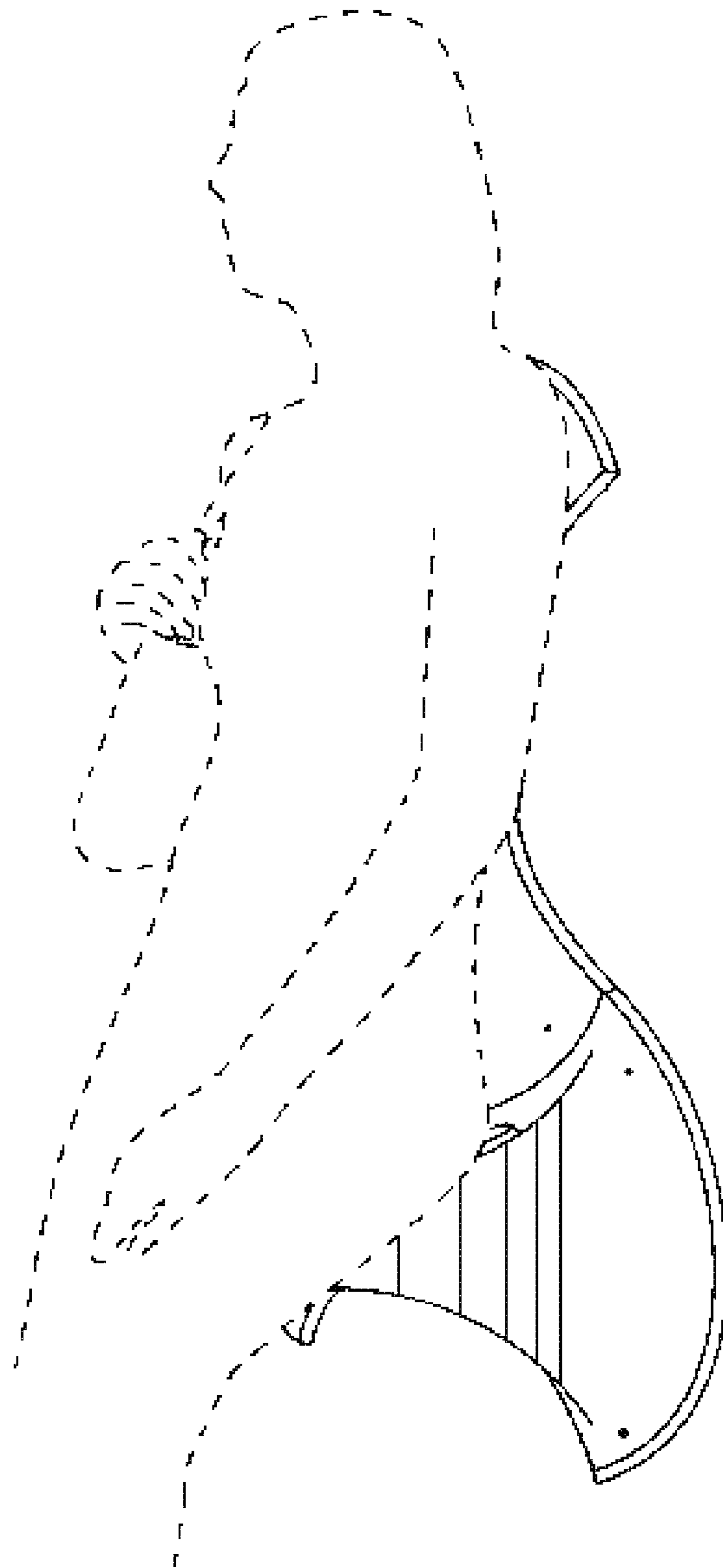


FIG. 4

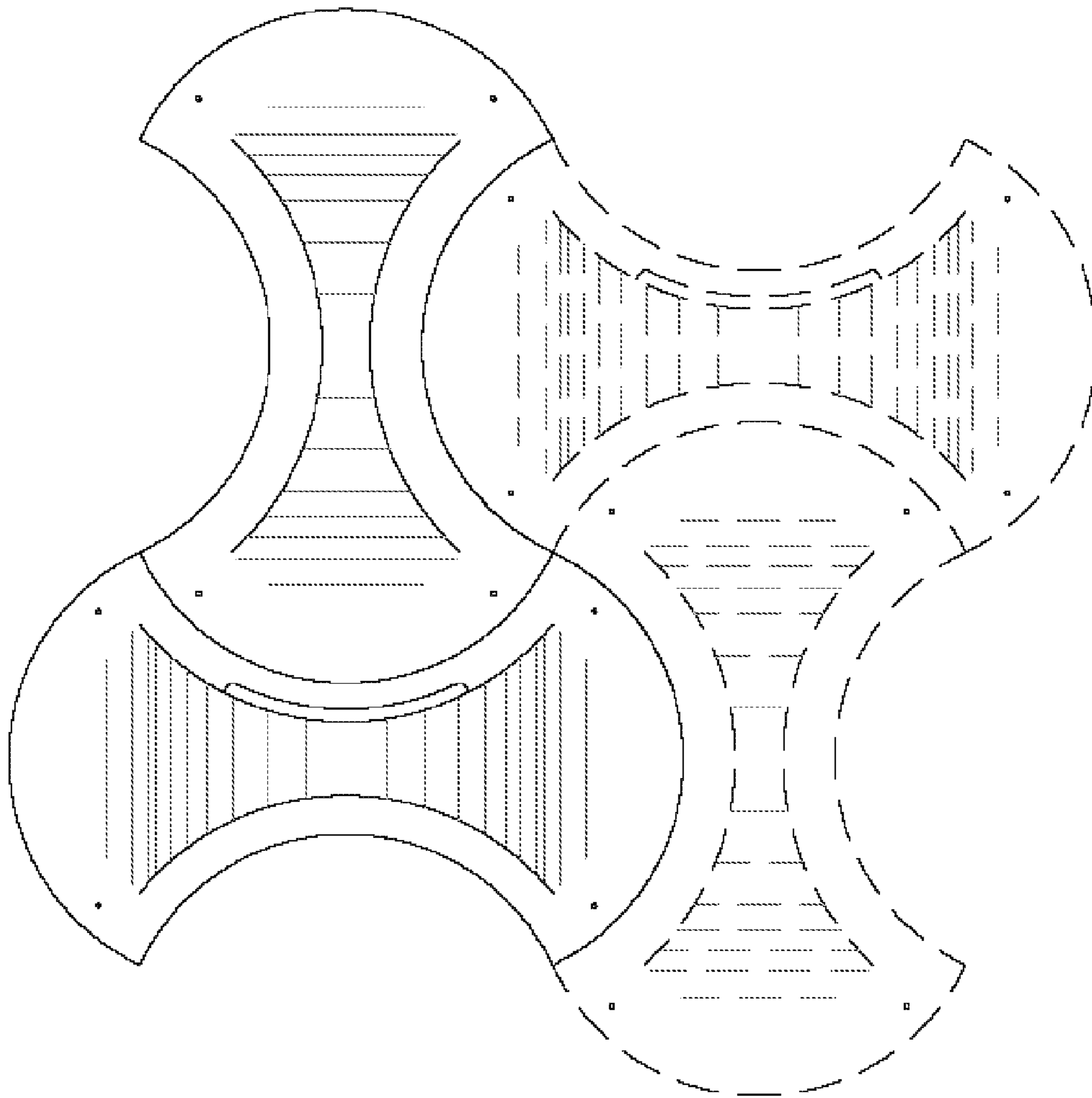
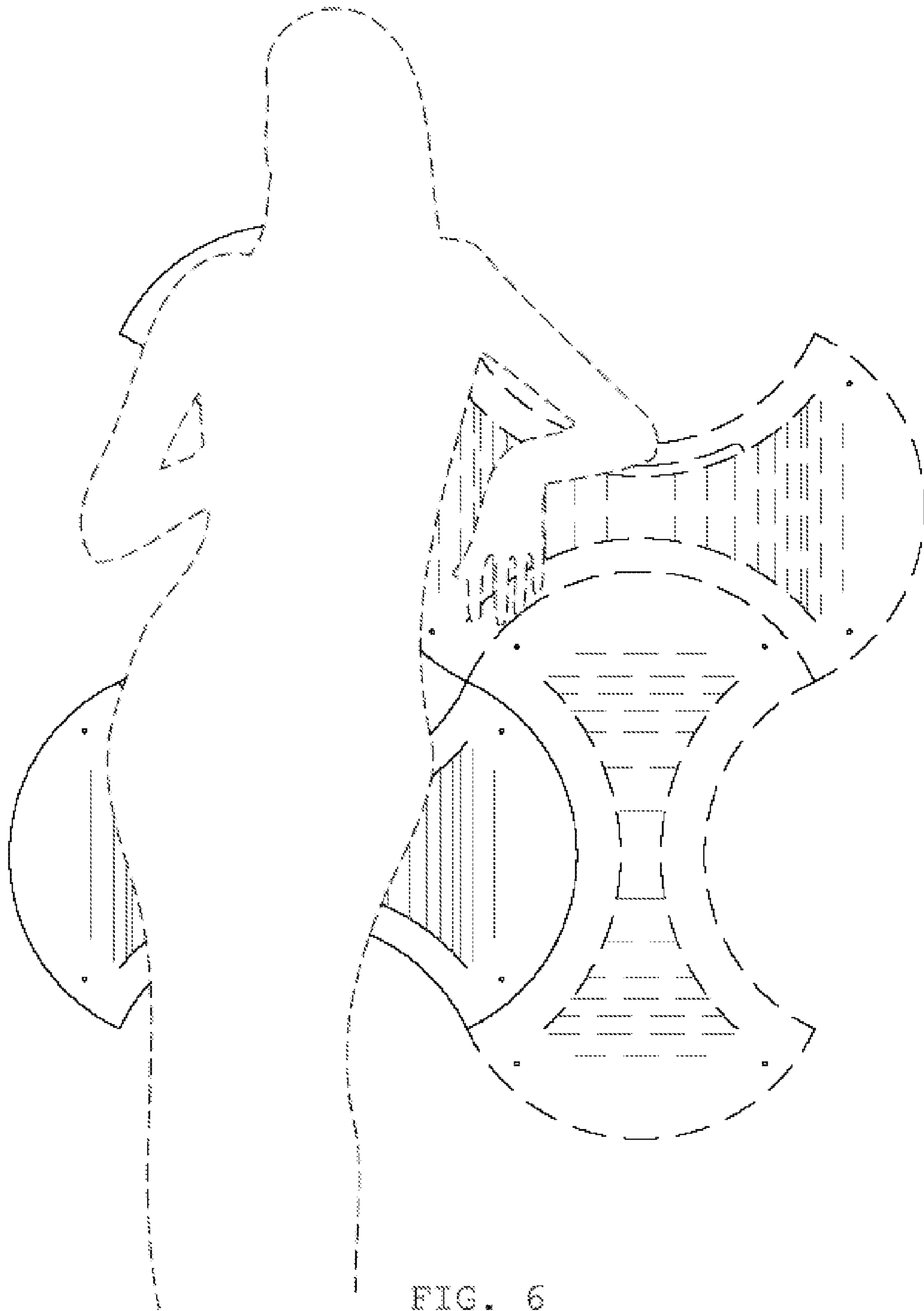


FIG. 5



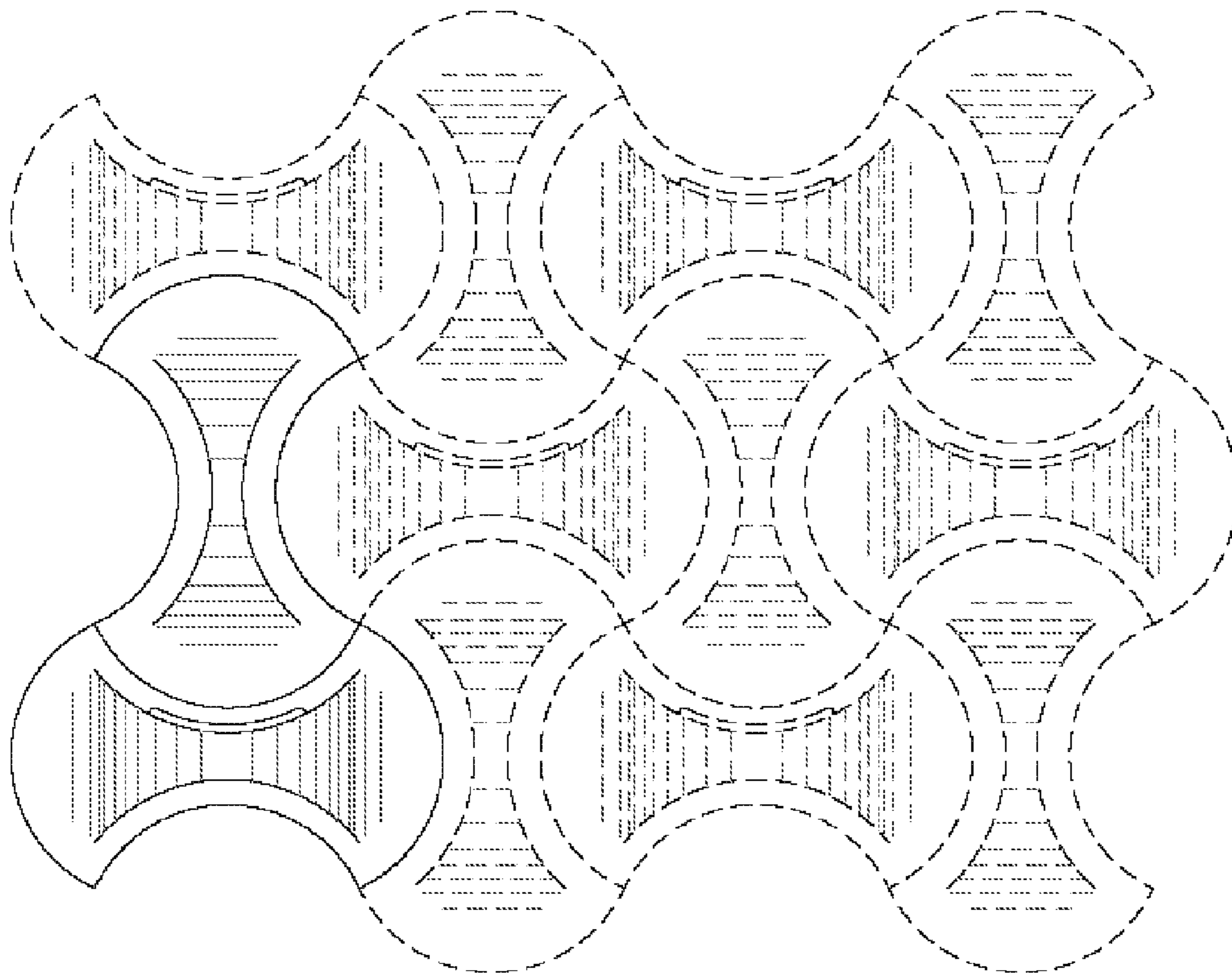


FIG. 7