



US00D567519S

(12) **United States Design Patent**  
**Lucci et al.**

(10) **Patent No.:** **US D567,519 S**  
(45) **Date of Patent:** **\*\* Apr. 29, 2008**

(54) **SEATING ARRANGEMENT**

(75) Inventors: **Roberto Lucci**, Lomazzo (IT); **Paolo Orlandini**, Sedriano (IT)

(73) Assignee: **LAMM S.p.A.**, Parma (IT)

(\*\*) Term: **14 Years**

(21) Appl. No.: **29/268,570**

(22) Filed: **Nov. 10, 2006**

(30) **Foreign Application Priority Data**

May 17, 2006 (EM) ..... 000531082-0001/0006

(51) **LOC (8) Cl.** ..... **06-01**

(52) **U.S. Cl.** ..... **D6/336**

(58) **Field of Classification Search** ..... D6/334-338,  
D6/349, 355, 363, 364, 369-370, 381, 491,  
D6/500-502, 509, 511, 601; 297/16.1-16.2,  
297/116, 135, 154, 187, 158.3, 158.4, 158.5,  
297/184.1, 232, 244, 411.37, 440.1, 445.1;  
5/12.1, 655.3

See application file for complete search history.

(56) **References Cited**

**U.S. PATENT DOCUMENTS**

- 3,567,278 A \* 3/1971 Barecki et al. .... 297/218.1
- D225,494 S \* 12/1972 Ahrens ..... D6/362
- D253,859 S \* 1/1980 Hosoe ..... D6/372
- 4,500,137 A \* 2/1985 Morehouse ..... 297/452.21
- 5,029,941 A \* 7/1991 Twisselmann ..... 297/411.38
- 5,054,852 A \* 10/1991 Tholkes ..... 297/172
- D347,330 S \* 5/1994 Kinsman ..... D6/334
- D350,649 S \* 9/1994 Rozum ..... D6/335
- D406,195 S \* 3/1999 Gamberini ..... D6/341
- D407,584 S \* 4/1999 Haney et al. .... D6/500
- 5,893,607 A \* 4/1999 Trimmell ..... 297/170
- D419,314 S \* 1/2000 Saul ..... D6/336
- D425,321 S \* 5/2000 Tholkes et al. .... D6/338
- D426,967 S \* 6/2000 King ..... D6/368
- D445,574 S \* 7/2001 Foster ..... D6/336

- D448,189 S \* 9/2001 Jahn ..... D6/374
- D449,171 S \* 10/2001 Kyle ..... D6/364
- D475,207 S \* 6/2003 Bohl et al. .... D6/338
- D498,077 S \* 11/2004 Tonizzo ..... D6/381
- D505,022 S \* 5/2005 Mills et al. .... D6/338
- D507,890 S \* 8/2005 Mills et al. .... D6/336
- D521,751 S \* 5/2006 Glass et al. .... D6/338
- D530,106 S \* 10/2006 Van Erum et al. .... D6/338
- D530,528 S \* 10/2006 Van Erum et al. .... D6/336

\* cited by examiner

*Primary Examiner*—Sandra Snapp

(74) *Attorney, Agent, or Firm*—Ladas & Parry LLP

(57) **CLAIM**

The ornamental design for the seating arrangement, as shown and described.

**DESCRIPTION**

FIG. 1 is a first side perspective view of a first embodiment of the seating arrangement, with all support elements in front of a seat in a rest condition.

FIG. 2 is a second side perspective view of the arrangement of FIG. 1.

FIG. 3 is a third side perspective view of the arrangement of FIG. 1.

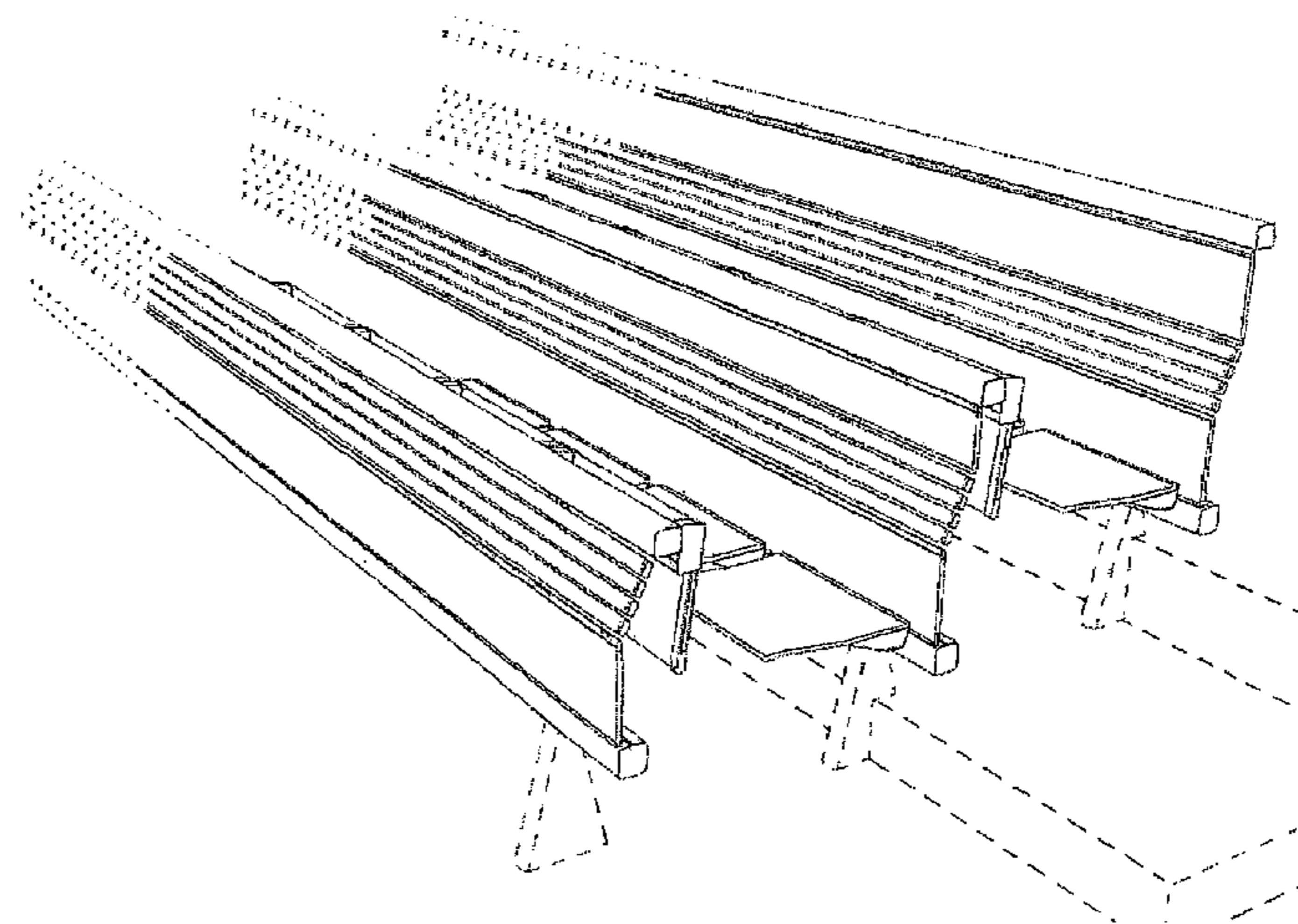
FIG. 4 is a rear perspective view of a second embodiment of the seating arrangement, with all support elements in an upright condition.

FIG. 5 is a front perspective view of the arrangement of FIG. 4; and,

FIG. 6 is a side perspective view of the arrangement of FIG. 4.

Any support element can be in an upright condition or rest condition independently of other support elements. The broken lines in the figures are for environmental purposes only and form no part of the claimed design.

**1 Claim, 3 Drawing Sheets**



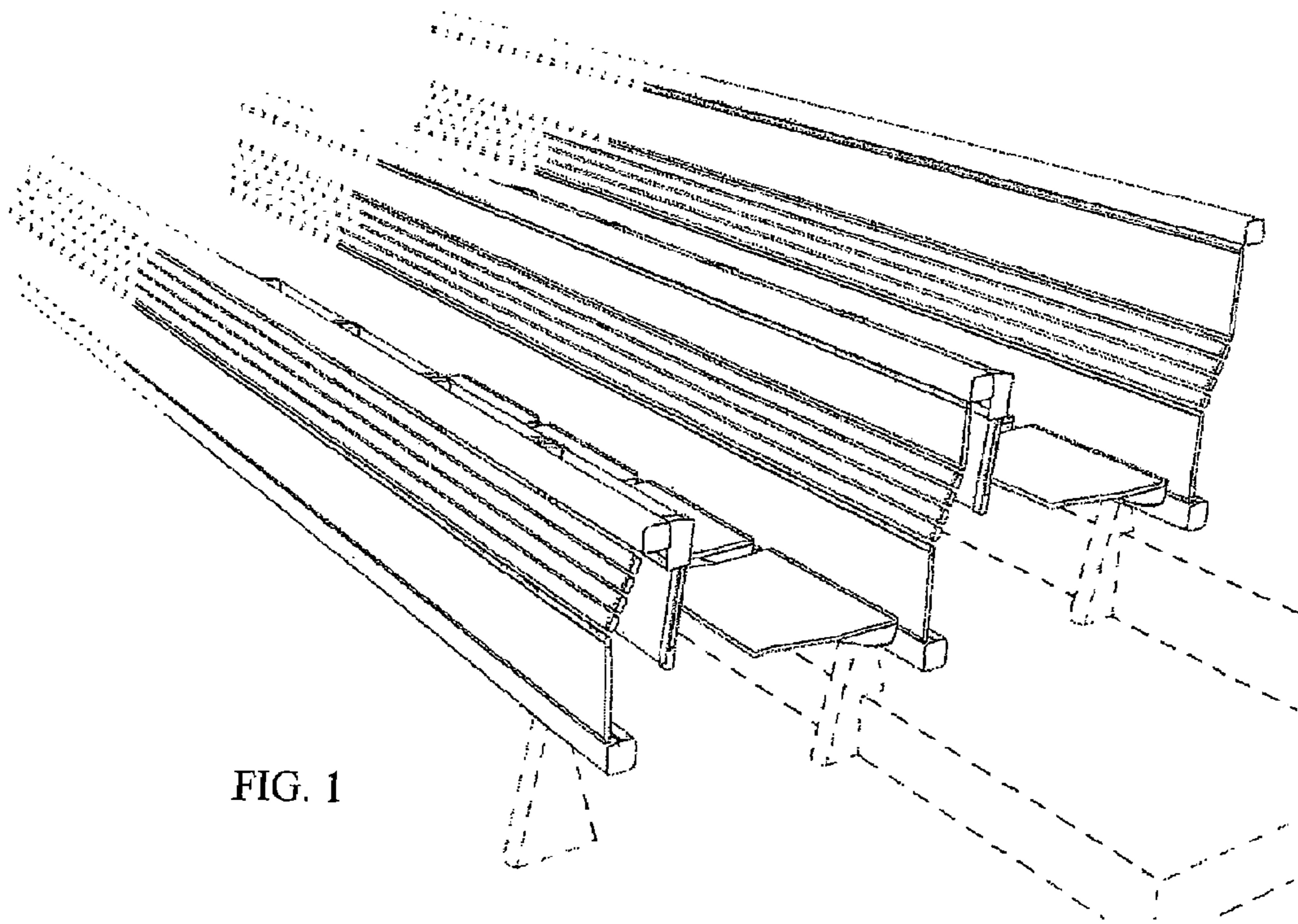


FIG. 1

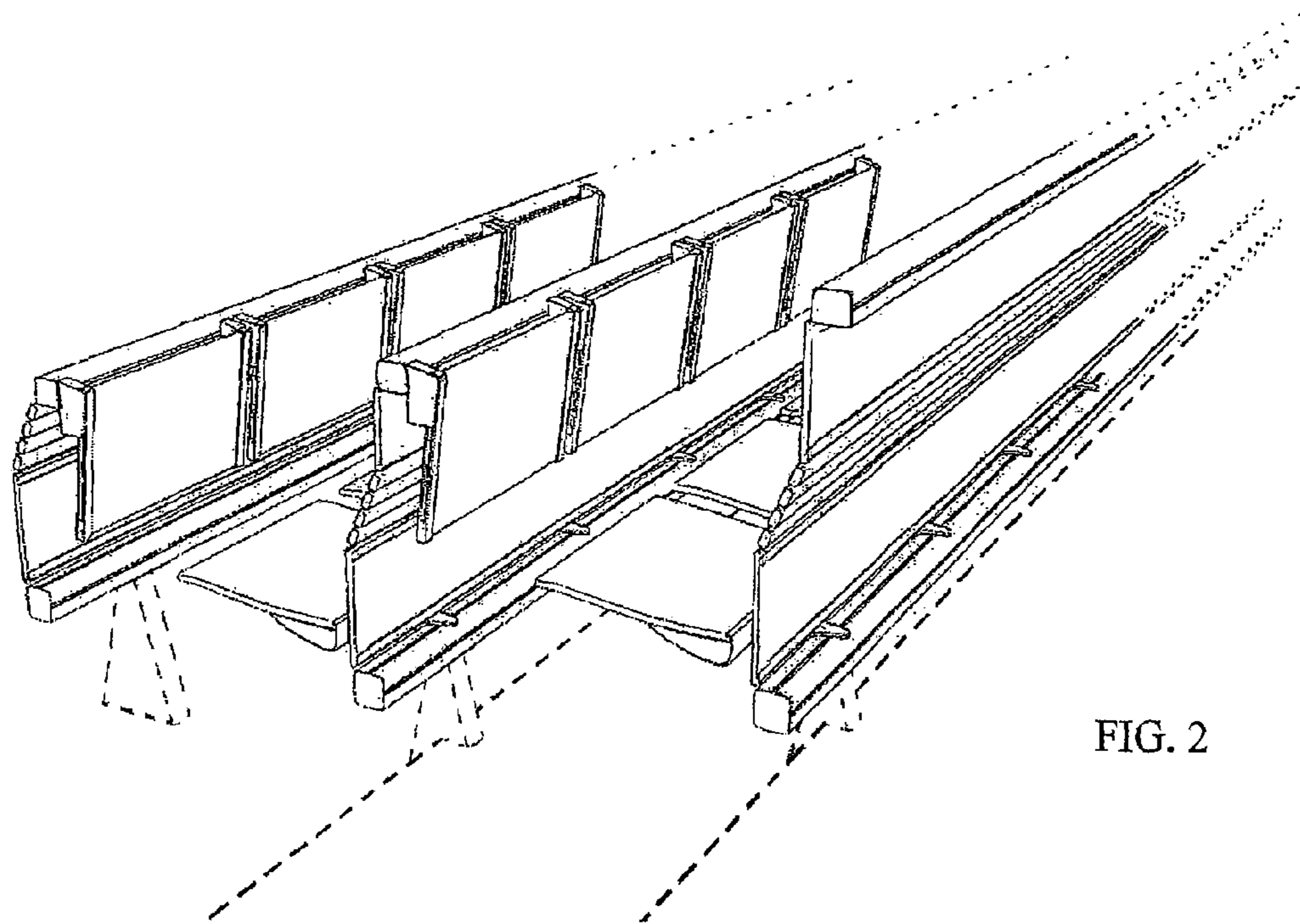


FIG. 2

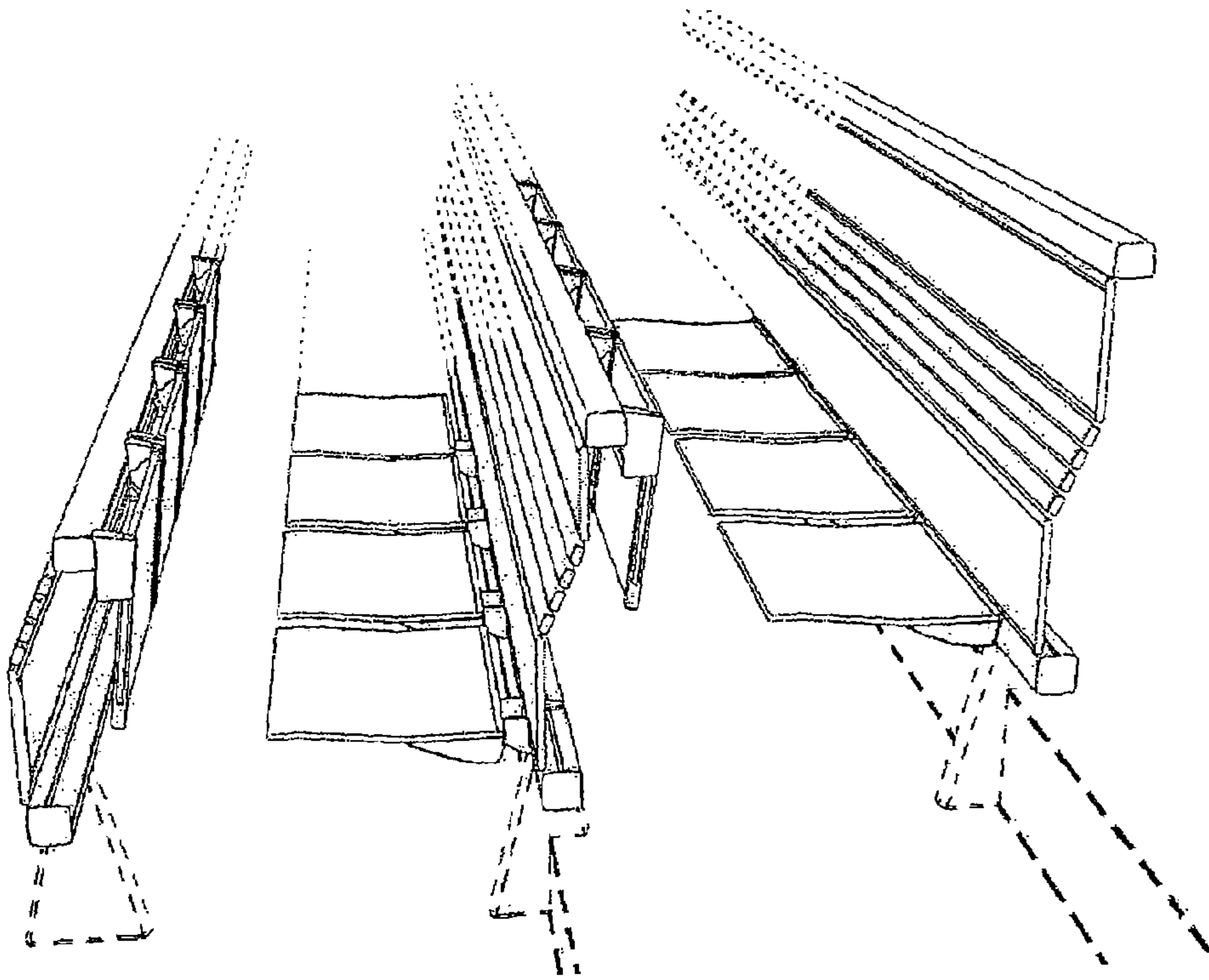


FIG. 3

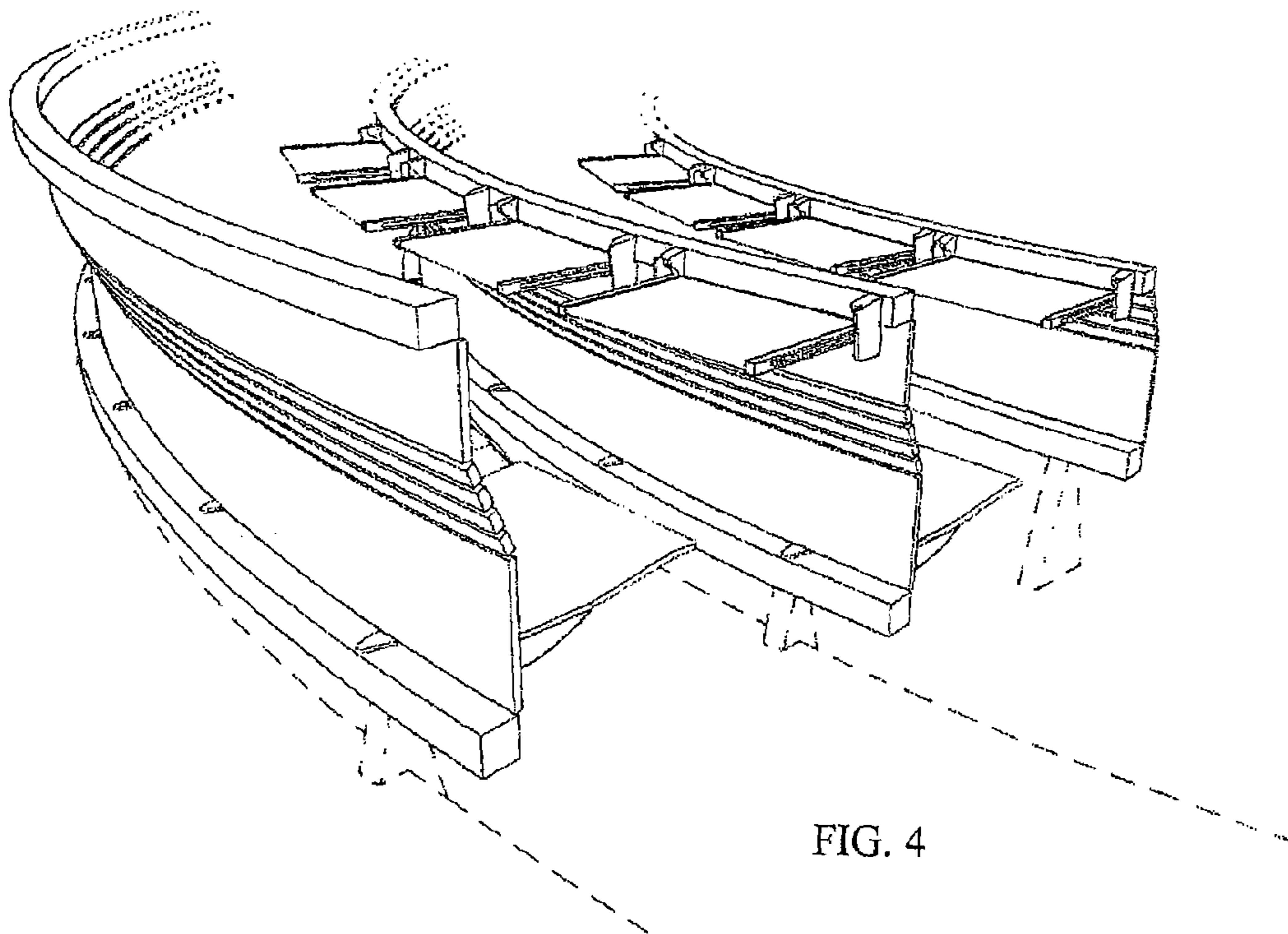


FIG. 4

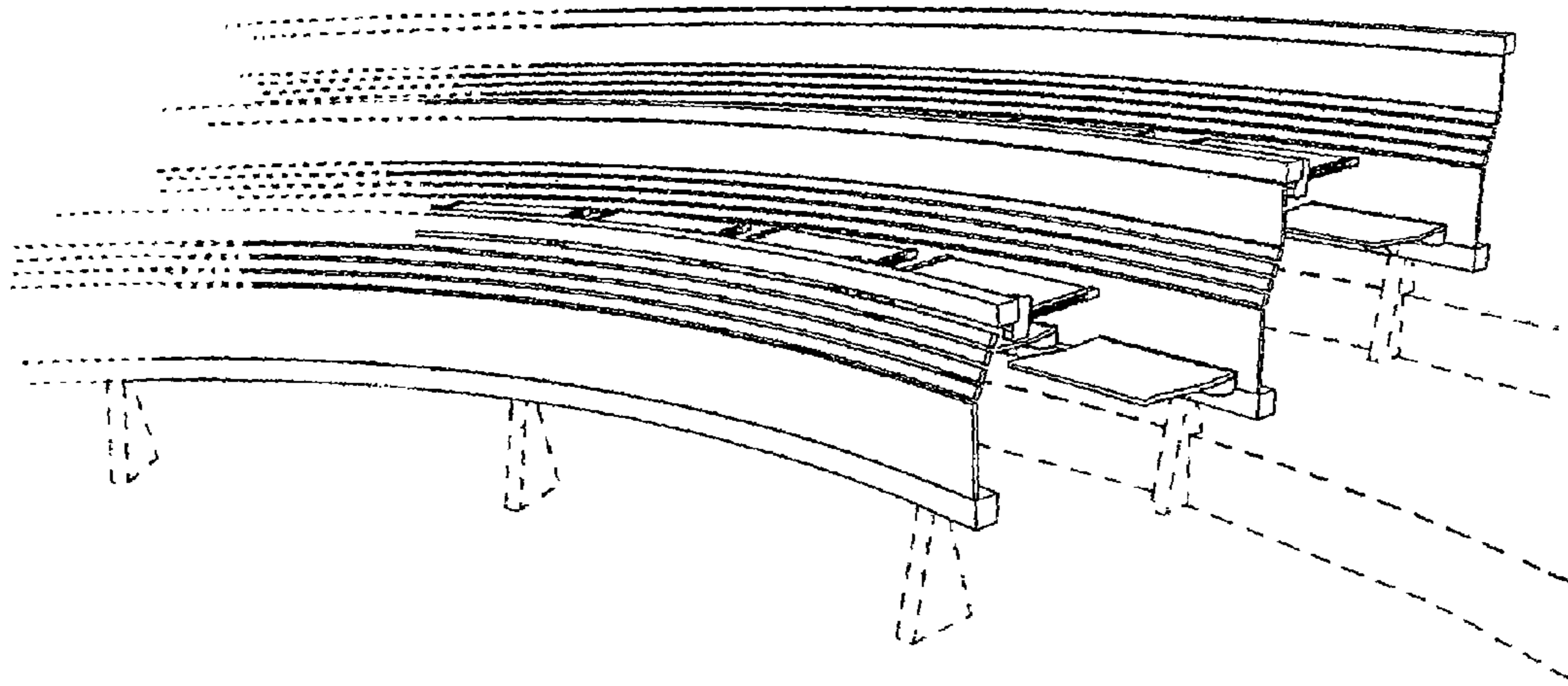


FIG. 5

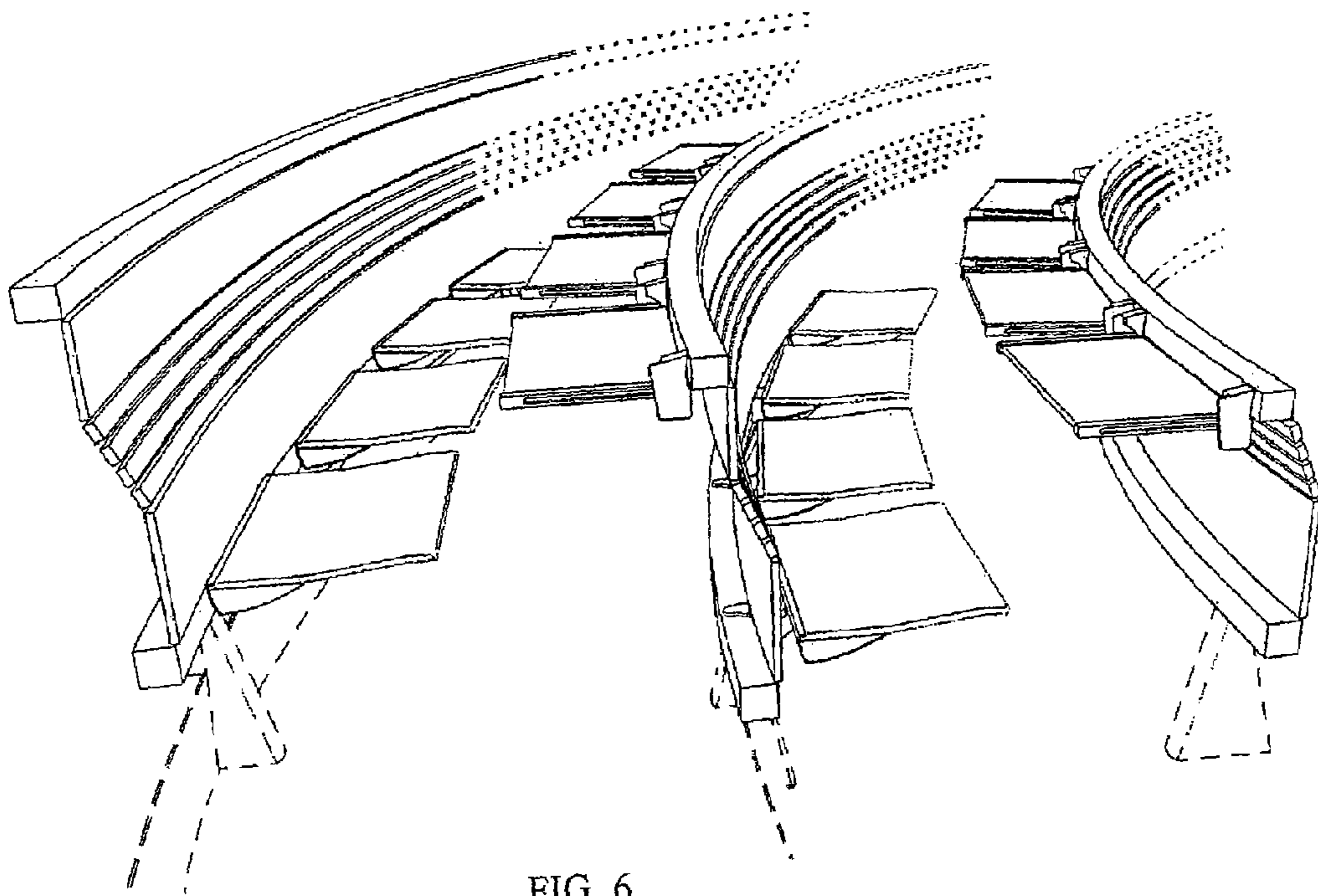


FIG. 6