



US00D567515S

(12) **United States Design Patent**
Foreman

(10) **Patent No.:** **US D567,515 S**

(45) **Date of Patent:** **** Apr. 29, 2008**

(54) **GARMENT HANGER**

(76) **Inventor:** **Scott Foreman**, 43379 N. Vista Hills,
Anthem, AZ (US) 85086

(**) **Term:** **14 Years**

(21) **Appl. No.:** **29/250,008**

(22) **Filed:** **Oct. 30, 2006**

(51) **LOC (8) Cl.** **06-08**

(52) **U.S. Cl.** **D6/319**

(58) **Field of Classification Search** D6/315,
D6/317, 318, 319, 324, 326, 327; 223/85-98;
211/13.1, 85.3; 248/317

See application file for complete search history.

(56) **References Cited**

U.S. PATENT DOCUMENTS

1,867,614	A *	7/1932	Cuscaden	223/88
2,250,245	A *	7/1941	Angove	223/88
2,886,223	A *	5/1959	Levin	223/91
3,480,245	A *	11/1969	Gingher	248/317
3,651,999	A *	3/1972	Fiocca	223/88
D301,941	S *	7/1989	Weckstein et al.	D6/319
5,137,191	A *	8/1992	Blanchard et al.	223/88
5,645,200	A *	7/1997	McDowell et al.	223/89

D432,317	S *	10/2000	Graham	D6/318
D502,327	S *	3/2005	Greiner	D6/319
D510,814	S *	10/2005	Schultz et al.	D6/318
6,962,276	B2 *	11/2005	Fradkin	223/88
2005/0061839	A1 *	3/2005	Fradkin	223/88

* cited by examiner

Primary Examiner—Stella Reid

Assistant Examiner—Shanda C. Hill

(74) *Attorney, Agent, or Firm*—Jeffrey D. Moy; Weiss & Moy, P.C.

(57) **CLAIM**

The ornamental design for a garment hanger, as shown and described.

DESCRIPTION

FIG. 1 is front view of the garment hanger showing my new design;

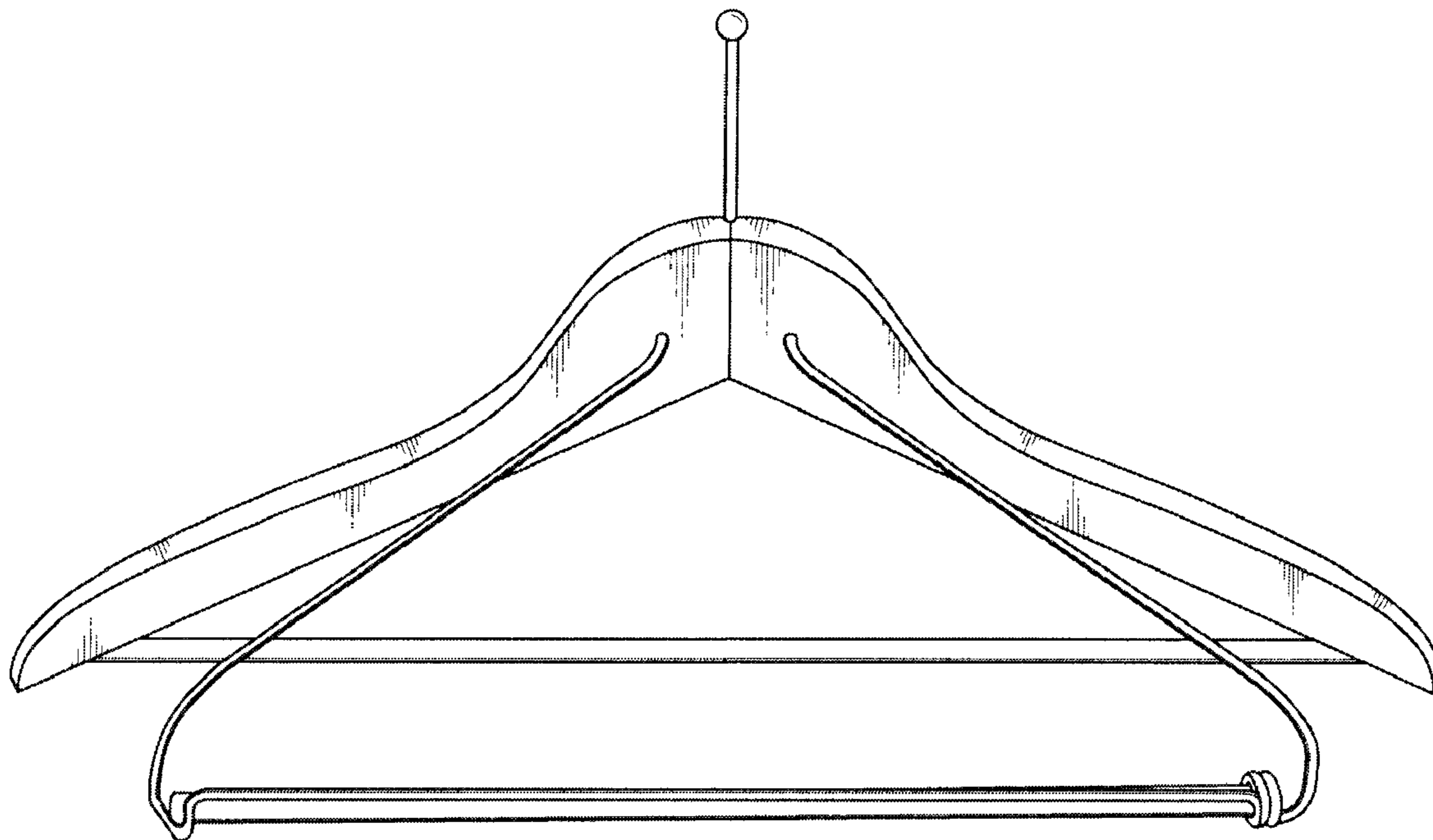
FIG. 2 is a top view thereof;

FIG. 3 is a bottom view thereof;

FIG. 4 is a first side view thereof; and,

FIG. 5 is a second side view thereof.

1 Claim, 2 Drawing Sheets



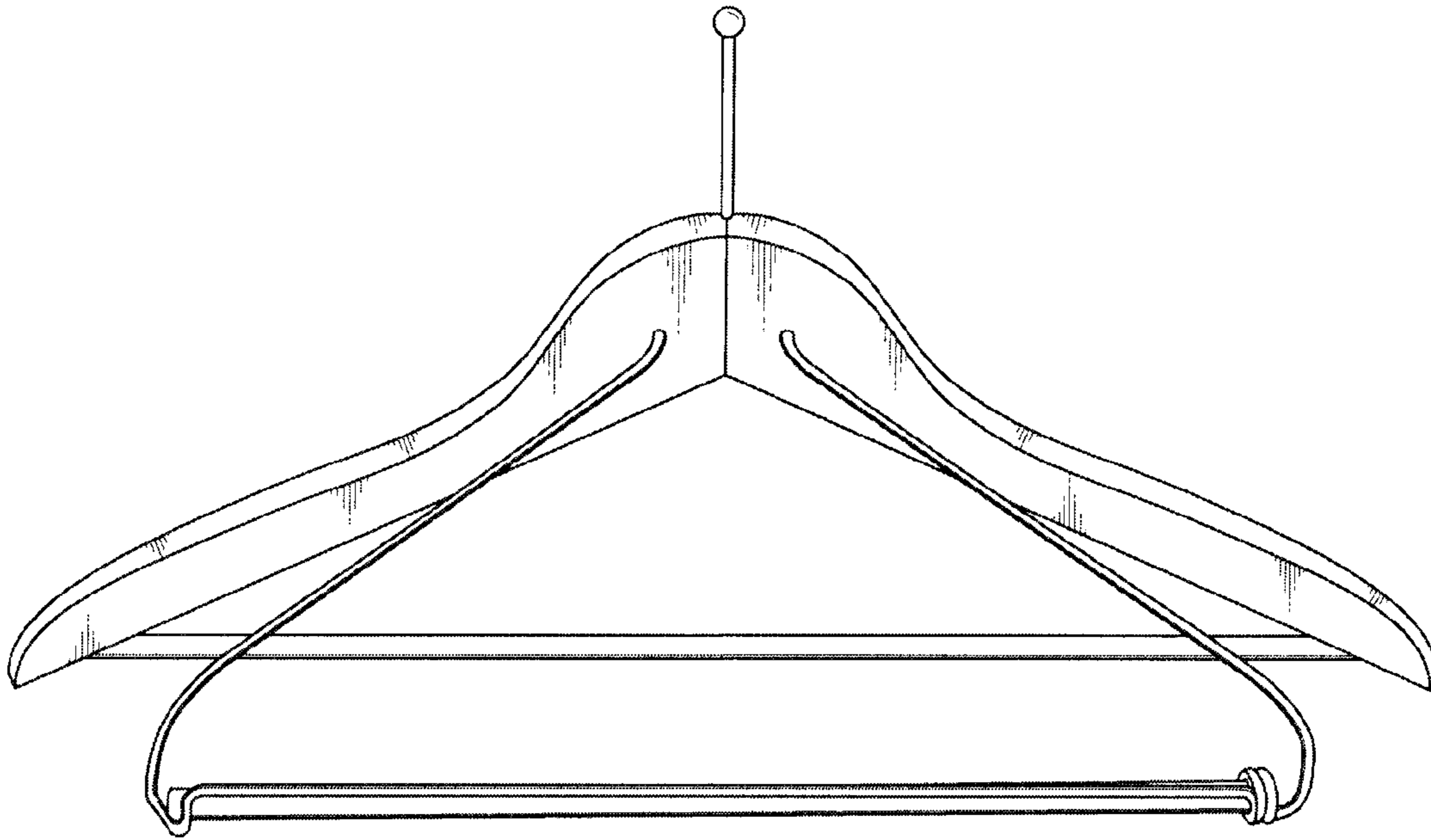


Fig. 1

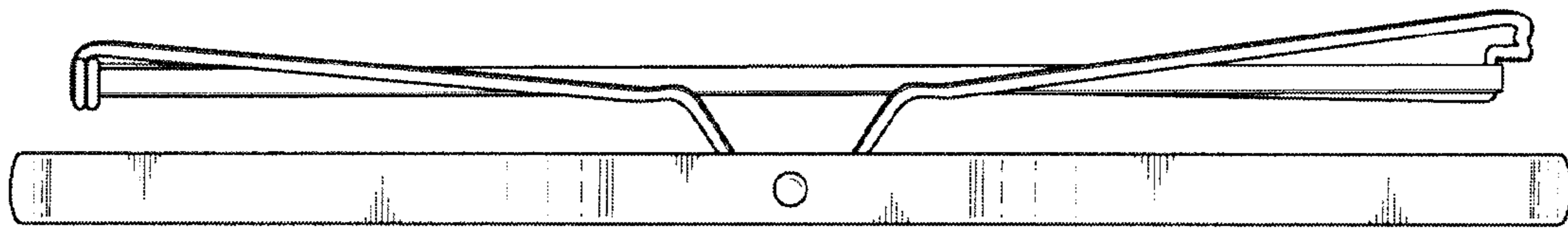


Fig. 2

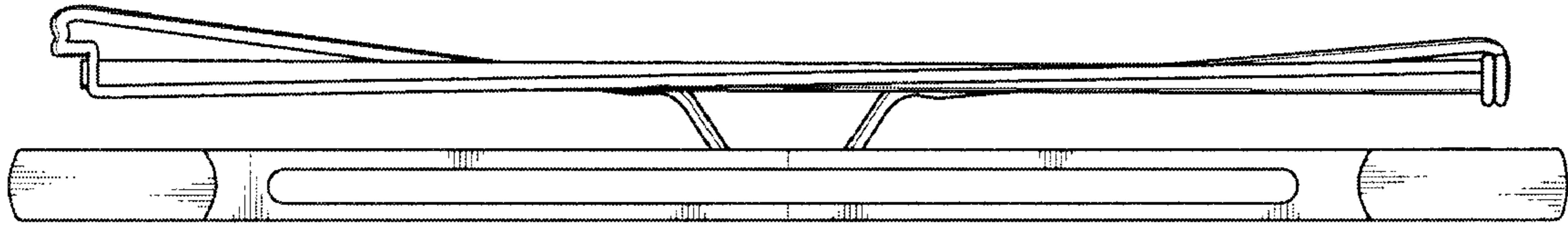


Fig. 3

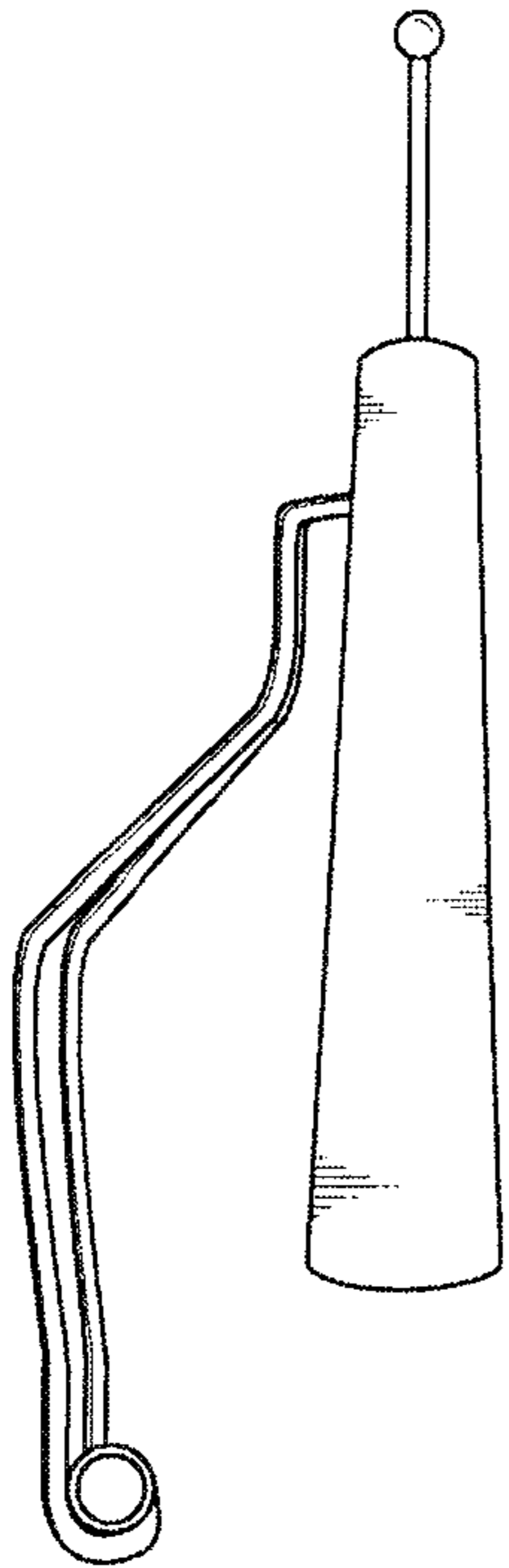


Fig. 4

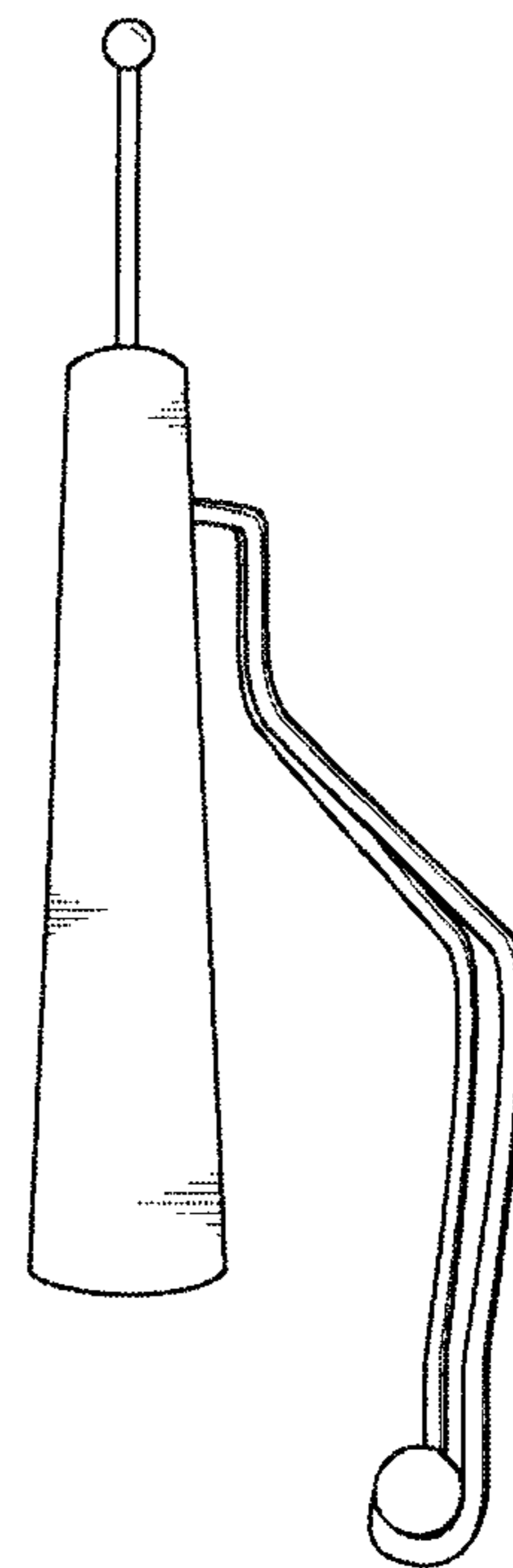


Fig. 5