

US00D567514S

(12) **United States Design Patent**
Svendsen et al.

(10) **Patent No.:** **US D567,514 S**

(45) **Date of Patent:** **** Apr. 29, 2008**

(54) **MIRROR**

(75) Inventors: **Sean Svendsen**, Woodridge, IL (US);
Sherry Jones, Woodridge, IL (US);
Michael Painter, Woodridge, IL (US)

(73) Assignee: **Globe Union Industrial Corp.**,
Taichung (TW)

(**) Term: **14 Years**

(21) Appl. No.: **29/280,319**

(22) Filed: **May 24, 2007**

(51) **LOC (8) Cl.** **06-04**

(52) **U.S. Cl.** **D6/300**

(58) **Field of Classification Search** D6/300-314;
40/700, 711, 702, 714, 717, 716, 722, 735,
40/739, 743, 746, 765, 780, 790, 798
See application file for complete search history.

(56) **References Cited**

U.S. PATENT DOCUMENTS

D413,023 S * 8/1999 Zaidman D6/300
D437,693 S * 2/2001 Harwanko D6/300

D441,545 S * 5/2001 Ungaro D6/300
D505,794 S * 6/2005 Mohundro D6/300
D518,651 S * 4/2006 Mayer D6/300
D526,490 S * 8/2006 Bruce D6/300

* cited by examiner

Primary Examiner—Caron D. Veynar

Assistant Examiner—Sydney R Buffalow

(74) *Attorney, Agent, or Firm*—Leong C. Lei

(57) **CLAIM**

The ornamental design for a mirror, as shown and described.

DESCRIPTION

FIG. 1 is a perspective view of a mirror showing my new design;

FIG. 2 is a front elevational view thereof;

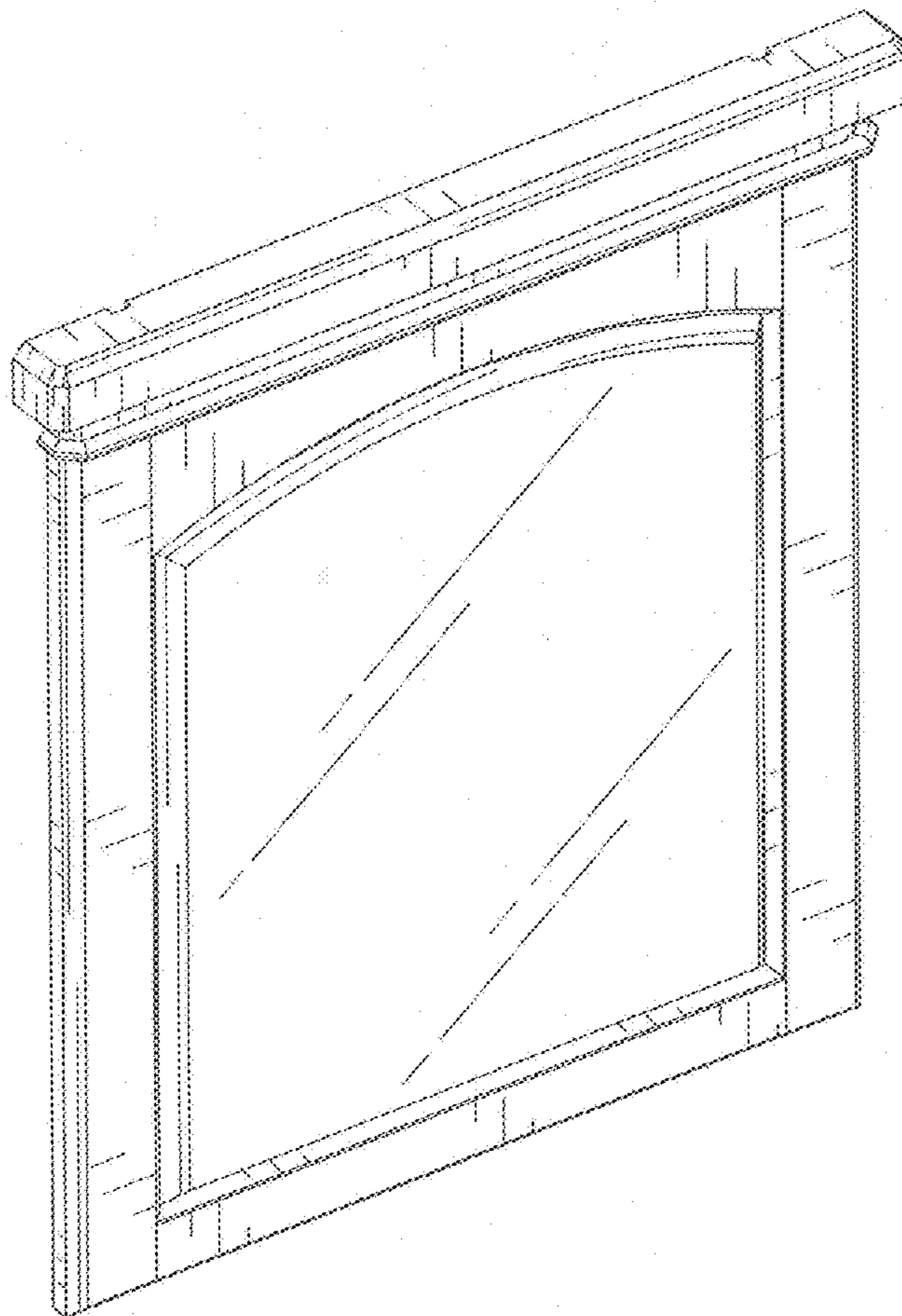
FIG. 3 is a rear elevational view thereof;

FIG. 4 is a left side elevational view thereof;

FIG. 5 is a right side elevational view thereof; and,

FIG. 6 is a top plan view thereof.

1 Claim, 6 Drawing Sheets



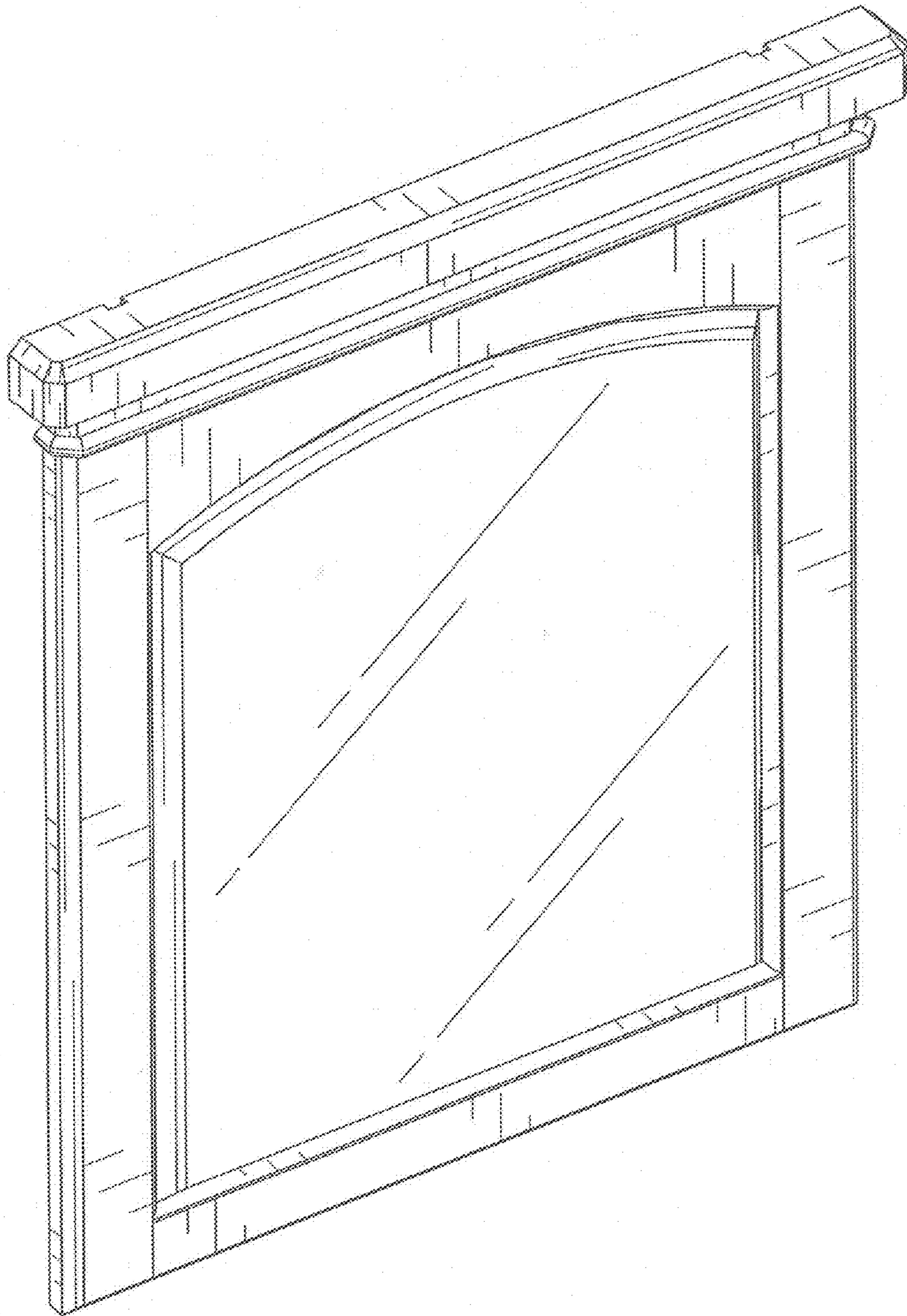


FIG. 1

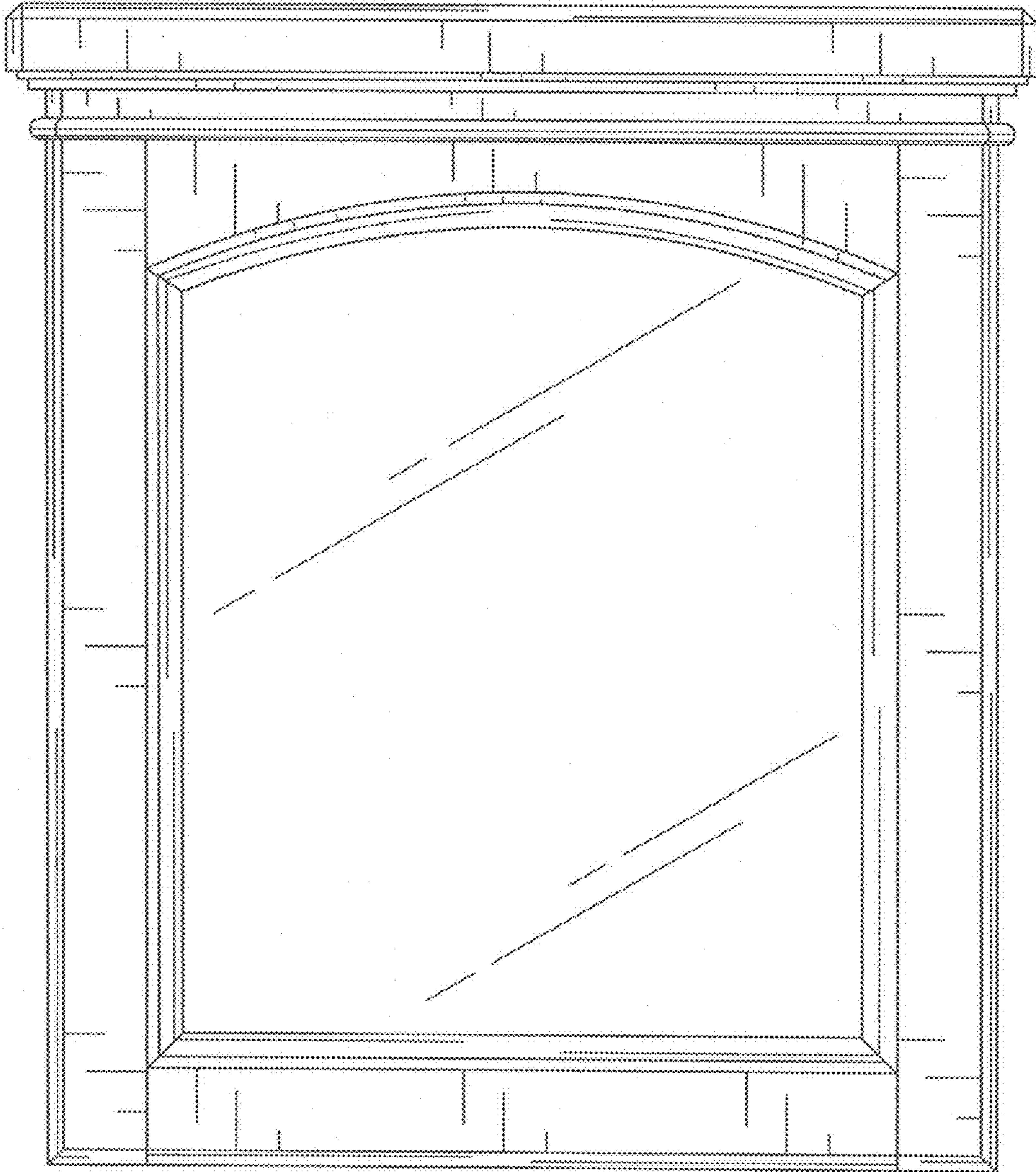


FIG. 2

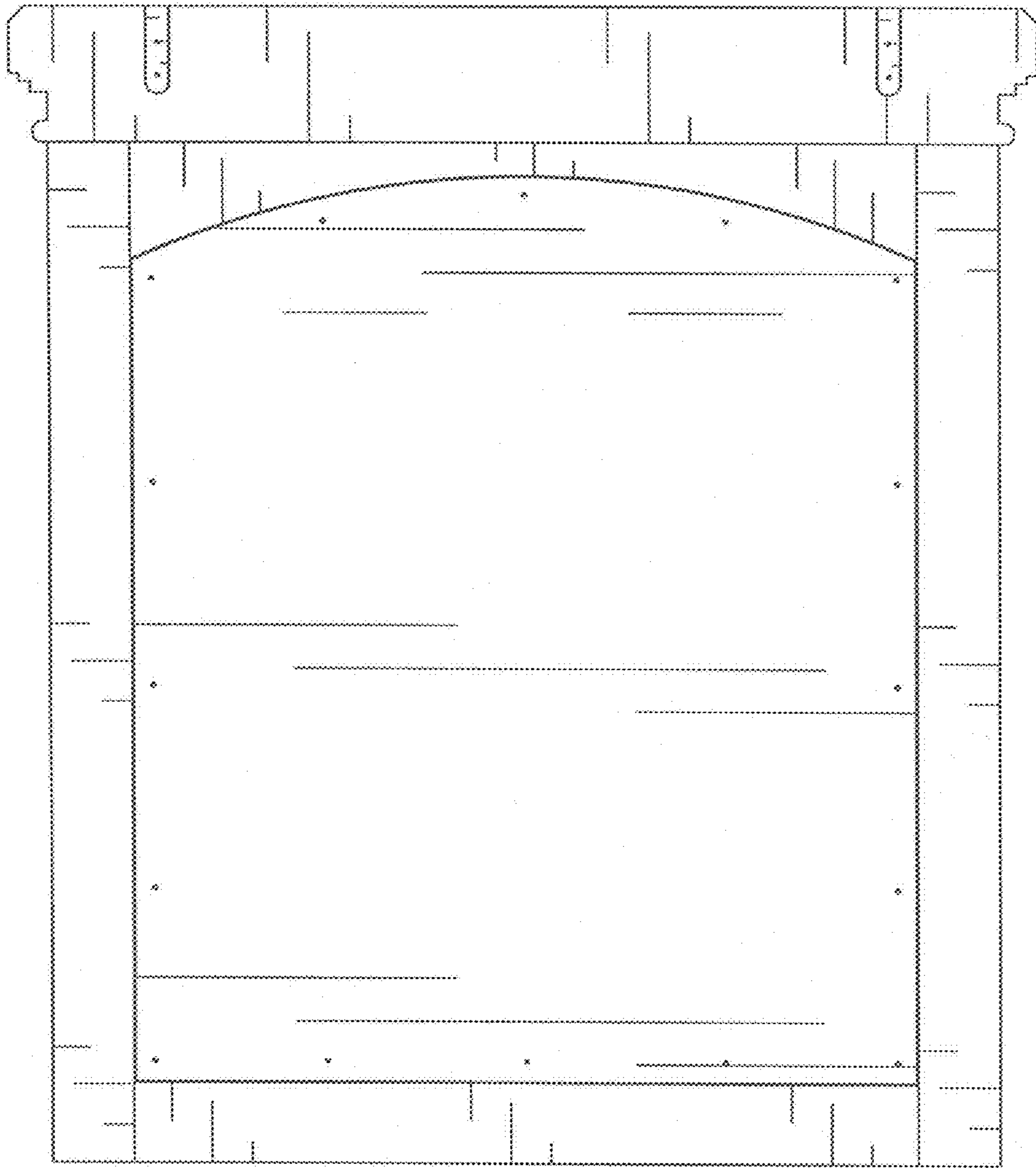


FIG. 3

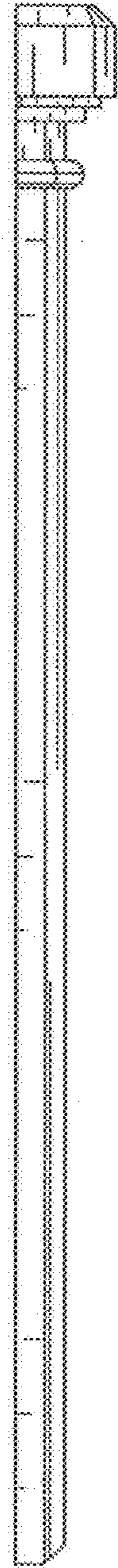


FIG. 4

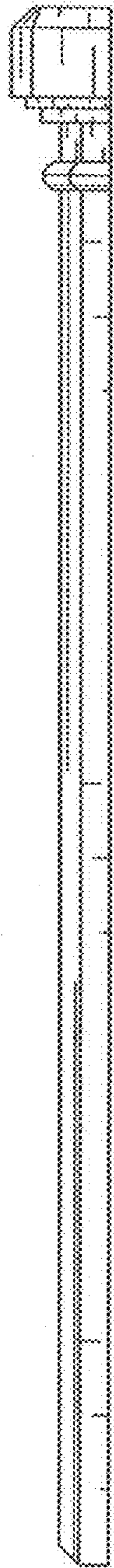


FIG. 5

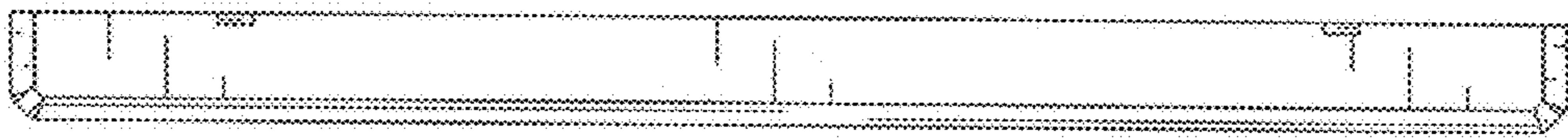


FIG. 6