



US00D567513S

(12) **United States Design Patent**
Fang et al.

(10) **Patent No.:** **US D567,513 S**

(45) **Date of Patent:** **** Apr. 29, 2008**

(54) **DIGITAL PICTURE FRAME**

(75) Inventors: **Tin-Ni Fang**, Tu-Cheng (TW);
Ching-Chi Liu, Taipei (TW)

(73) Assignee: **Universal Scientific Industrial Co., Ltd.**, Nan-Tou Hsien (TW)

(**) Term: **14 Years**

(21) Appl. No.: **29/279,263**

(22) Filed: **Apr. 25, 2007**

(51) **LOC (8) Cl.** **06-07**

(52) **U.S. Cl.** **D6/300; D14/496**

(58) **Field of Classification Search** D6/300-314;
40/700, 768, 717, 714; D14/371, 372, 448,
D14/449, 450, 374, 381, 382, 336, 337, 250,
D14/146, 341, 496, 345, 129, 114; D20/10,
D20/42; D10/24, 75, 2; D16/225; D18/19
See application file for complete search history.

(56) **References Cited**

U.S. PATENT DOCUMENTS

- 3,254,927 A * 6/1966 Harvey 312/9.9
- D309,920 S * 8/1990 Malinovsky D20/42
- D311,214 S * 10/1990 Malinovsky D20/42
- D335,963 S * 6/1993 Tracey D6/310
- D393,854 S * 4/1998 Harrison et al. D14/129
- D394,650 S * 5/1998 Hirokawa D14/129

- D423,481 S * 4/2000 Geremia D14/450
- D423,546 S * 4/2000 Wilson et al. D16/225
- D451,290 S * 12/2001 Allen D6/300
- D461,842 S * 8/2002 Hattori D18/19
- D536,337 S * 2/2007 Chuang D14/336

* cited by examiner

Primary Examiner—Caron D. Veynar

Assistant Examiner—Sydney R. Buffalow

(74) *Attorney, Agent, or Firm*—Akin Gump Strauss Hauer & Feld LLP

(57) **CLAIM**

The ornamental design for a digital picture frame, as shown and described.

DESCRIPTION

FIG. 1 is a perspective view of digital picture frame showing my new design;

FIG. 2 is a front elevational view thereof;

FIG. 3 is a rear elevational view thereof;

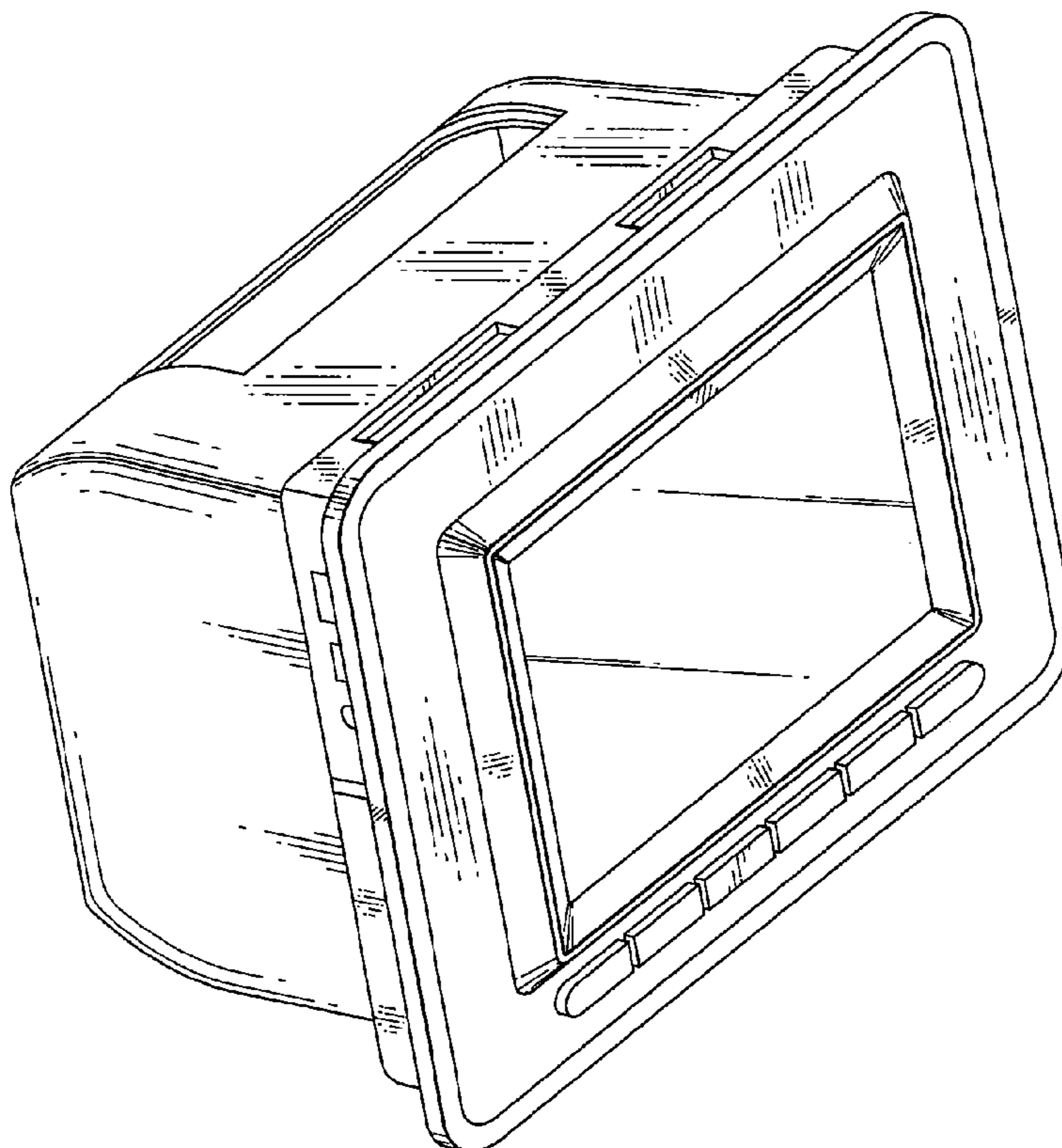
FIG. 4 is a left side elevational view thereof;

FIG. 5 is a right side elevational view thereof;

FIG. 6 is a top plan view thereof; and,

FIG. 7 is a bottom plan view thereof.

1 Claim, 4 Drawing Sheets



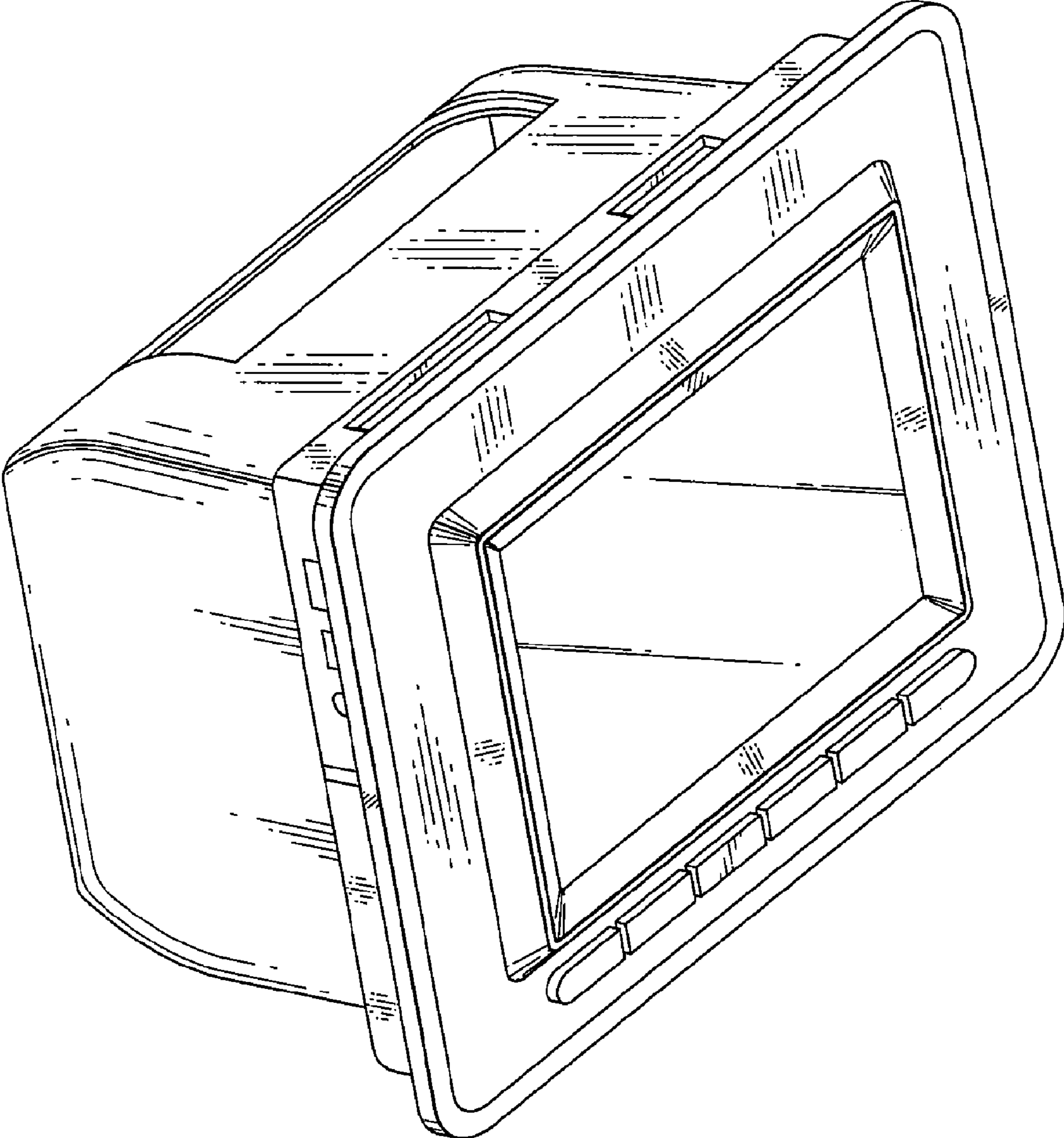


FIG. 1

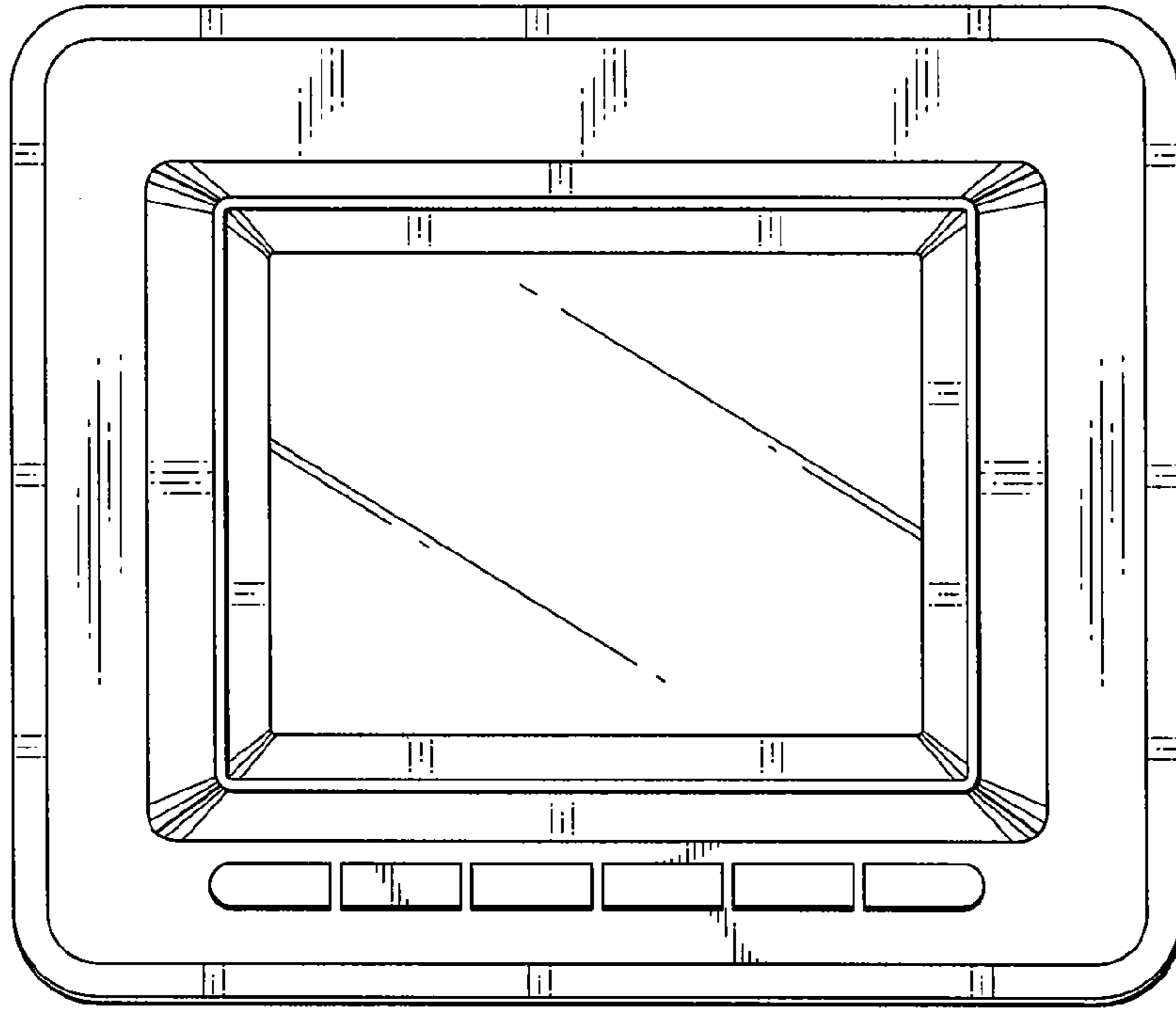


FIG. 2

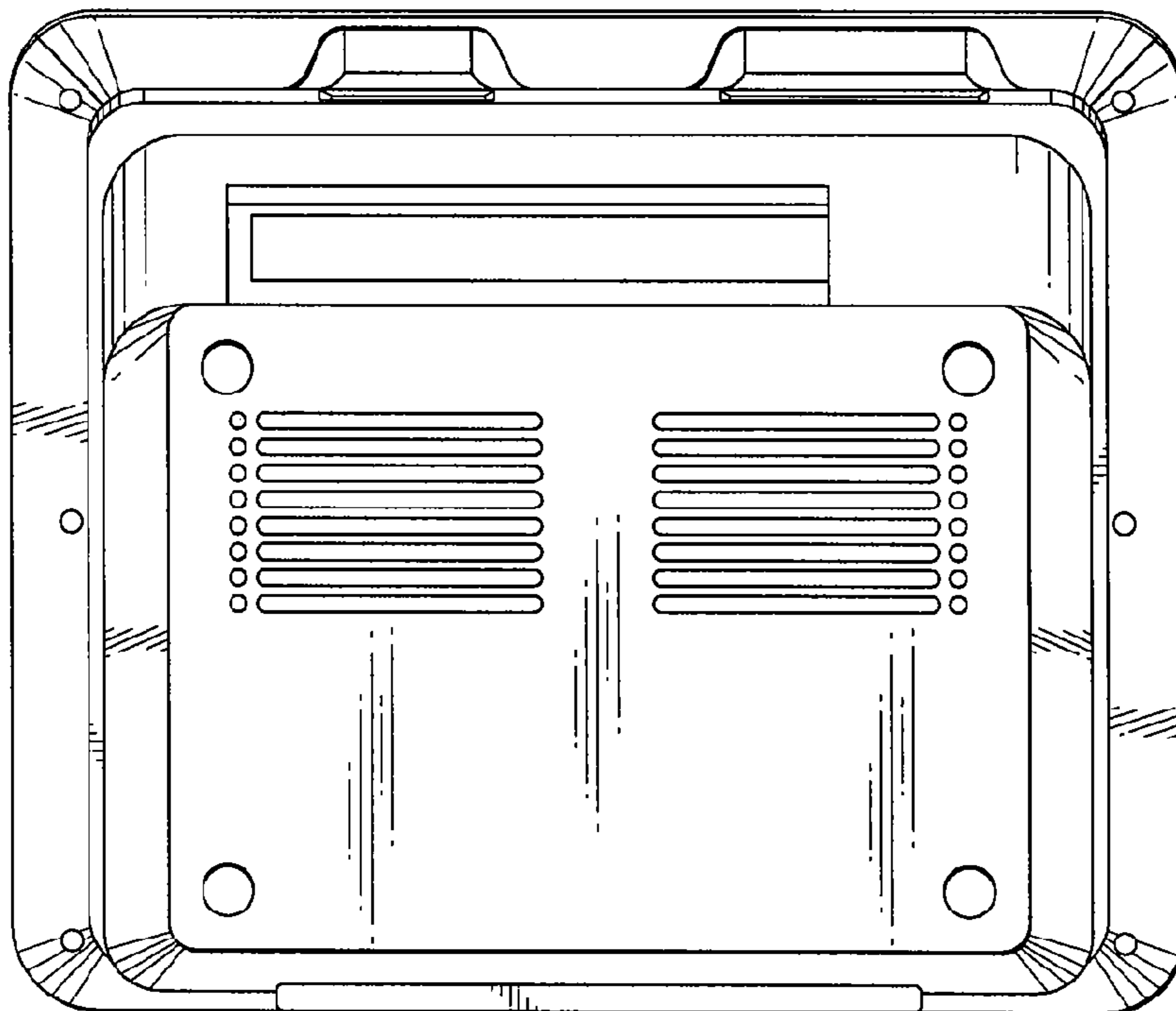


FIG. 3

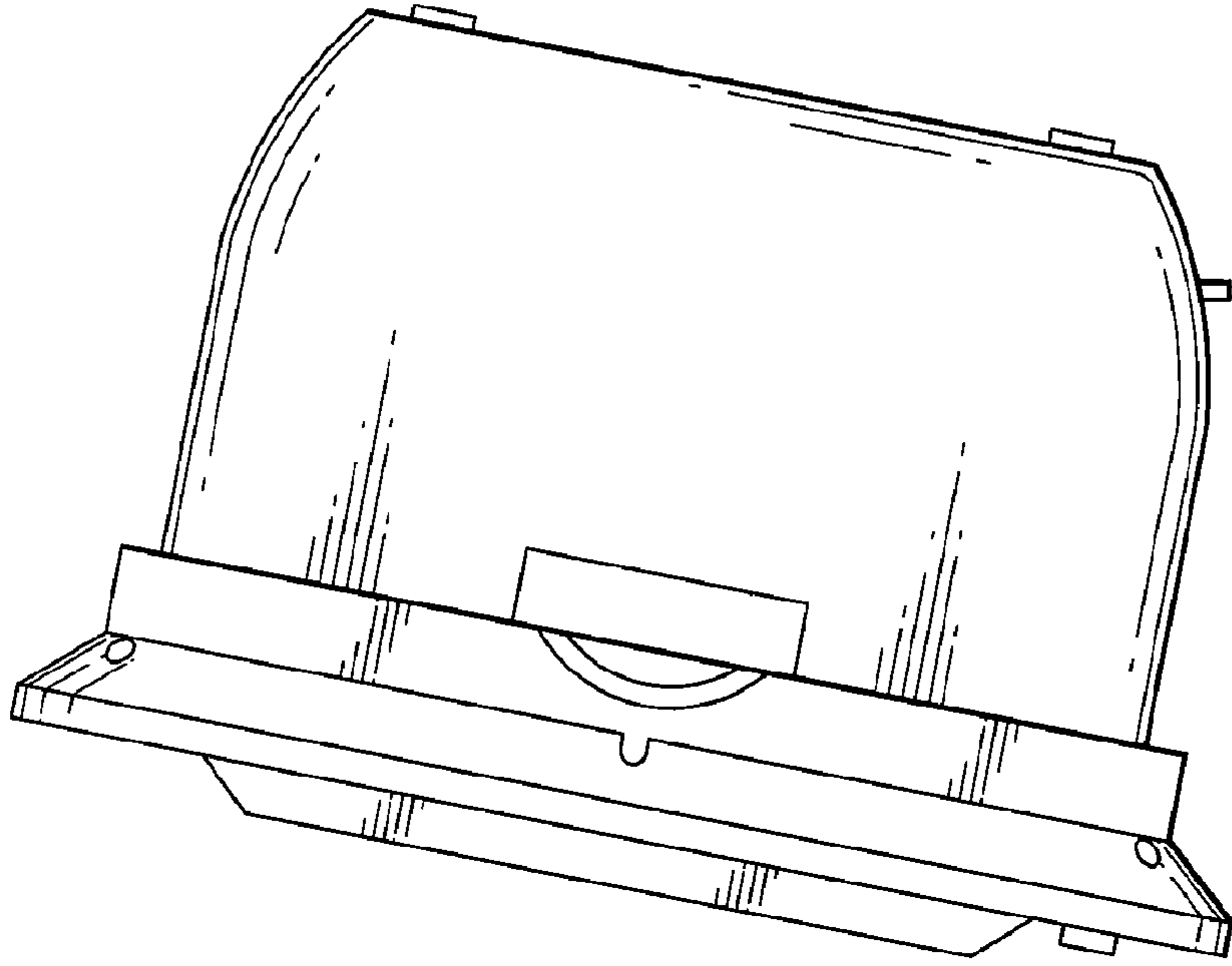


FIG. 5

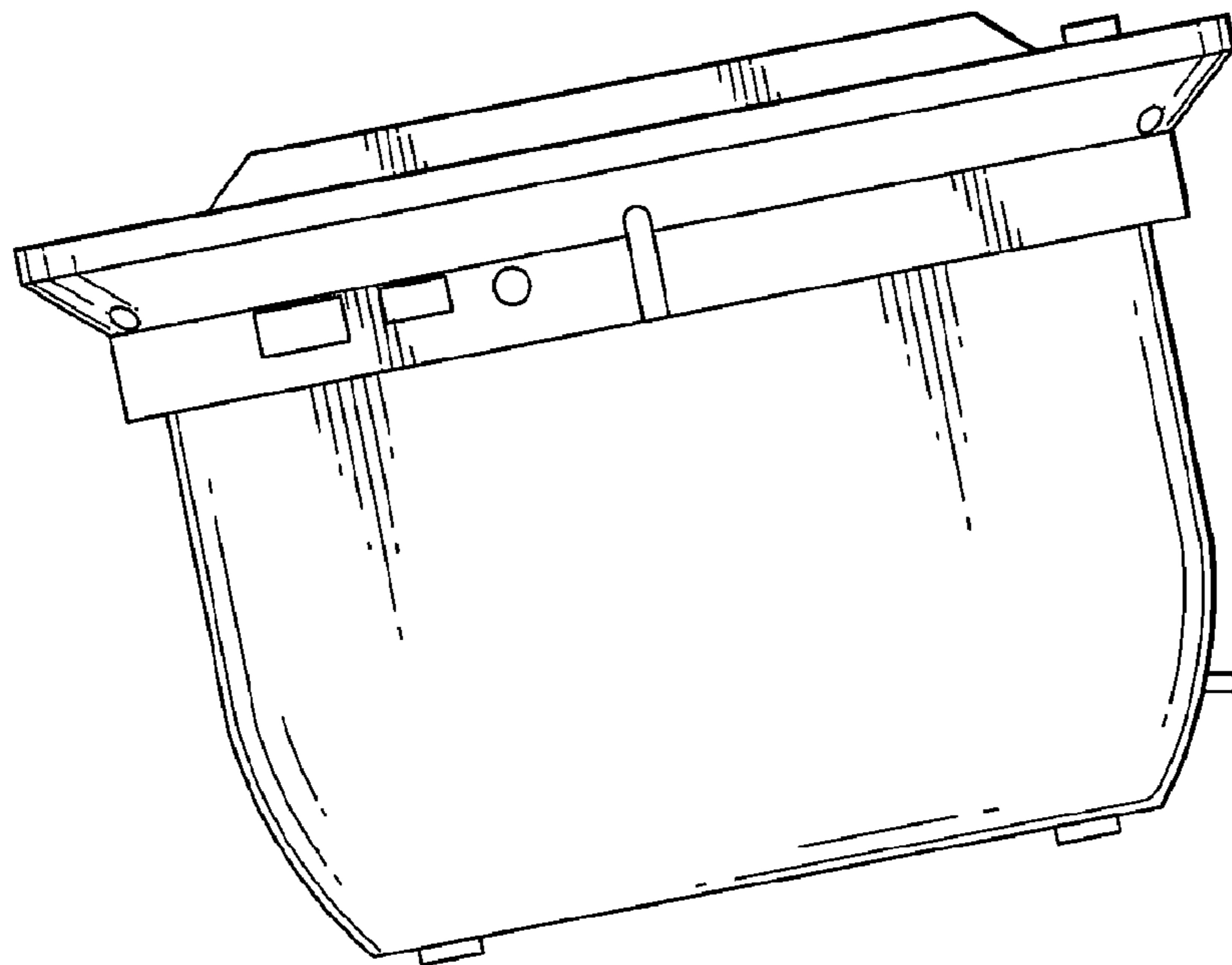


FIG. 4

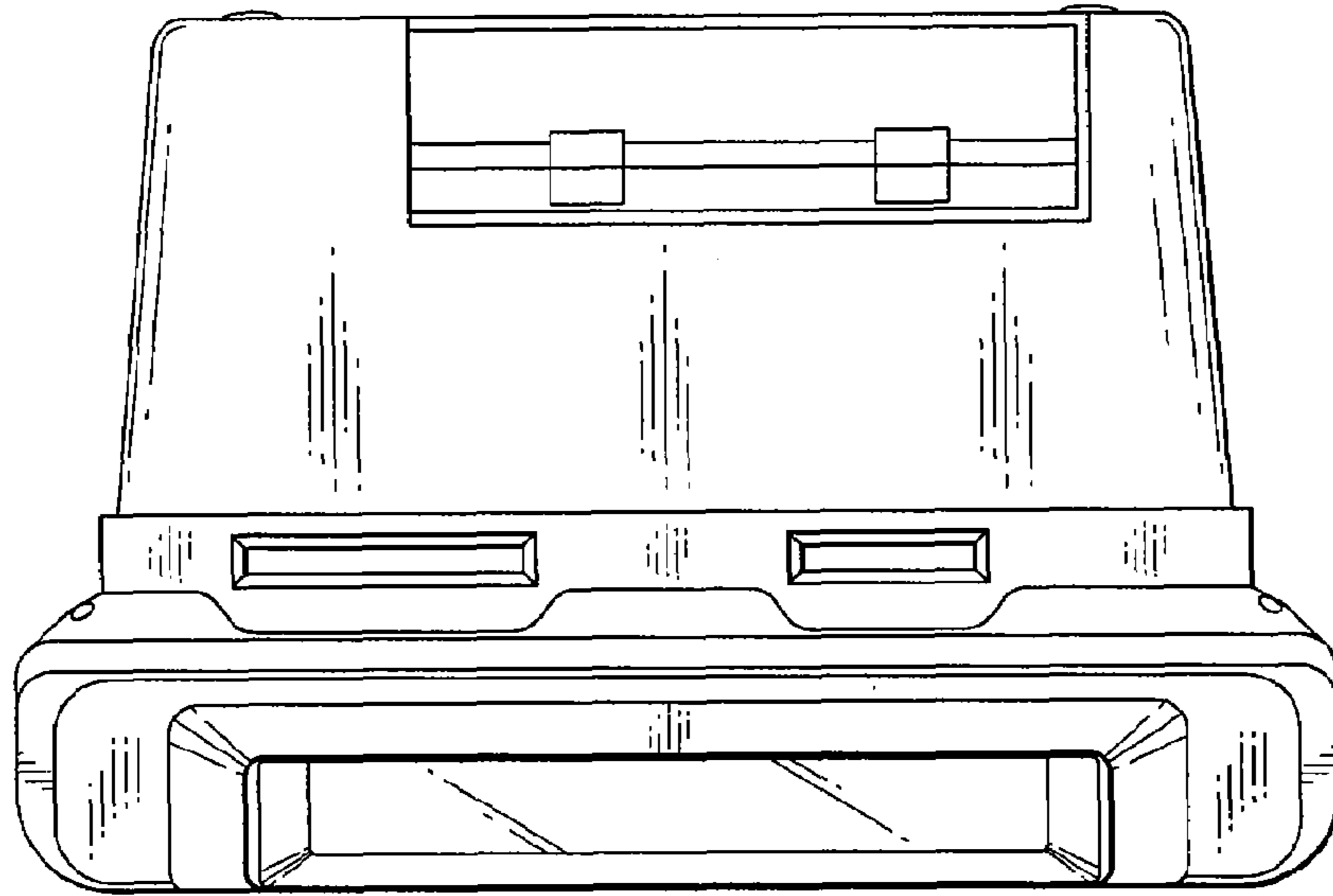


FIG. 6

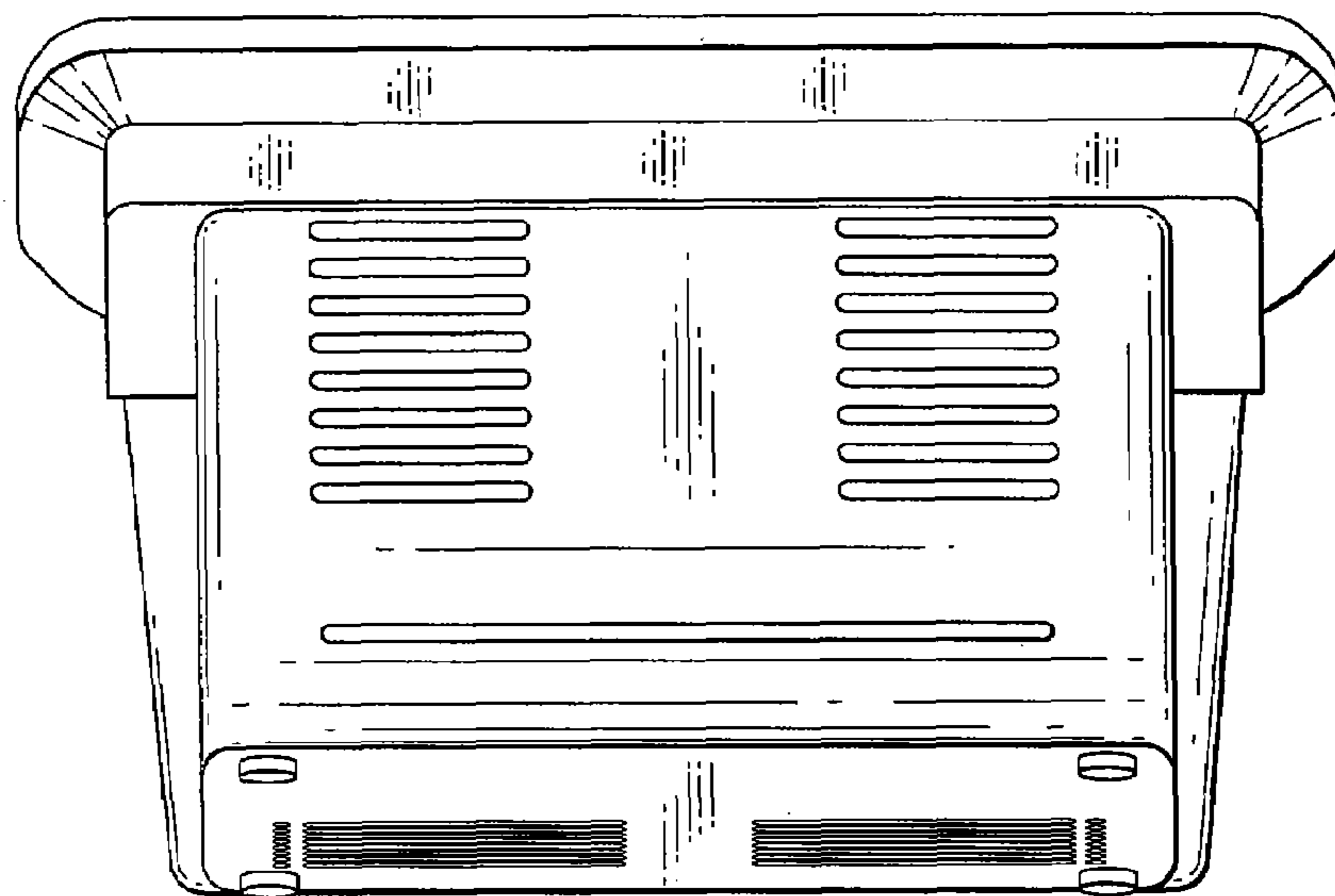


FIG. 7