

US00D567512S

(12) **United States Design Patent**
Molenaar et al.

(10) **Patent No.:** **US D567,512 S**
(45) **Date of Patent:** **** Apr. 29, 2008**

(54) **COMPUTER MONITOR MIRROR AND
NOTE HOLDER**

(75) Inventors: **Steven L. Molenaar**, Willmar, MN
(US); **Ronald E. Markfelder**, Willmar,
MN (US)

(73) Assignee: **Molenaar, LLC**, Willmar, MN (US)

(**) Term: **14 Years**

(21) Appl. No.: **29/271,850**

(22) Filed: **Jan. 29, 2007**

(51) **LOC (8) Cl.** **06-07**

(52) **U.S. Cl.** **D6/300**

(58) **Field of Classification Search** D19/19,
D19/86, 88, 65, 78, 60; D6/300-314; D14/439,
D14/432, 252; D20/37, 42; D21/469; 40/122,
40/352, 341, 700, 358, 107, 726
See application file for complete search history.

(56) **References Cited**

U.S. PATENT DOCUMENTS

D148,464 S *	1/1948	Godman	D14/252
D194,172 S *	11/1962	Obata	D19/78
D196,548 S *	10/1963	Nelson	D19/78
D224,739 S *	9/1972	Lamberson	D19/60
D259,051 S *	4/1981	Nuttall et al.	D21/469
D306,319 S *	2/1990	Evenson	D19/77
D333,488 S *	2/1993	Kirchner	D19/78
D337,352 S *	7/1993	Parker	D19/88
D355,679 S *	2/1995	Costa	D20/42

D398,657 S *	9/1998	Palmer et al.	D20/42
D412,893 S *	8/1999	Newman	D14/439
D418,875 S *	1/2000	Paik	D19/86
D421,276 S *	2/2000	Palmer	D20/37
D445,798 S *	7/2001	Moore	D14/439
D465,524 S *	11/2002	Nanao	D19/65
D489,375 S *	5/2004	Stapleton	D14/439
D500,341 S *	12/2004	Bhavnani	D19/88
D549,706 S *	8/2007	Doyle et al.	D14/432

* cited by examiner

Primary Examiner—Caron D. Veynar

Assistant Examiner—Sydney Buffalow

(74) *Attorney, Agent, or Firm*—Fredrikson & Byron, P.A.

(57) **CLAIM**

The ornamental design for a computer monitor mirror and note holder, as shown and described.

DESCRIPTION

FIG. 1 is a perspective view of the computer monitor mirror and note holder of our new design;

FIG. 2 is a front elevational view thereof;

FIG. 3 is a rear elevational view thereof;

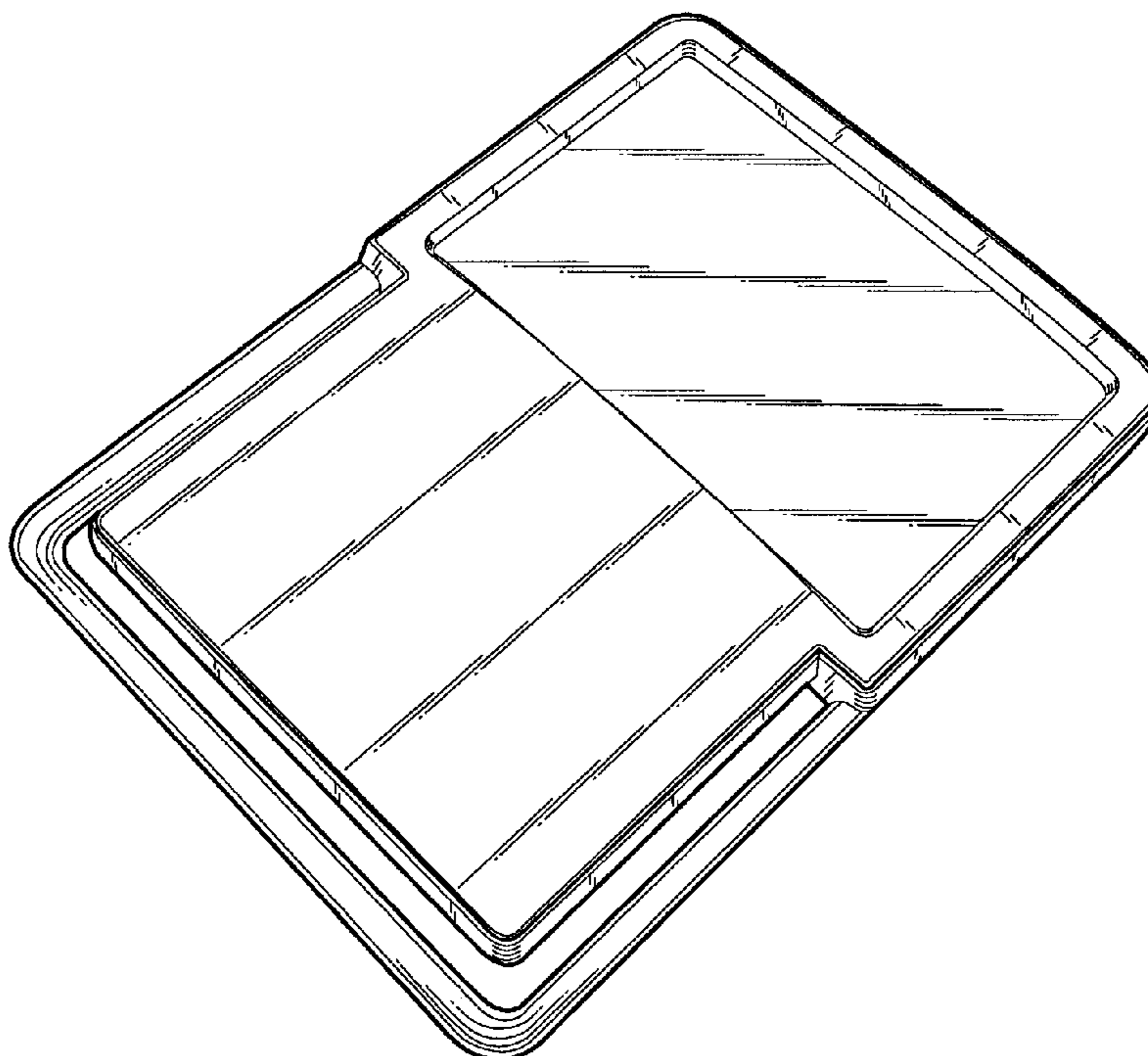
FIG. 4 is a right side elevational view thereof;

FIG. 5 is a left side elevational view thereof;

FIG. 6 is a top plan view thereof; and,

FIG. 7 is a bottom plan view thereof.

1 Claim, 5 Drawing Sheets



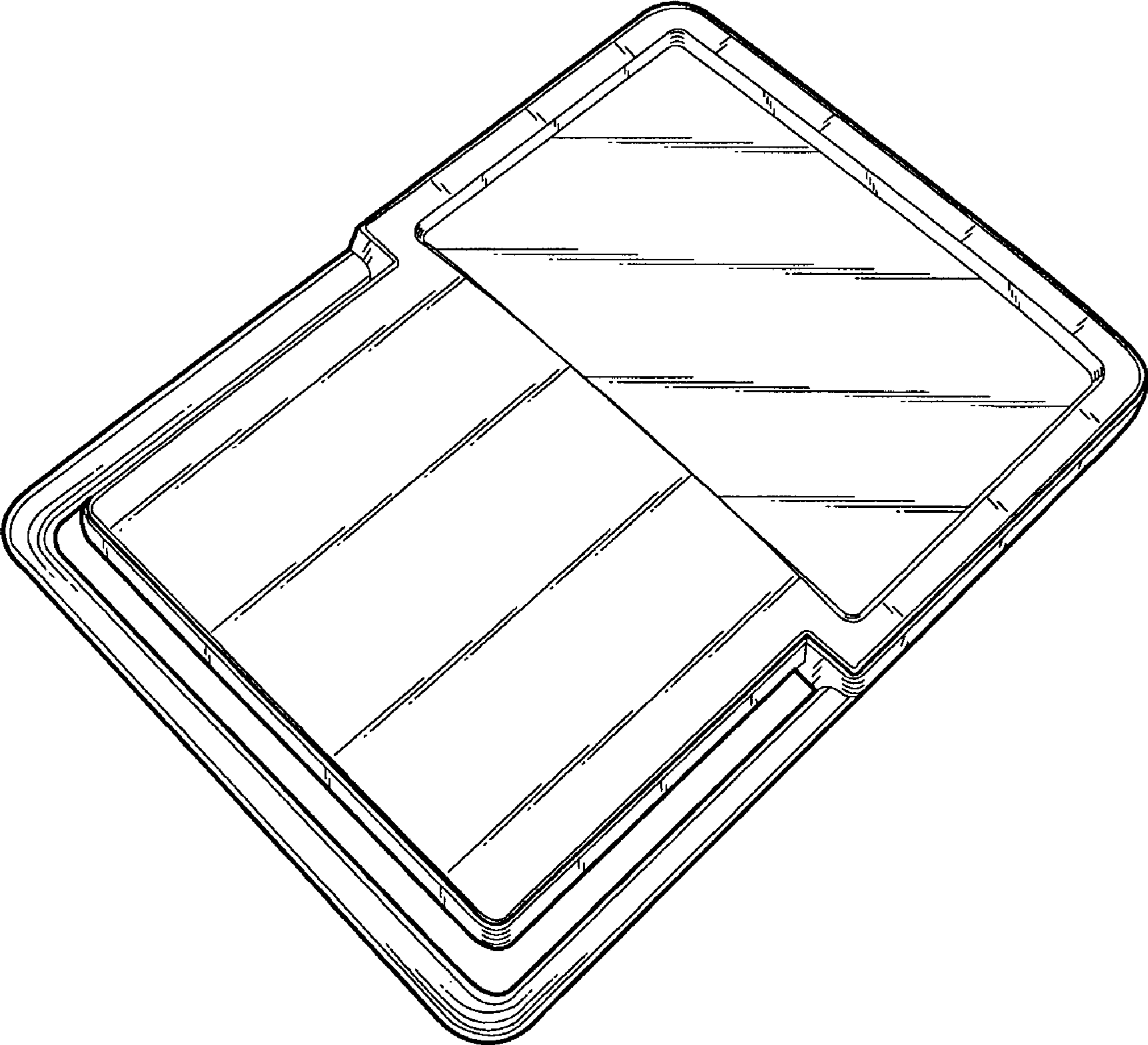


FIG. 1

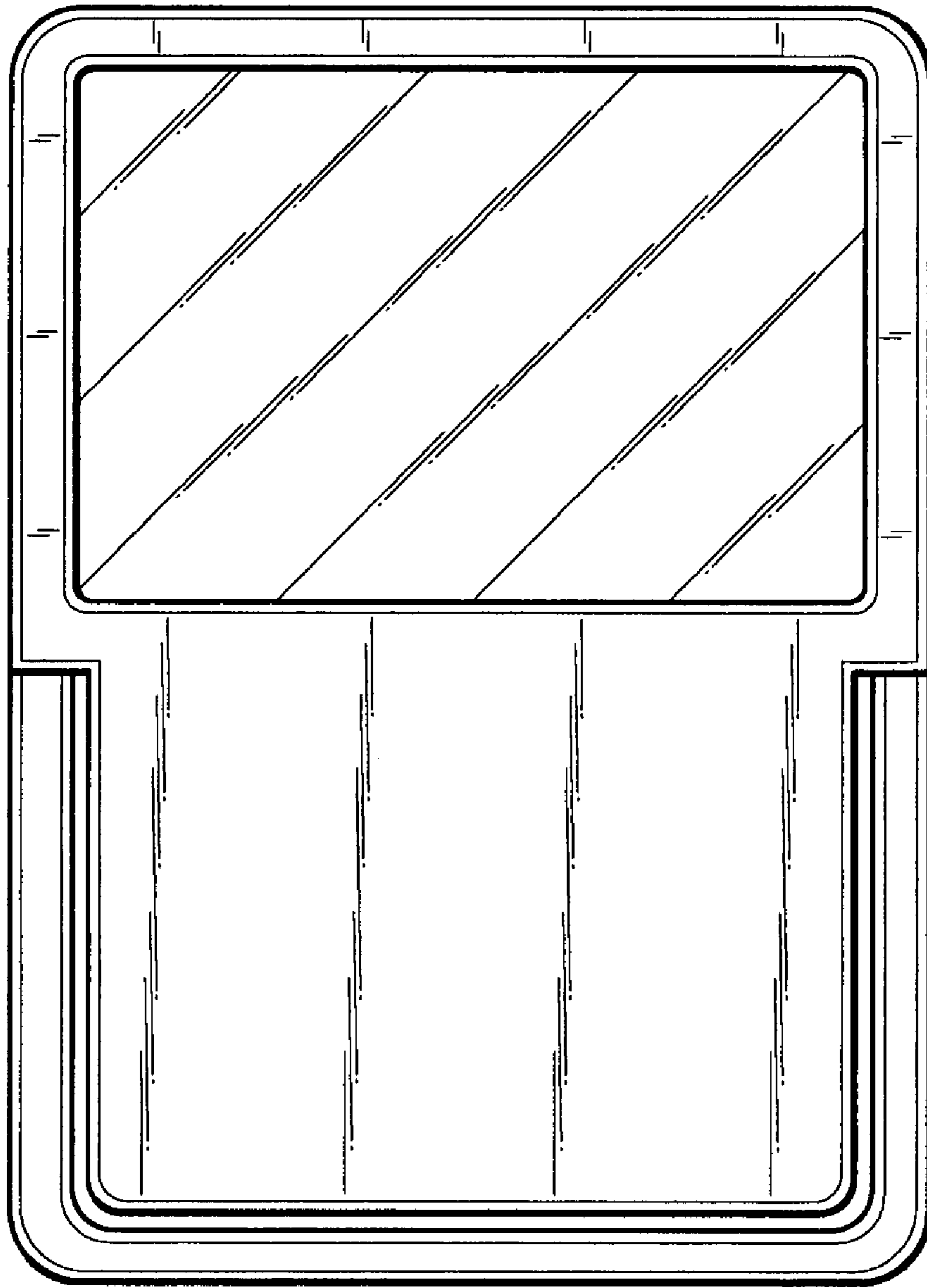


FIG. 2

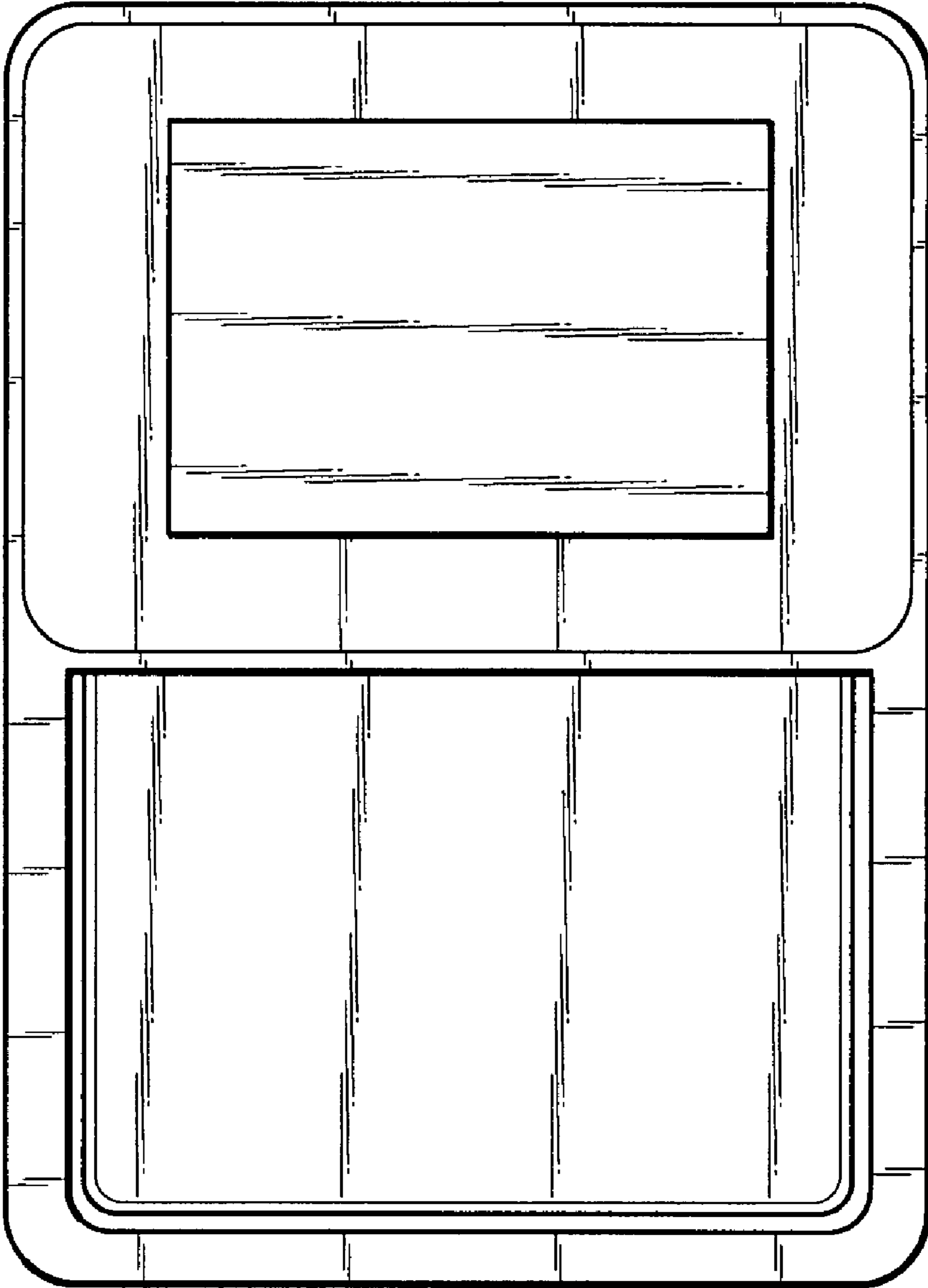


FIG. 3

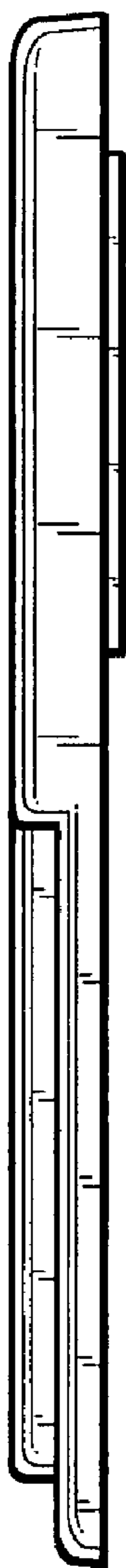


FIG. 4

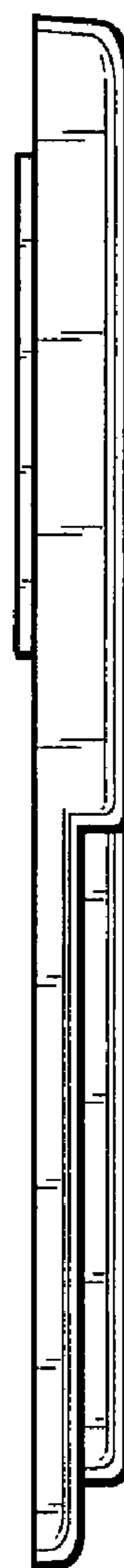


FIG. 5



FIG. 6

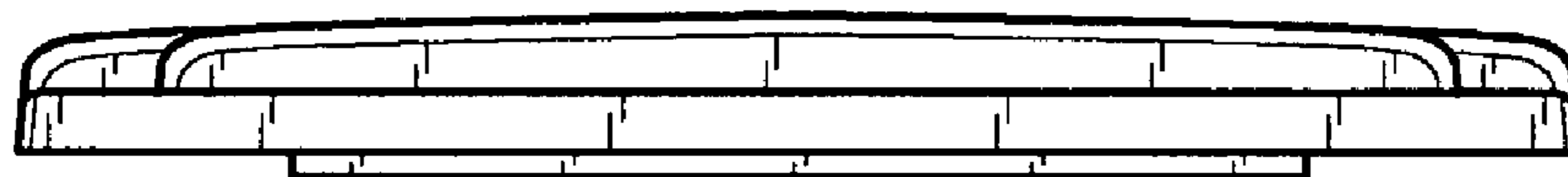


FIG. 7