



US00D567511S

(12) **United States Design Patent**
Borovicka et al.

(10) **Patent No.:** **US D567,511 S**
(45) **Date of Patent:** **** Apr. 29, 2008**

(54) **GRILL BRUSH HANDLE**

(75) Inventors: **Cory Thomas Borovicka**, San Francisco, CA (US); **Charles Adams**, Berkeley, CA (US)

(73) Assignee: **Charcoal Companion Incorporated**, Emeryville, CA (US)

(**) Term: **14 Years**

(21) Appl. No.: **29/288,323**

(22) Filed: **Jun. 7, 2007**

Related U.S. Application Data

(63) Continuation-in-part of application No. 29/268,287, filed on Nov. 2, 2006, now Pat. No. Des. 547,553.

(51) **LOC (8) Cl.** **04-01**

(52) **U.S. Cl.** **D4/129; D4/118; D4/138**

(58) **Field of Classification Search** D4/116, D4/118, 129, 132, 134, 138; D7/394; D28/63; D32/42, 48, 49, 51; 15/111, 143.1, 159.1, 15/160, 236.01, 236.07, 236.08, 229.13, 15/244.1; 16/426, 430
See application file for complete search history.

(56) **References Cited**

U.S. PATENT DOCUMENTS

D207,115 S * 3/1967 Keeslar D7/394
4,232,420 A * 11/1980 Schuster et al. 15/229.13
5,373,600 A * 12/1994 Stojanovski et al. 15/111
D362,937 S * 10/1995 Camp et al. D32/48
D369,472 S * 5/1996 Laubach et al. D4/138

D373,251 S * 9/1996 Young D4/118
D378,325 S * 3/1997 Camp, Jr. D4/138
6,216,306 B1 * 4/2001 Esterson et al. 15/111
6,443,646 B1 * 9/2002 MacDonald 401/39
7,086,117 B2 * 8/2006 Lann 15/236.07

OTHER PUBLICATIONS

Hong Kong Enterprise, vol. 6, Jun. 1998, CB-2000 Cordless Brush, Prosun International Enterprises Ltd., p. 491.*

* cited by examiner

Primary Examiner—Cathron Brooks
Assistant Examiner—Lavone D. Tabor

(74) *Attorney, Agent, or Firm*—Donald L. Beeson; Beeson Skinner Beverly, LLP

(57) **CLAIM**

The ornamental design for a grill brush handle, as shown and described.

DESCRIPTION

FIG. 1 is a top perspective view of a grill brush handle showing our new design;

FIG. 2 is a front elevational view thereof;

FIG. 3 is a rear elevational view;

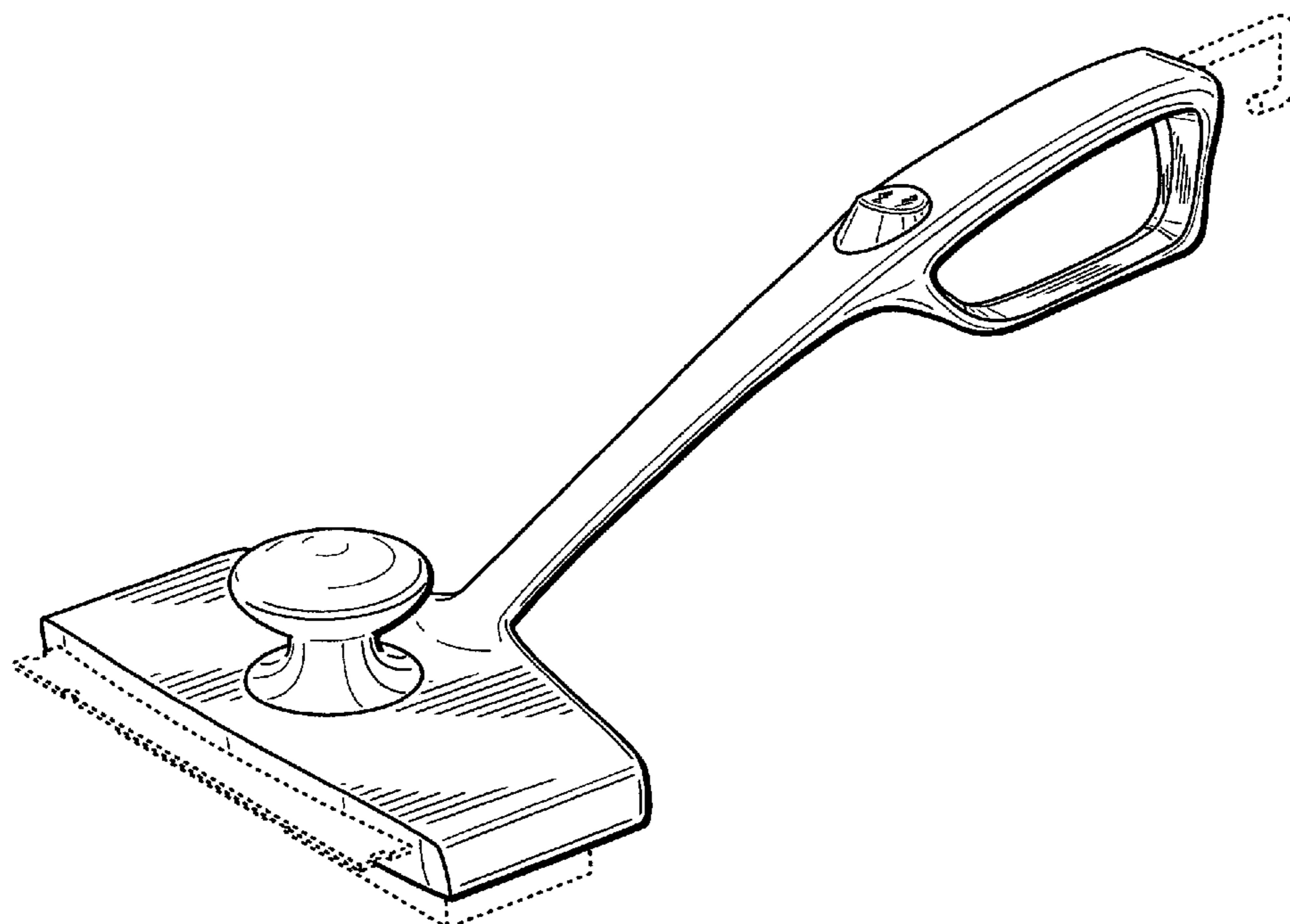
FIG. 4 is a left side elevational view thereof, the right side being a mirror image;

FIG. 5 is a top plan view thereof; and,

FIG. 6 is a bottom plan view thereof.

The broken lines shown in FIGS. 1–6 are for illustrative purposes only and form no part of our claimed design.

1 Claim, 5 Drawing Sheets



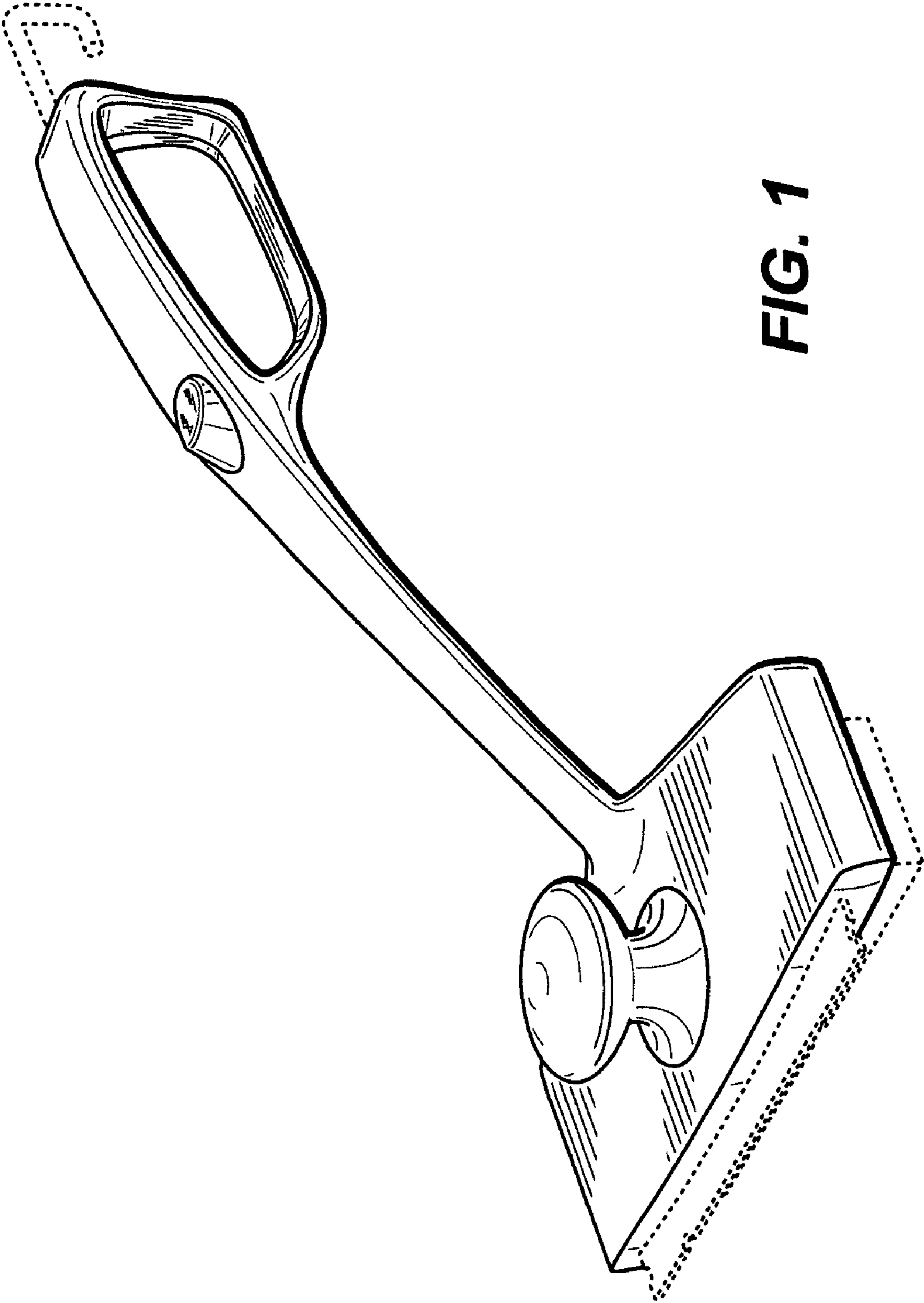


FIG. 1

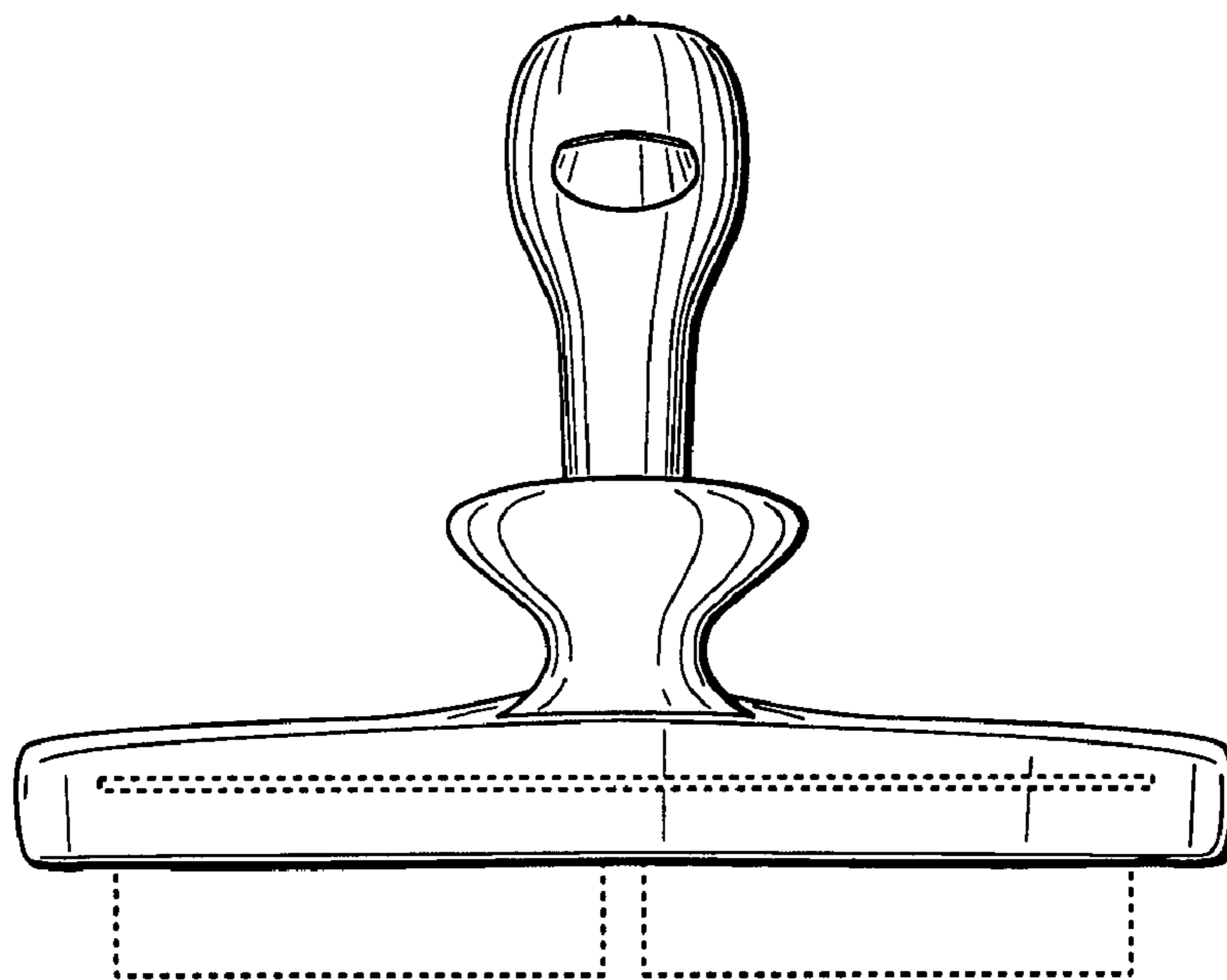


FIG. 2

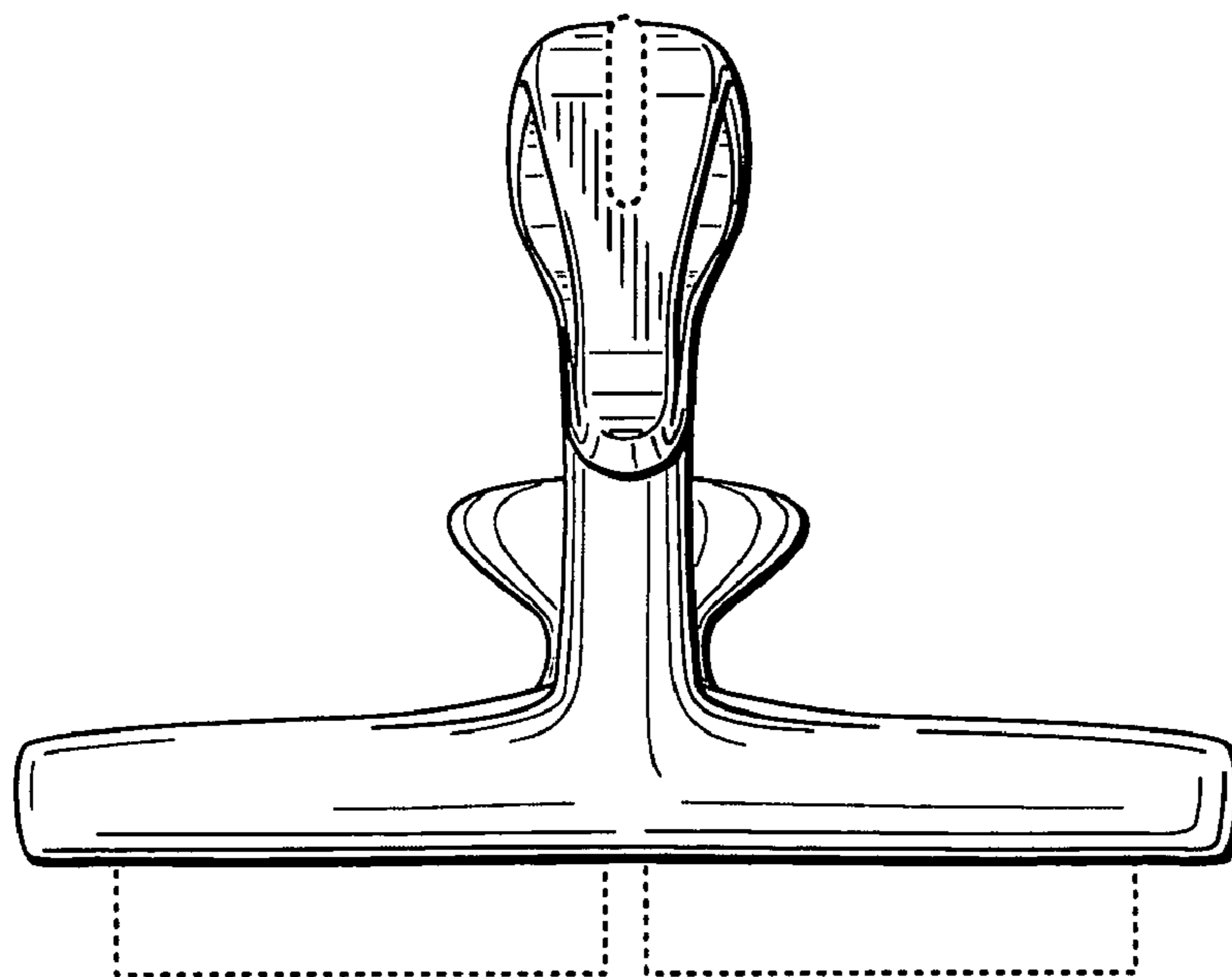


FIG. 3

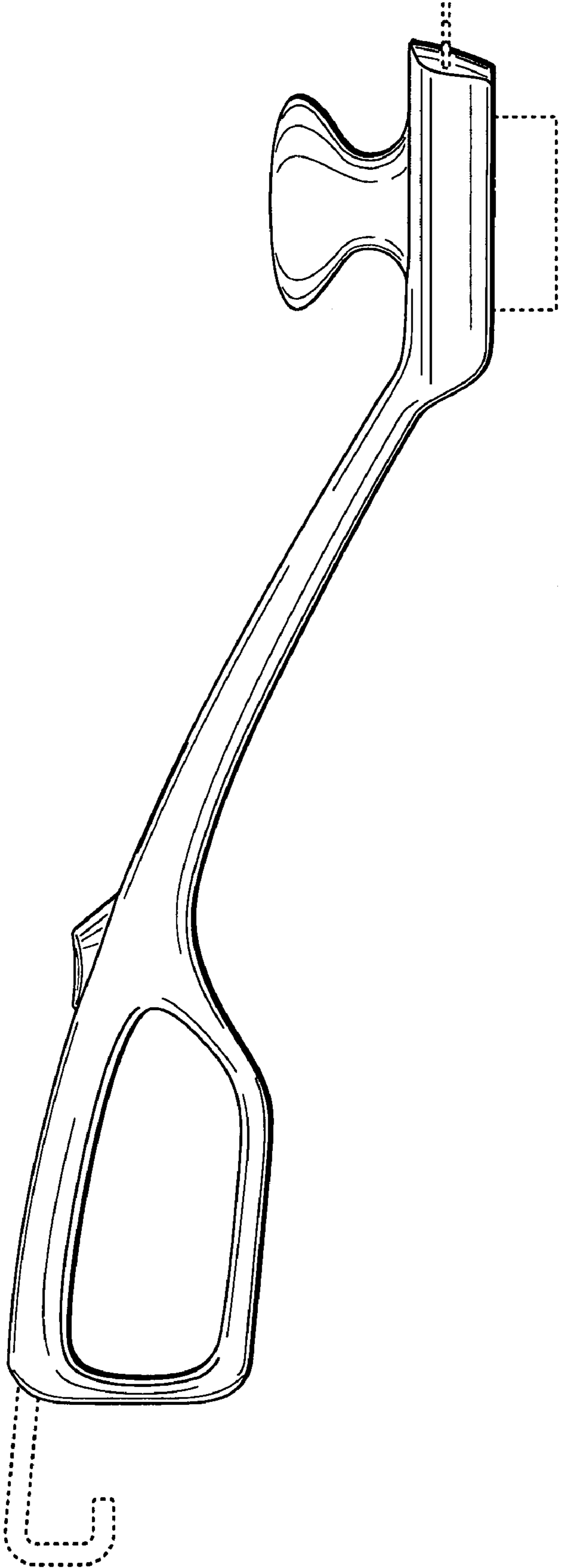


FIG. 4

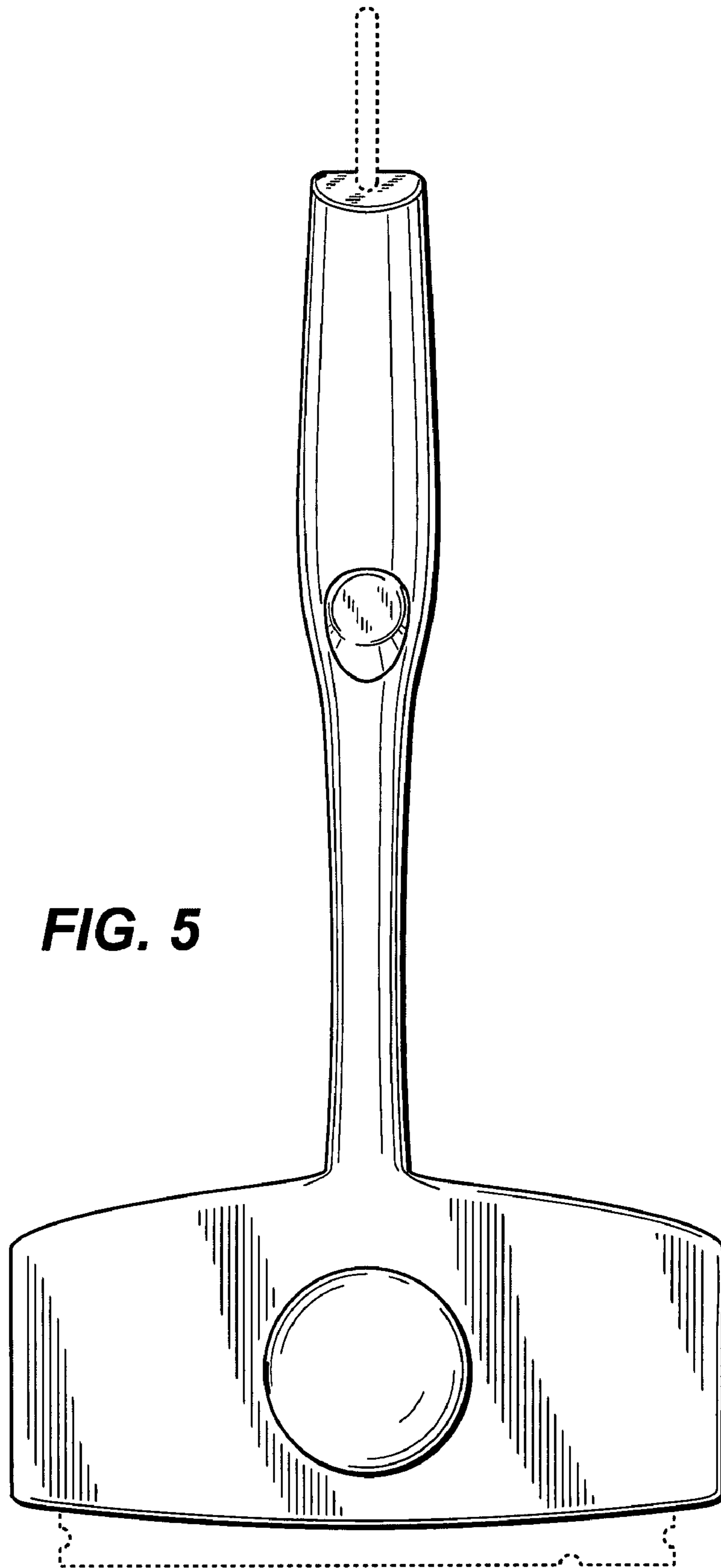


FIG. 5

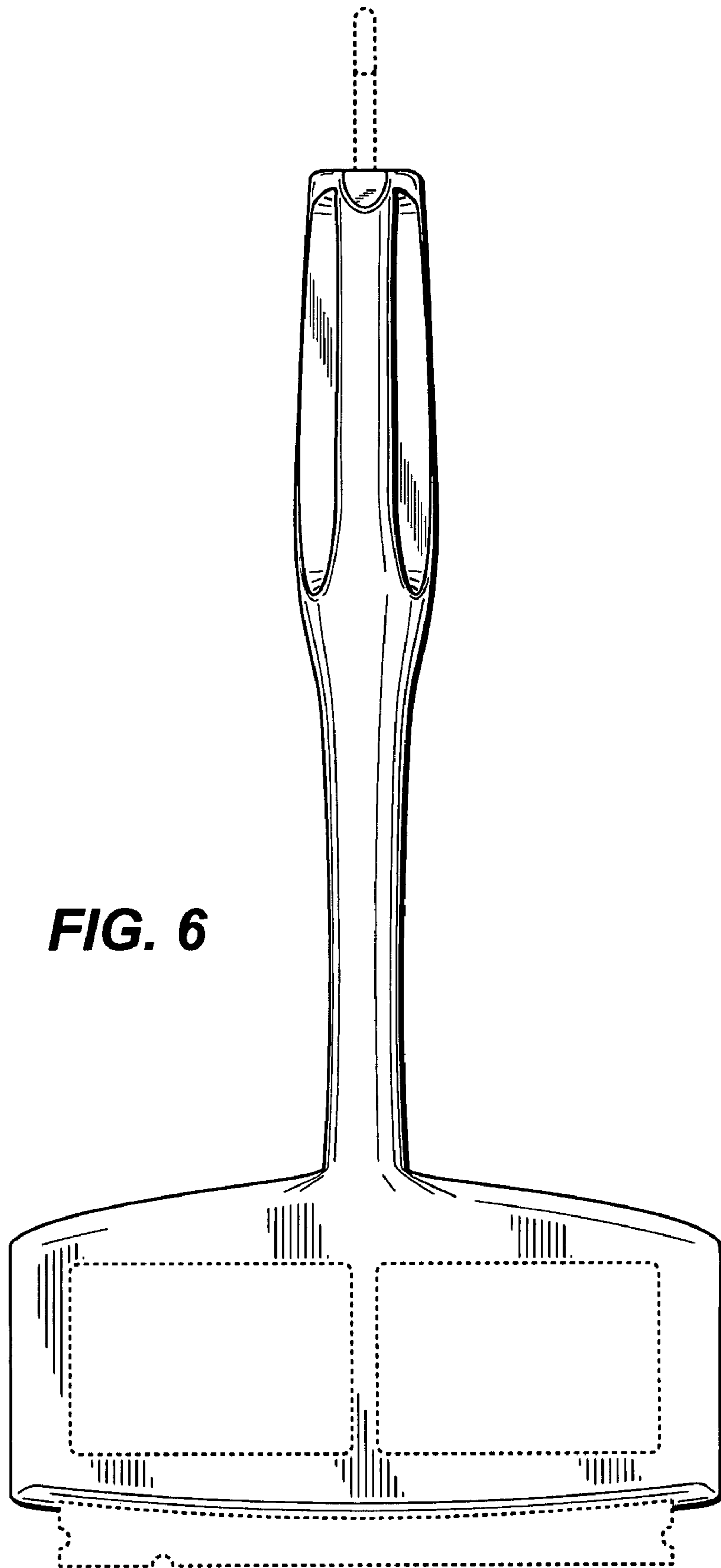


FIG. 6