



US00D567510S

(12) **United States Design Patent**  
**Tuli**

(10) **Patent No.:** **US D567,510 S**

(45) **Date of Patent:** **\*\* Apr. 29, 2008**

(54) **BBQ GRILL CLEANING BRUSH**

(76) Inventor: **Sanjeev Tuli**, 101 Moonachie Ave.,  
Moonachie, NJ (US) 07074

(\*\*) Term: **14 Years**

(21) Appl. No.: **29/291,893**

(22) Filed: **Sep. 20, 2007**

(51) **LOC (8) Cl.** ..... **04-01**

(52) **U.S. Cl.** ..... **D4/122**

(58) **Field of Classification Search** ..... D4/102,  
D4/118, 122, 132, 138; 15/23-27, 143.1,  
15/159.1, 160, 179, 183; 16/430, 431  
See application file for complete search history.

(56) **References Cited**

**U.S. PATENT DOCUMENTS**

3,196,473	A *	7/1965	Bell	.....	15/23
D207,393	S *	4/1967	Polatchek	.....	D4/102
6,817,932	B2 *	11/2004	Furey	.....	451/358
7,169,120	B2 *	1/2007	Murdock et al.	.....	601/129
D546,066	S *	7/2007	Rothman	.....	D4/122

**OTHER PUBLICATIONS**

Battery Operated Grill Brush, Product Page [online]. Char-Griller®  
© 1999-2005 [retrieved on Dec. 14, 2007] Retrieved from the  
Internet Archive <URL: [http://web.archive.org/web/\\*/http://www.chargriller.com](http://web.archive.org/web/*/http://www.chargriller.com)>.\*

Battery Operated Grill Brush—Product ID ps3031re, Product Page  
[online]. NetLink Enterprises, Inc. © 2004 [retrieved on Dec. 14,  
2007] Retrieved from the Internet: <URL: <http://www.netgadget.net>>.\*

\* cited by examiner

*Primary Examiner*—Cathron Brooks

*Assistant Examiner*—Lavone D. Tabor

(74) *Attorney, Agent, or Firm*—Myron Amer P.C.

(57) **CLAIM**

The ornamental design for a BBQ grill cleaning brush, as  
shown and described.

**DESCRIPTION**

FIG. 1 is a perspective view of a BBQ grill cleaning brush;

FIG. 2 is a left side elevational view thereof;

FIG. 3 is a right side elevational view thereof;

FIG. 4 is a top view thereof;

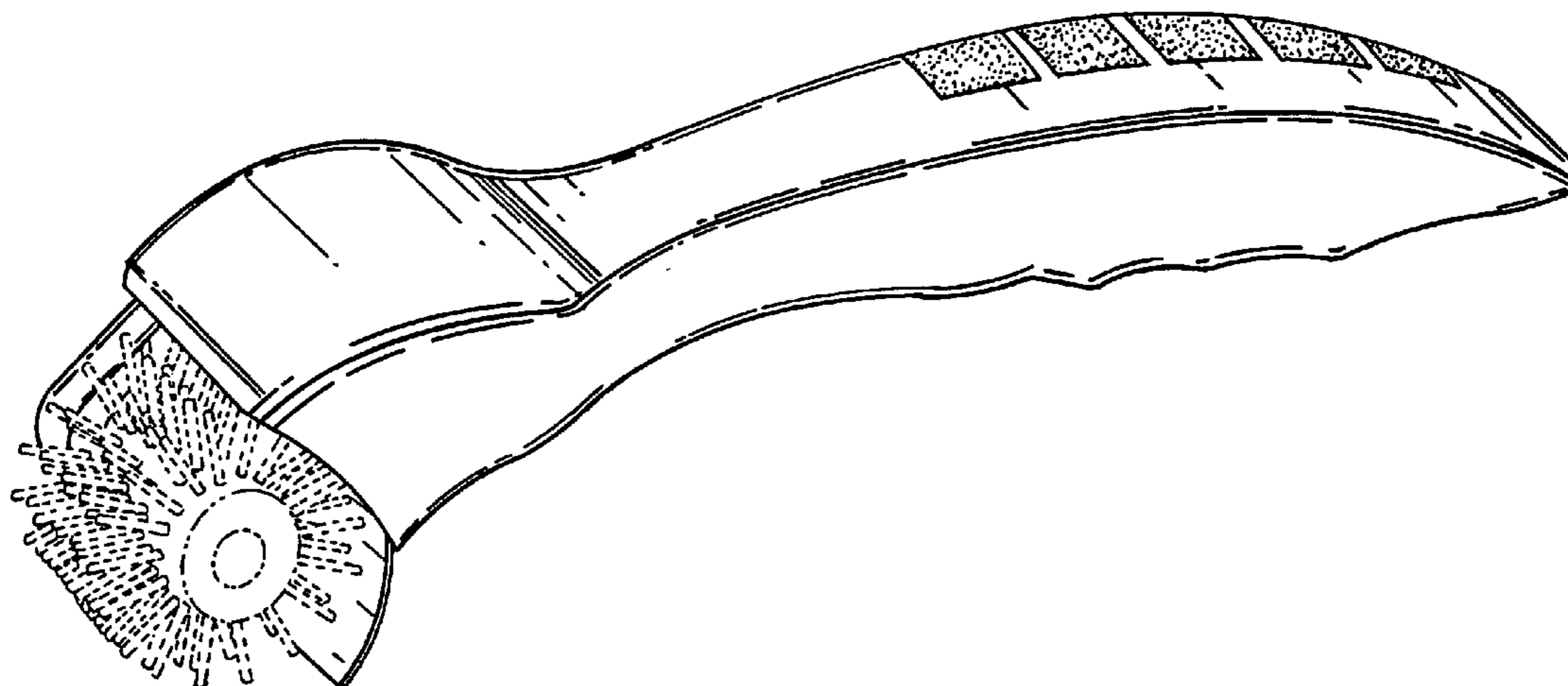
FIG. 5 is a bottom view thereof;

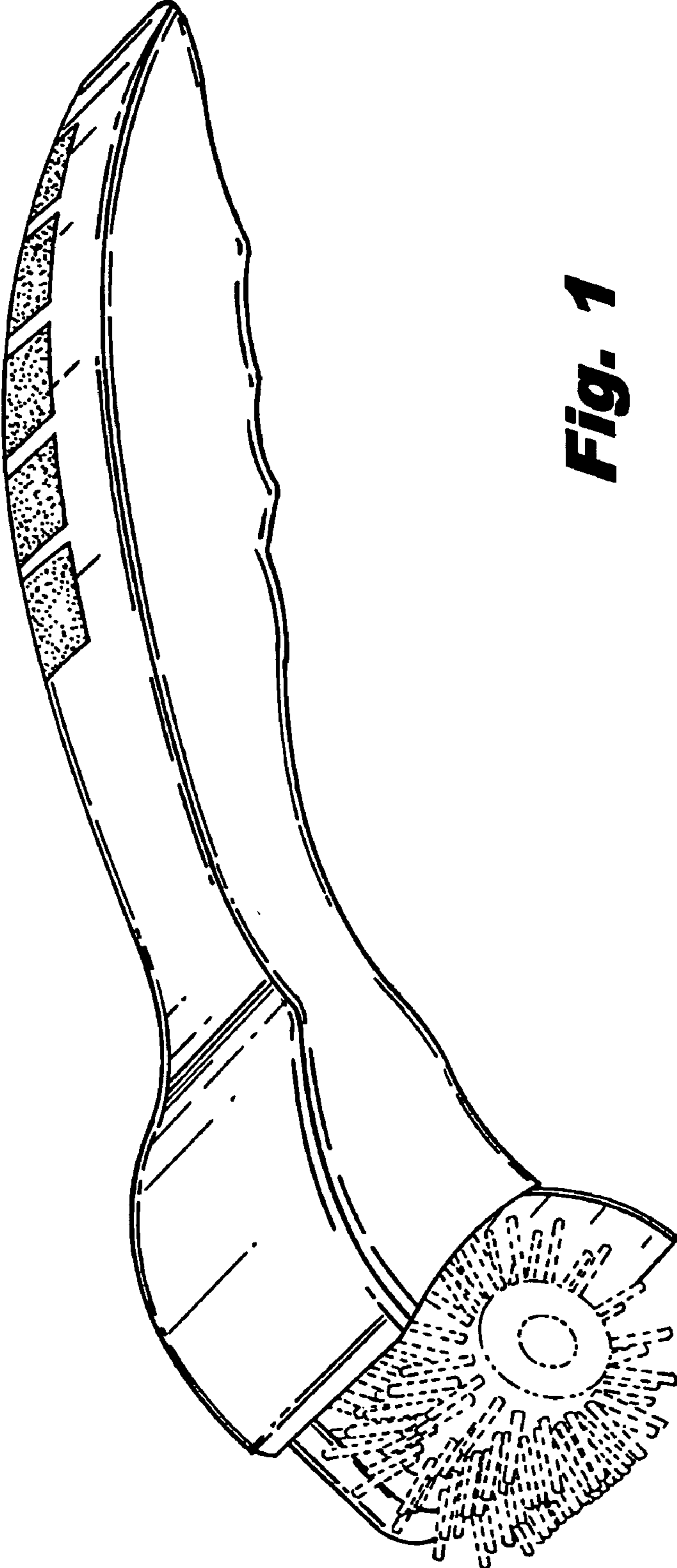
FIG. 6 is a rear elevational view thereof; and,

FIG. 7 is a front elevational view thereof.

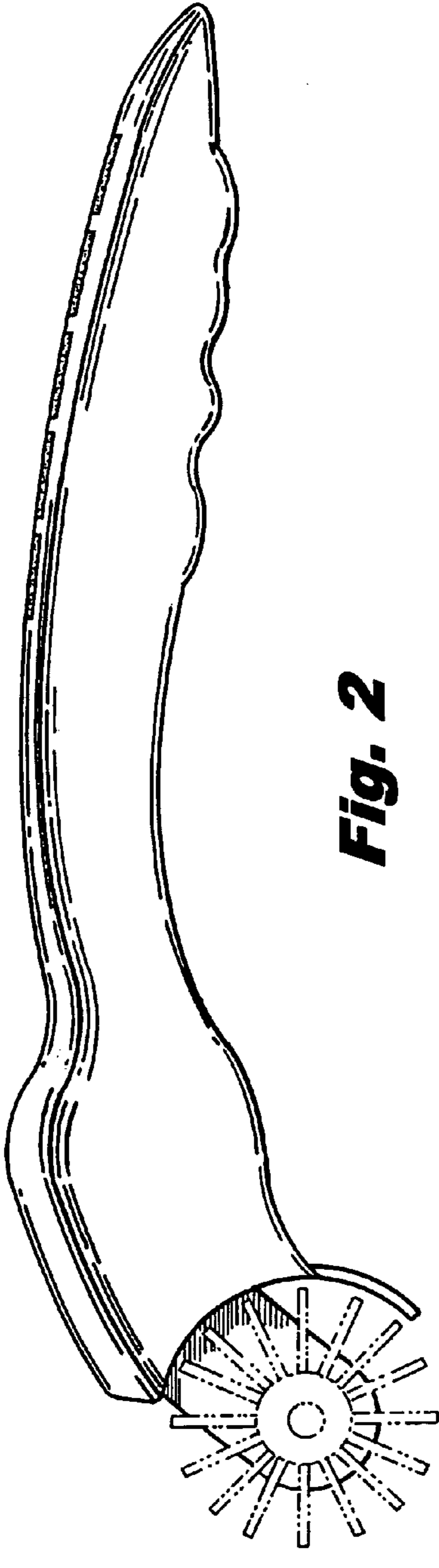
The broken line showing of a brush head in FIGS. 1-7 and  
the broken lines shown on the top and bottom of the handle  
near its distal end in FIGS. 4-6 are included for the purpose  
of illustrating portions of the article that form no part of the  
claimed design.

**1 Claim, 4 Drawing Sheets**

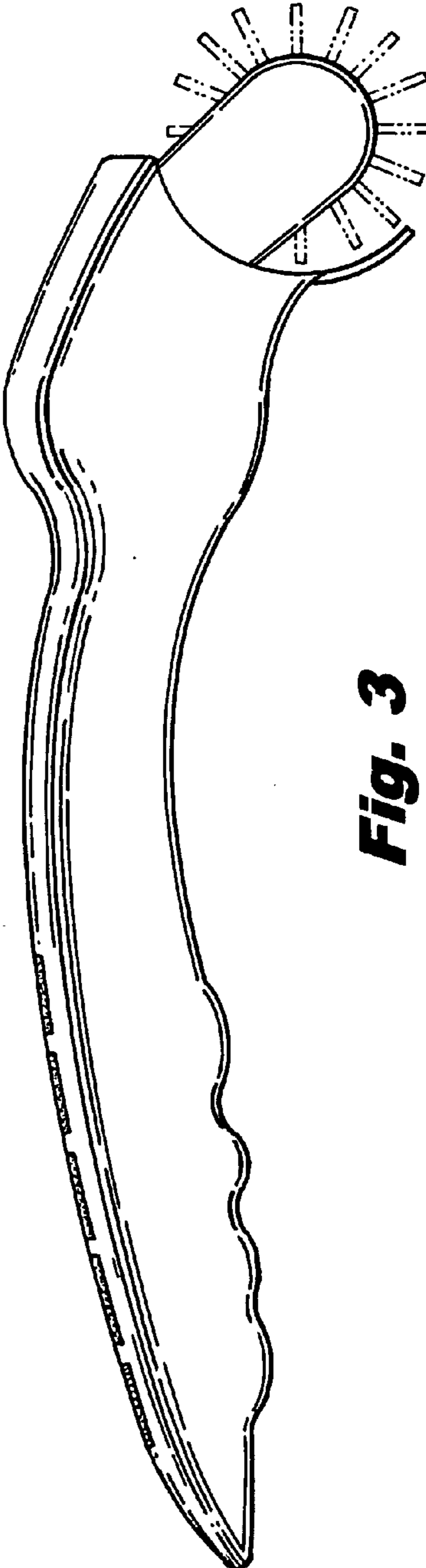




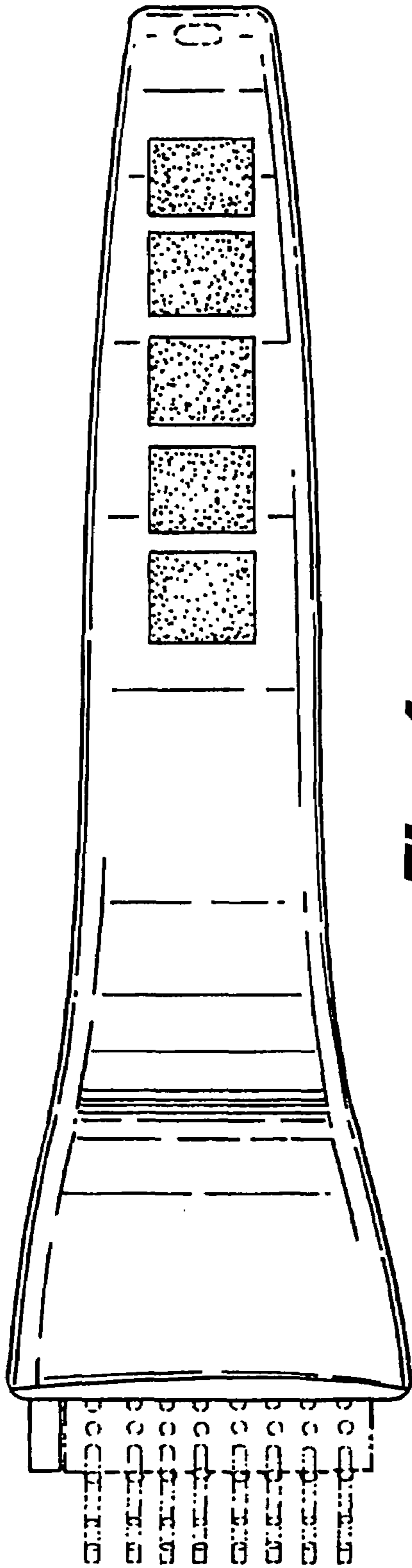
**Fig. 1**



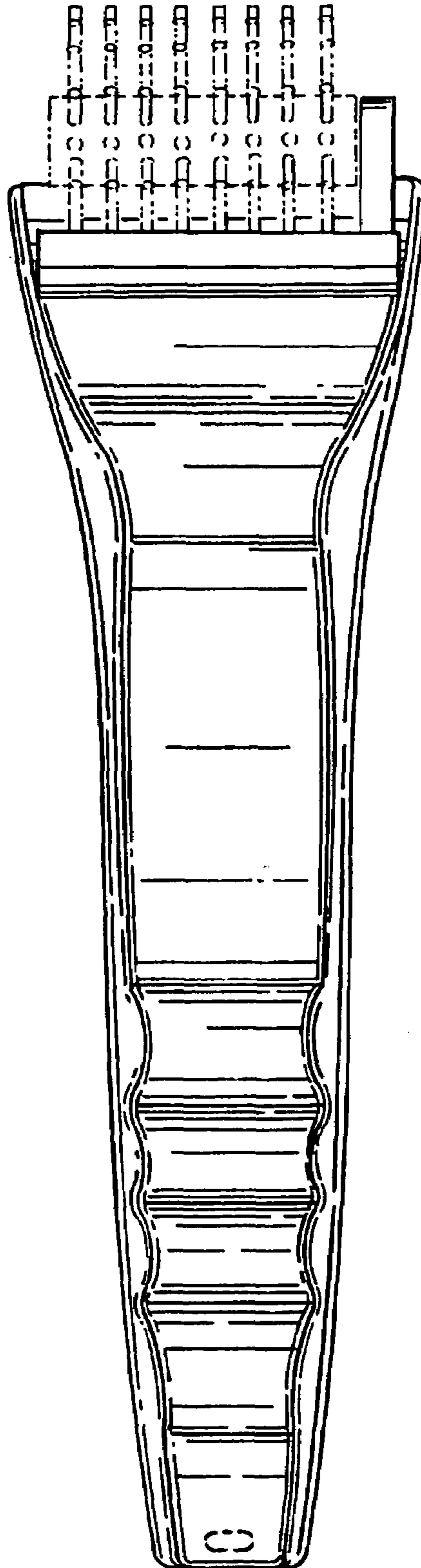
**Fig. 2**



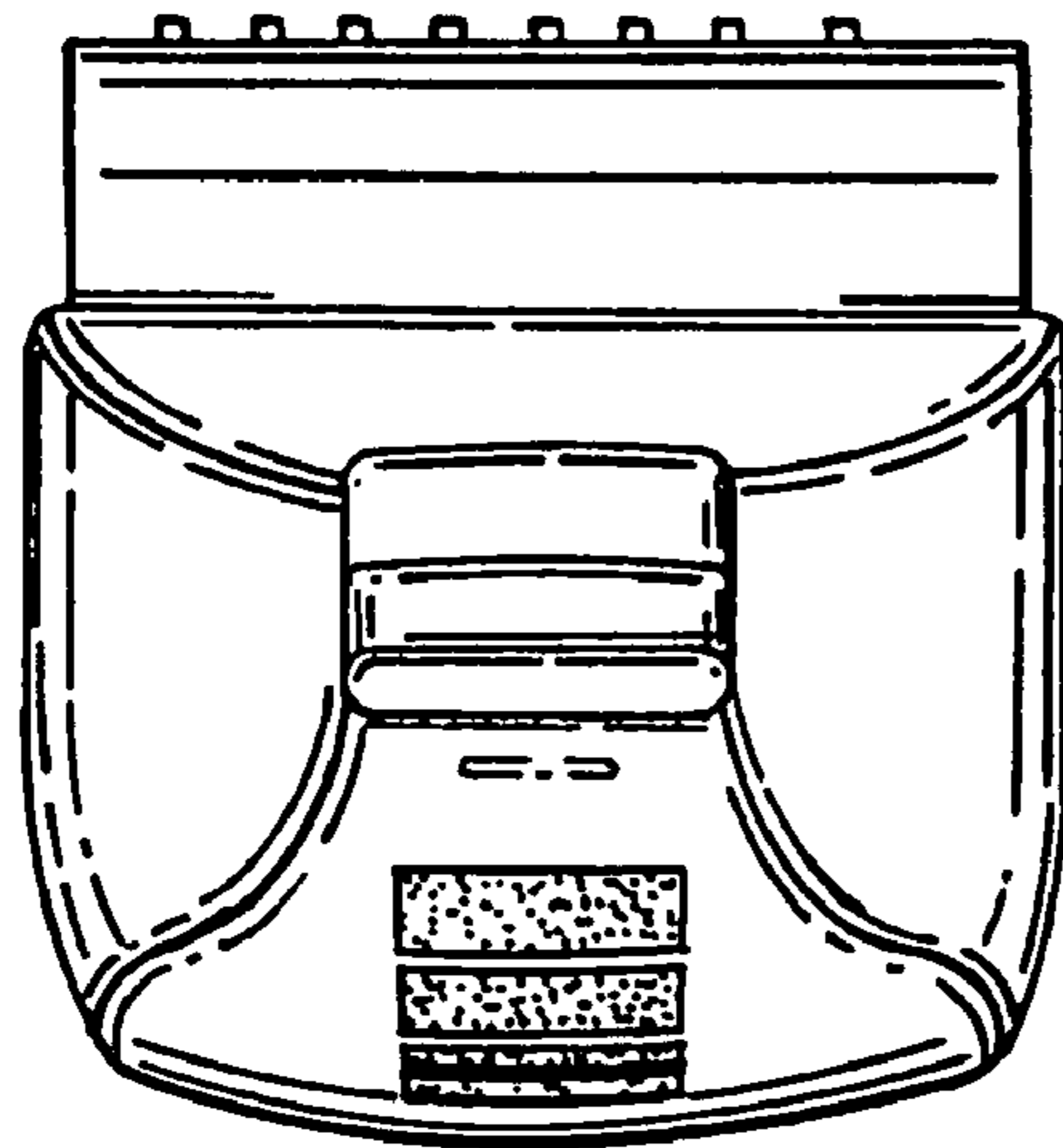
**Fig. 3**



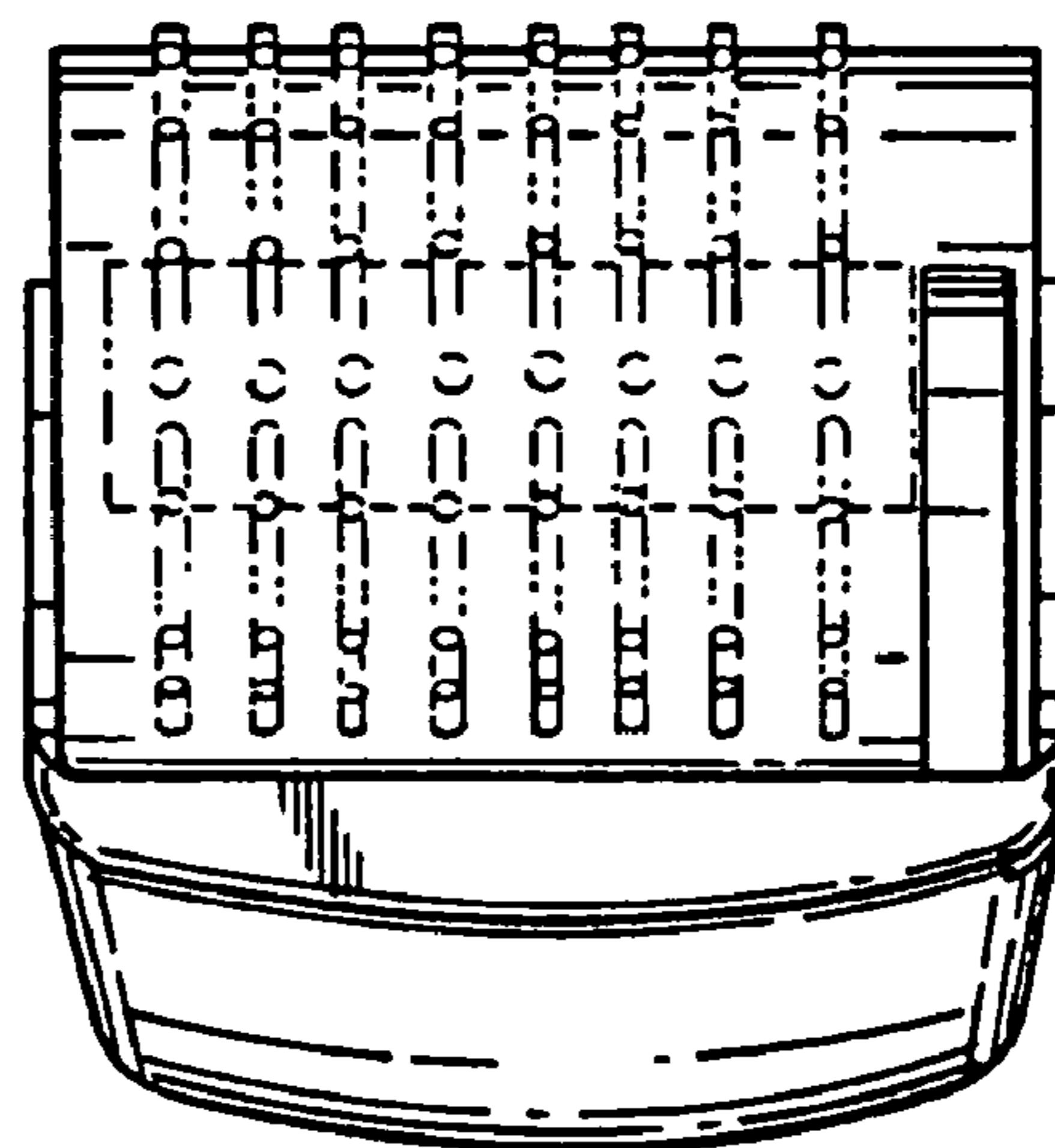
**Fig. 4**



**Fig. 5**



**Fig. 6**



**Fig. 7**