



US00D567509S

(12) **United States Design Patent**  
**Kao**

(10) **Patent No.:** **US D567,509 S**

(45) **Date of Patent:** **\*\* Apr. 29, 2008**

(54) **BRUSH**

(76) Inventor: **Ta-Wei Kao**, 1Fl., No. 55, Lane 236,  
Sec. 5, Jungshiau E. Rd., Taipei (TW)

(\*\*) Term: **14 Years**

(21) Appl. No.: **29/271,983**

(22) Filed: **Jan. 29, 2007**

(51) **LOC (8) Cl.** ..... **04-01**

(52) **U.S. Cl.** ..... **D4/121; D4/135**

(58) **Field of Classification Search** ..... D4/114,  
D4/116, 121, 132, 135, 138; 15/159.1, 160,  
15/184, 191.1, 192-194; 401/99, 109-111,  
401/117, 183, 184, 268, 270, 272, 274; 132/317  
See application file for complete search history.

(56) **References Cited**

**U.S. PATENT DOCUMENTS**

D154,454 S *	7/1949	Amstutz	.....	D4/121
2,681,462 A *	6/1954	Turnes	.....	401/116
3,090,070 A *	5/1963	Simons	.....	401/285
3,106,741 A *	10/1963	Stoner	.....	401/183
3,107,388 A *	10/1963	Groves	.....	401/183
3,420,134 A *	1/1969	Cordes	.....	84/422.4

4,579,133 A \* 4/1986 Seidler ..... 132/317

\* cited by examiner

*Primary Examiner*—Cathron Brooks

*Assistant Examiner*—Lavone D. Tabor

(74) *Attorney, Agent, or Firm*—Pro-Techtor Int'l Services

(57) **CLAIM**

The ornamental design for a brush, as shown and described.

**DESCRIPTION**

FIG. 1 is a perspective view of a brush showing my new design;

FIG. 2 is a front elevational view thereof;

FIG. 3 is a rear elevational view thereof;

FIG. 4 is a left side elevational view thereof;

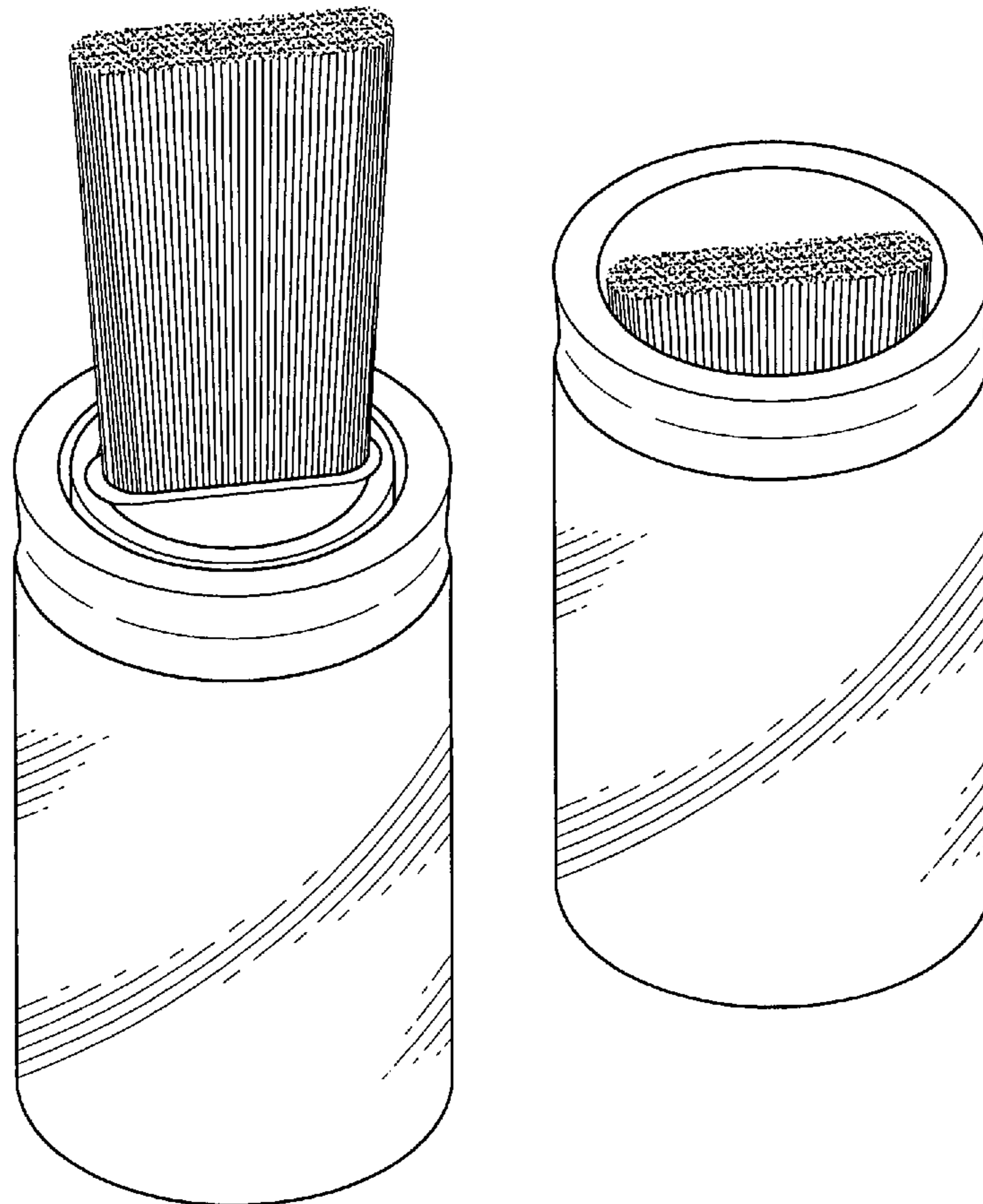
FIG. 5 is a right side elevational view thereof;

FIG. 6 is a top plan view thereof;

FIG. 7 is a bottom plan view thereof; and,

FIG. 8 is a perspective view thereof with the brush head retracted.

**1 Claim, 7 Drawing Sheets**



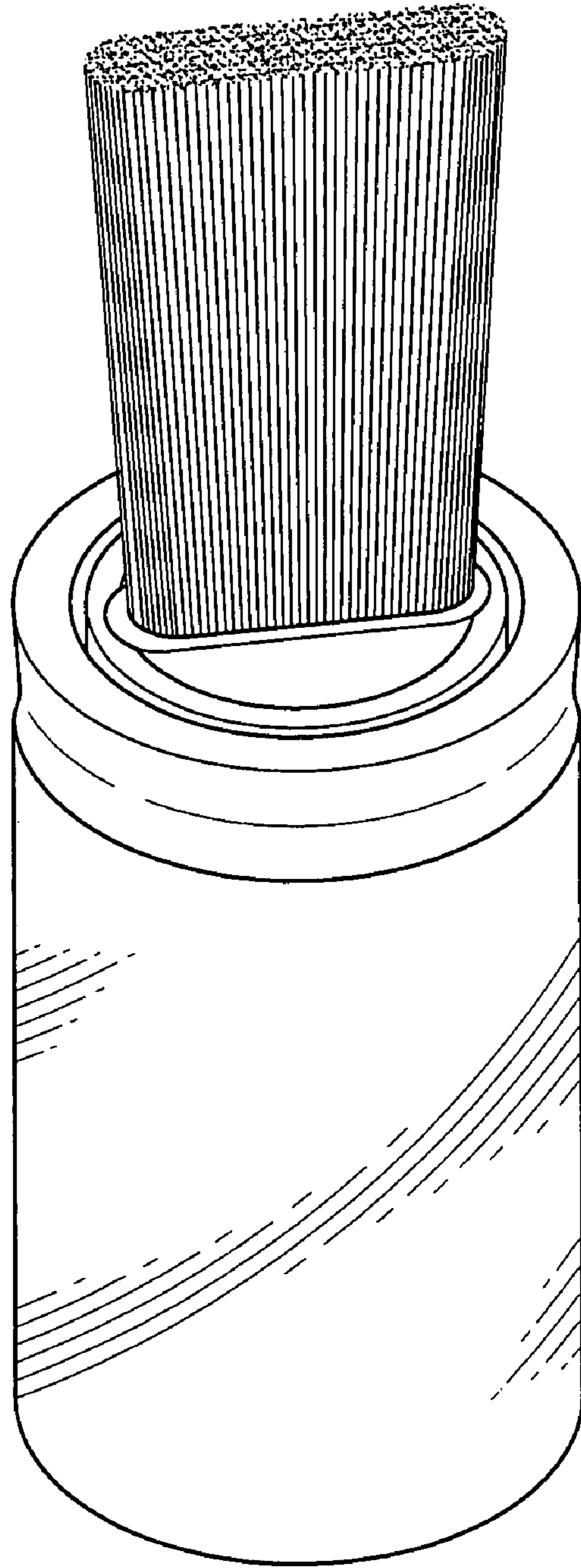
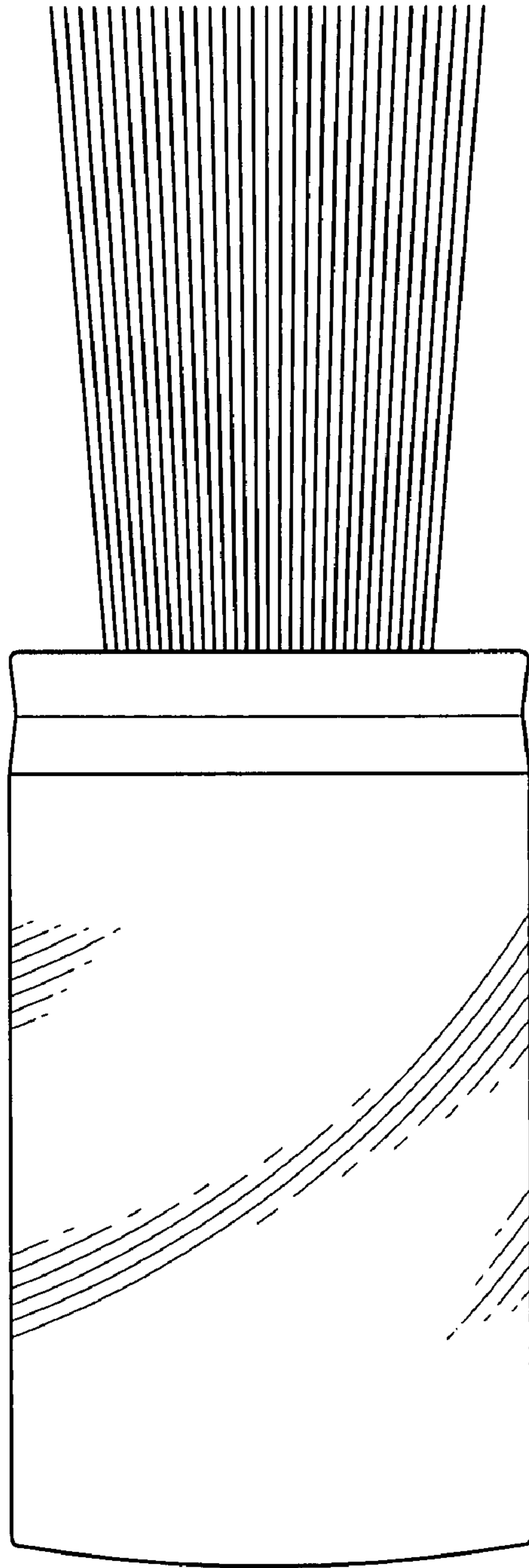
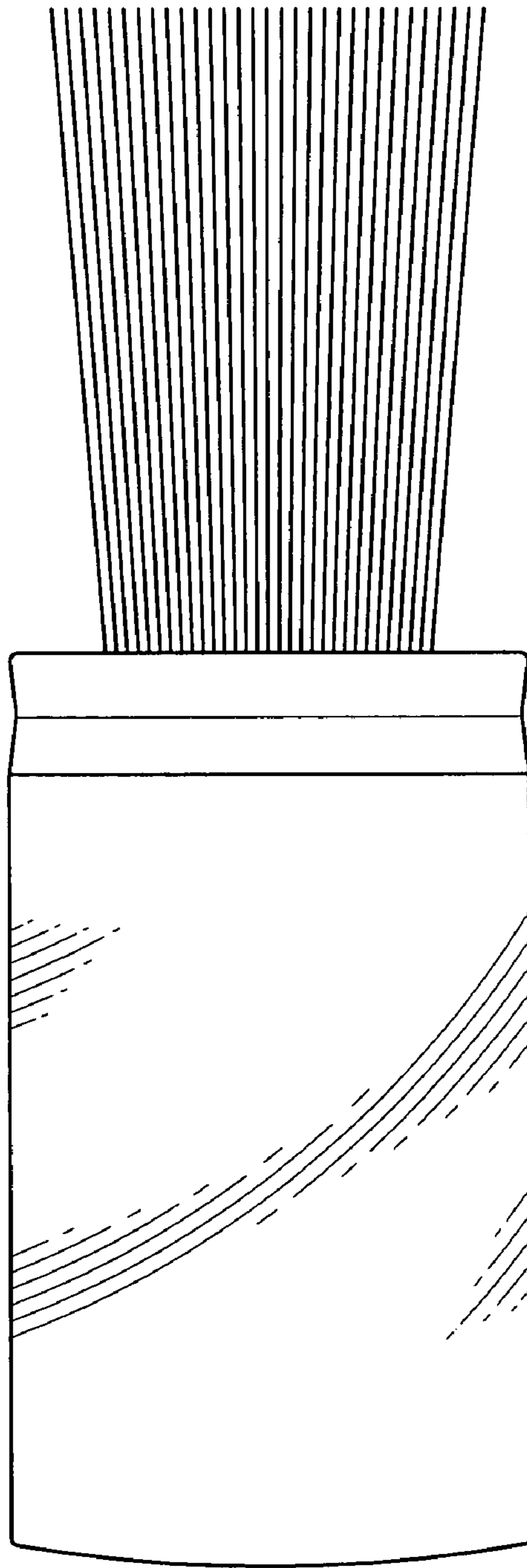


FIG. 1



F I G . 2



F I G . 3

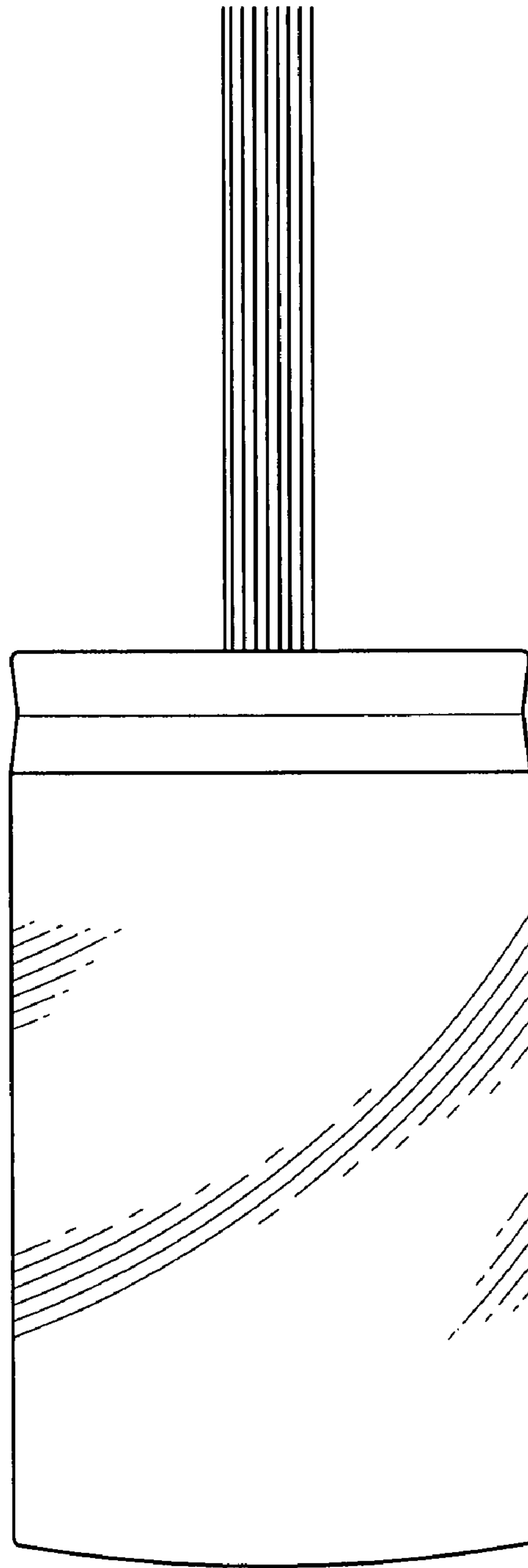


FIG. 4

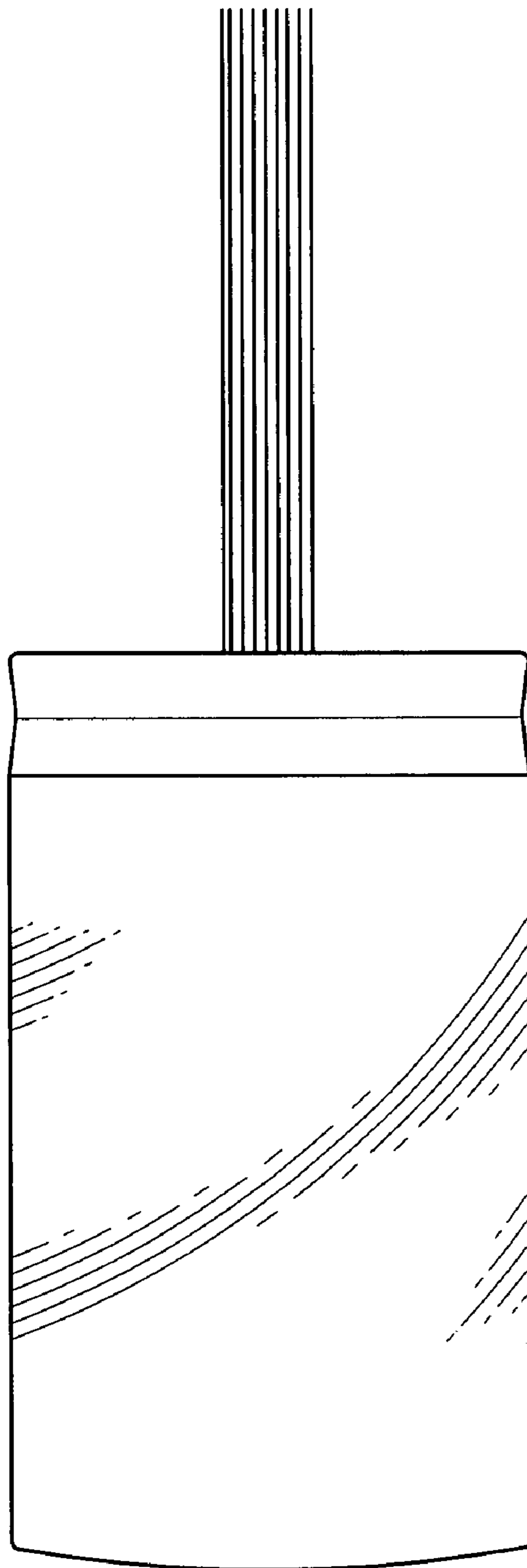
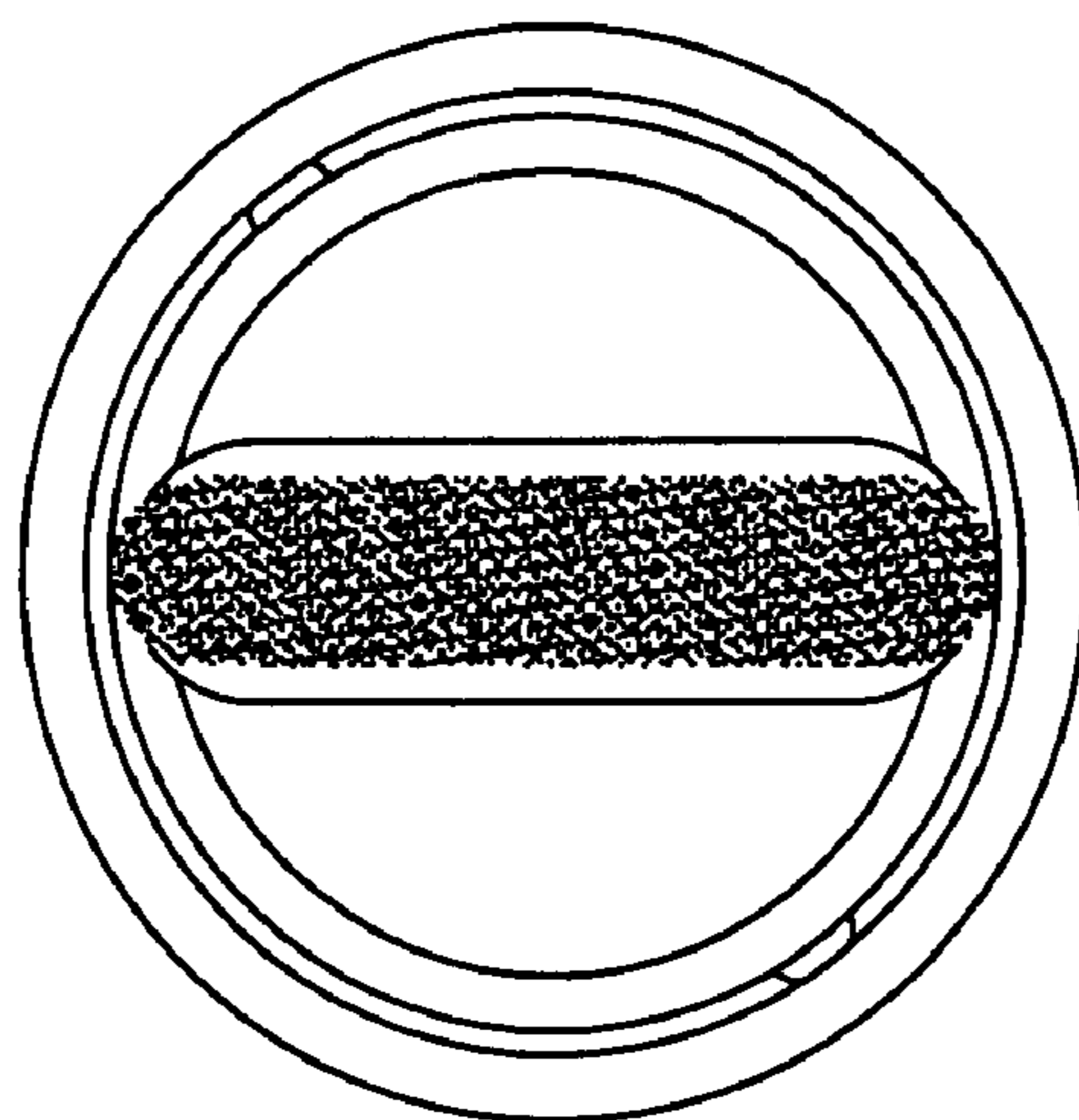
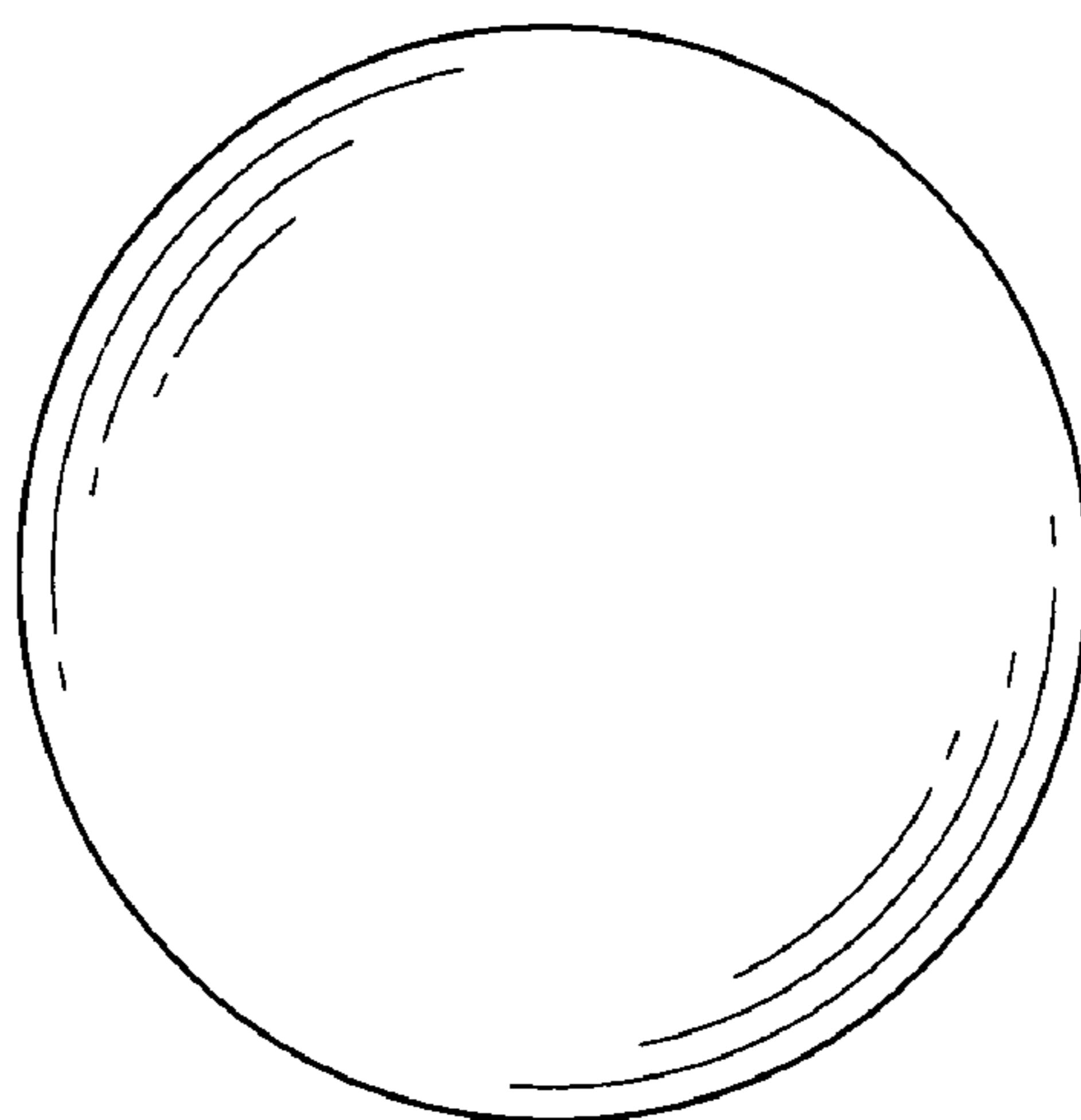


FIG. 5



F I G . 6



F I G . 7

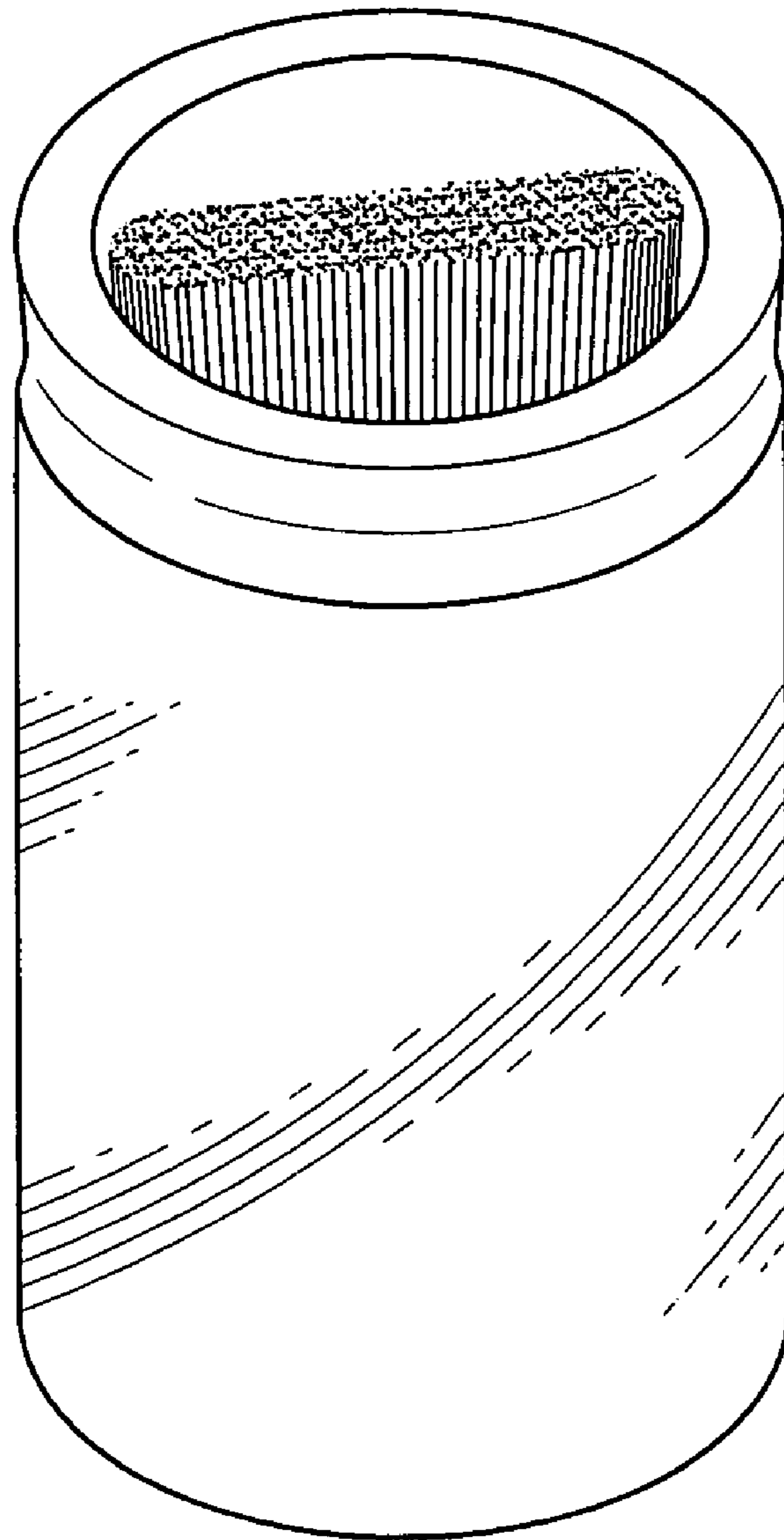


FIG. 8