

US00D567502S

(12) **United States Design Patent**
Stewart

(10) **Patent No.:** **US D567,502 S**

(45) **Date of Patent:** **** Apr. 29, 2008**

(54) **BAR HOLDER**

(76) **Inventor:** **Tucson Stewart**, 6536 W. Fremont Rd.,
Laveen, AZ (US) 85339

(**) **Term:** **14 Years**

(21) **Appl. No.:** **29/253,368**

(22) **Filed:** **Mar. 9, 2006**

(51) **LOC (8) Cl.** **03-01**

(52) **U.S. Cl.** **D3/228**

(58) **Field of Classification Search** D3/228,
D3/215, 224, 226; 224/240, 242, 245, 901,
224/904, 673, 677, 667; 206/336-340; D8/373
See application file for complete search history.

(56) **References Cited**

U.S. PATENT DOCUMENTS

D445,249 S *	7/2001	Russell	D3/228
D452,071 S *	12/2001	Snider	D3/228
D452,610 S *	1/2002	Schwartzmiller	D3/228
D530,908 S *	10/2006	Westcott	D3/228

* cited by examiner

Primary Examiner—Catherine R Oliver

(74) *Attorney, Agent, or Firm*—Parsons & Goltry; Robert A. Parsons; Michael W. Goltry

(57) **CLAIM**

The ornamental design for a bar holder, as shown and described.

DESCRIPTION

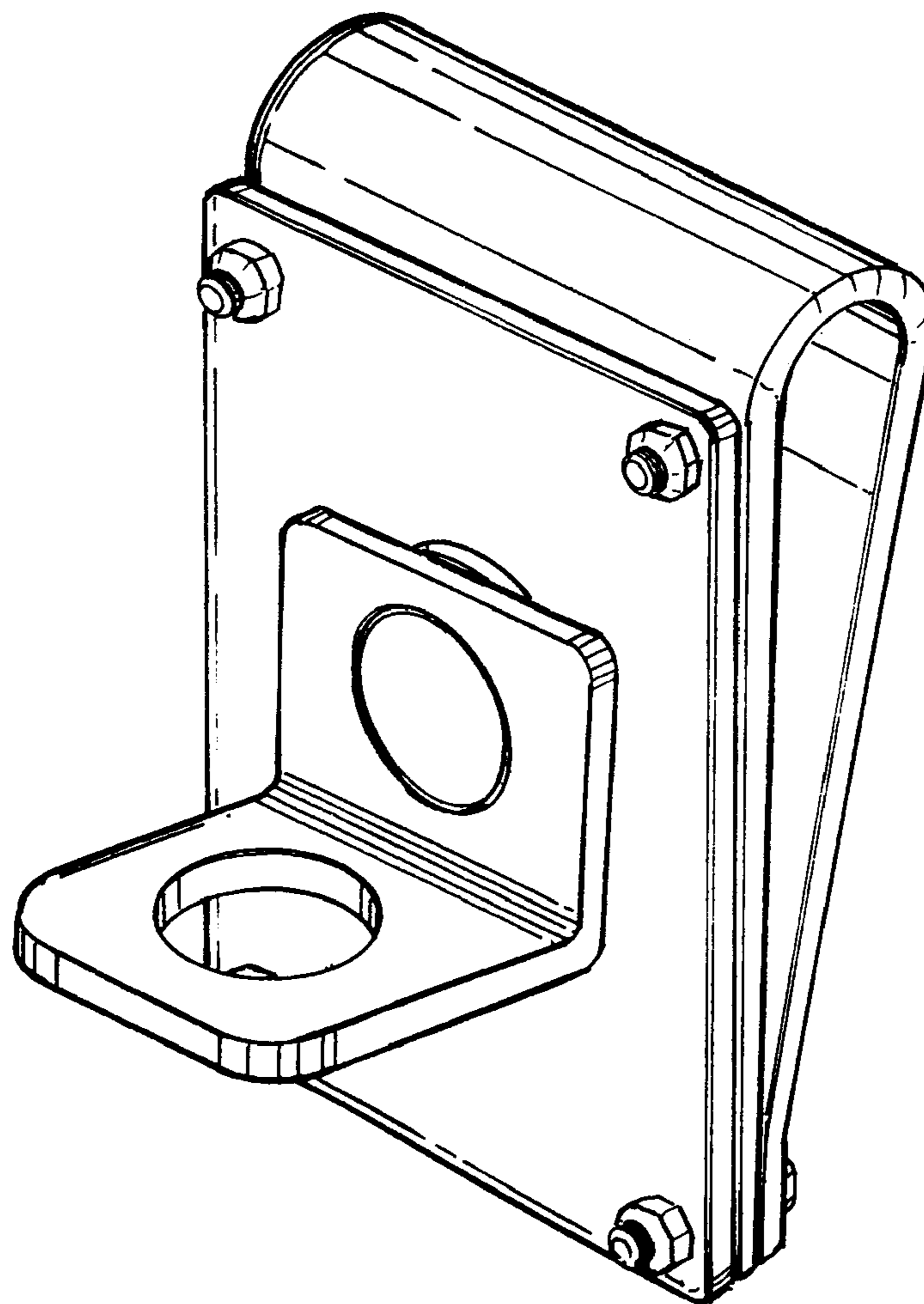
FIG. 1 is a perspective view of a bar holder showing my new design;

FIG. 2 is a front elevation view of the bar holder showing my new design;

FIG. 3 is a side view of the bar holder showing my new design; and,

FIG. 4 is a bottom view of the bar holder showing my new design.

1 Claim, 2 Drawing Sheets



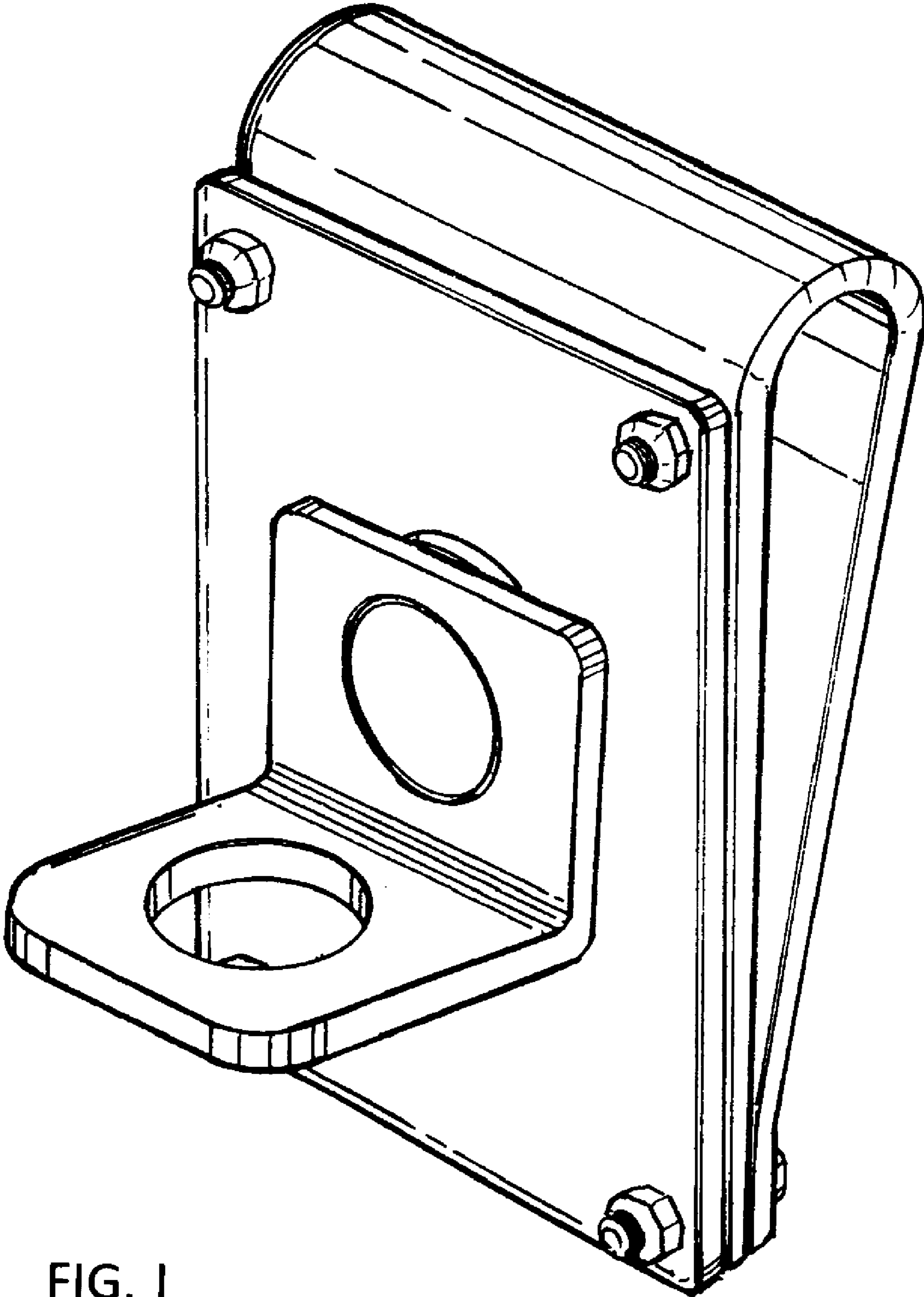


FIG. 1

FIG. 2

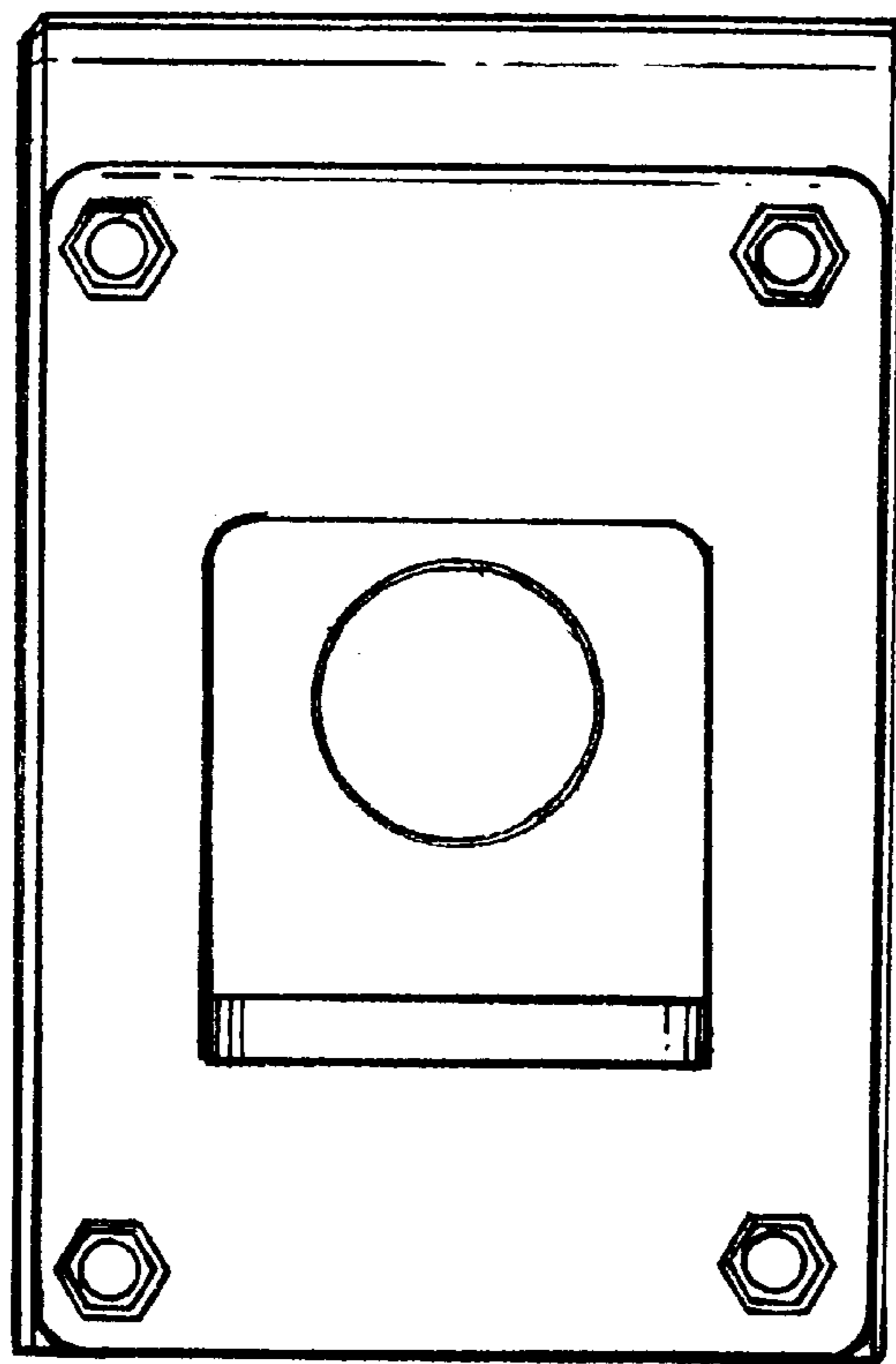


FIG. 3

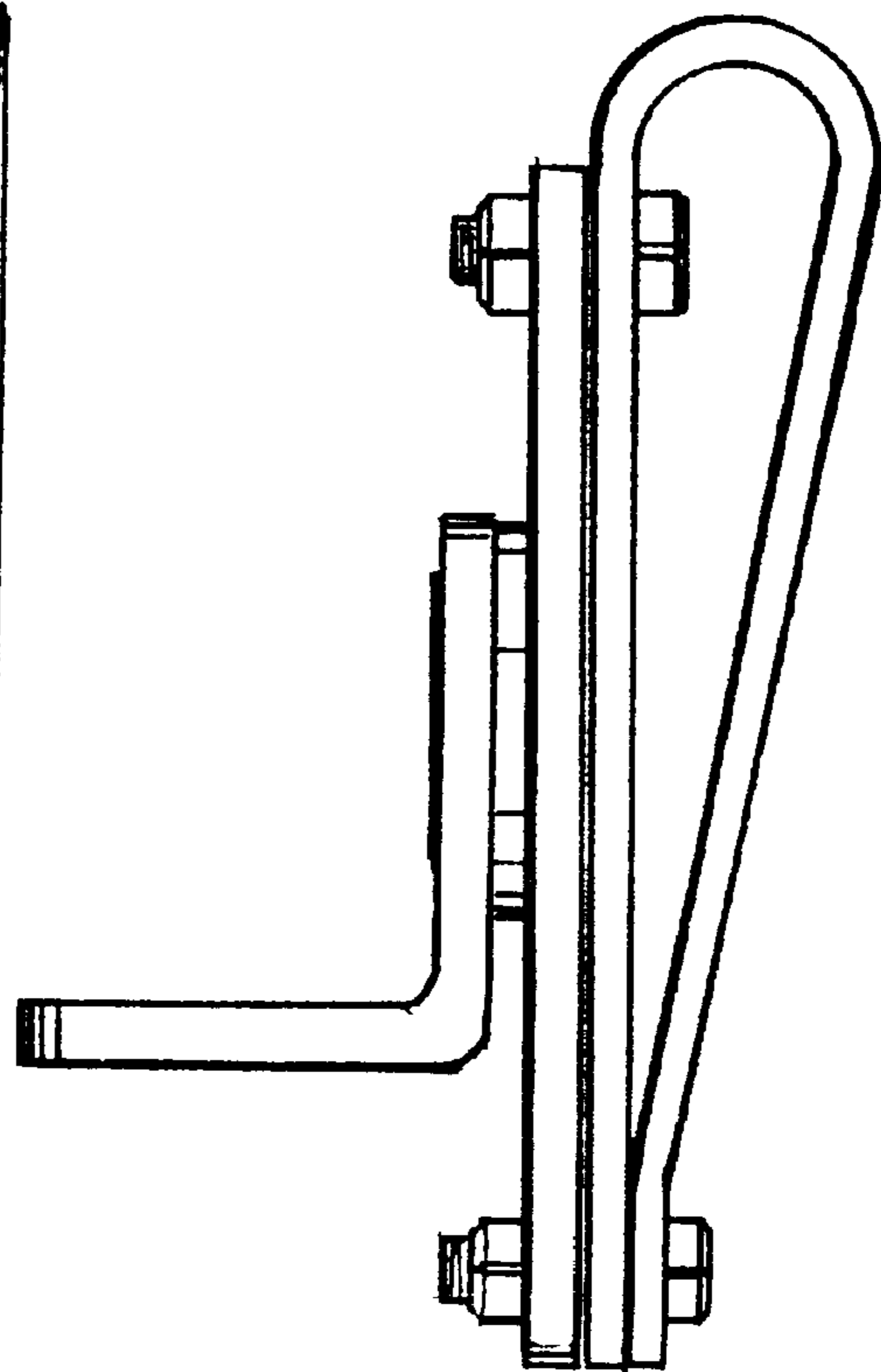


FIG. 4

