

US00D567496S

(12) **United States Design Patent**  
**Belley et al.**

(10) **Patent No.:** **US D567,496 S**  
(45) **Date of Patent:** **\*\* Apr. 29, 2008**

(54) **FOOTWEAR UPPER**

D548,442 S \* 8/2007 Hulbert ..... D2/969  
D556,434 S \* 12/2007 Walton ..... D2/969

(75) Inventors: **Manon Belley**, Laval (CA); **Julie St. Louis**, Montreal (CA); **Cristian Ardissono**, Venegazzu del Montello (IT)

**OTHER PUBLICATIONS**

Merrell Fall 2003 Catalog, p. 30.

\* cited by examiner

(73) Assignee: **Wolverine World Wide, Inc.**,  
Rockford, MI (US)

*Primary Examiner*—Dominic Simone

(74) *Attorney, Agent, or Firm*—Warner Norcross & Judd LLP

(\*\*) Term: **14 Years**

(57) **CLAIM**

(21) Appl. No.: **29/268,682**

The ornamental design for footwear upper, as shown and described.

(22) Filed: **Nov. 9, 2006**

(51) **LOC (8) Cl.** ..... **02-99**

**DESCRIPTION**

(52) **U.S. Cl.** ..... **D2/969**

FIG. 1 is a perspective view of the footwear upper embodying the new design;

(58) **Field of Classification Search** ..... D2/902,

D2/906–908, 943, 944, 969, 972–974, 946,  
D2/924, 926; 36/45, 50.1, 83, 88, 113, 114,  
36/126–130, 11

FIG. 2 is a top view thereof;

FIG. 3 is a right side view thereof;

FIG. 4 is a left side view thereof;

FIG. 5 is a front view thereof; and,

FIG. 6 is a rear view thereof.

See application file for complete search history.

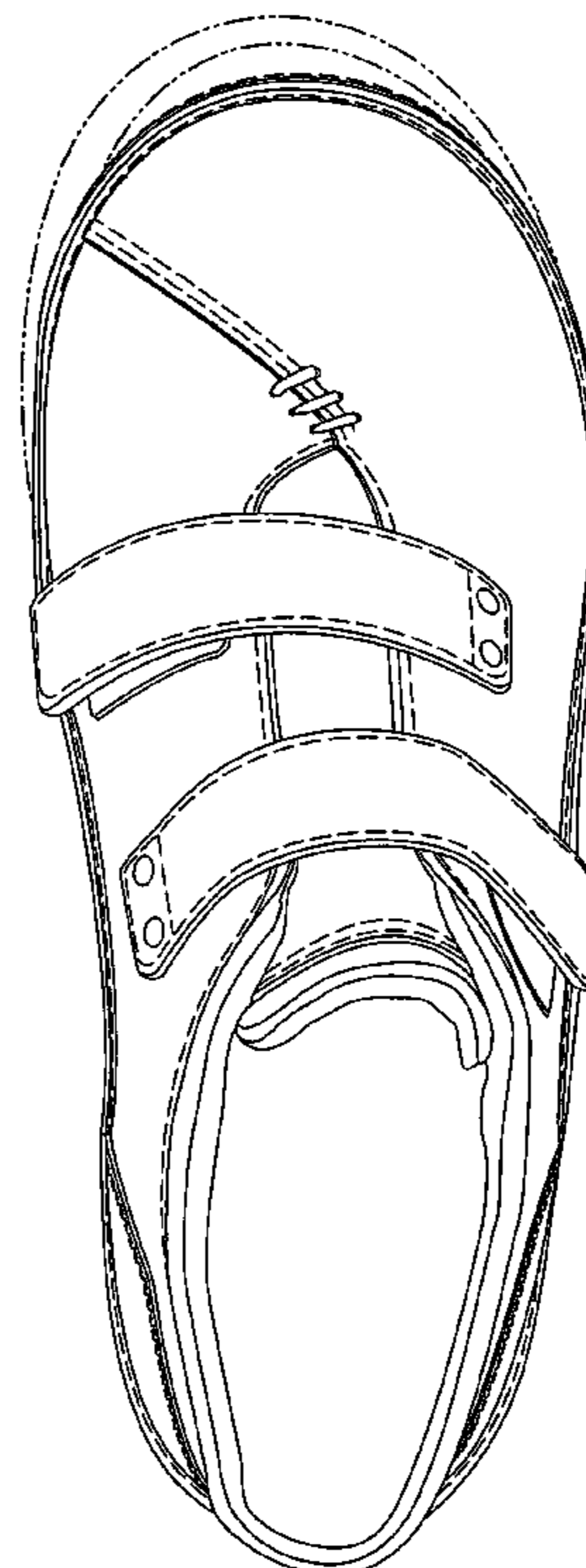
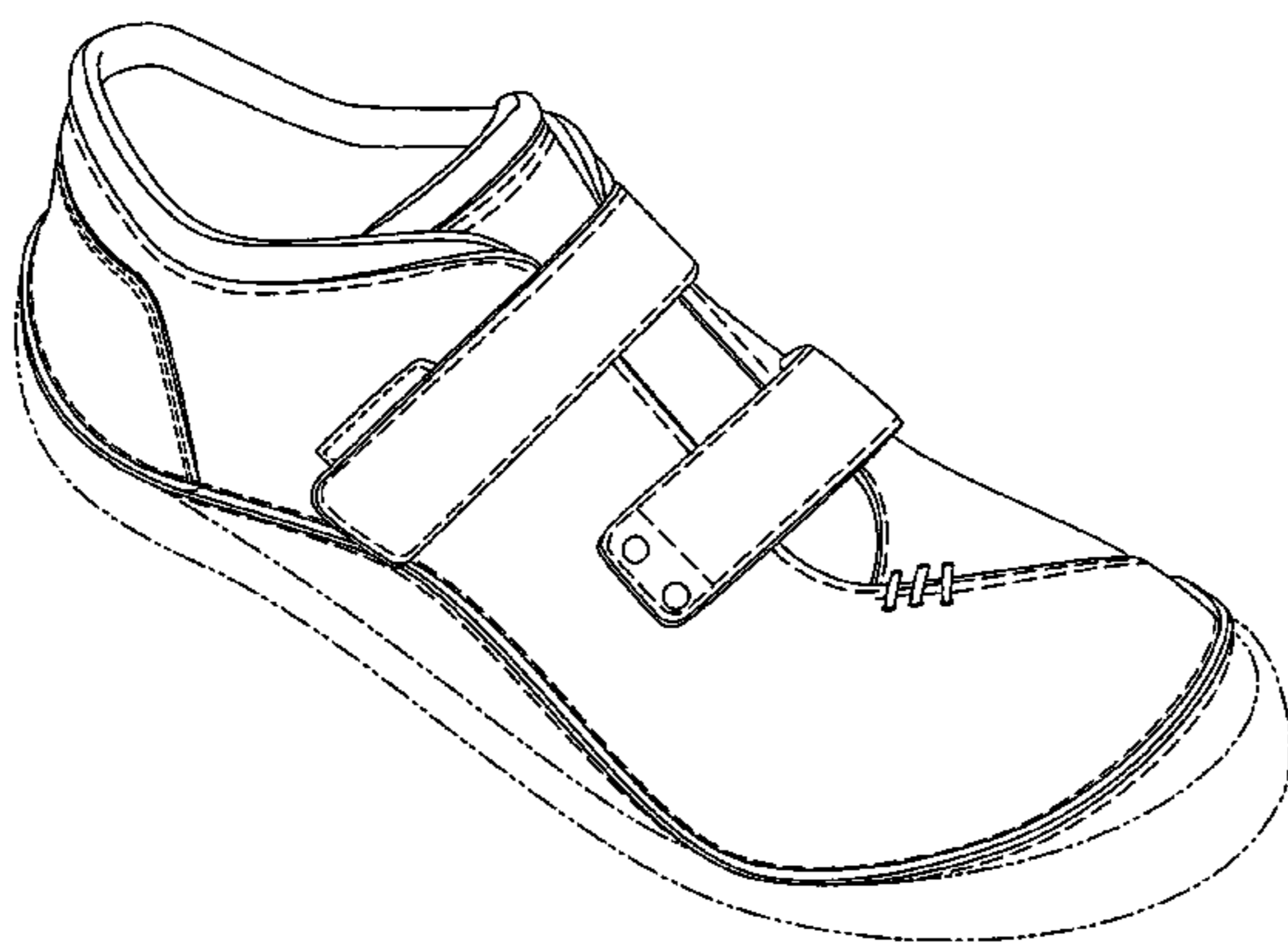
FIGS. 1–6 show features of an article of footwear in phantom lines. These features are shown for environmental purposes and do not form any part of the claimed design. Further, the phantom lines immediately adjacent the solid-line portions of the design form the boundary of the design, with the phantom lines forming no part of the claimed design.

(56) **References Cited**

**U.S. PATENT DOCUMENTS**

D404,553 S \* 1/1999 Greenberg ..... D2/969  
D447,858 S 9/2001 Matis et al.  
D475,186 S \* 6/2003 Shea et al. .... D2/969  
D514,785 S 2/2006 Schoenborn et al.  
D515,300 S 2/2006 White et al.  
D517,298 S \* 3/2006 James ..... D2/969  
D538,517 S \* 3/2007 Della Valle ..... D2/907  
D540,519 S \* 4/2007 Hobson ..... D2/969  
D547,043 S \* 7/2007 Matis et al. .... D2/969

**1 Claim, 4 Drawing Sheets**



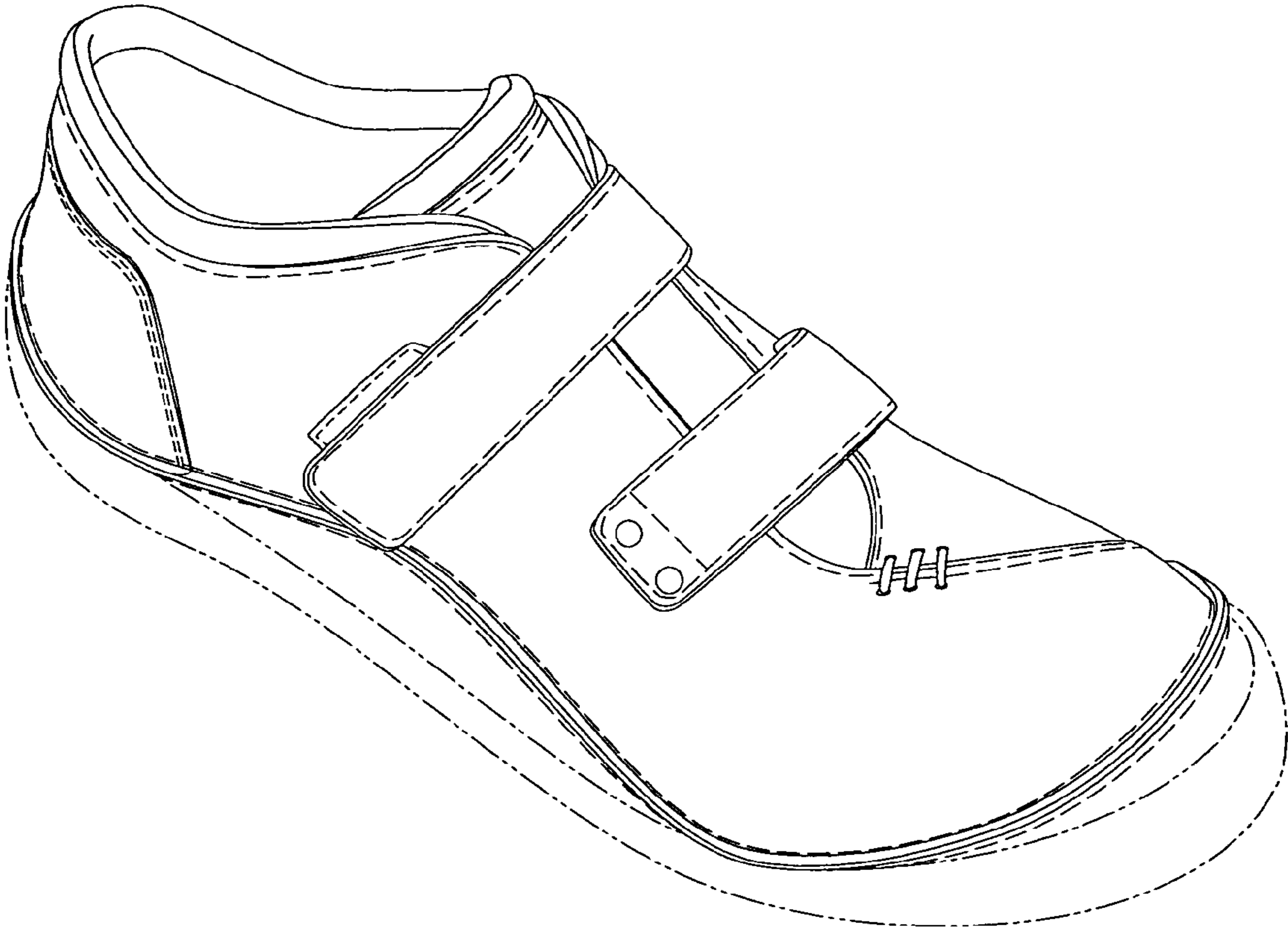


Fig. 1

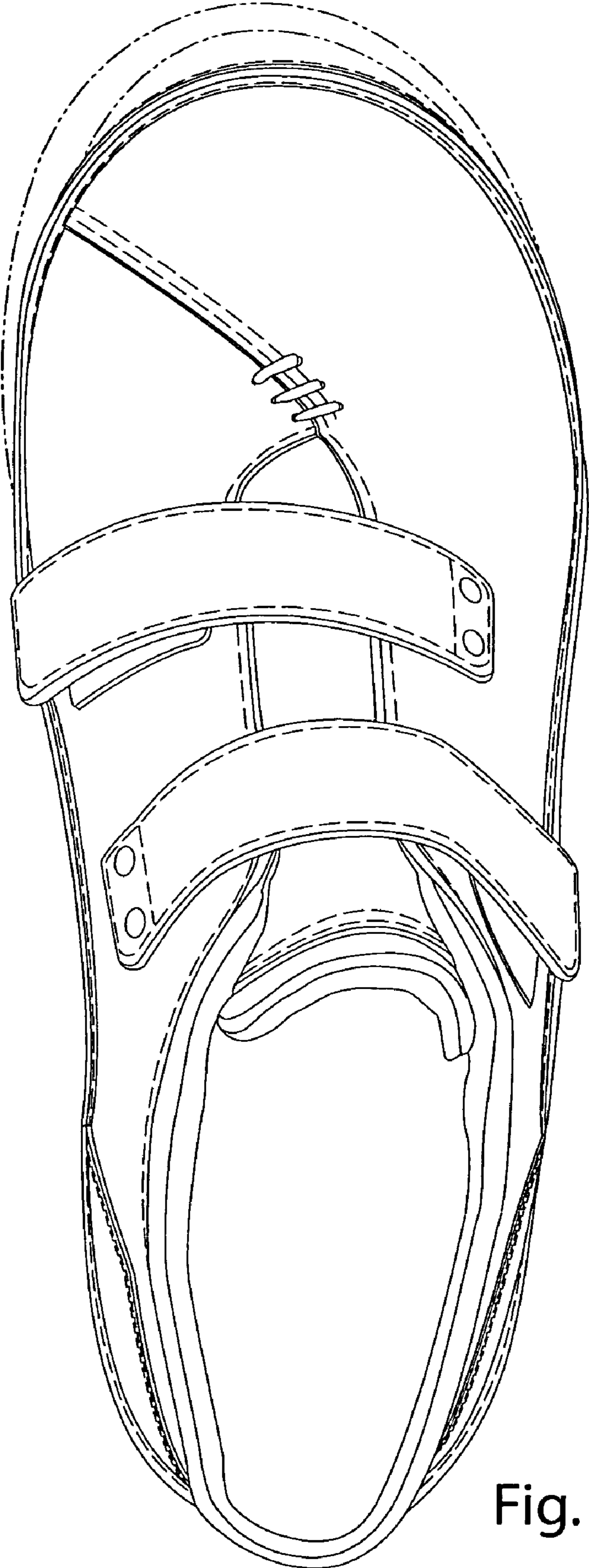


Fig. 2

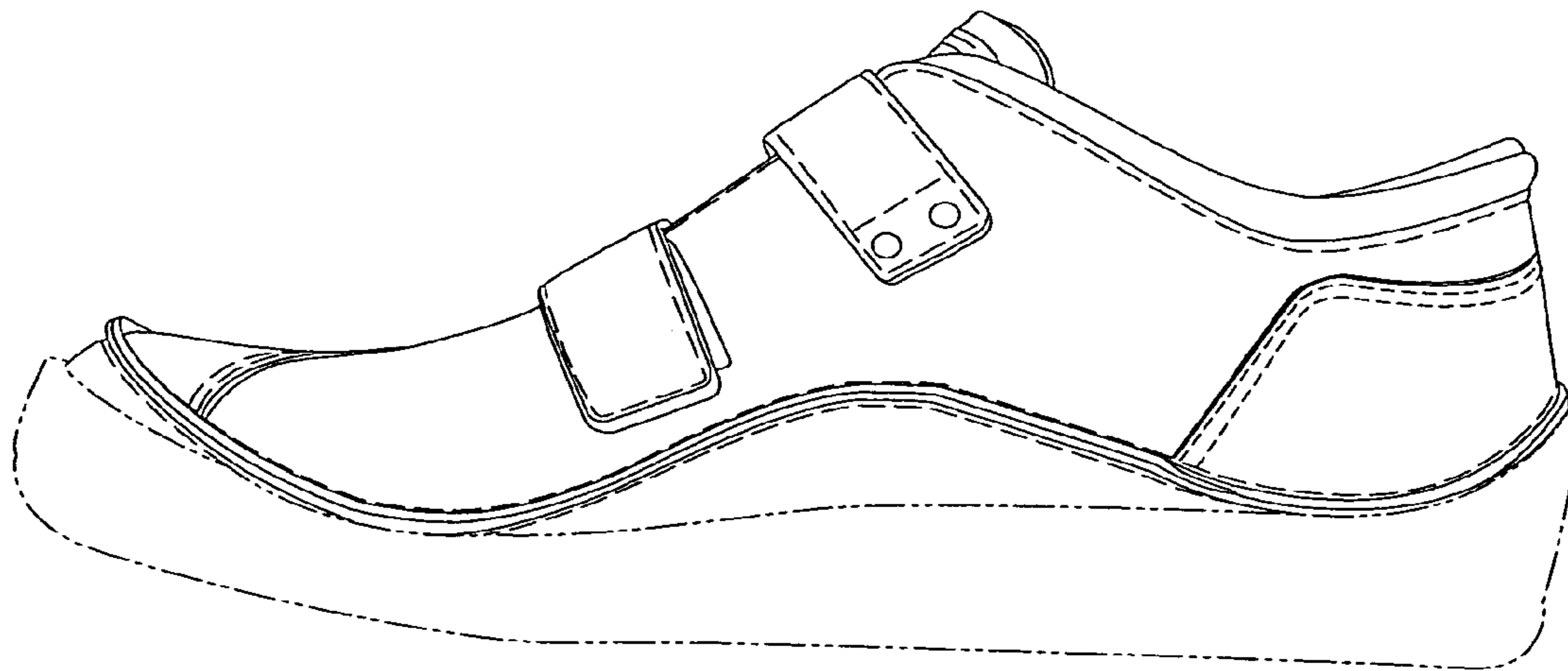


Fig. 3

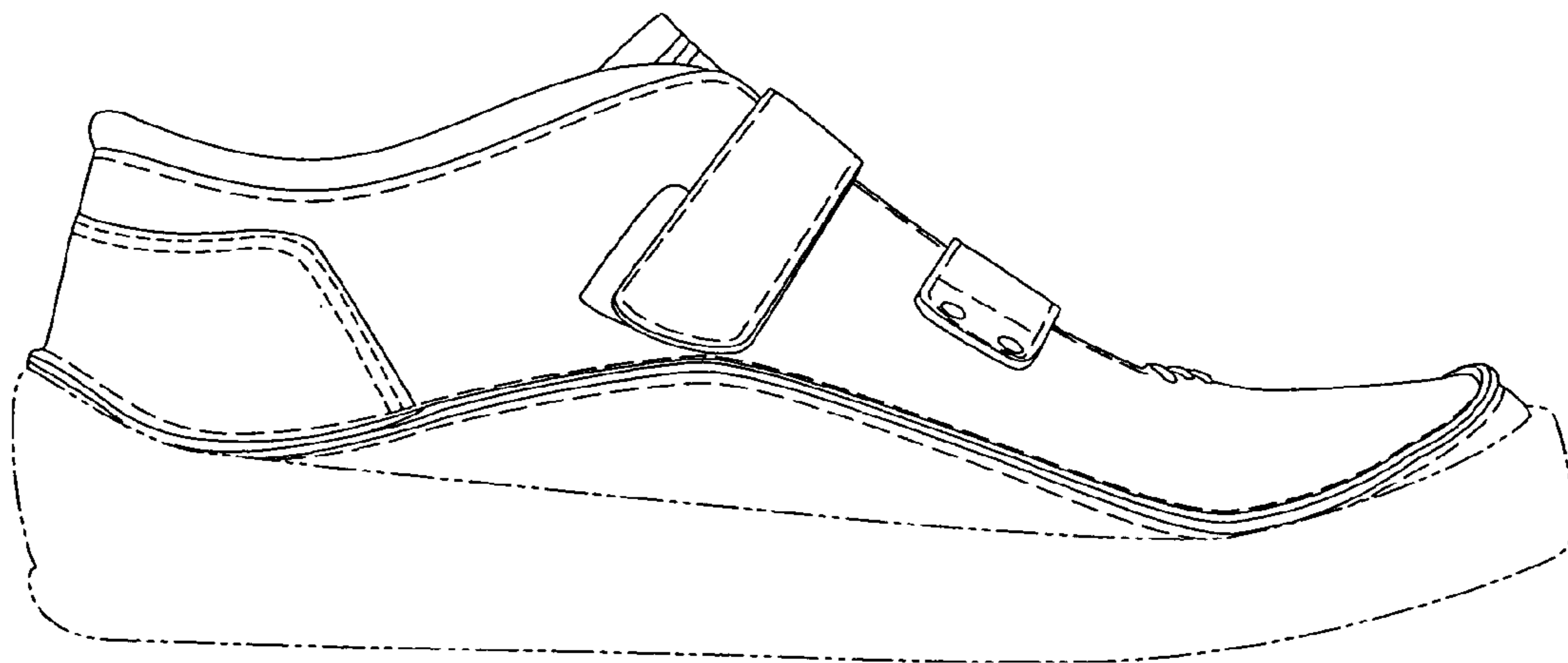


Fig. 4

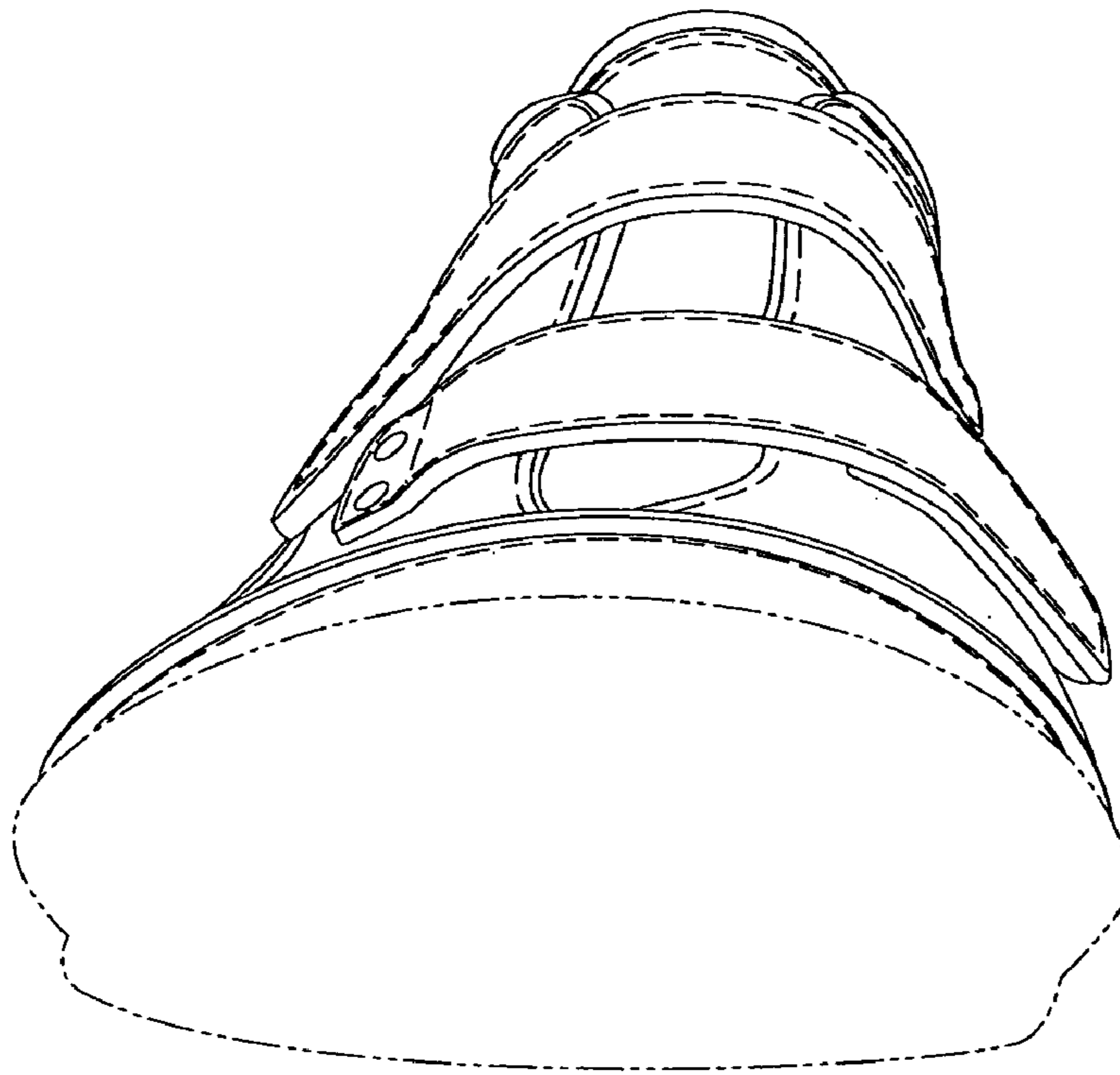


Fig. 5

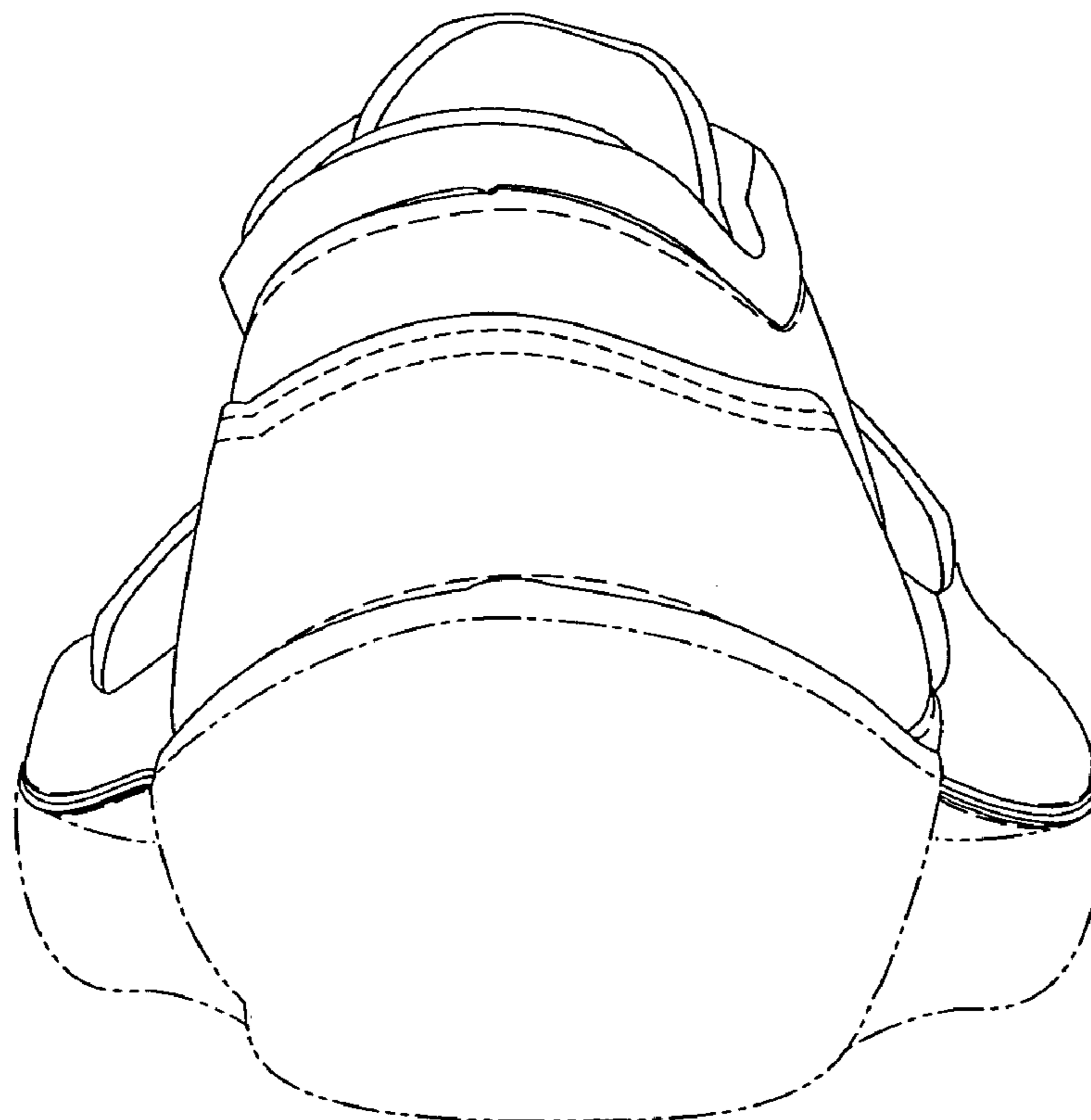


Fig. 6