



US00D567487S

(12) **United States Design Patent**
Choi

(10) **Patent No.:** **US D567,487 S**
(45) **Date of Patent:** **** Apr. 29, 2008**

(54) **FOOTWEAR**

(75) Inventor: **Sandra Choi**, London (GB)

(73) Assignee: **J. Choo Limited**, London (GB)

(**) Term: **14 Years**

(21) Appl. No.: **29/271,801**

(22) Filed: **Jan. 29, 2007**

(30) **Foreign Application Priority Data**

Jul. 28, 2006 (EM) 000572219-0022

(51) **LOC (8) Cl.** **02-04**

(52) **U.S. Cl.** **D2/926; D2/971**

(58) **Field of Classification Search** D2/916-918,
D2/925-945, 971, 964, 965, 969; 36/1, 11.5,
36/9 R

See application file for complete search history.

(56) **References Cited**

U.S. PATENT DOCUMENTS

D85,015 S	9/1931	Troy	
D92,865 S	7/1934	Morali	
D93,707 S	10/1934	Elkin	
D93,710 S *	10/1934	Elkin	D2/930
D94,274 S	1/1935	Levine	
D95,680 S	5/1935	Goodkind	
D97,762 S	12/1935	Elkin	
D98,311 S	1/1936	Goldman	
D102,140 S	12/1936	Miller	
D102,622 S	1/1937	Odenchrants	
D103,180 S *	2/1937	McCain	D2/930
D103,396 S *	3/1937	Grossmann	D2/931
D105,227 S	7/1937	Moore	
D108,126 S	1/1938	Maling	
D115,875 S *	7/1939	Elkin	D2/940
D129,196 S *	8/1941	Elkin	D2/930
D452,771 S *	1/2002	Jacobs	D2/926

(Continued)

OTHER PUBLICATIONS

Michael Kors, Shoe, printed from Saksfifthavenue.com on Dec. 6, 2004.

U.S. Appl. No. 29/269,480, filed Nov. 30, 2006.

U.S. Appl. No. 29/271,819, filed Jan. 26, 2007.

Primary Examiner—Dominic Simone

(74) *Attorney, Agent, or Firm*—Fross Zelnick Lehrman & Zissu, P.C.; Lawrence E. Apolzon, Esq.

(57) **CLAIM**

The ornamental design for footwear, as shown and described.

DESCRIPTION

FIG. 1 is a front perspective view of a shoe showing my footwear design;

FIG. 2 is a left side view of the footwear shown in FIG. 1;

FIG. 3 is a right side view of the footwear shown in FIG. 1;

FIG. 4 is a front view of the footwear shown in FIG. 1;

FIG. 5 is a rear view of the footwear shown in FIG. 1;

FIG. 6 is a top view of the footwear shown in FIG. 1;

FIG. 7 is a front perspective view of an alternative embodiment of the footwear shown in FIG. 1;

FIG. 8 is left side view of the alternative embodiment of the footwear shown in FIG. 7;

FIG. 9 is a right side view of the alternative embodiment of the footwear shown in FIG. 7;

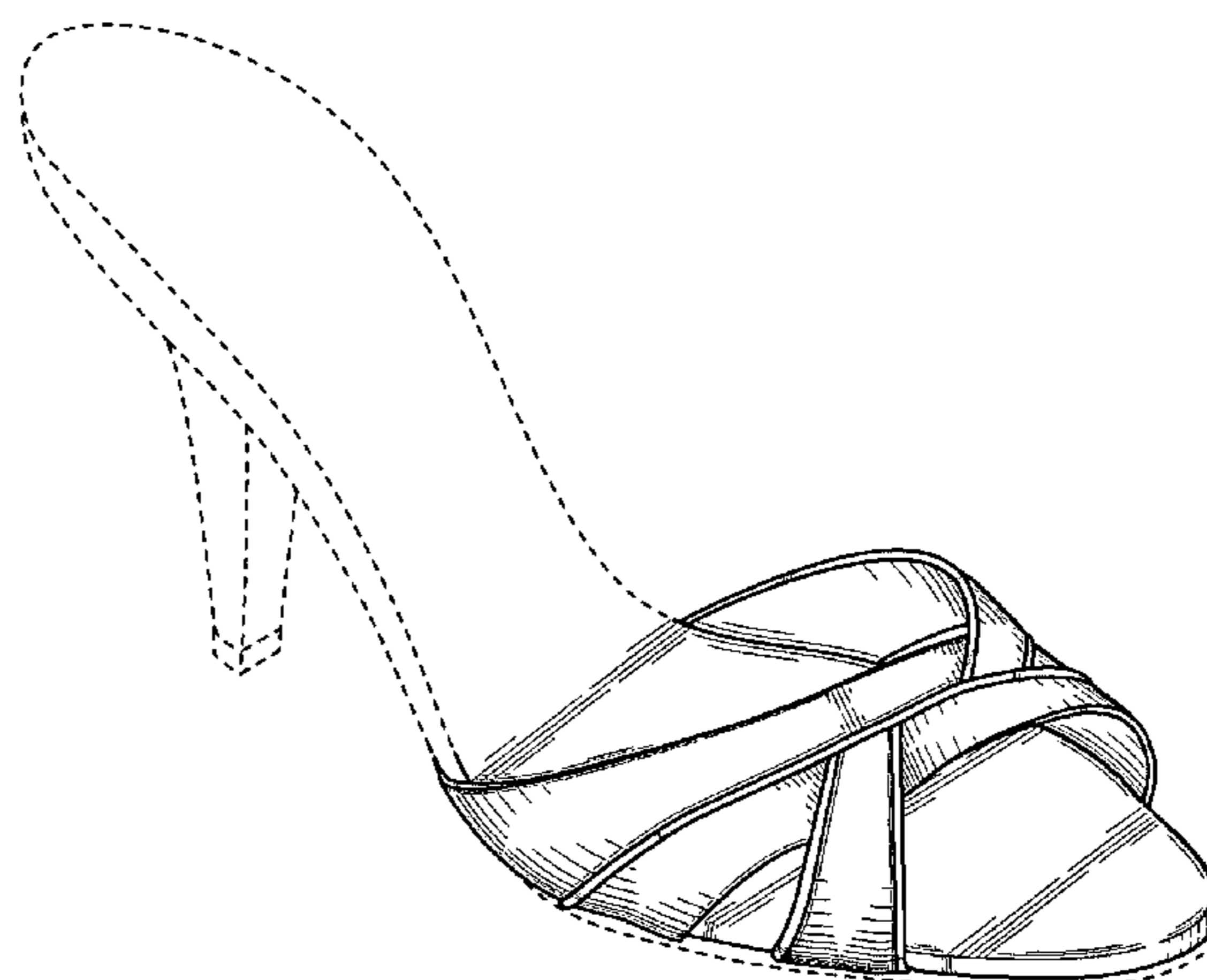
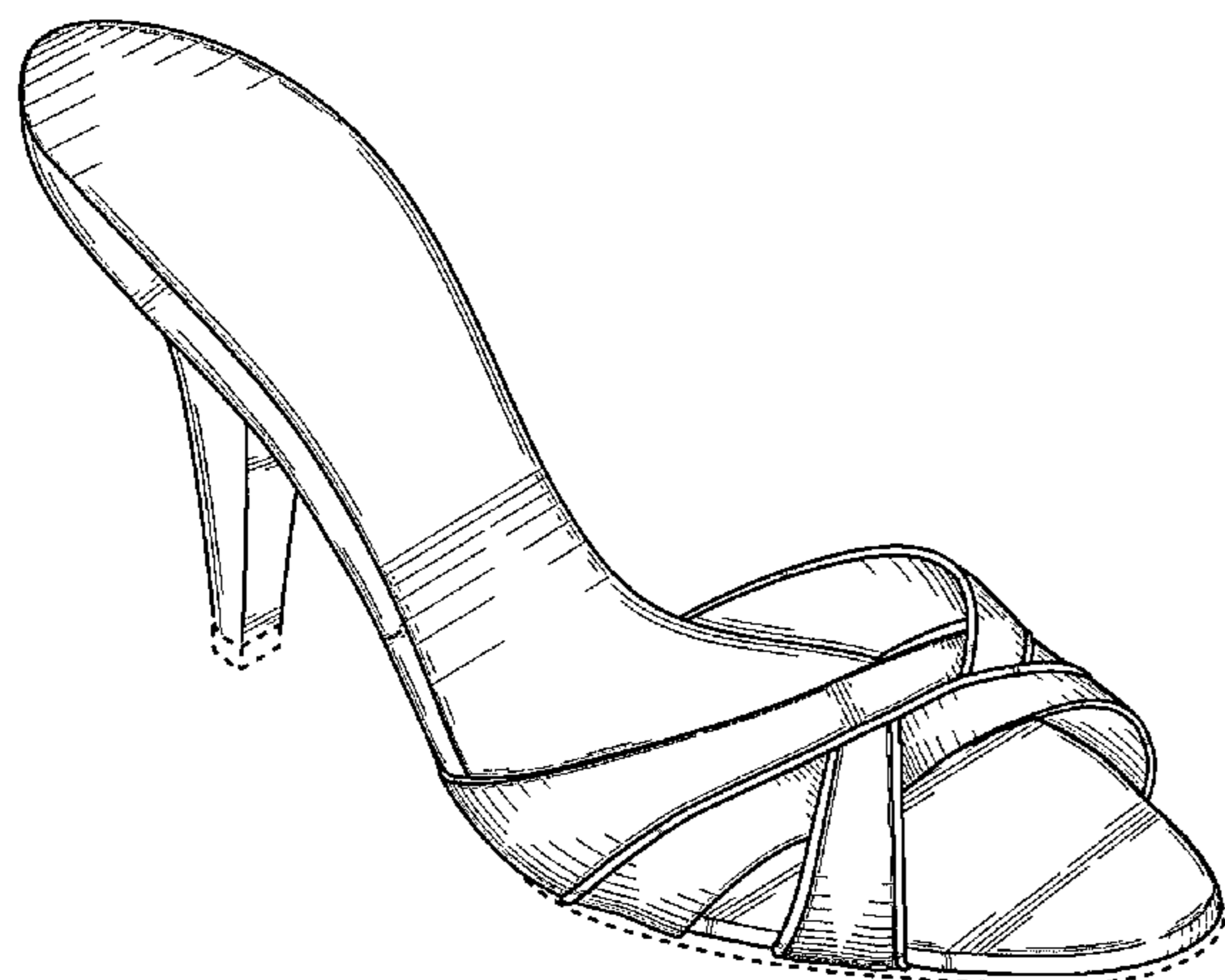
FIG. 10 is a front view of the alternative embodiment of the footwear shown in FIG. 7;

FIG. 11 is a rear view of the alternative embodiment of the footwear shown in FIG. 7; and,

FIG. 12 is a top view of the alternative embodiment of the footwear shown in FIG. 7.

The broken line showing of the sole, heel, heel cap and portion of footbed is for illustrative purposes only and forms no part of the claimed design.

1 Claim, 12 Drawing Sheets



US D567,487 S

Page 2

U.S. PATENT DOCUMENTS

D512,210 S	*	12/2005	Choi	D2/971	D530,495 S	*	10/2006	Choi	D2/971
D515,789 S		2/2006	Choi		D531,785 S	*	11/2006	Choi	D2/926
D523,613 S	*	6/2006	Weitzman	D2/925	D558,969 S	*	1/2008	Guers-Neyrud et al.	D2/971
D526,769 S		8/2006	Choi		D559,524 S	*	1/2008	Guers-Neyrud et al.	D2/971

* cited by examiner



FIG. 1

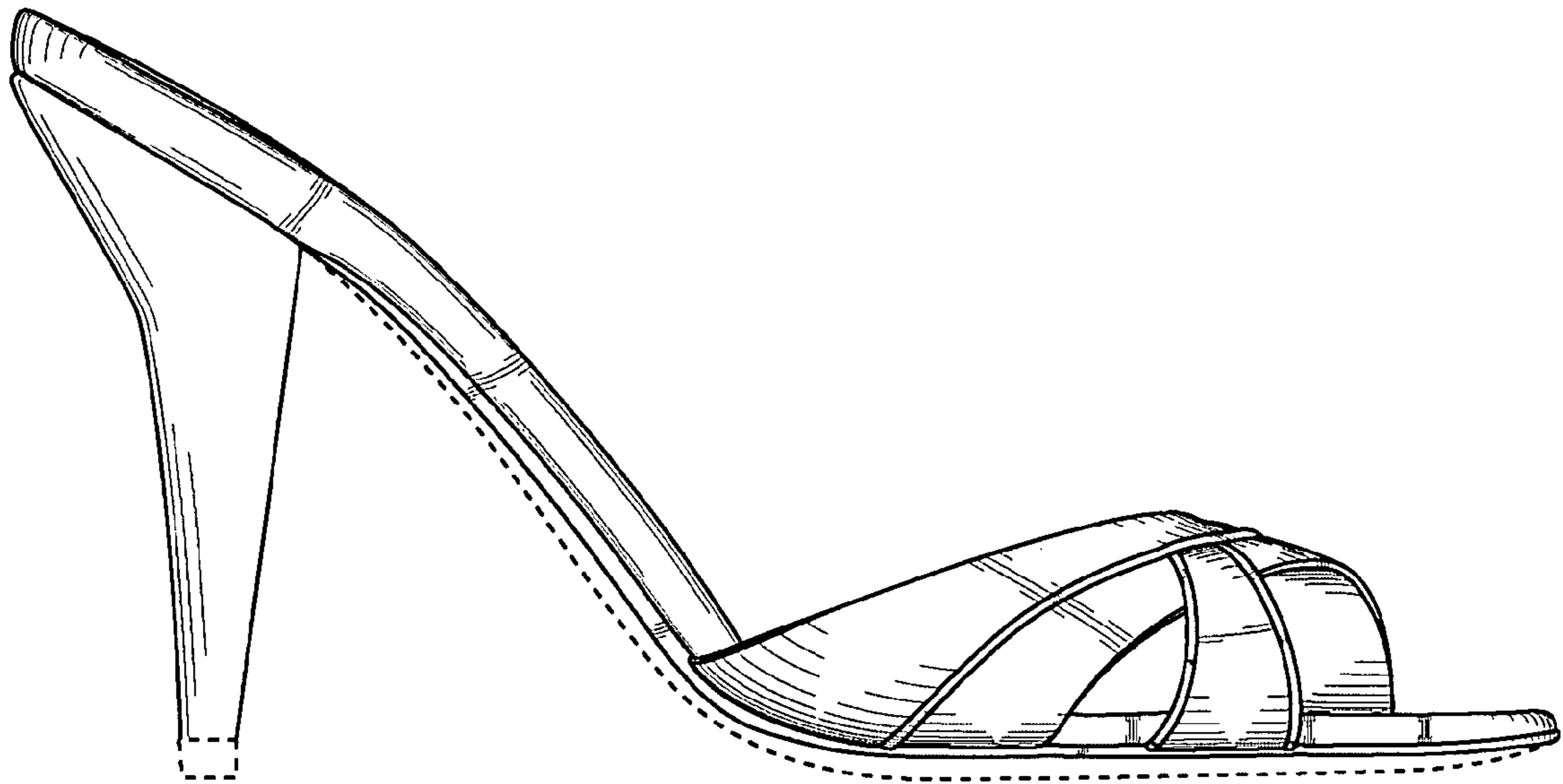


FIG. 2

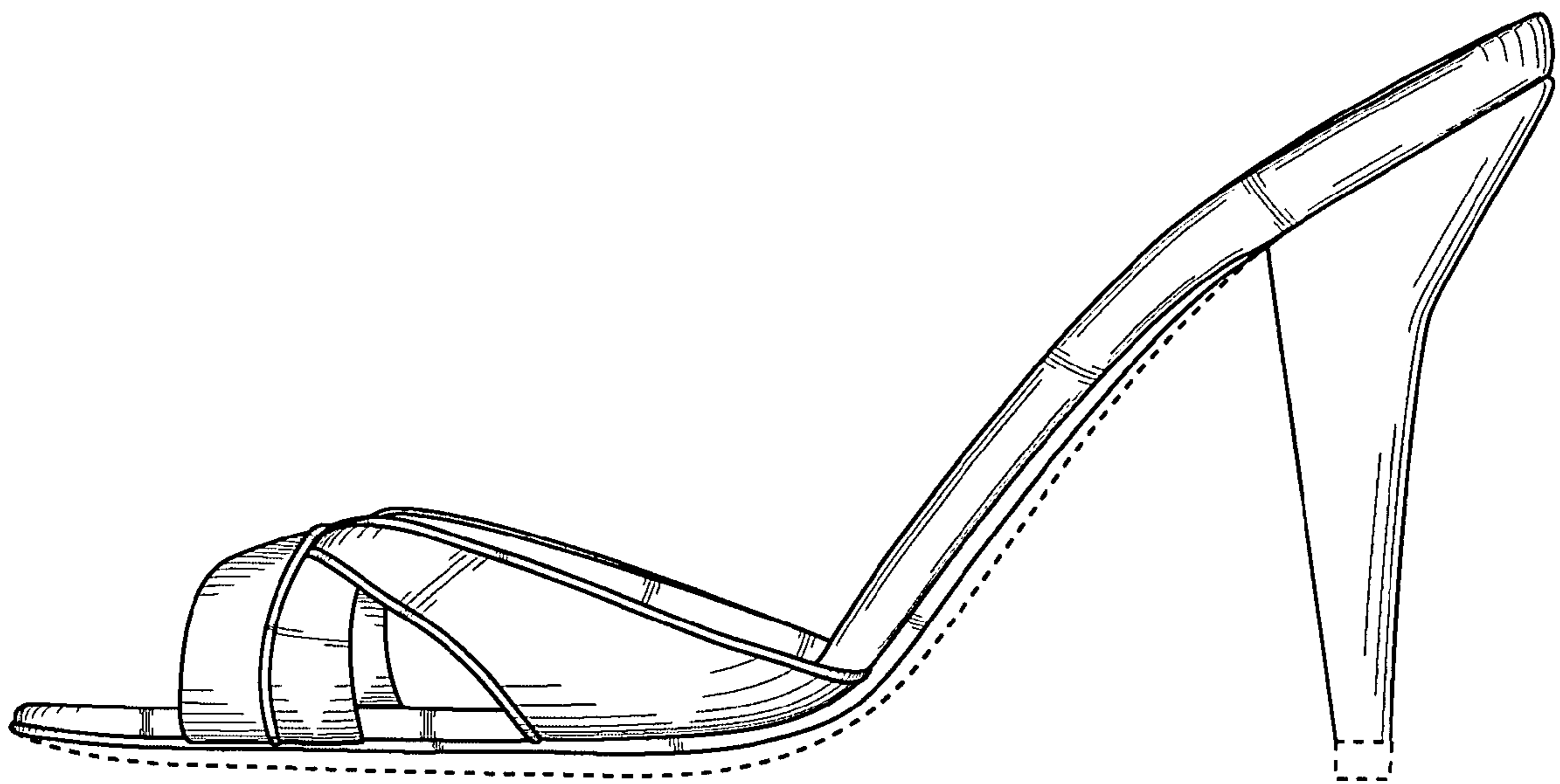


FIG. 3

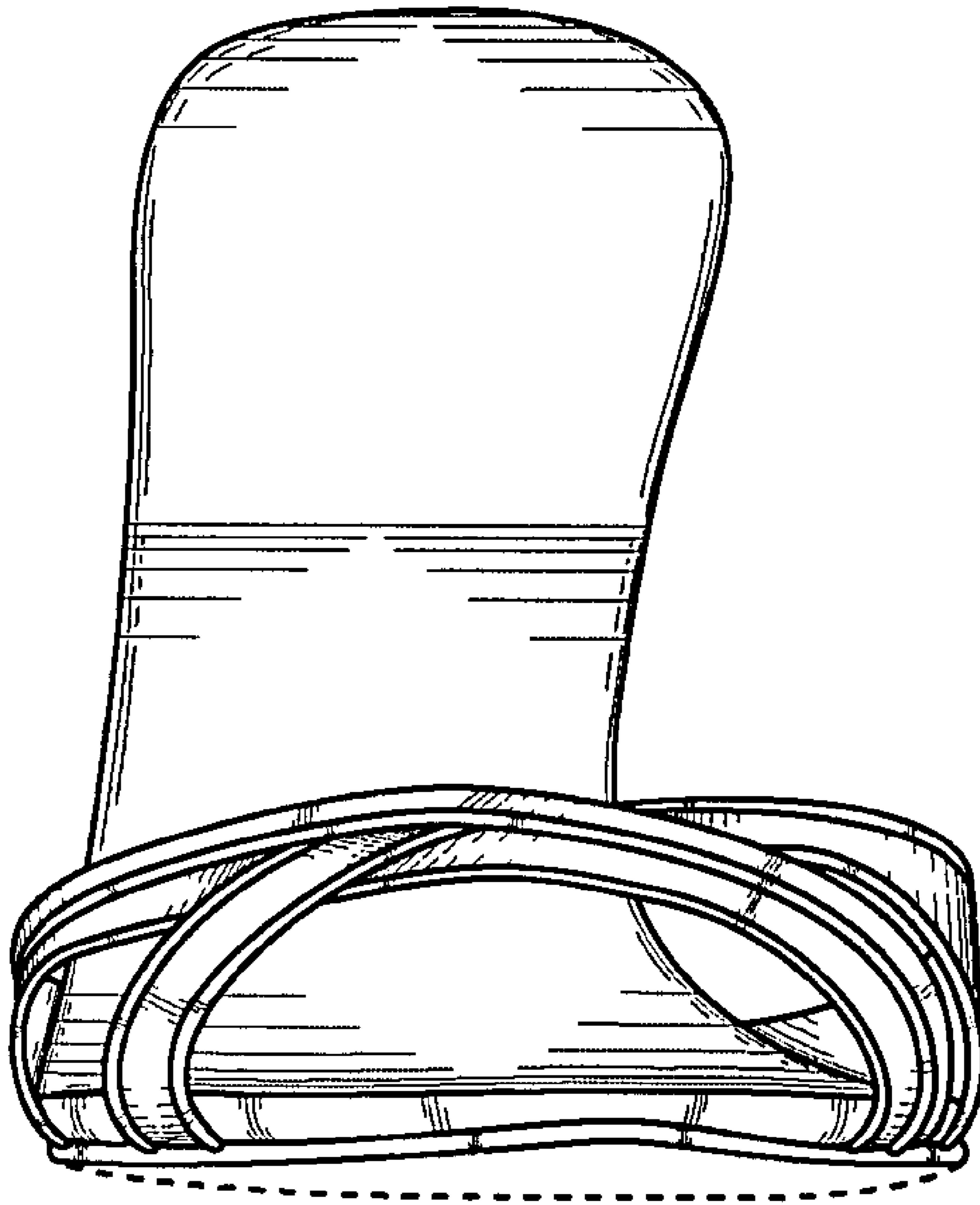


FIG. 4

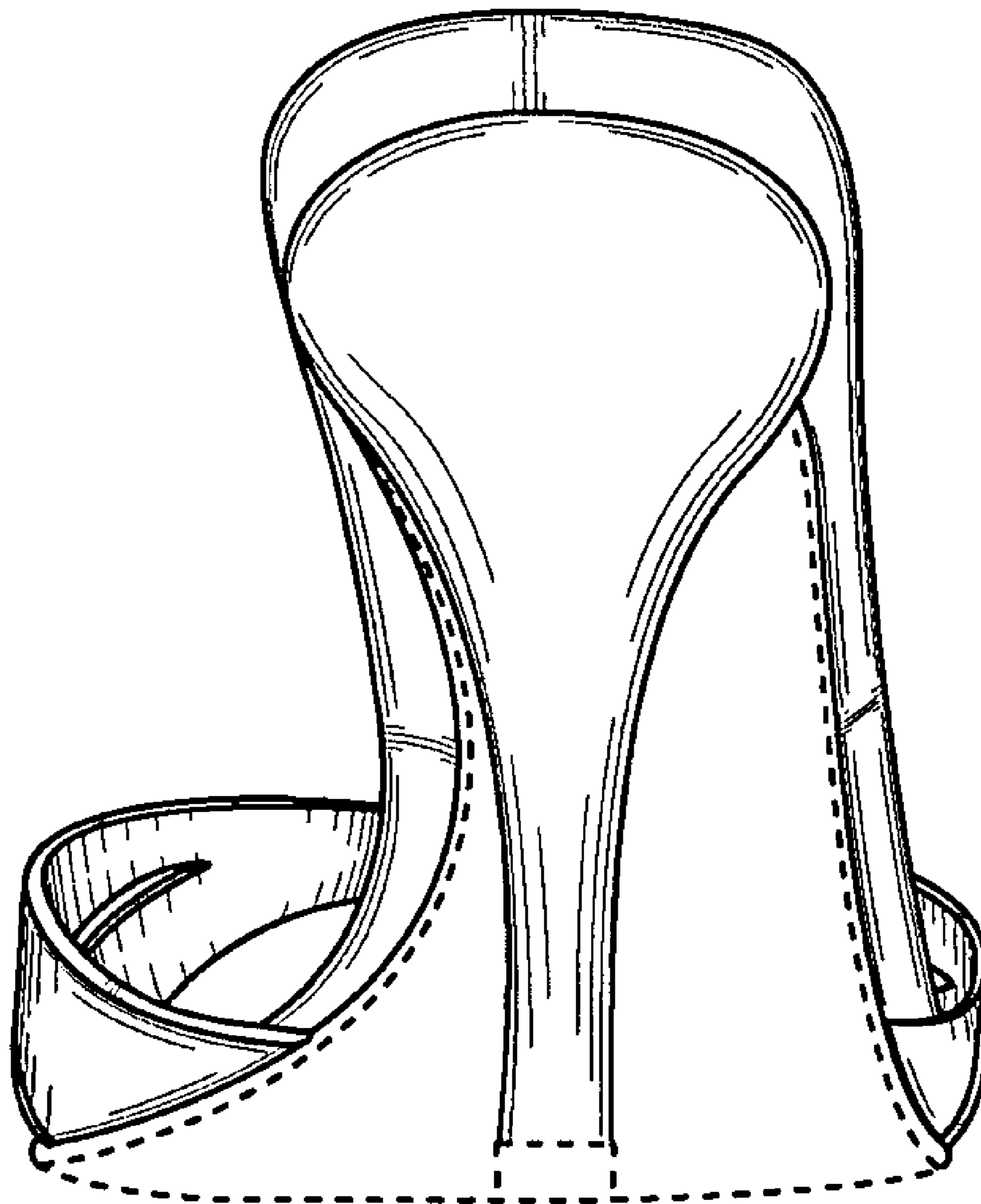


FIG. 5

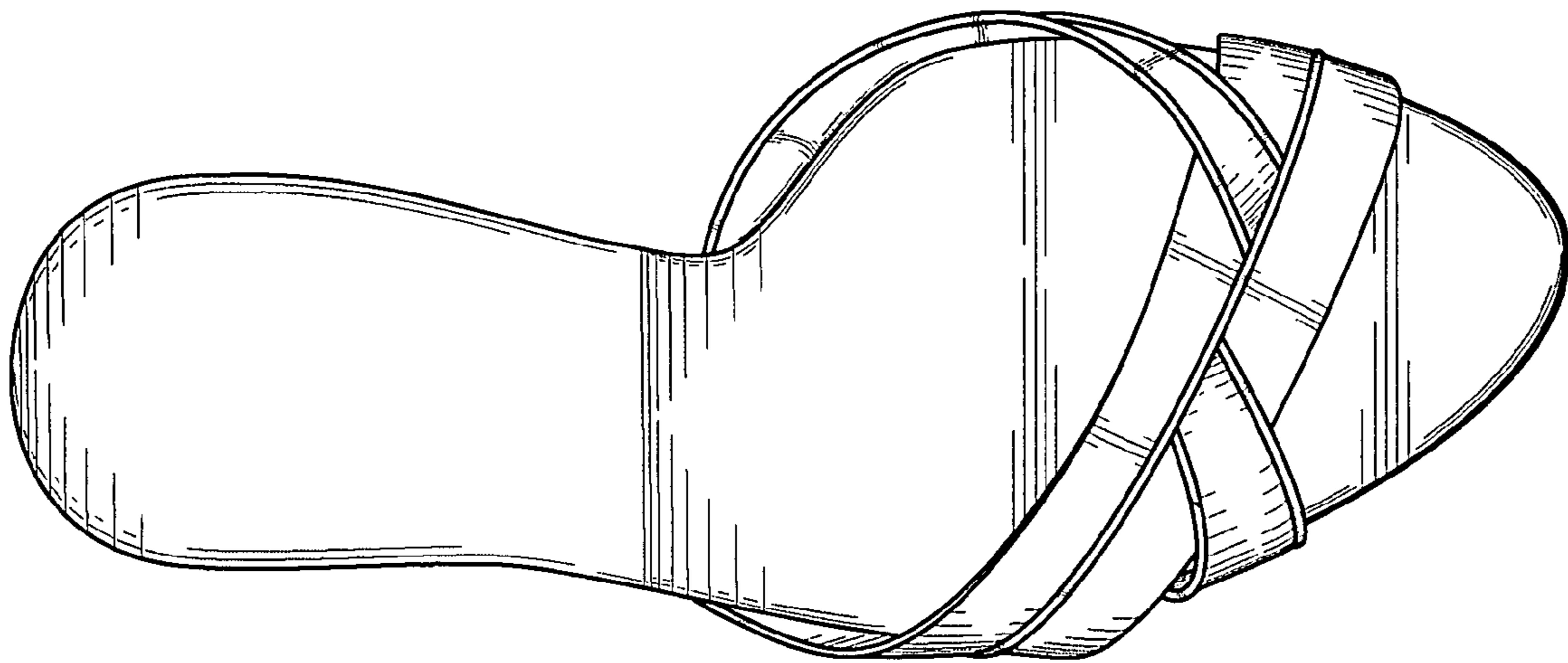


FIG. 6

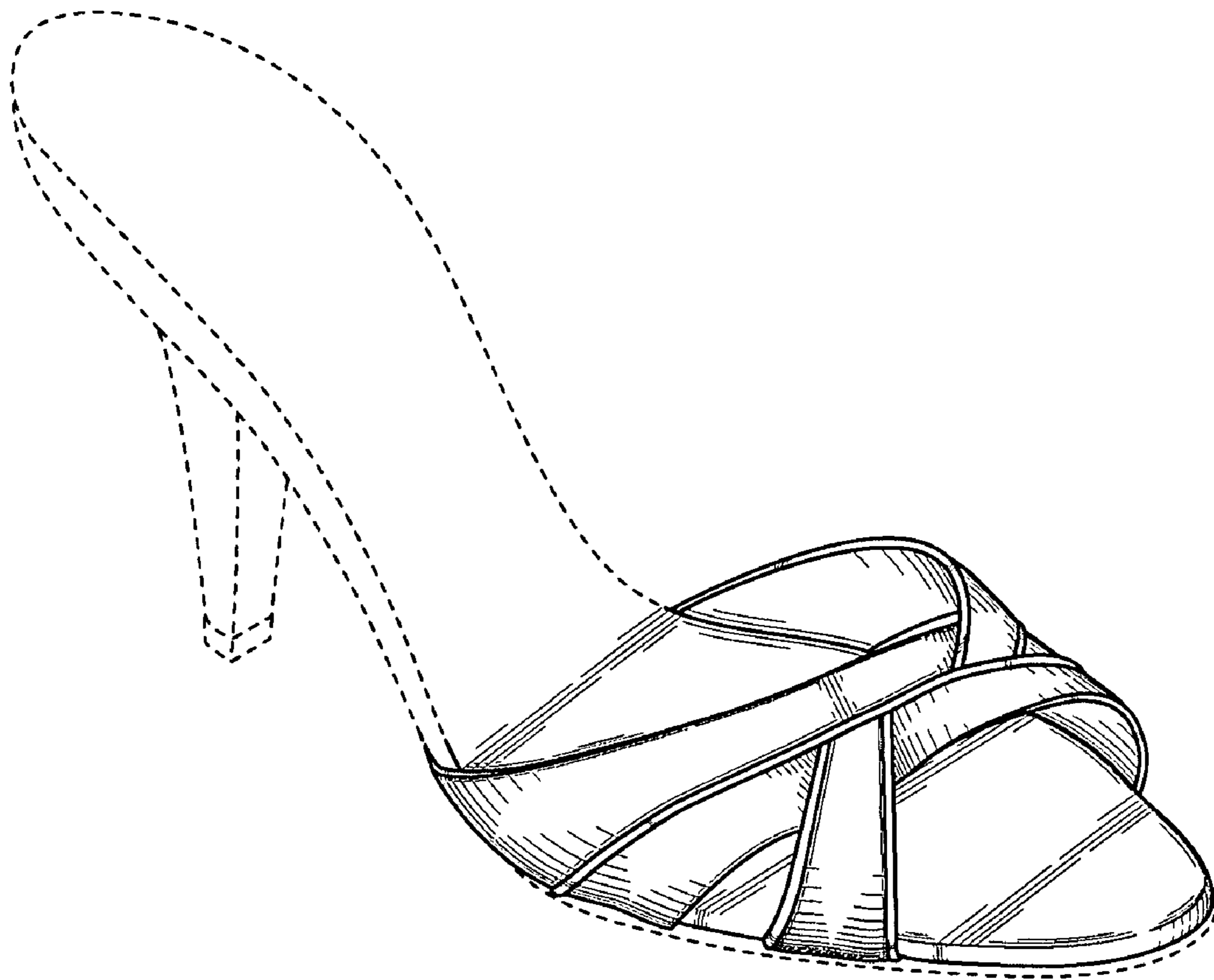


FIG. 7

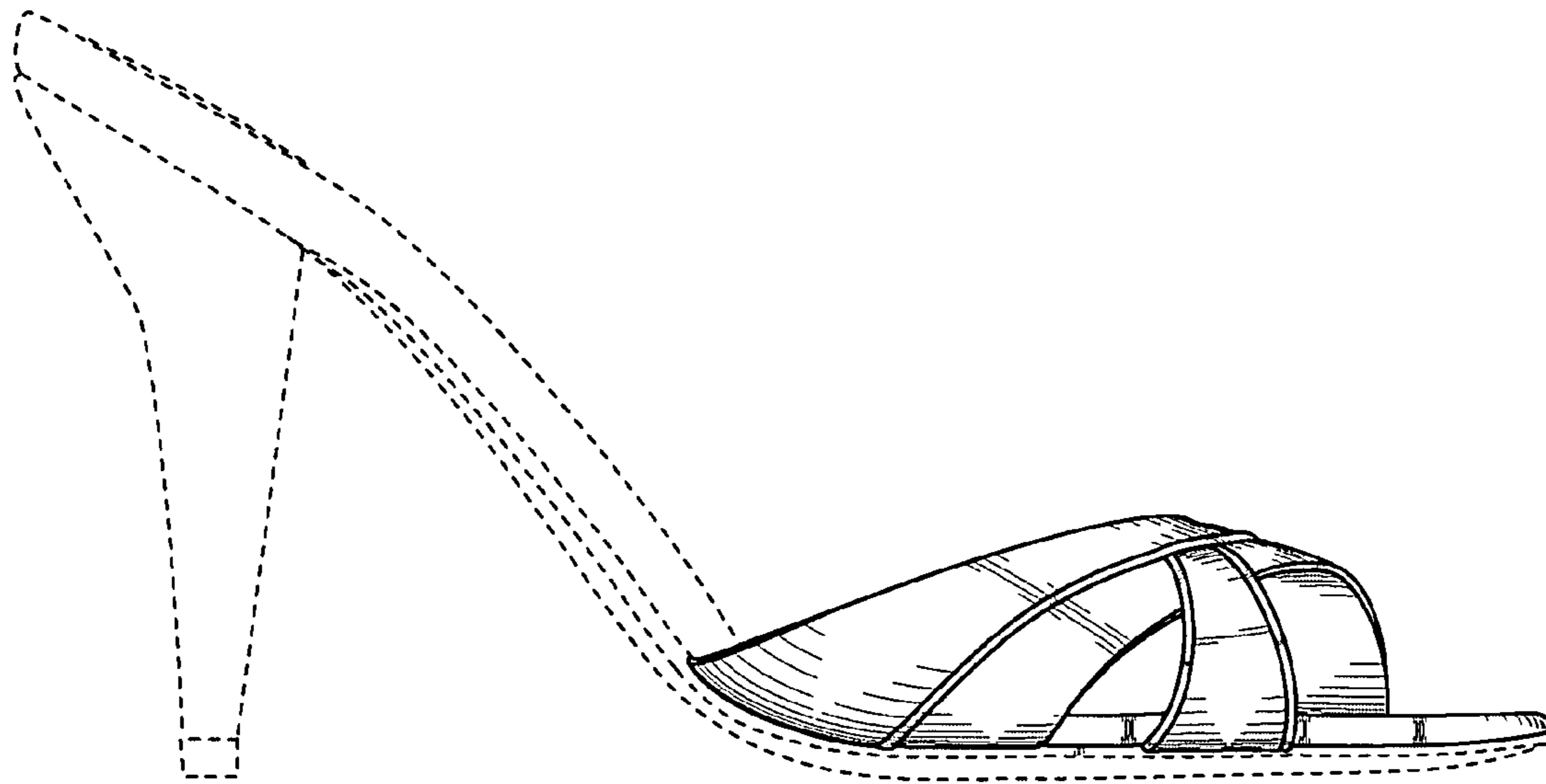


FIG. 8

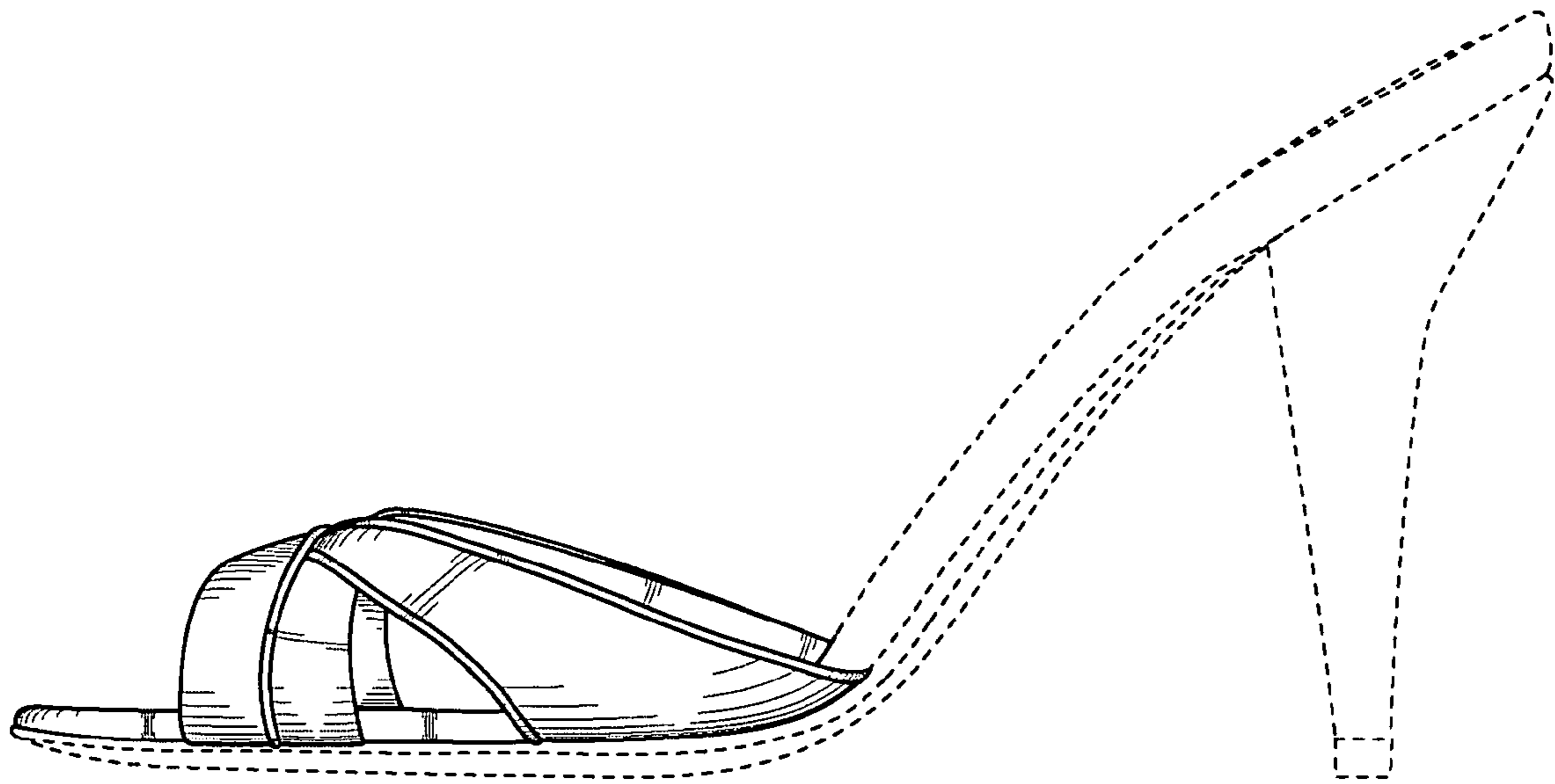


FIG. 9

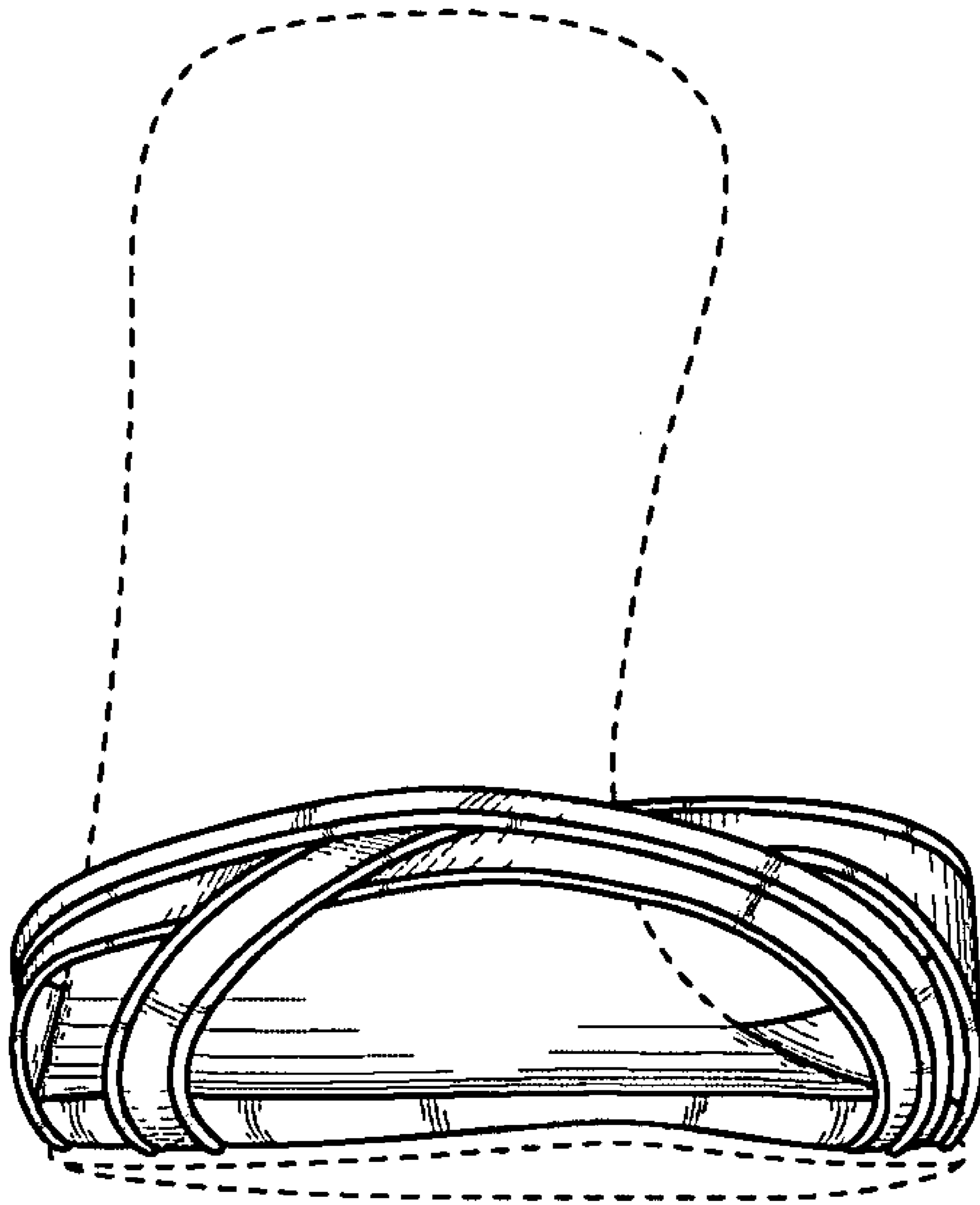


FIG. 10

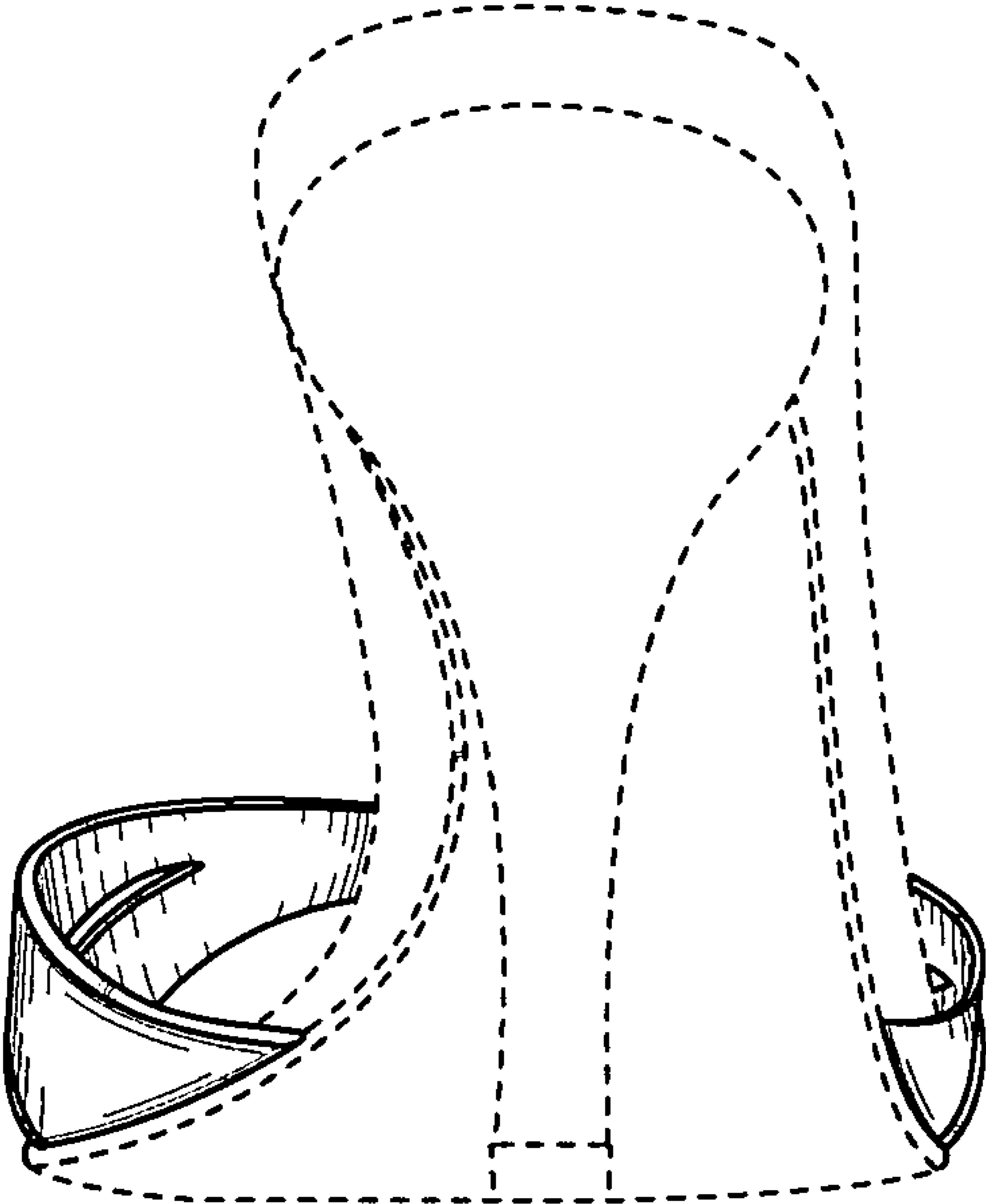


FIG. 11

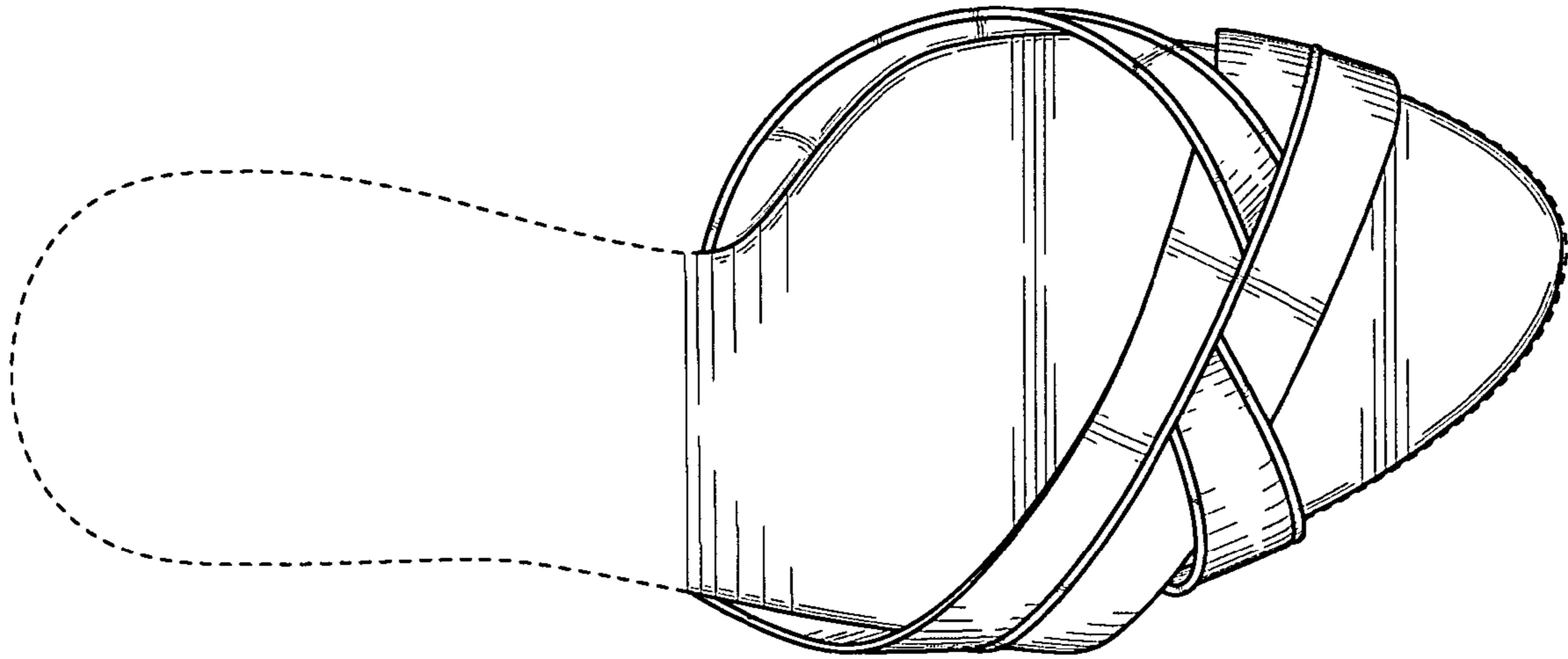


FIG. 12