

US00D567480S

(12) **United States Design Patent**
Harris et al.

(10) **Patent No.:** **US D567,480 S**
(45) **Date of Patent:** **** Apr. 29, 2008**

(54) **CONVERTIBLE CAP AND VISOR**

(76) Inventors: **Mary L. Harris**, 824 E. 3rd St.,
Monroe, MI (US) 48161; **Johnny P. Harris**, 824 E. 3rd St., Monroe, MI
(US) 48161

(**) Term: **14 Years**

(21) Appl. No.: **29/283,182**

(22) Filed: **Aug. 8, 2007**

(51) **LOC (8) Cl.** **02-03**

(52) **U.S. Cl.** **D2/882**

(58) **Field of Classification Search** D2/865,
D2/866, 867, 869, 871, 872, 873, 874, 875,
D2/876, 877, 879, 881, 882, 884, 885, 886,
D2/887, 891, 892, 893, 894, 895; 2/10, 171,
2/171.04, 171.1, 171.4, 171.6, 171.8, 174,
2/175.1, 175.3, 175.9, 200.1, 209.11, 209.12,
2/209.13, 209.5, 209.7

See application file for complete search history.

(56) **References Cited**

U.S. PATENT DOCUMENTS

1,175,167	A *	3/1916	Moscherrosch	2/195.1
1,598,313	A *	8/1926	Rosenberg	2/171.1
2,181,180	A *	11/1939	Feige	2/182.6
2,604,630	A *	7/1952	Waring	2/209.11
D311,266	S *	10/1990	Parker	D2/866
D318,338	S *	7/1991	Mitchell	D26/39
D366,751	S *	2/1996	Gravante	D2/872
5,510,961	A *	4/1996	Peng	362/106
5,548,846	A *	8/1996	Bianchetti	2/209.12
D375,612	S *	11/1996	Elder	D2/894

5,613,246	A *	3/1997	Alexander	2/10
D380,591	S *	7/1997	Kessel et al.	D2/866
5,729,833	A *	3/1998	Judge	2/195.1
5,845,338	A *	12/1998	Clark	2/195.1
D403,490	S *	1/1999	Posner	D2/866
6,260,206	B1 *	7/2001	MacDonald et al.	2/181
D451,515	S *	12/2001	Etienne	D14/449
6,463,592	B1 *	10/2002	Brooks	2/209.12
6,910,226	B2 *	6/2005	Hoyez	2/209.12
6,996,852	B1 *	2/2006	Cabrera	2/172
2006/0048271	A1 *	3/2006	Totani	2/171.1
2007/0044203	A1 *	3/2007	Hall	2/171

* cited by examiner

Primary Examiner—Elizabeth A. Albert
Assistant Examiner—Karen E Eldridge Powers

(57) **CLAIM**

We claim, the ornamental design for the convertible cap and visor, as shown and described.

DESCRIPTION

FIG. 1 is an exploded left-side elevational view of the convertible cap and visor showing our new design;

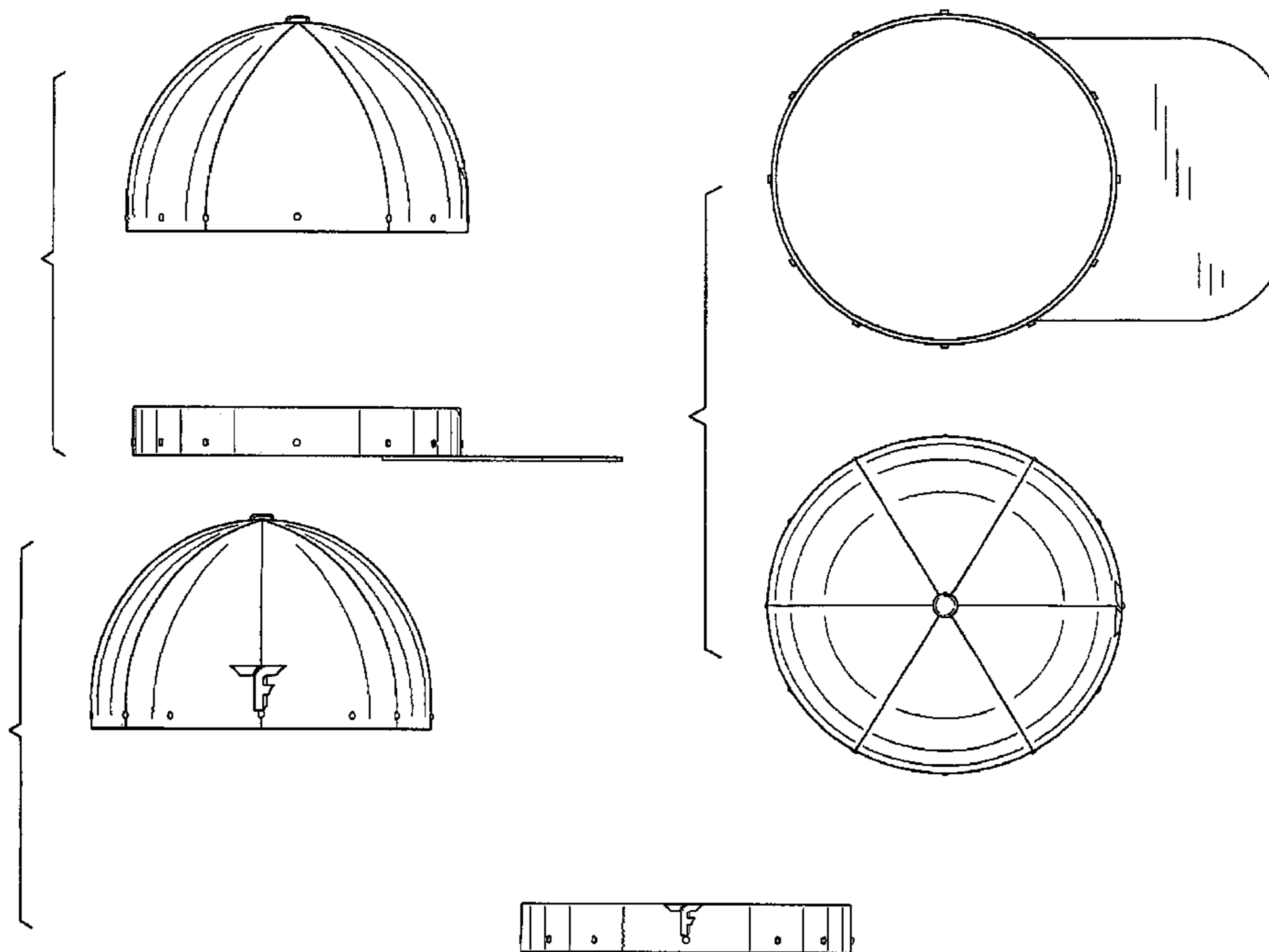
FIG. 2 is an exploded rear elevational view of the convertible cap and visor thereof;

FIG. 3 is an exploded front elevational view of the convertible cap and visor thereof;

FIG. 4 is a top plan view of the convertible cap and visor thereof; and,

FIG. 5 is a bottom plan view of the convertible cap and visor thereof.

1 Claim, 5 Drawing Sheets



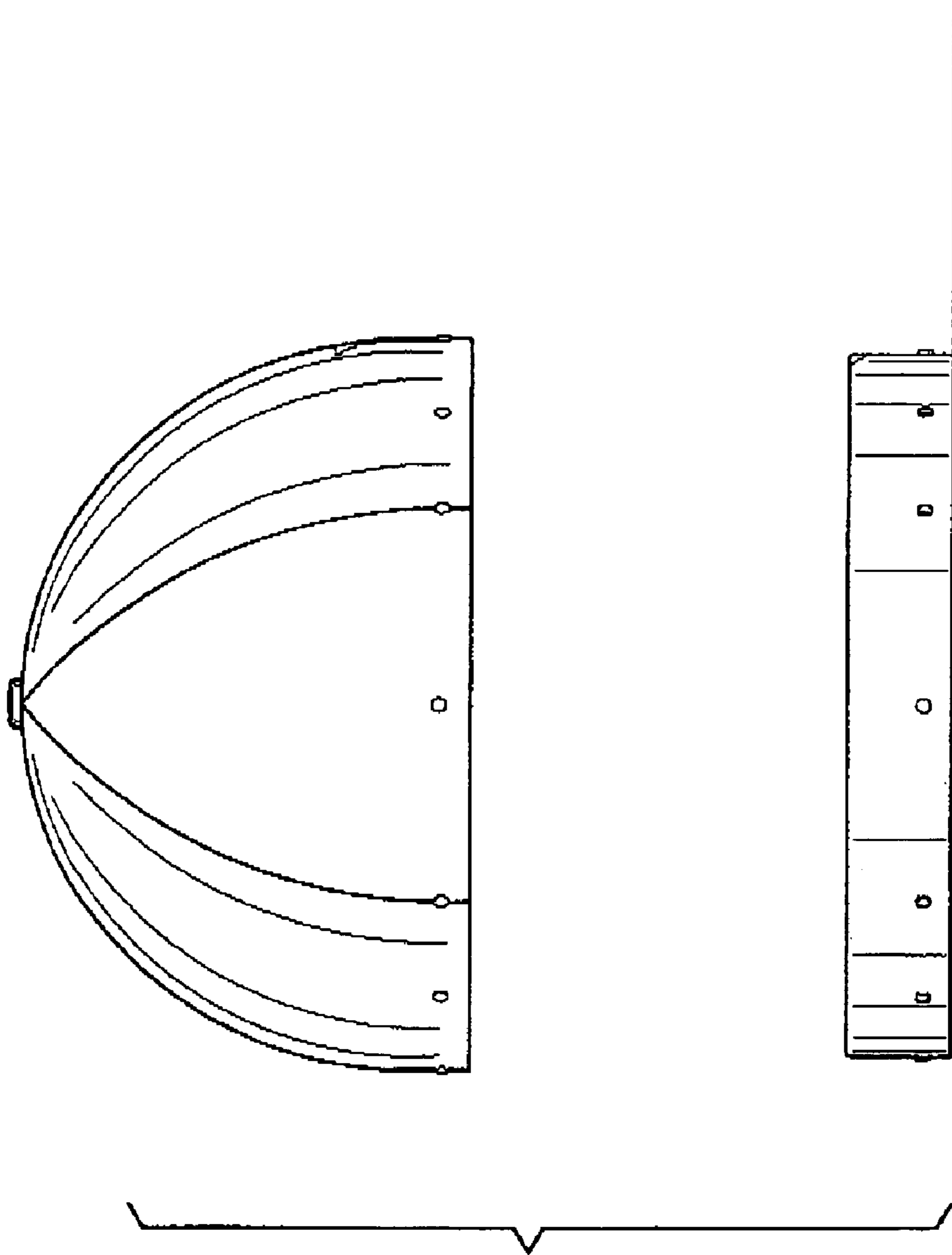


FIG. 1

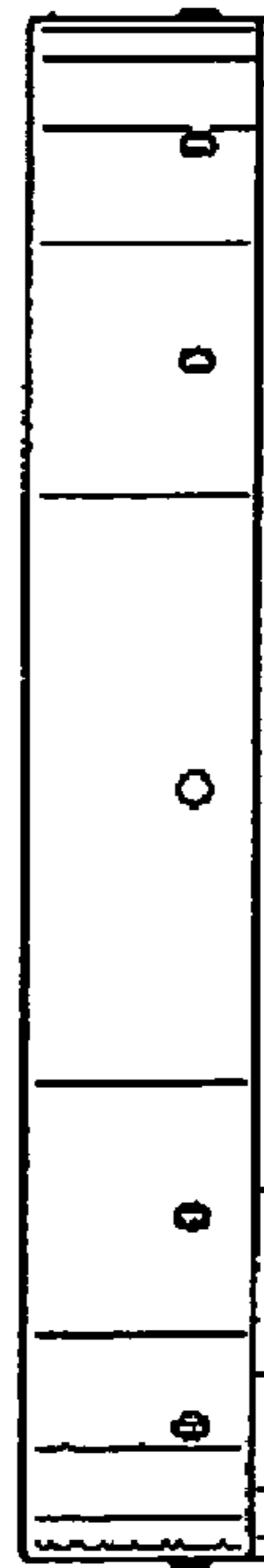
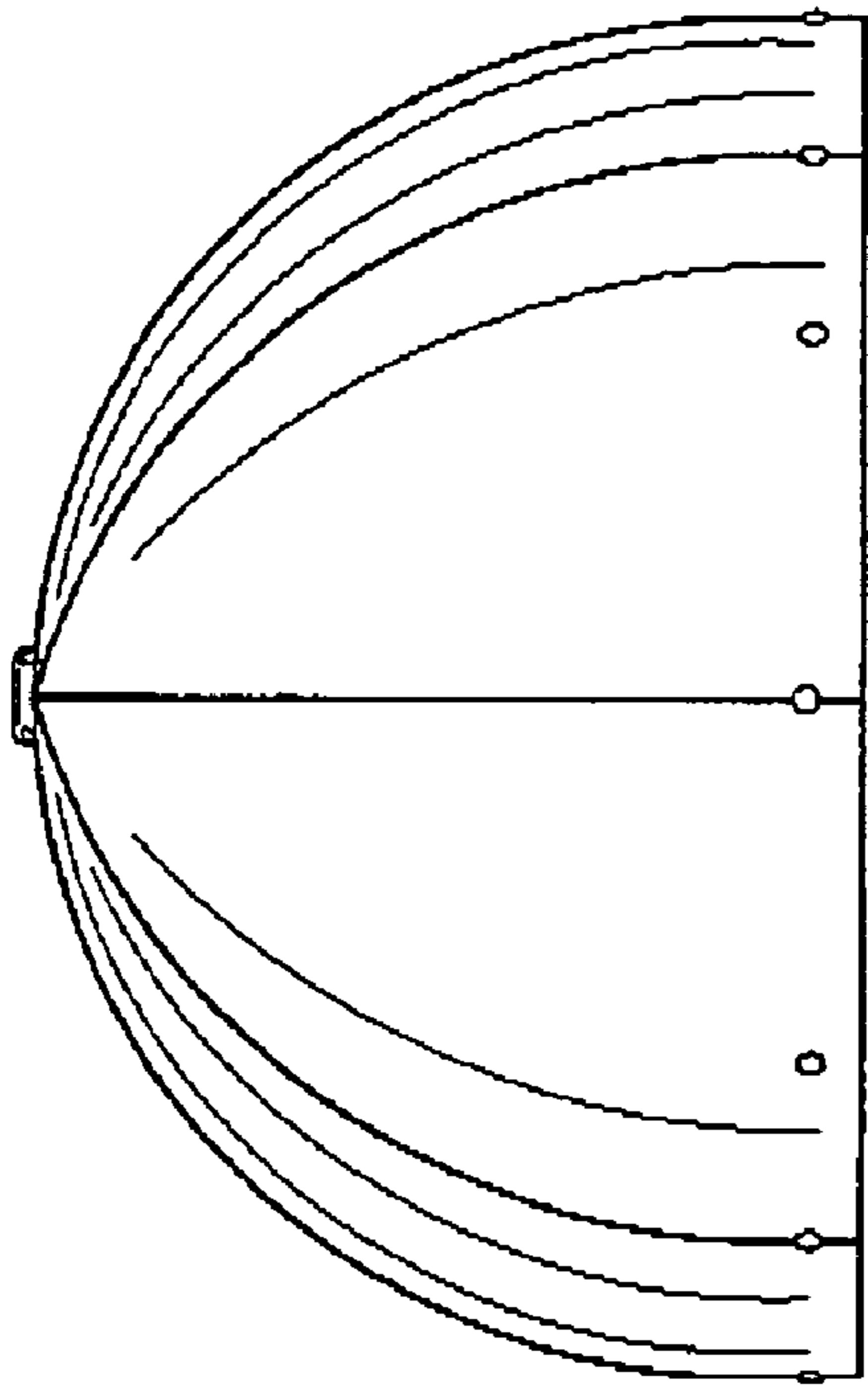


FIG. 2

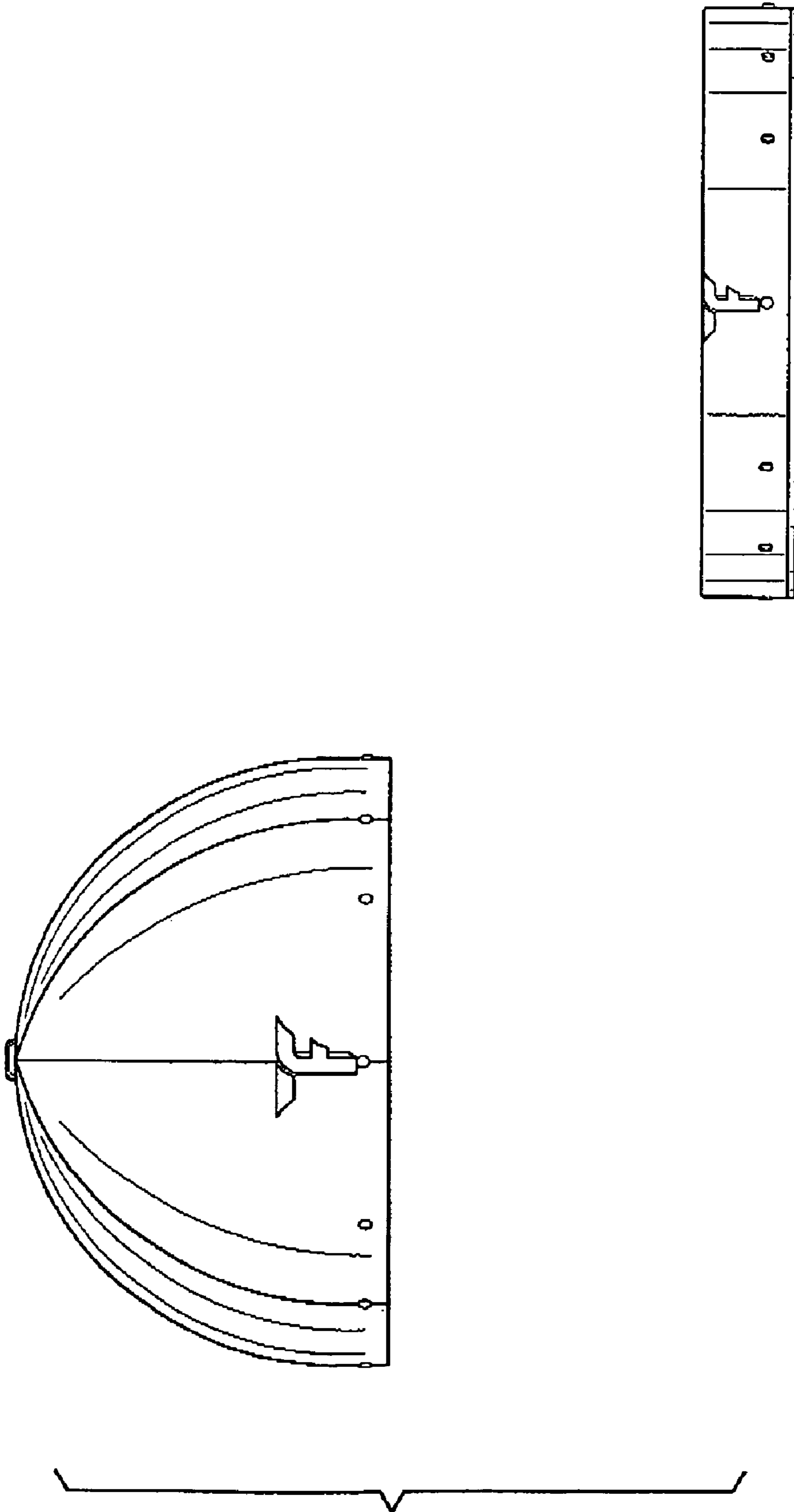


FIG. 3

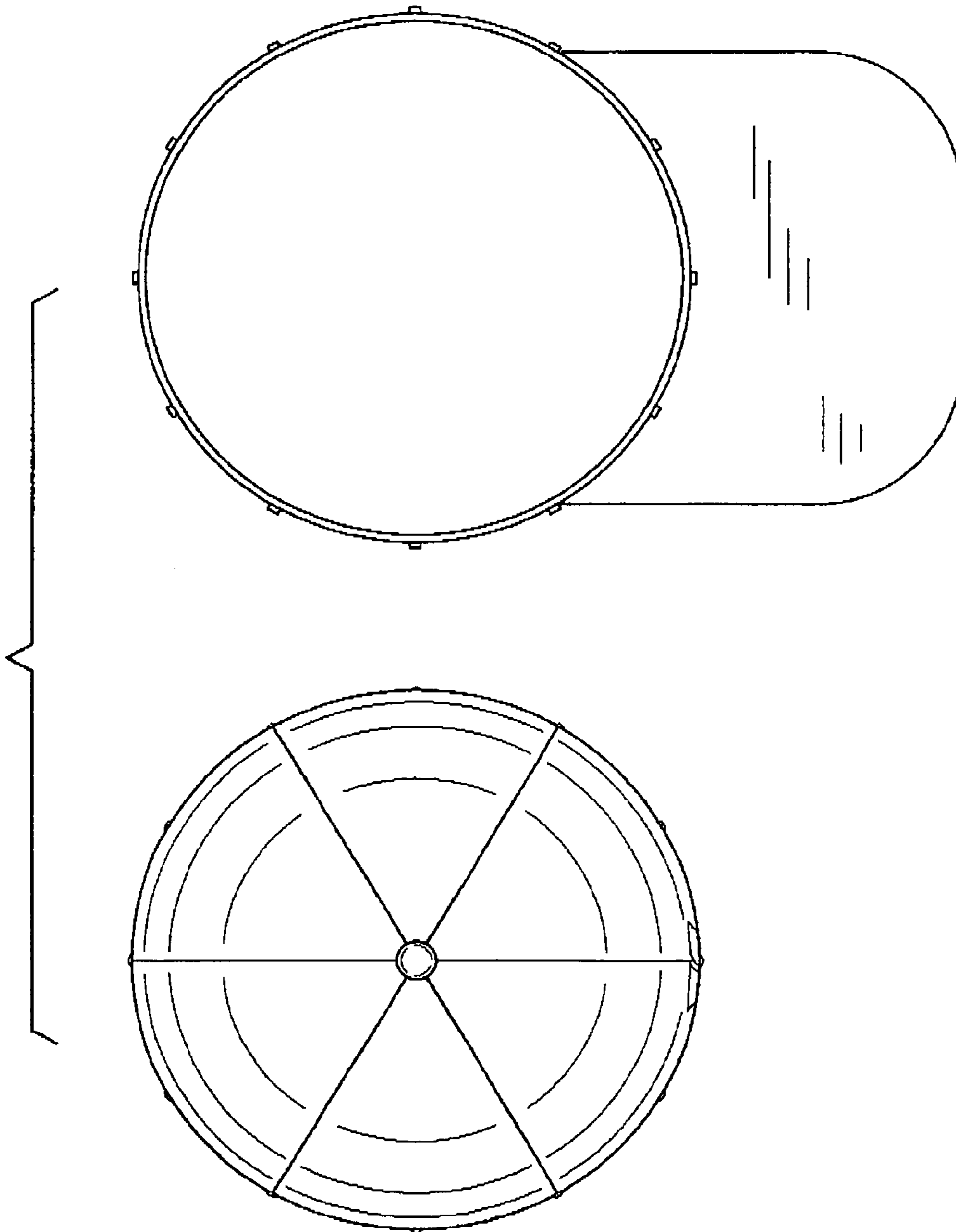


FIG. 4

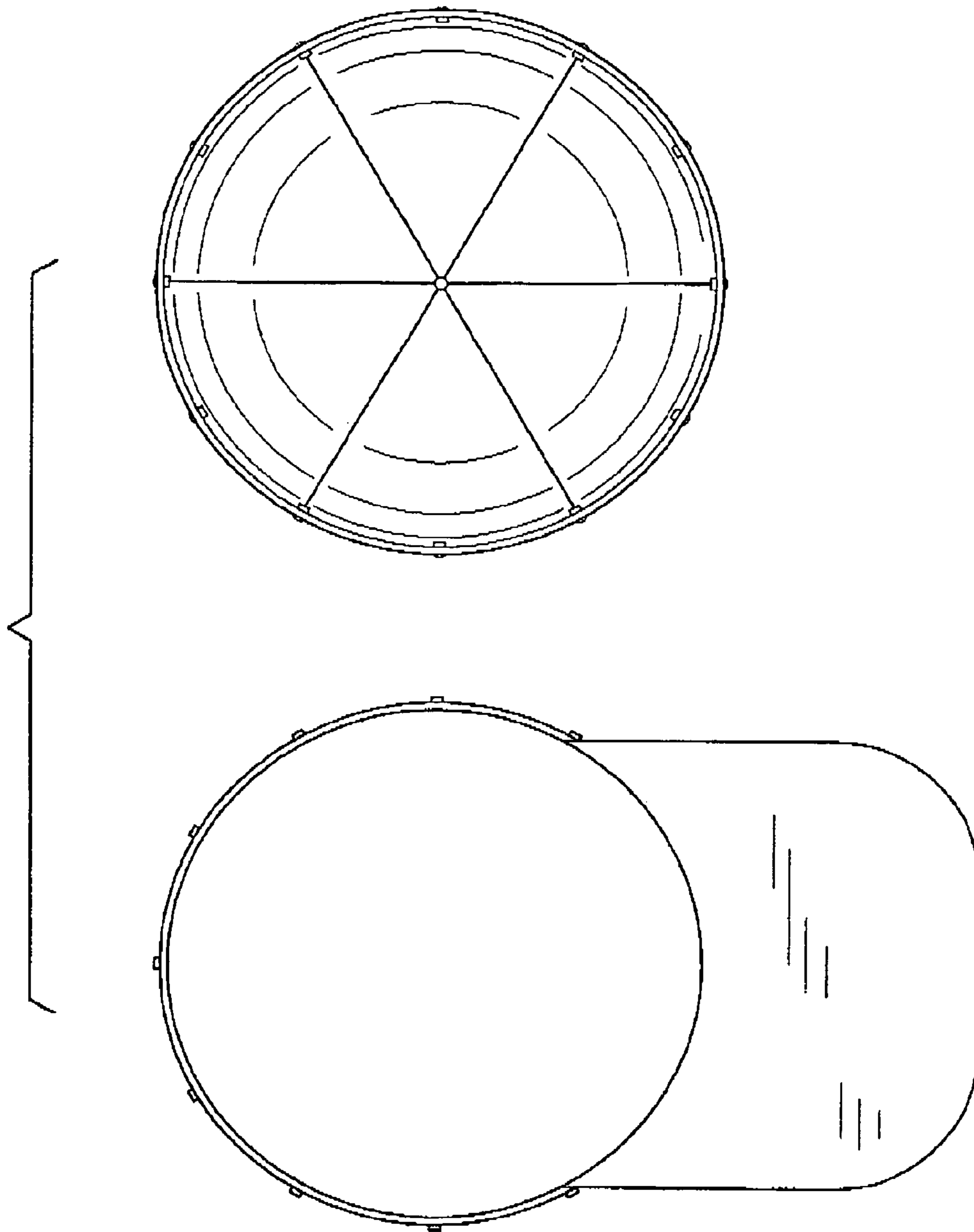


FIG. 5