



US00D567479S

(12) **United States Design Patent**
Washburn

(10) **Patent No.:** **US D567,479 S**

(45) **Date of Patent:** **** Apr. 29, 2008**

(54) **RACE CAR WINGED HAT ATTACHMENT**

(75) Inventor: **Patrick L. Washburn**, Wausau, WI
(US)

(73) Assignee: **Aero Apparel**, Wausau, WI (US)

(**) Term: **14 Years**

(21) Appl. No.: **29/278,041**

(22) Filed: **Mar. 16, 2007**

(51) **LOC (8) Cl.** **02-03**

(52) **U.S. Cl.** **D2/866**

(58) **Field of Classification Search** D2/865,
D2/866, 869, 871, 872, 873, 874, 875, 876,
D2/877, 879, 881, 882, 884, 885, 886, 891,
D2/892, 893; 2/10, 171, 171.1, 171.4, 171.6,
2/171.8, 181.4, 183, 184, 175.1, 175.2, 175.3,
2/175.9, 195.1, 195.2, 200.3, 209.11, 209.12,
2/209.13, 209.3, 209.5, 209, 410, 184.5;
D12/88, 91, 181

See application file for complete search history.

(56) **References Cited**

U.S. PATENT DOCUMENTS

1,190,427	A *	7/1916	Kromer, Jr.	2/181
1,514,799	A *	11/1924	Simonelli	2/195.5
1,895,750	A *	1/1933	Brown	180/89.1
D162,580	S *	3/1951	Rothchild	D2/869
D180,729	S *	8/1957	Ellman	D2/869
3,357,026	A *	12/1967	Wiegandt	2/195.6
D225,353	S *	12/1972	Broadley	D12/88
D238,666	S *	2/1976	Herrod	D12/181
D247,192	S *	2/1978	Gardner	D21/550
D253,605	S *	12/1979	Herd	D21/550
D260,913	S *	9/1981	Chapman	D21/550
D282,980	S *	3/1986	Hayton	D2/872
5,061,007	A *	10/1991	Simpson	296/180.5
D322,102	S *	12/1991	Araki	D21/550
5,165,751	A *	11/1992	Matsumoto et al.	296/180.5
D336,884	S *	6/1993	Scheele et al.	D12/181
D365,782	S *	1/1996	Reynard et al.	D12/88
5,484,257	A *	1/1996	Osborn	415/2.1

5,509,144	A *	4/1996	Soergel et al.	2/195.1
D386,586	S *	11/1997	Jensen	D2/866
5,863,090	A *	1/1999	Englar	296/180.1
D414,314	S *	9/1999	Tulleners	D2/869
6,000,063	A *	12/1999	Sullivan	2/209.13
D438,144	S *	2/2001	Hettler	D12/92
6,237,155	B1 *	5/2001	Seegar	2/175.1
6,338,524	B1 *	1/2002	Wu	296/180.1
6,357,051	B1 *	3/2002	Lee	2/195.1
6,363,537	B1 *	4/2002	Park	2/181

(Continued)

FOREIGN PATENT DOCUMENTS

EP 000093166-0002 * 2/2004

OTHER PUBLICATIONS

Aluminum Universal Spoiler, as shown on www.mimousa.com, dated Sep. 6, 2006 (2 pages).*

(Continued)

Primary Examiner—Elizabeth A. Albert
Assistant Examiner—Karen E Eldridge Powers
(74) *Attorney, Agent, or Firm*—Lane Patents LLC; Fred Lane

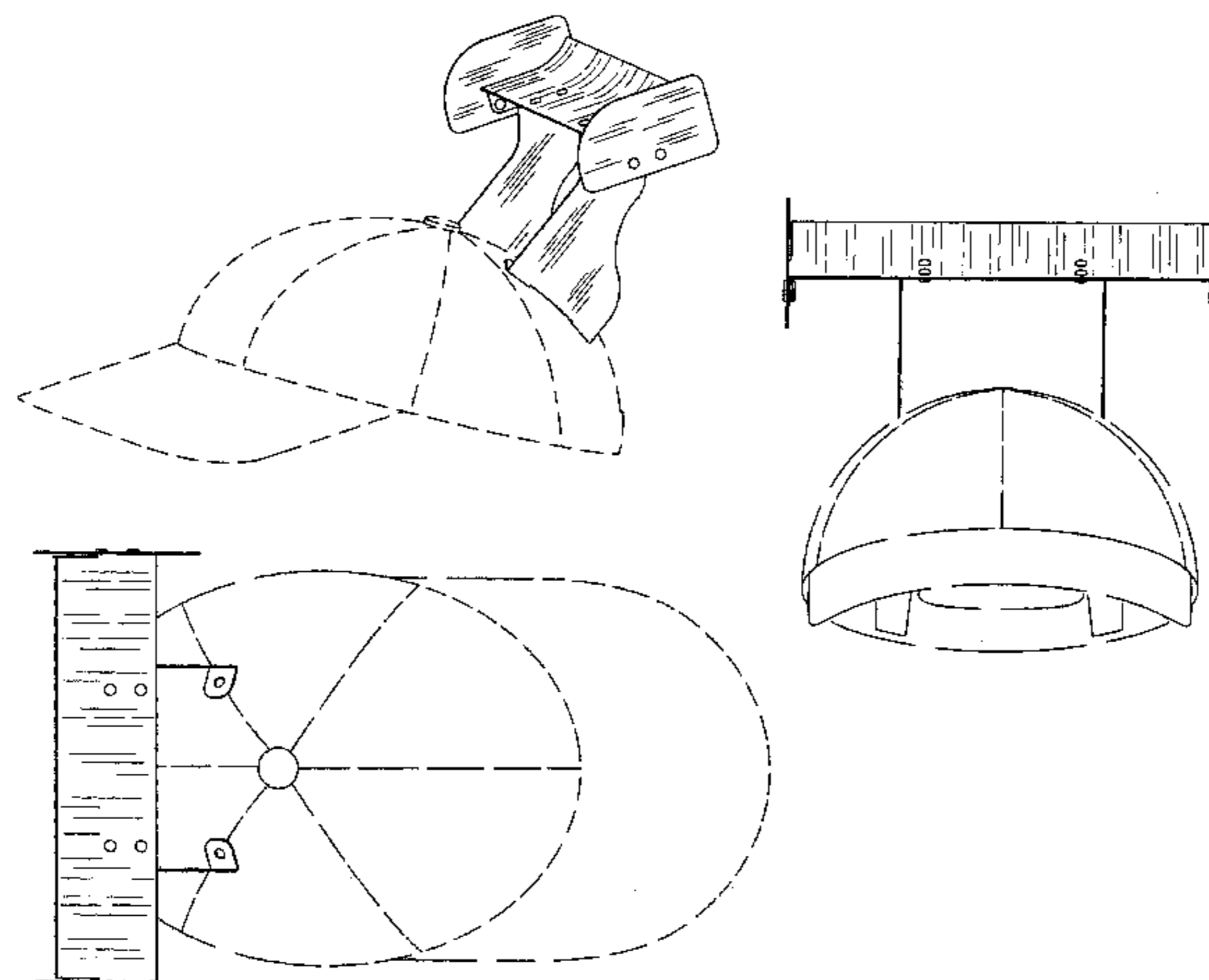
(57) **CLAIM**

The ornamental design for a race car winged hat attachment, as shown and described.

DESCRIPTION

FIG. 1 is a front perspective view of a race car winged hat attachment showing my new design;
FIG. 2 is top plan view thereof;
FIG. 3 is a side elevation view thereof; and,
FIG. 4 is a front elevation view thereof.
The broken lines showing a hat are for the purpose of illustrating environmental matter and form no part of the claimed design.

1 Claim, 4 Drawing Sheets



US D567,479 S

Page 2

U.S. PATENT DOCUMENTS

D460,577 S * 7/2002 Pogroszewski D26/97
6,457,184 B1 * 10/2002 Adams 2/209.13
D465,814 S * 11/2002 Koveleski D21/433
D471,489 S * 3/2003 Greenfield D12/88
D506,161 S * 6/2005 Stephenson D12/92
D506,415 S * 6/2005 Byrne D12/88
D509,264 S * 9/2005 Wei D21/550
D514,486 S * 2/2006 Preuninger et al. D12/181
7,052,074 B2 * 5/2006 Dringenberg et al. 296/180.5
D546,258 S * 7/2007 Kulla et al. D12/196

2006/0117462 A1* 6/2006 Wysopal 2/209.13

OTHER PUBLICATIONS

HyperBomz Type 1 Universal Adjustable Aluminum Double Deck Spoiler Wing—Silver, as shown on www.shophyperformance.com, dated Aug. 11, 2007 (1 page).*

HyperBomz racing aluminum spoiler, Type V—Silver, as shown on www.shophyperformance.com, dated Aug. 11, 2007 (1 page).*

Bomz Aluminum Double Deck Spoiler Wing—Silver, as shown on www.shophyperformance.com, dated Aug. 22, 2003 (1 page).*

* cited by examiner

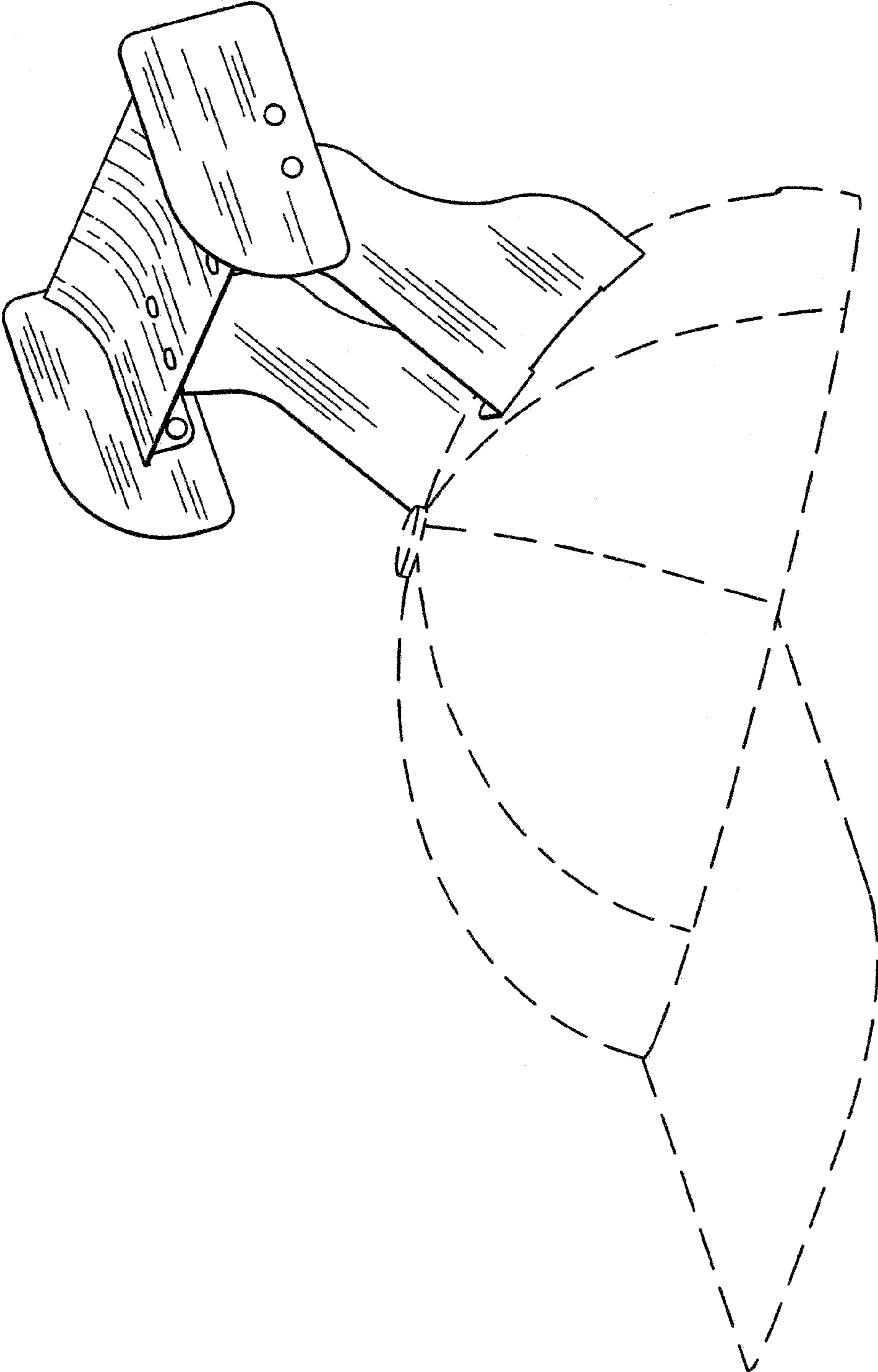


Fig. 1

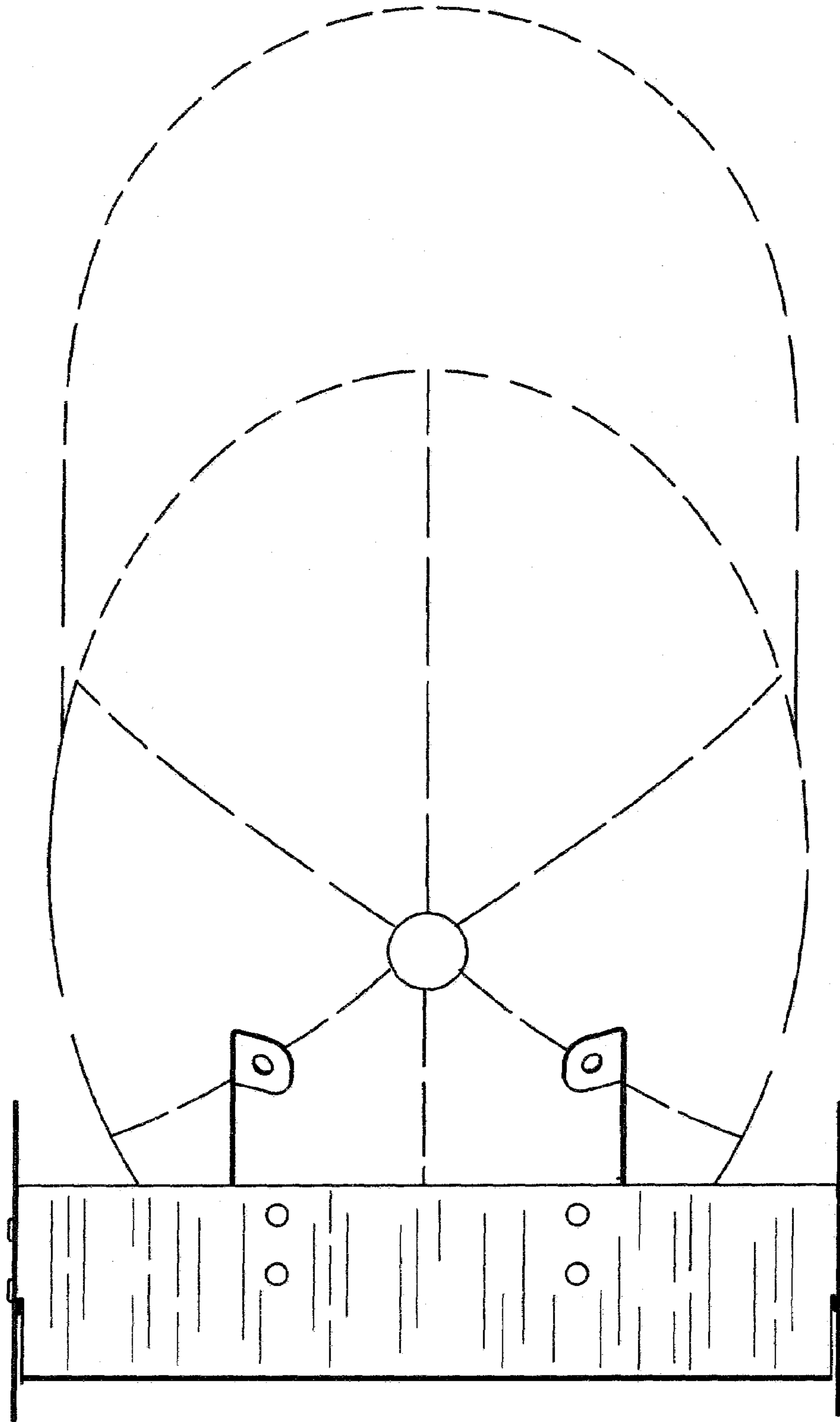


Fig. 2

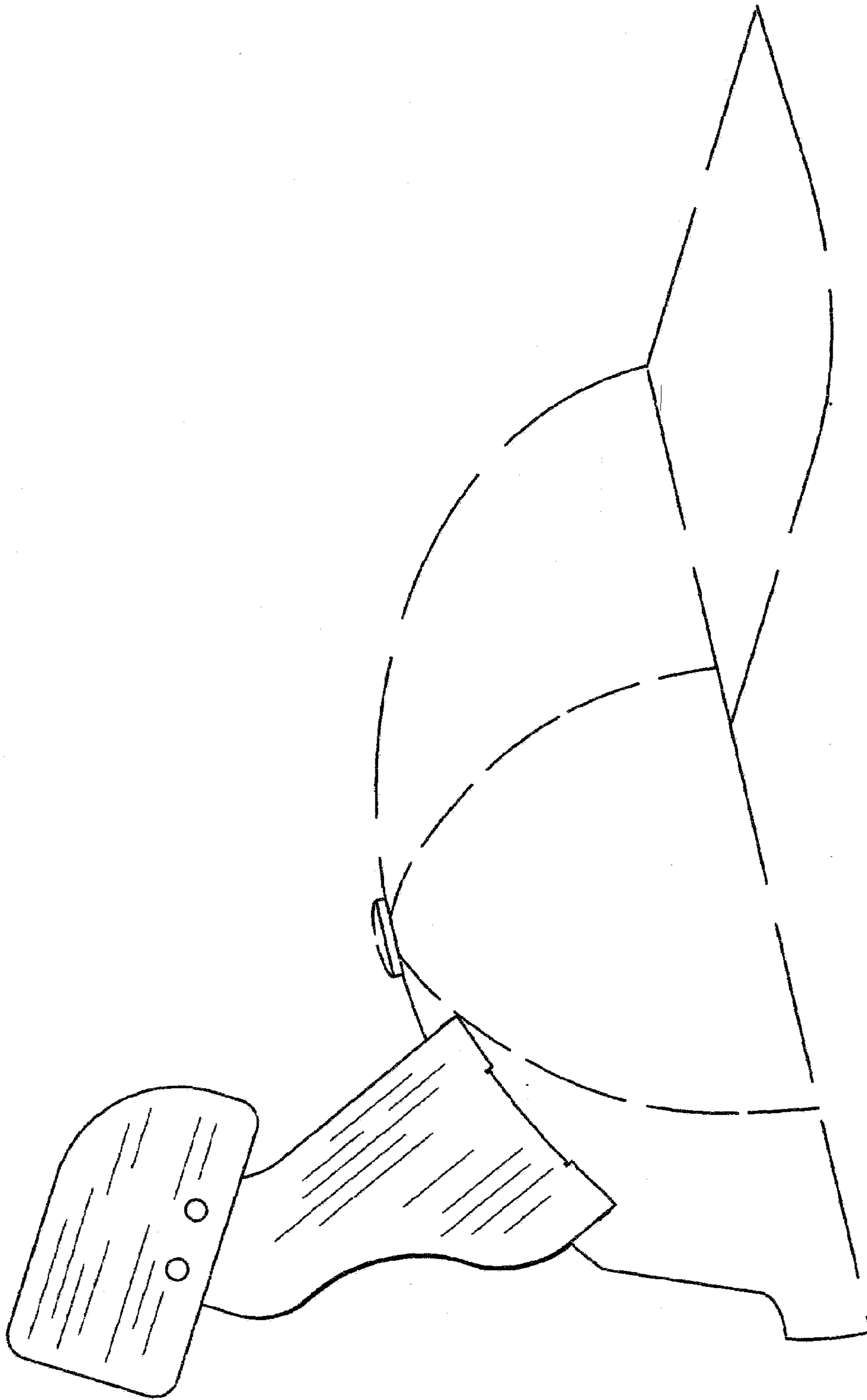


Fig. 3

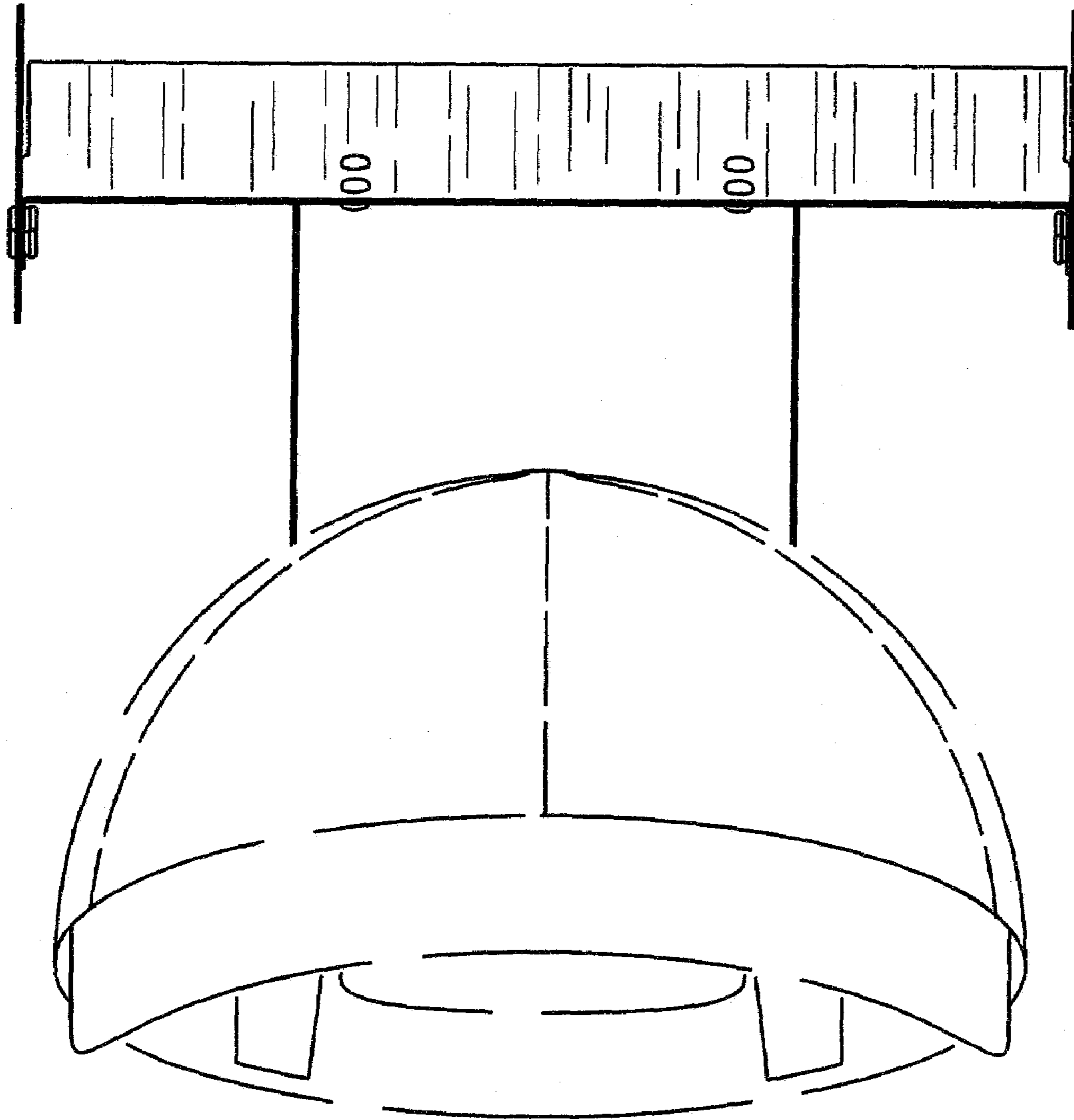


Fig. 4