

US00D567473S

(12) **United States Design Patent**  
**Hutter, III**

(10) **Patent No.:** **US D567,473 S**

(45) **Date of Patent:** **\*\* Apr. 22, 2008**

(54) **WIRE BUNDLE SUPPORT PLATFORM**

(75) Inventor: **Charles G. Hutter, III**, Carson City,  
NV (US)

(73) Assignee: **Physical Systems, Inc.**, Carson City,  
NV (US)

(\*\*) Term: **14 Years**

(21) Appl. No.: **29/256,052**

(22) Filed: **Mar. 14, 2006**

(51) **LOC (8) Cl.** ..... **09-08**

(52) **U.S. Cl.** ..... **D34/38**

(58) **Field of Classification Search** ..... D34/38;  
D9/456; 108/51.11, 51.3, 55.3, 56.1, 57.1;  
248/346.02; 211/59.4; 206/391  
See application file for complete search history.

(56) **References Cited**

U.S. PATENT DOCUMENTS

2,849,027	A *	8/1958	Tetyak	138/112
3,507,415	A *	4/1970	Mankey	414/608
4,382,733	A *	5/1983	Rodgers	410/49
D345,845	S *	4/1994	Strzegowski, Jr.	D34/38
5,307,931	A *	5/1994	Gillispie et al.	206/386
5,413,052	A *	5/1995	Breezer et al.	108/56.1
D381,180	S *	7/1997	Schueneman et al.	D34/38

5,669,315	A *	9/1997	Model	108/56.3
5,788,933	A *	8/1998	Peddicord	422/275
D432,284	S *	10/2000	Lux, Jr.	D34/38
6,823,803	B2 *	11/2004	Preisler	108/51.3
D511,404	S *	11/2005	O'Dell et al.	D34/38
D532,179	S *	11/2006	Guidroz	D34/38

\* cited by examiner

*Primary Examiner*—Cynthia E Ramirez

(74) *Attorney, Agent, or Firm*—Kelly Lowry & Kelley, LLP;  
Stuart O. Lowry

(57) **CLAIM**

The ornamental design for a wire bundle support platform,  
as shown.

**DESCRIPTION**

FIG. 1 is a perspective view showing the front, top and right  
sides of a wire bundle support platform embodying the new  
design;

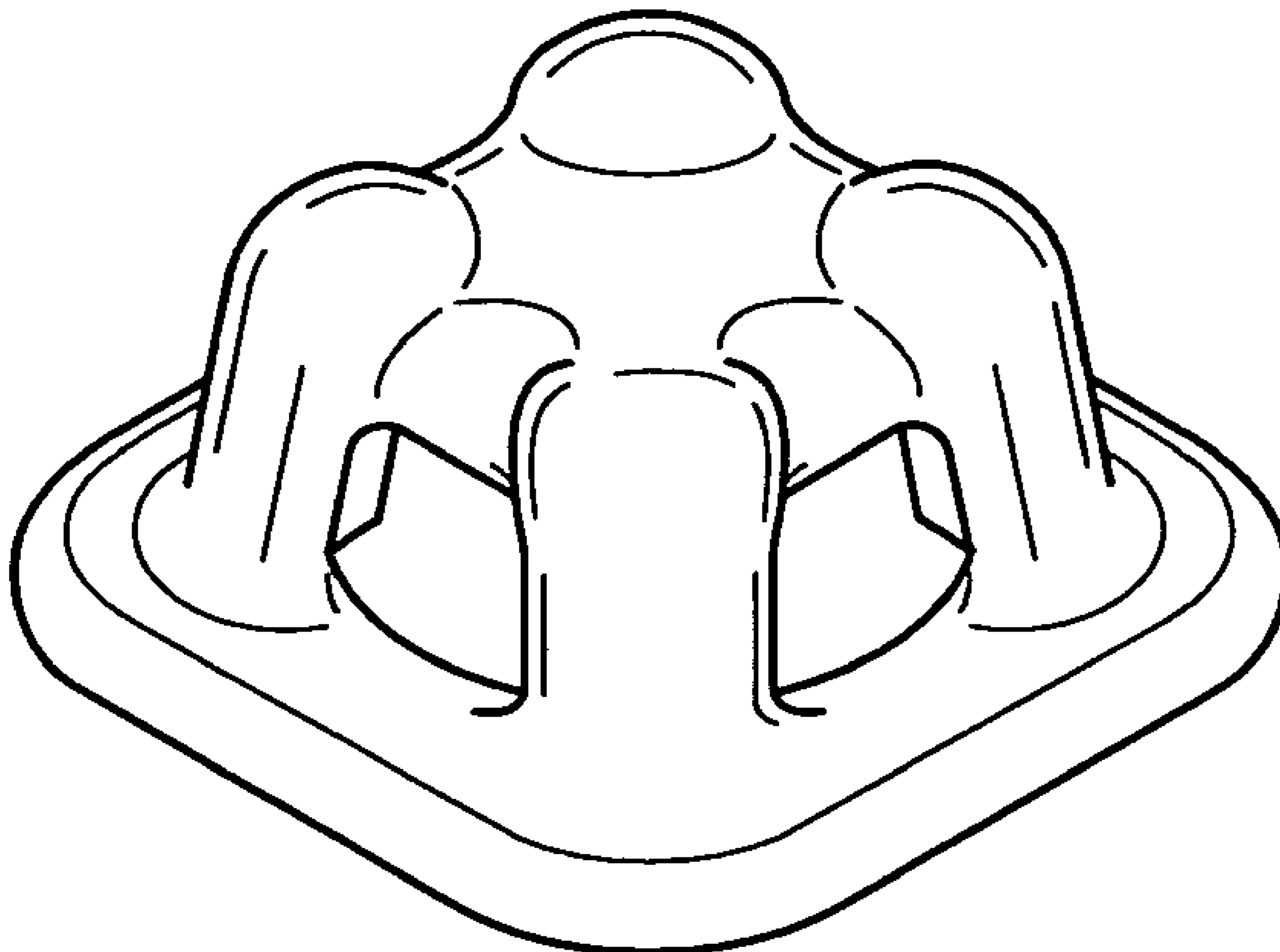
FIG. 2 is a front elevation view thereof, the right, left, and  
rear sides being identical to the front side as shown;

FIG. 3 is a top plan view thereof;

FIG. 4 is a bottom plan view thereof; and,

FIG. 5 is a perspective view showing the bottom, front and  
right side view thereof.

**1 Claim, 1 Drawing Sheet**



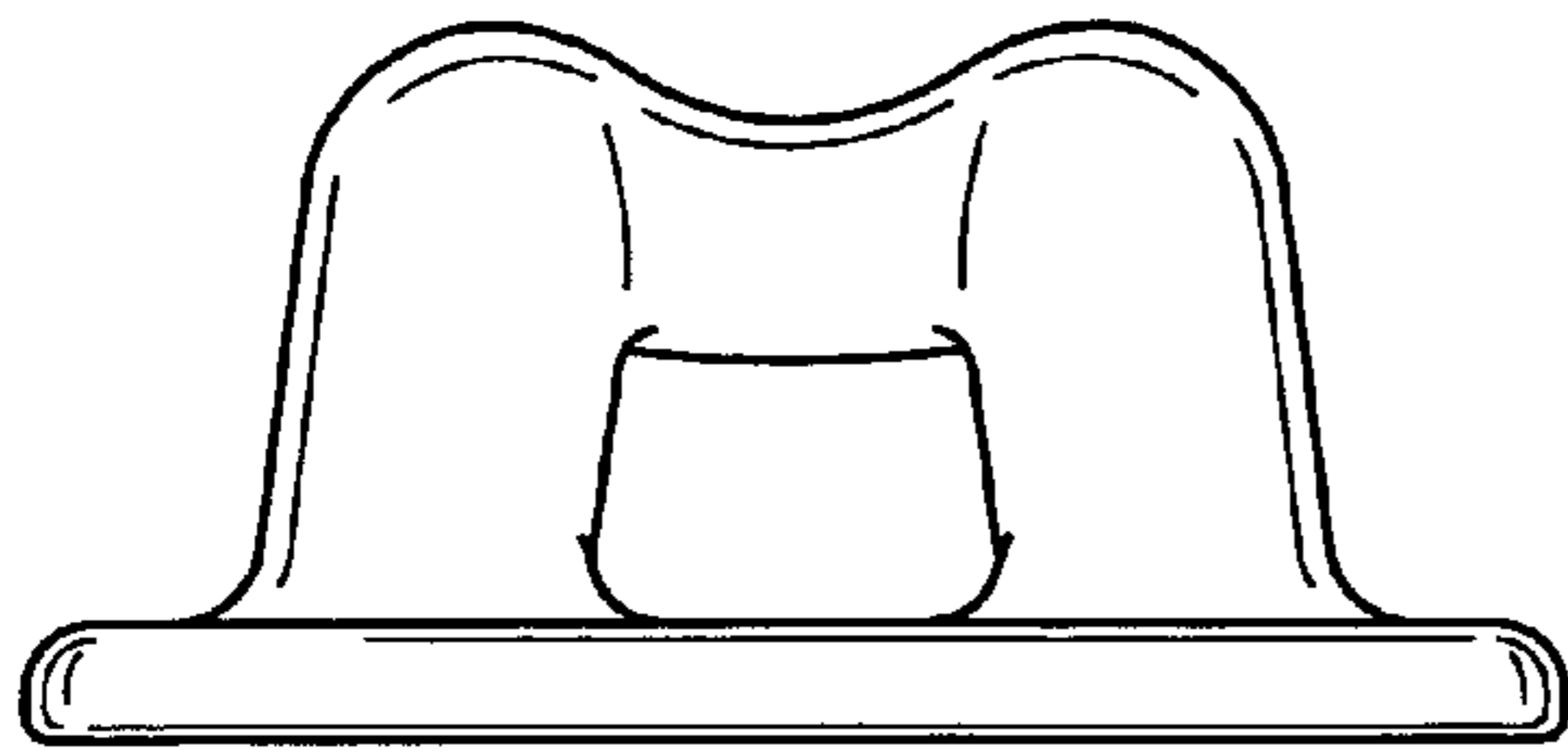


FIG. 2

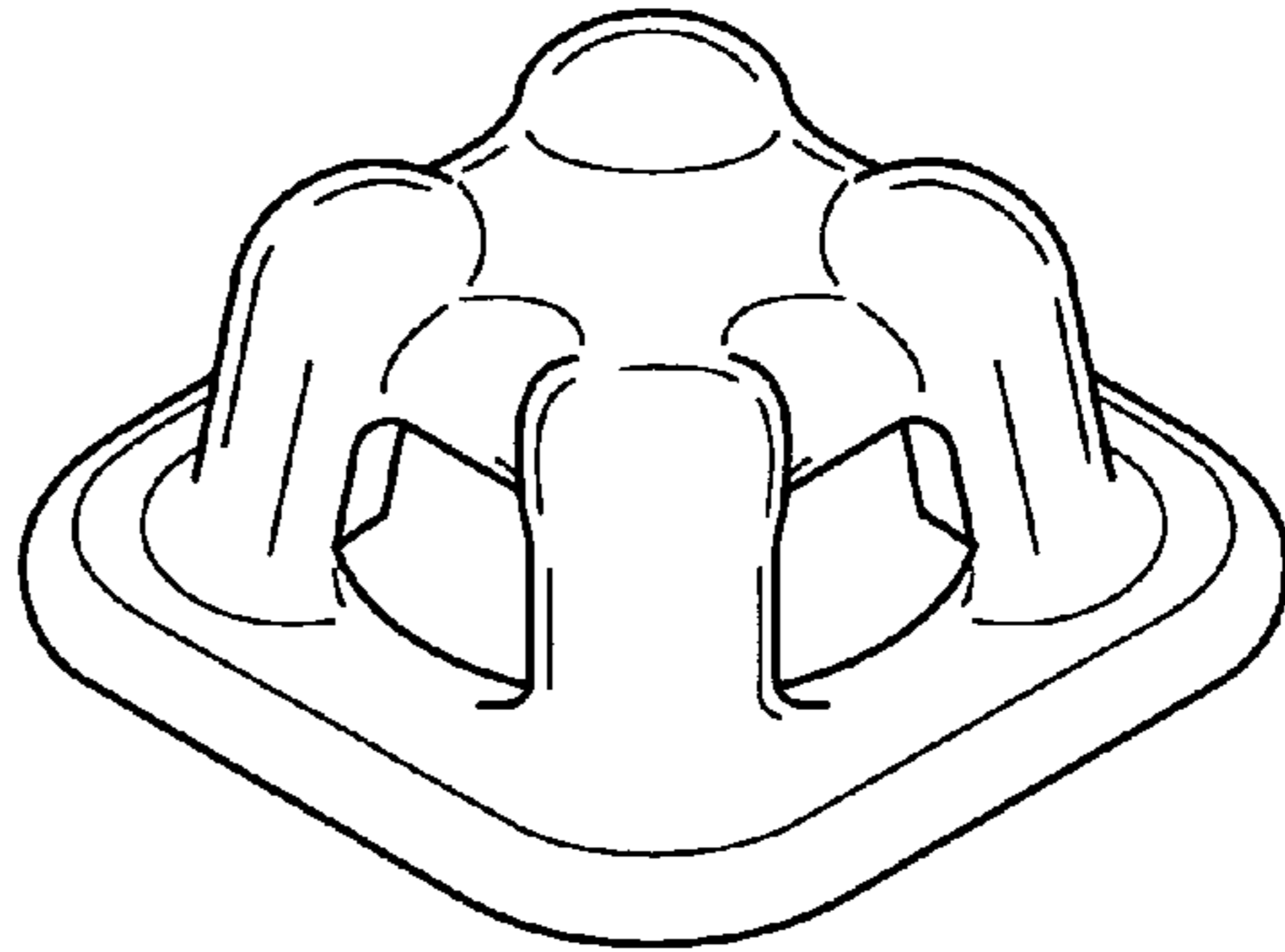


FIG. 1

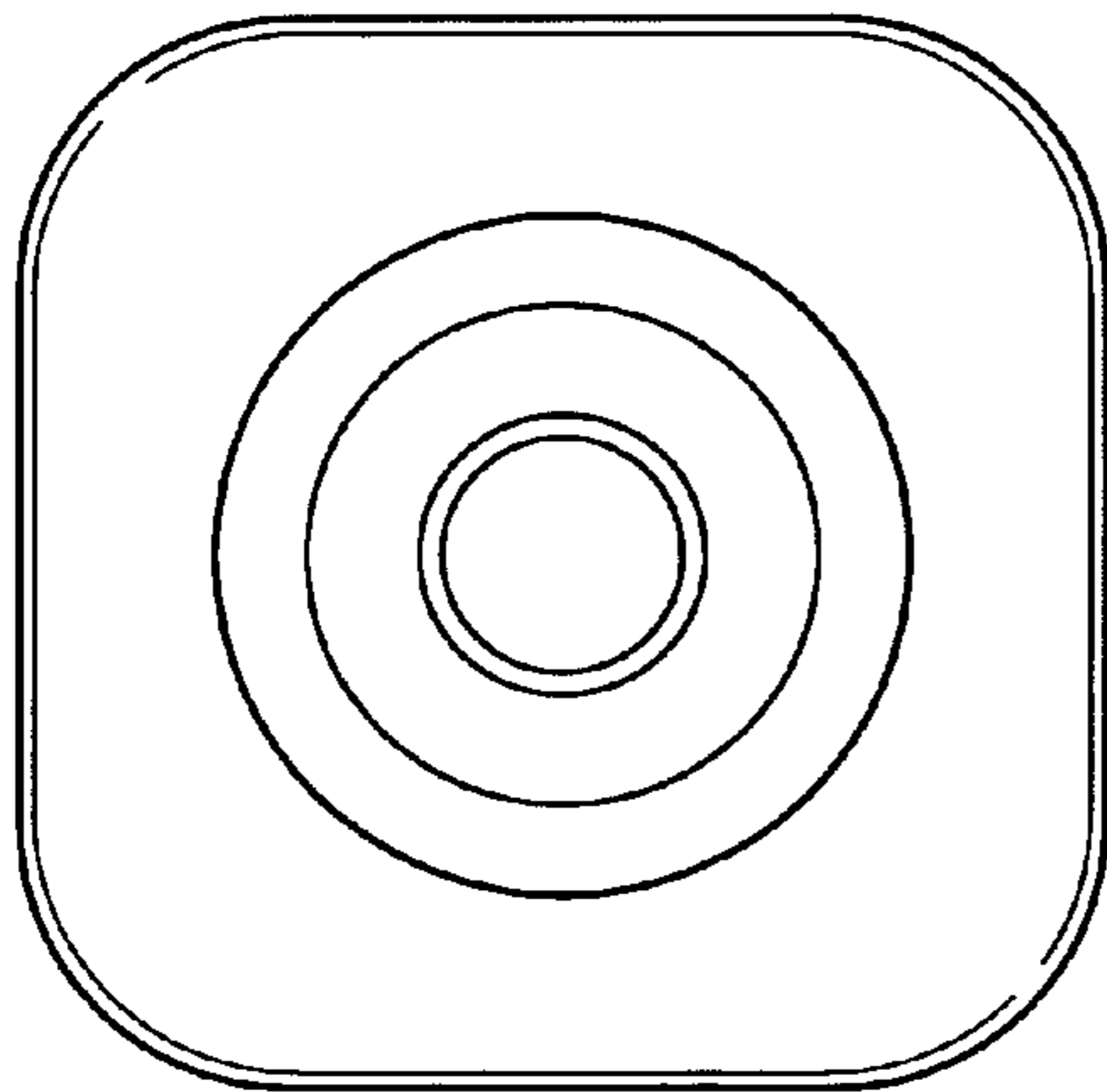


FIG. 4

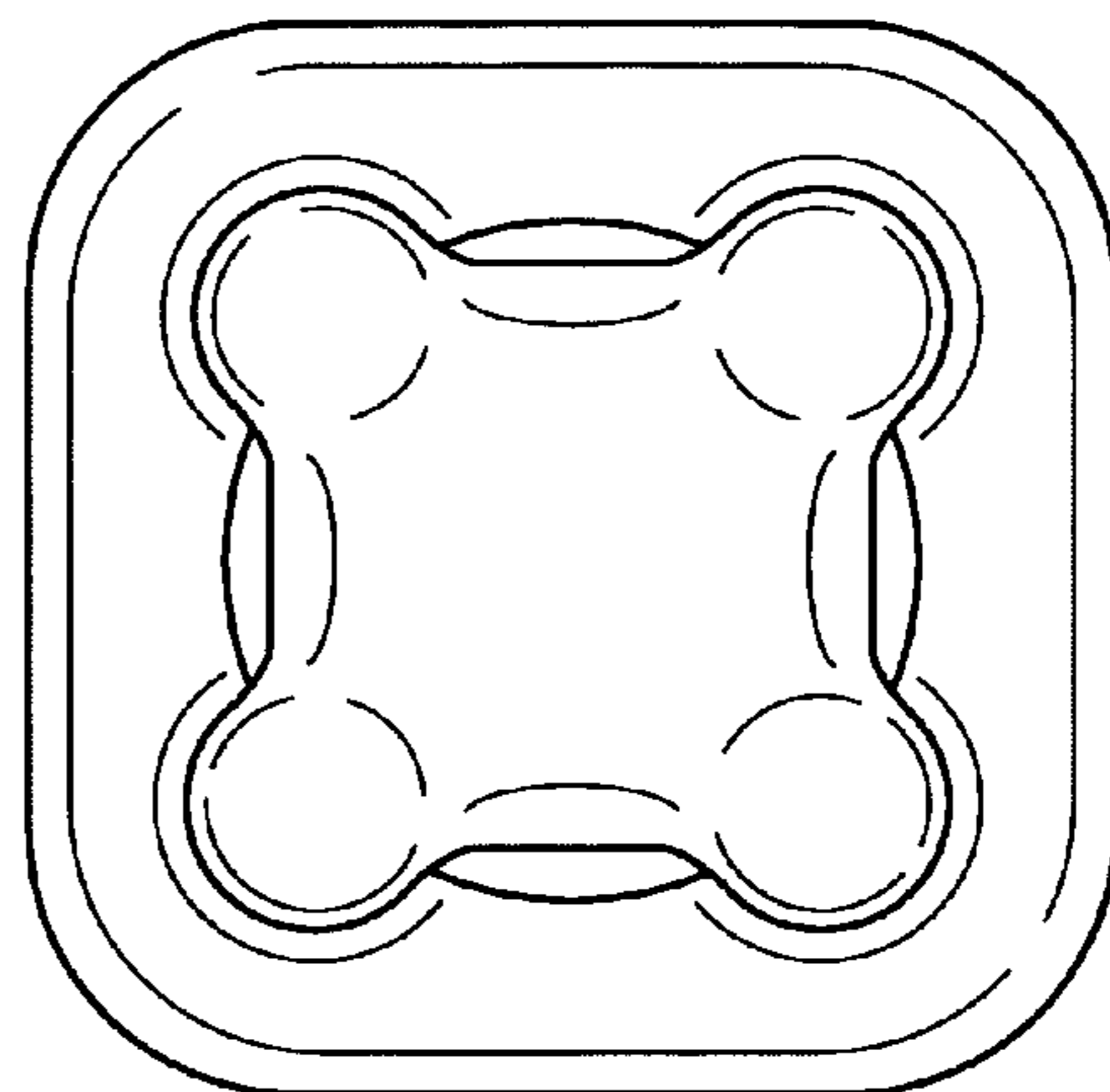


FIG. 3

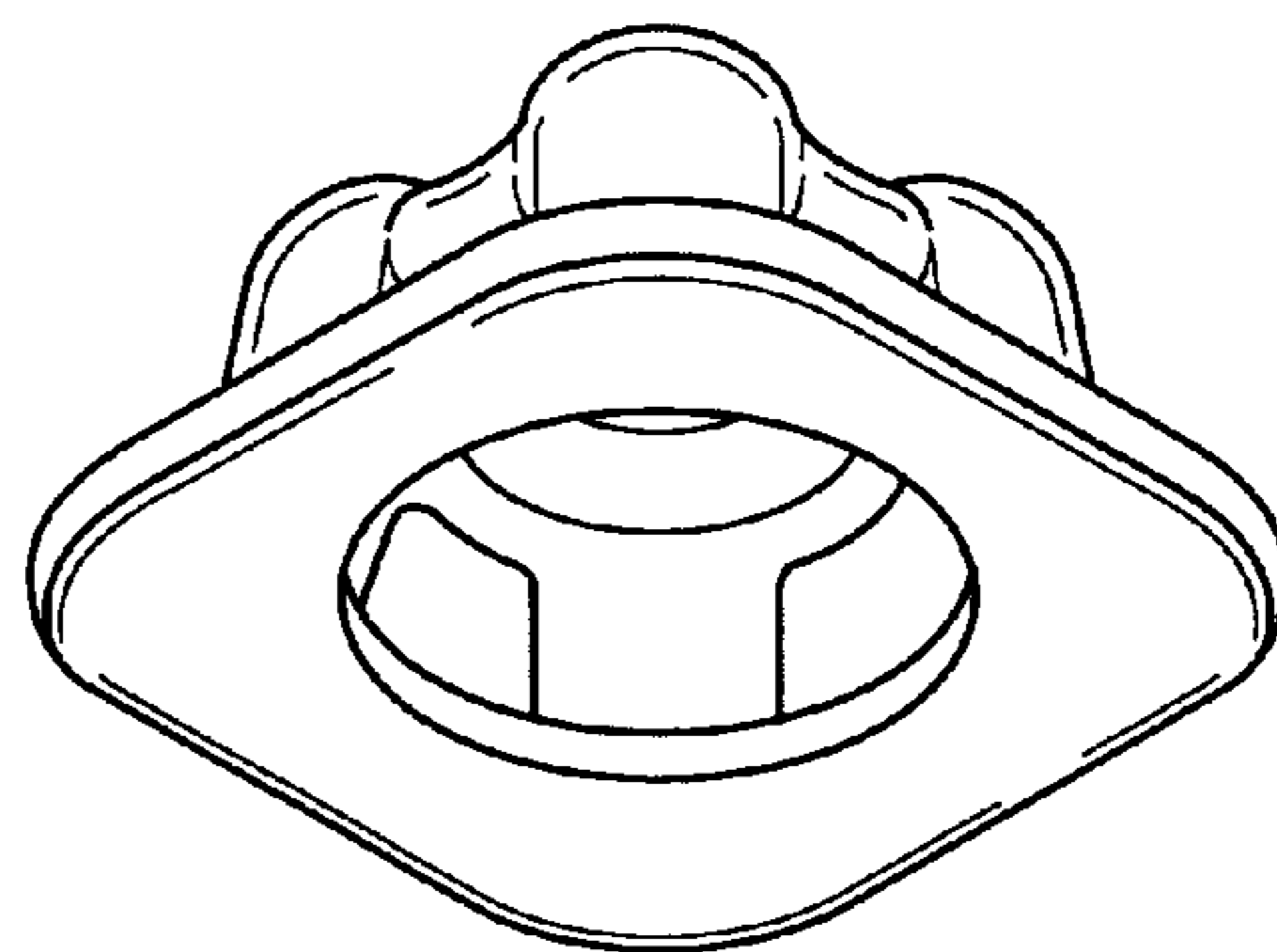


FIG. 5