

US00D567472S

(12) **United States Design Patent** (10) **Patent No.:** **US D567,472 S**  
**Shani et al.** (45) **Date of Patent:** **\*\* Apr. 22, 2008**

(54) **CEILING LIFT**

(75) Inventors: **Mikel Shani**, Mississauga (CA); **Mark P. Chepurny**, Bradford (CA)

(73) Assignee: **Waverly Glen Systems Ltd**, Ontario (CA)

(\*\*) Term: **14 Years**

(21) Appl. No.: **29/292,521**

(22) Filed: **Oct. 15, 2007**

**Related U.S. Application Data**

(62) Division of application No. 29/257,185, filed on Mar. 30, 2006, now Pat. No. Des. 553,825.

(51) **LOC (8) Cl.** ..... **12-05**

(52) **U.S. Cl.** ..... **D34/33**

(58) **Field of Classification Search** ..... D34/28, D34/33, 35; D25/62; 182/142, 149; 5/83.1, 5/85.1; 212/328

See application file for complete search history.

(56) **References Cited**

**U.S. PATENT DOCUMENTS**

3,491,851	A	1/1970	Dutcher
D219,298	S	11/1970	Eyck
3,791,627	A	2/1974	Stone et al.
3,871,480	A	3/1975	Sauri
4,900,203	A	2/1990	Pope
5,809,591	A	9/1998	Capaldi et al.
D408,608	S	4/1999	Brown
6,085,368	A	7/2000	Robert et al.

D438,684	S	3/2001	Hernandez
6,523,195	B1	2/2003	Rodier et al.
D524,508	S	7/2006	Lichtenvort
D553,825	S *	10/2007	Shani et al. .... D34/33
2005/0115914	A1	6/2005	Chepurny et al.

**FOREIGN PATENT DOCUMENTS**

WO WO 2005/032446 A1 4/2005

\* cited by examiner

*Primary Examiner*—Cynthia E Ramirez

(74) *Attorney, Agent, or Firm*—Calfee, Halter & Griswold LLP

(57) **CLAIM**

The ornamental design for a ceiling lift, as shown and described.

**DESCRIPTION**

FIG. 1 is a front view of the ceiling lift showing the new design;

FIG. 2 is a right side view of the ceiling lift of FIG. 1;

FIG. 3 is a rear view of the ceiling lift of FIG. 1;

FIG. 4 is a left side view of the ceiling lift of FIG. 1;

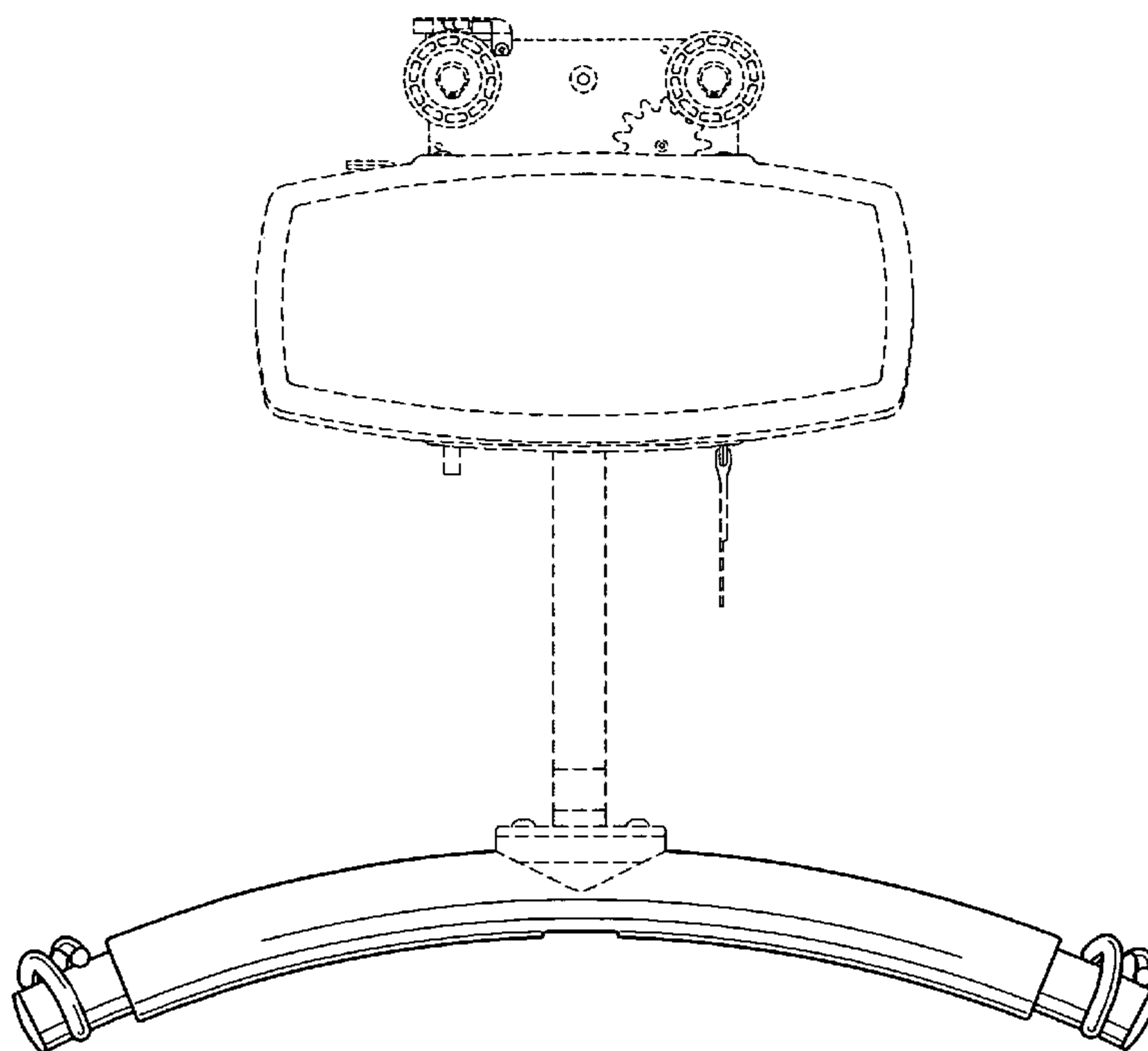
FIG. 5 is a view taken along lines 5—5 in FIG. 4;

FIG. 6 is a bottom view of the ceiling left of FIG. 1; and,

FIG. 7 is a perspective view of the ceiling lift of FIG. 1.

The portions of the Figures shown in broken lines are not part of the claimed design but are for illustration only.

**1 Claim, 4 Drawing Sheets**



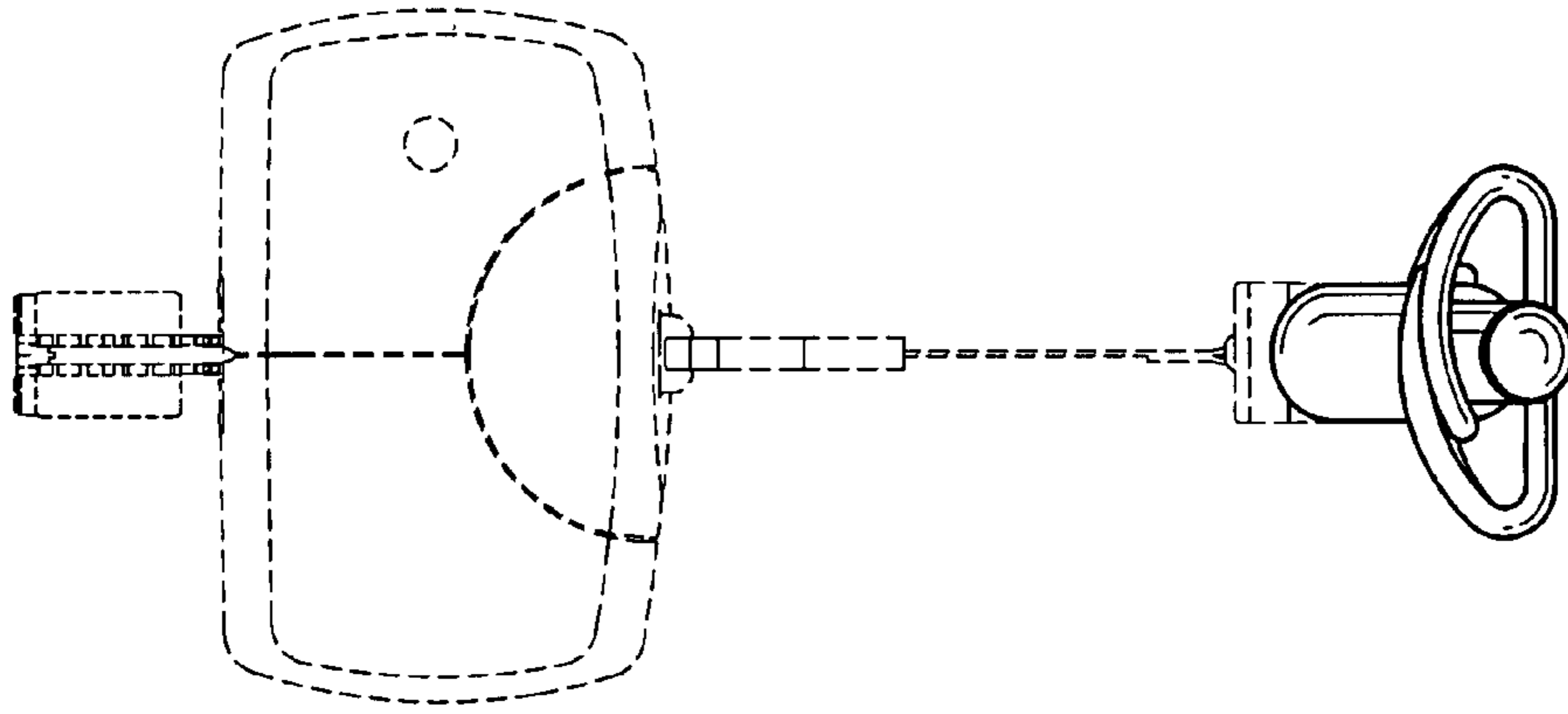


FIG. 2

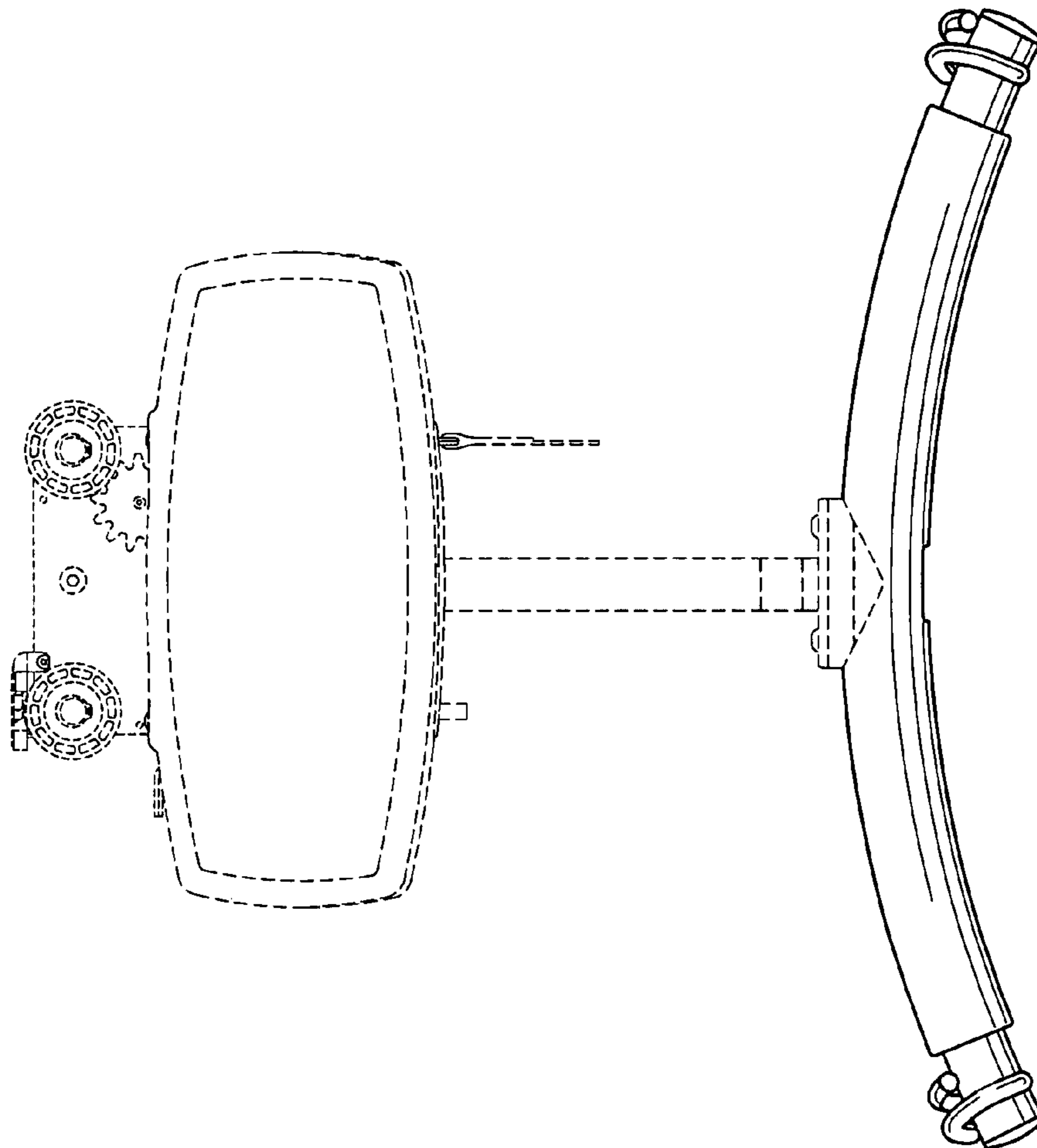


FIG. 1

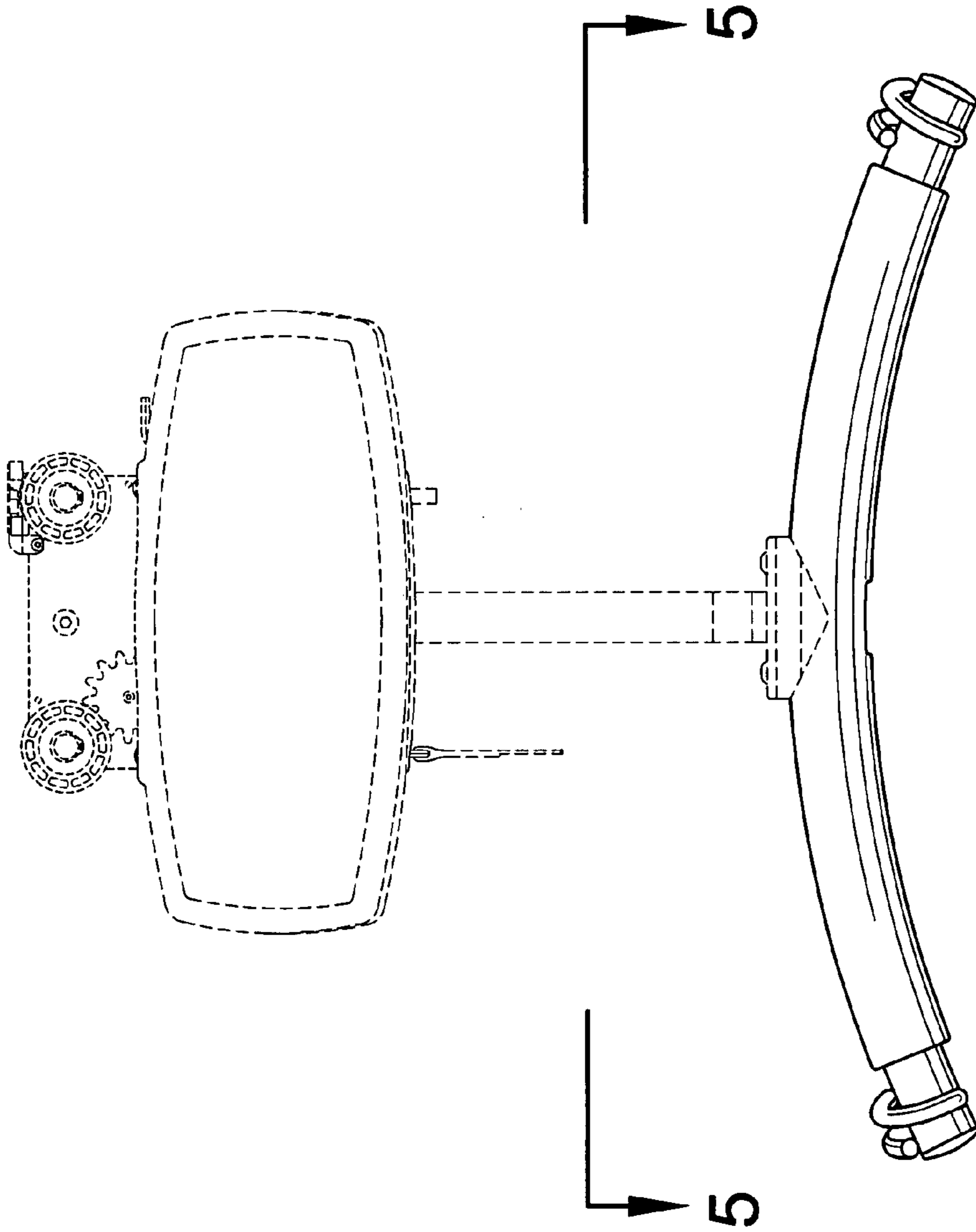


FIG. 3

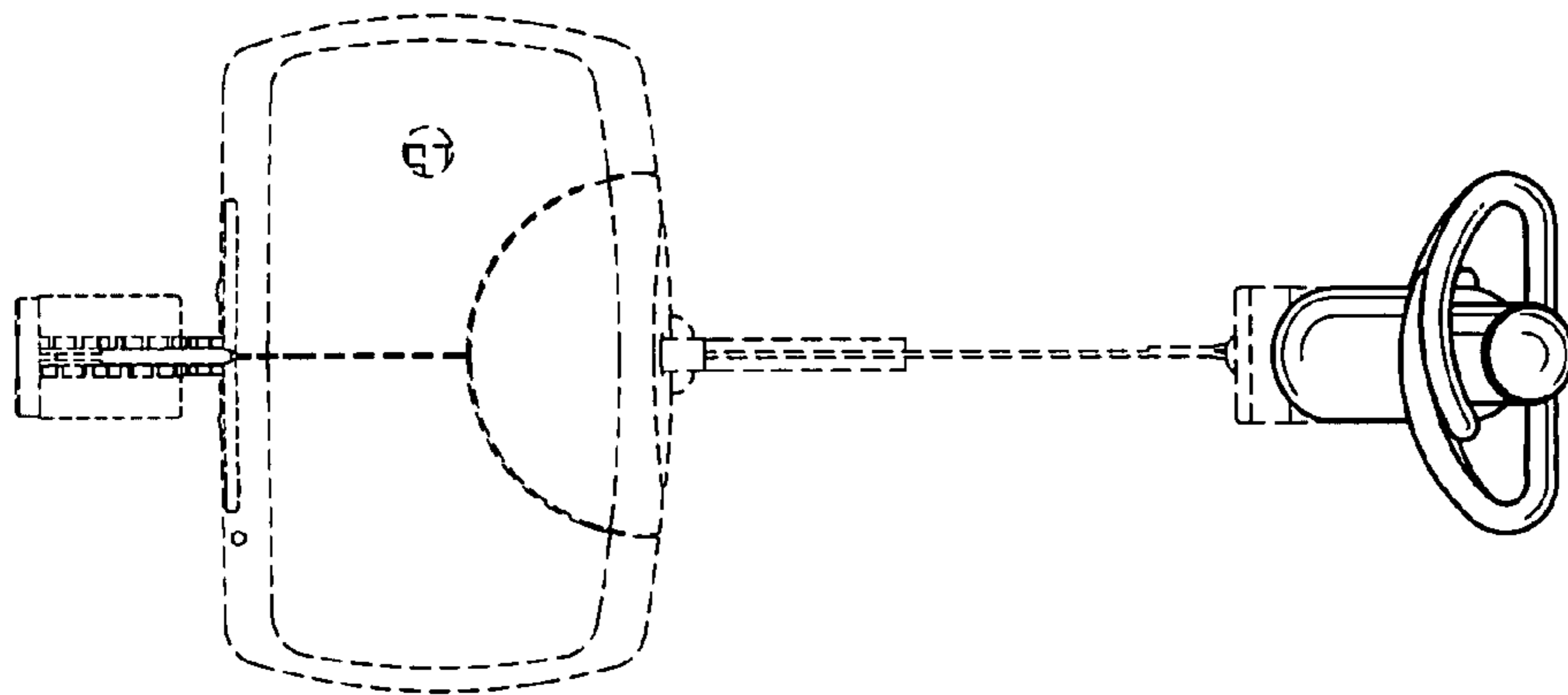


FIG. 4

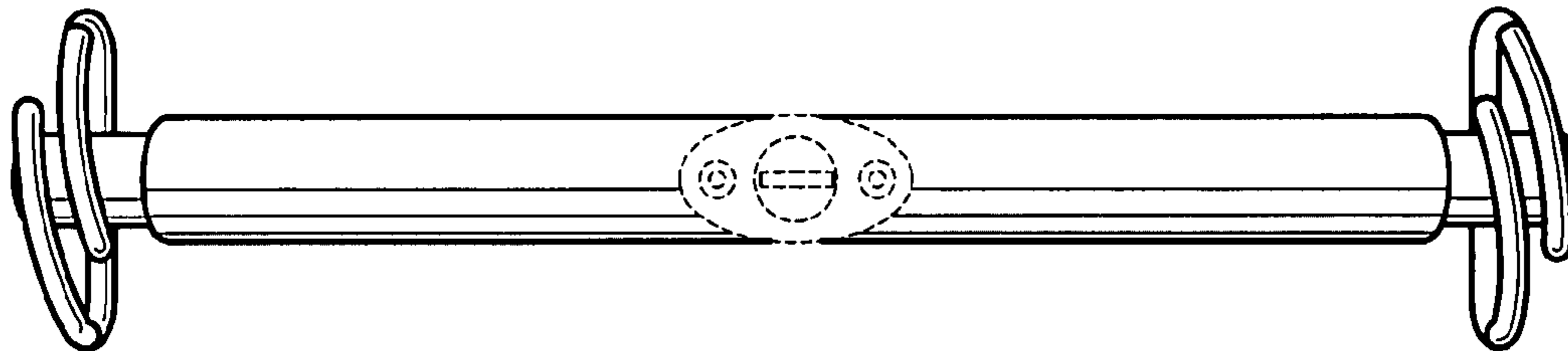


FIG. 5

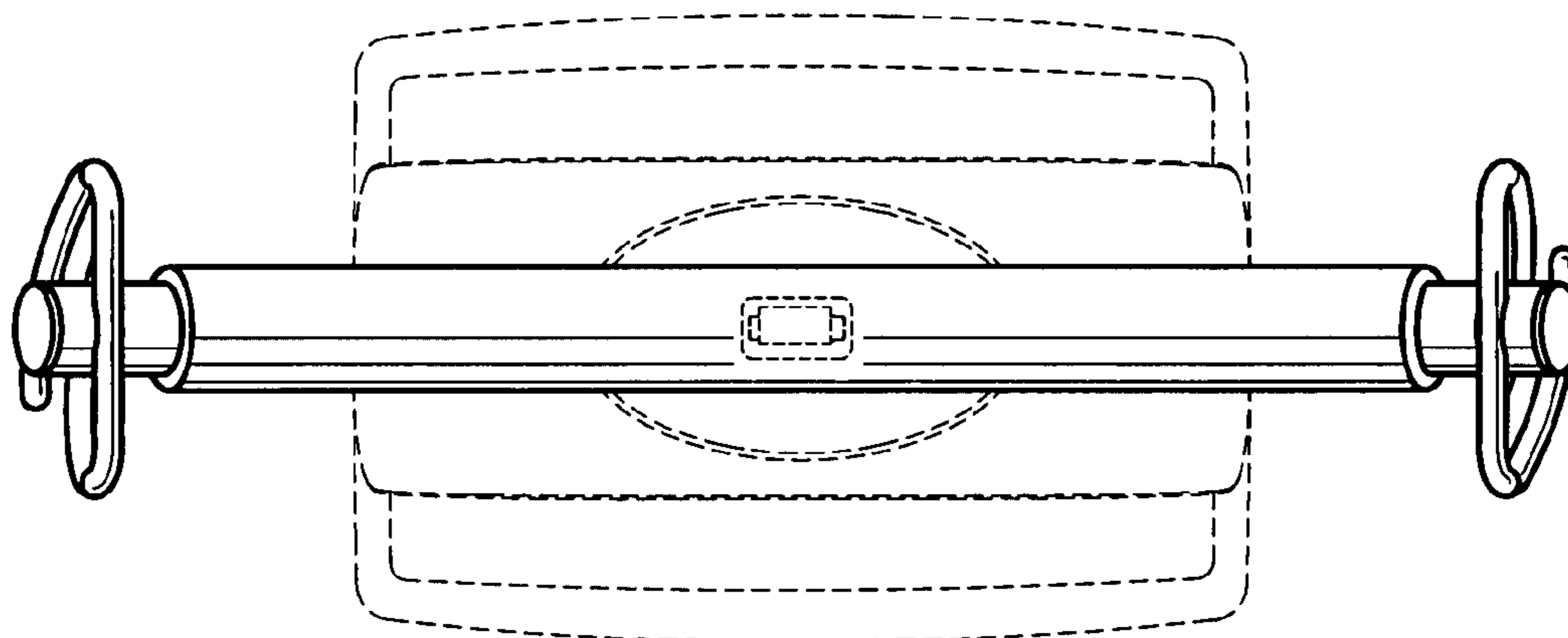


FIG. 6

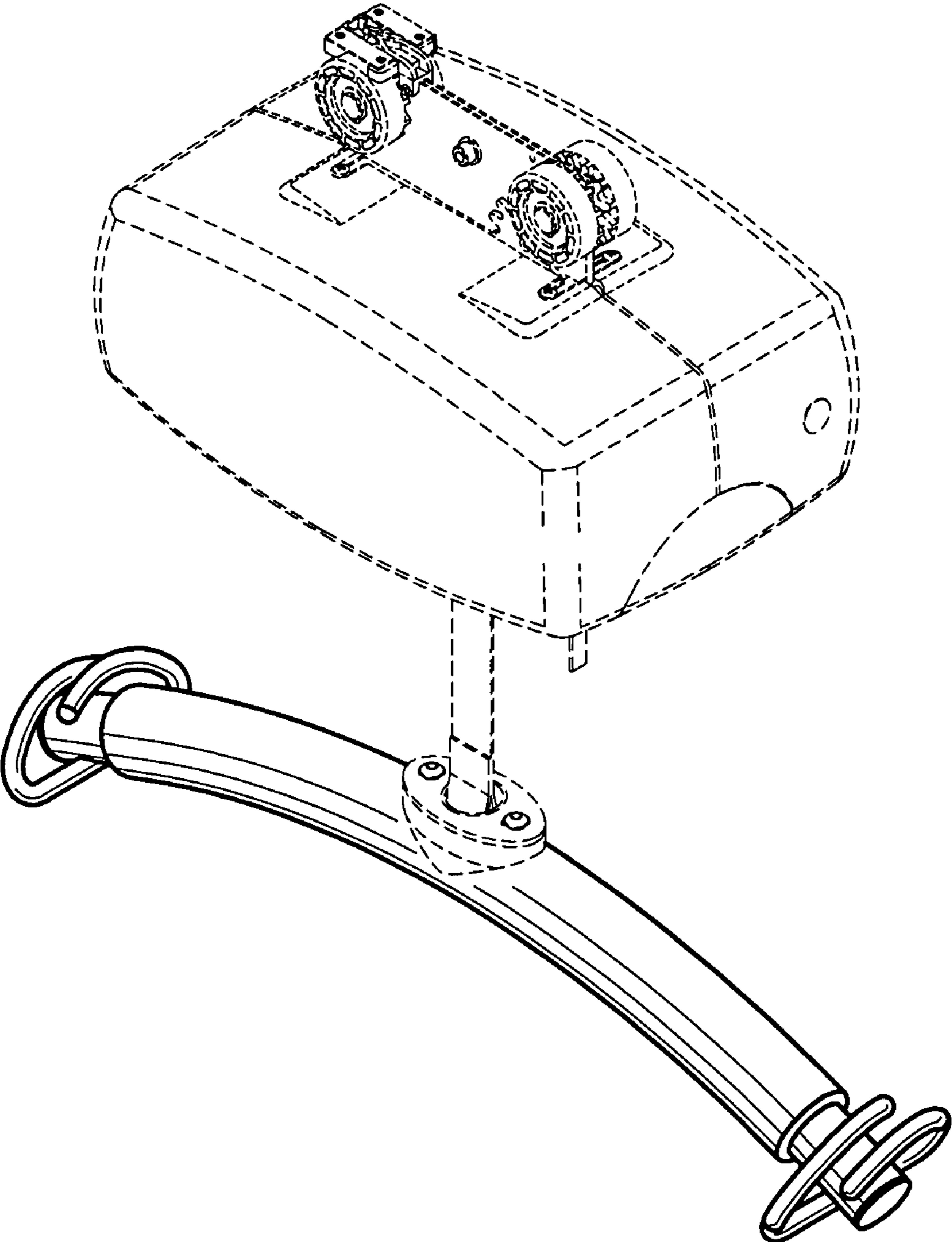


FIG. 7