



US00D567470S

(12) **United States Design Patent**  
**Dethier**

(10) **Patent No.:** **US D567,470 S**

(45) **Date of Patent:** **\*\* Apr. 22, 2008**

(54) **CART**

(76) **Inventor:** **Livin Fernand Georges Dethier,**  
Leemkuilstraat 144, 3570 Alken (BE)

(\*\*) **Term:** **14 Years**

(21) **Appl. No.:** **29/285,004**

(22) **Filed:** **Mar. 20, 2007**

(30) **Foreign Application Priority Data**

Sep. 21, 2006 (BX) ..... 82108-00

(51) **LOC (8) Cl.** ..... **12-02**

(52) **U.S. Cl.** ..... **D34/24**

(58) **Field of Classification Search** ..... D34/12-27;  
280/47.35, 47.19, 47.18, 33.996, 33.993,  
280/33.991, 47.28, 47.29, 47.74, 654, 655,  
280/79.3

See application file for complete search history.

(56) **References Cited**

**U.S. PATENT DOCUMENTS**

D302,887 S \* 8/1989 Ackerfeldt ..... D34/15  
6,193,319 B1 \* 2/2001 Kielinski ..... 298/2

D441,935 S \* 5/2001 Cook ..... D34/24  
D449,415 S \* 10/2001 Durieux ..... D34/17  
D514,767 S \* 2/2006 Schusler et al. .... D34/12  
D553,325 S \* 10/2007 Miller et al. .... D34/24

\* cited by examiner

*Primary Examiner*—Cynthia E Ramirez

(74) *Attorney, Agent, or Firm*—Bacon & Thomas, PLLC

(57) **CLAIM**

The ornamental design for a cart, as shown and described.

**DESCRIPTION**

FIG. 1 is an upper left perspective view of my design for a cart;

FIG. 2 is an upper right rear view thereof;

FIG. 3 is a plan view thereof;

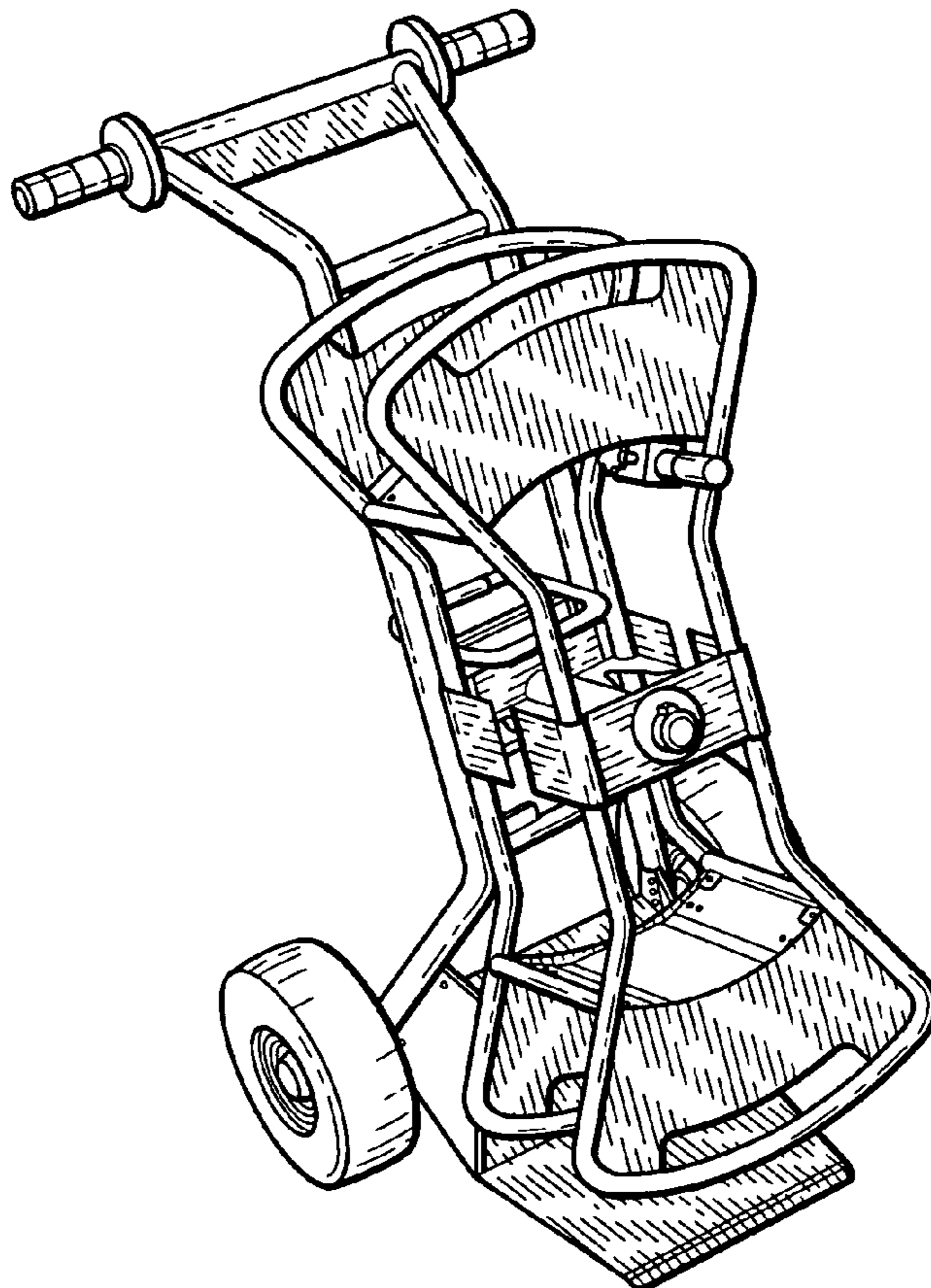
FIG. 4 is a bottom view thereof;

FIG. 5 is a front elevation view thereof;

FIG. 6 is a rear elevation view thereof; and,

FIG. 7 is a left side view thereof, the right side view being a mirror image thereof.

**1 Claim, 3 Drawing Sheets**



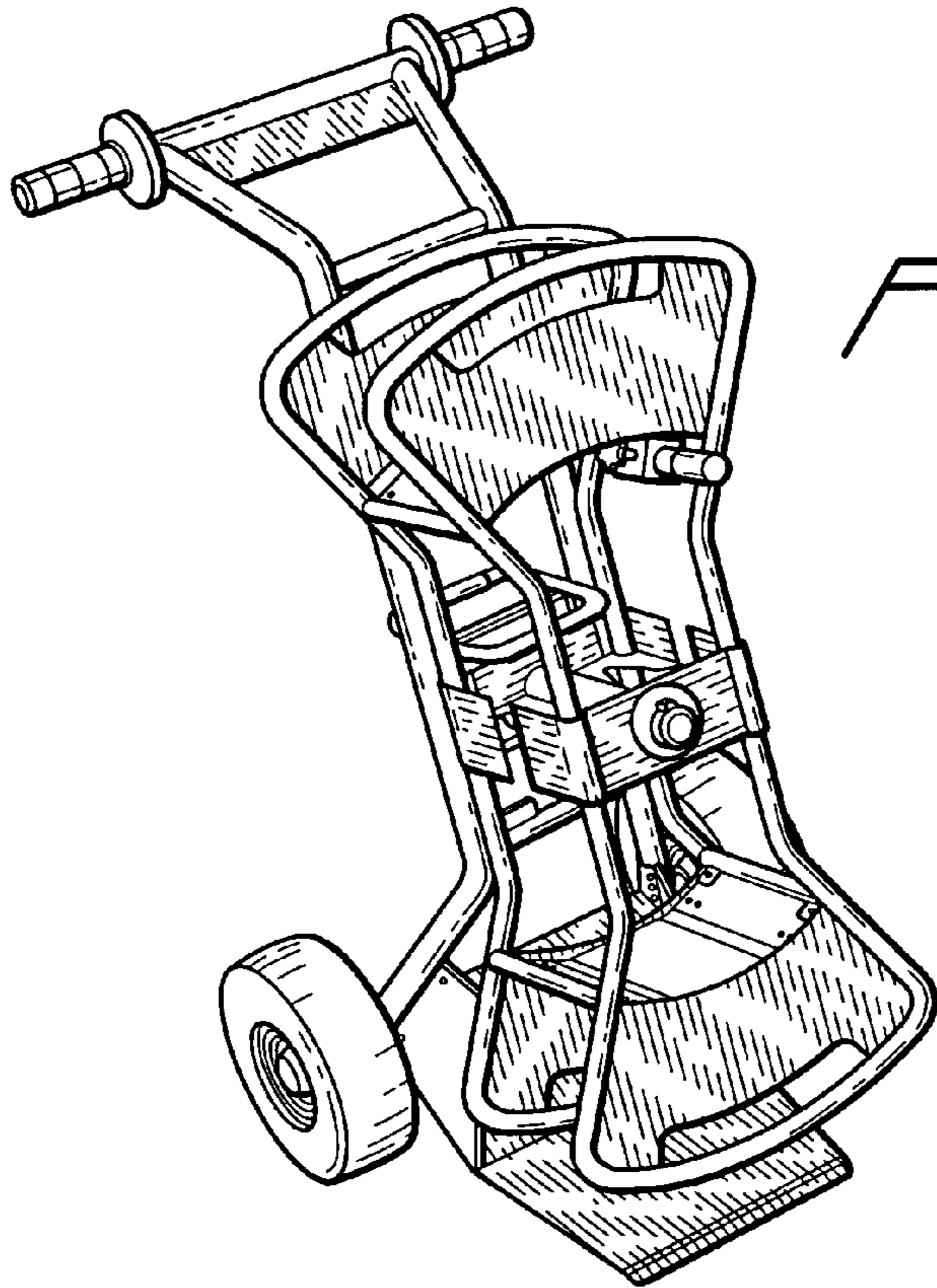


FIG. 1

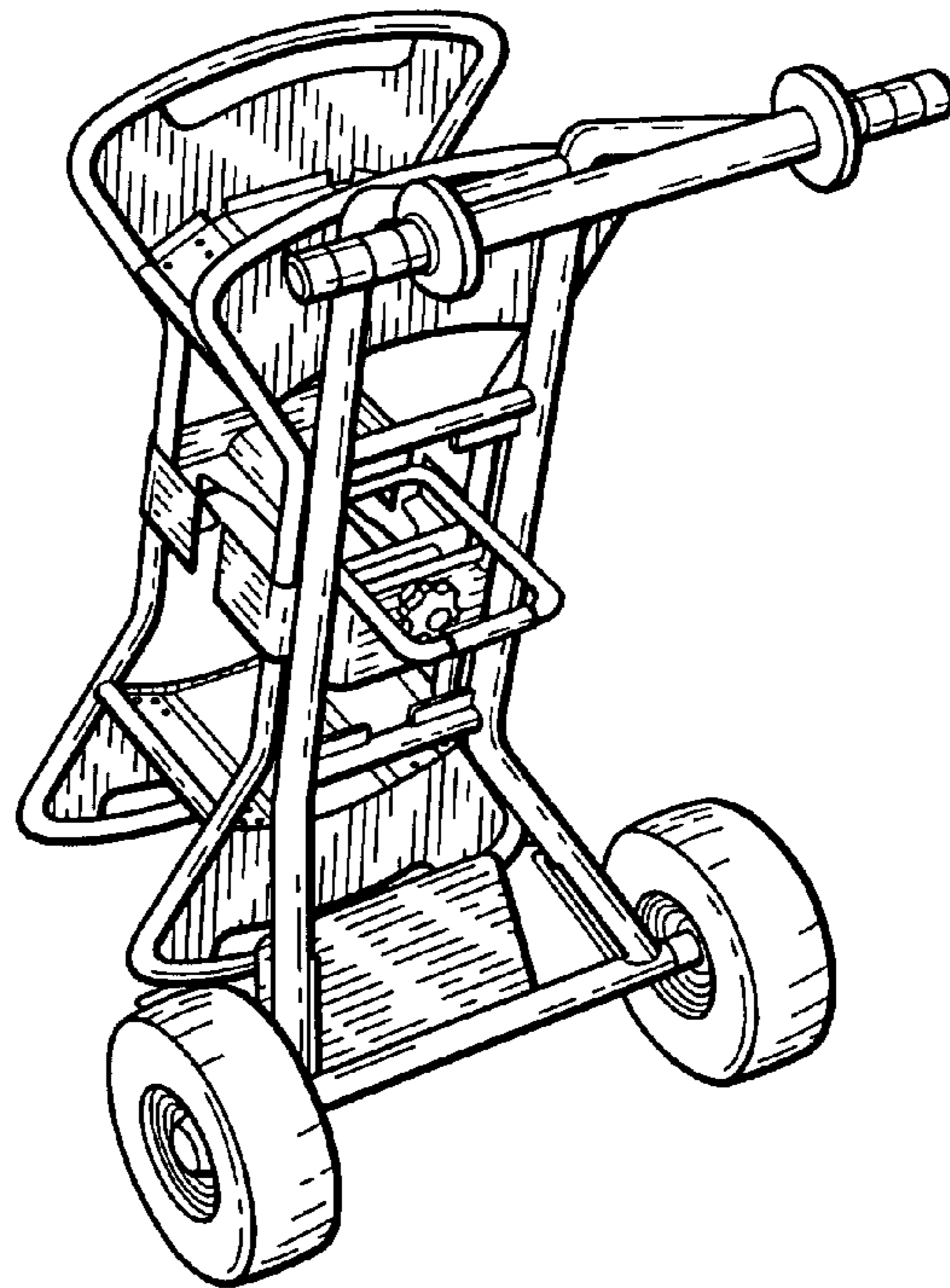


FIG. 2

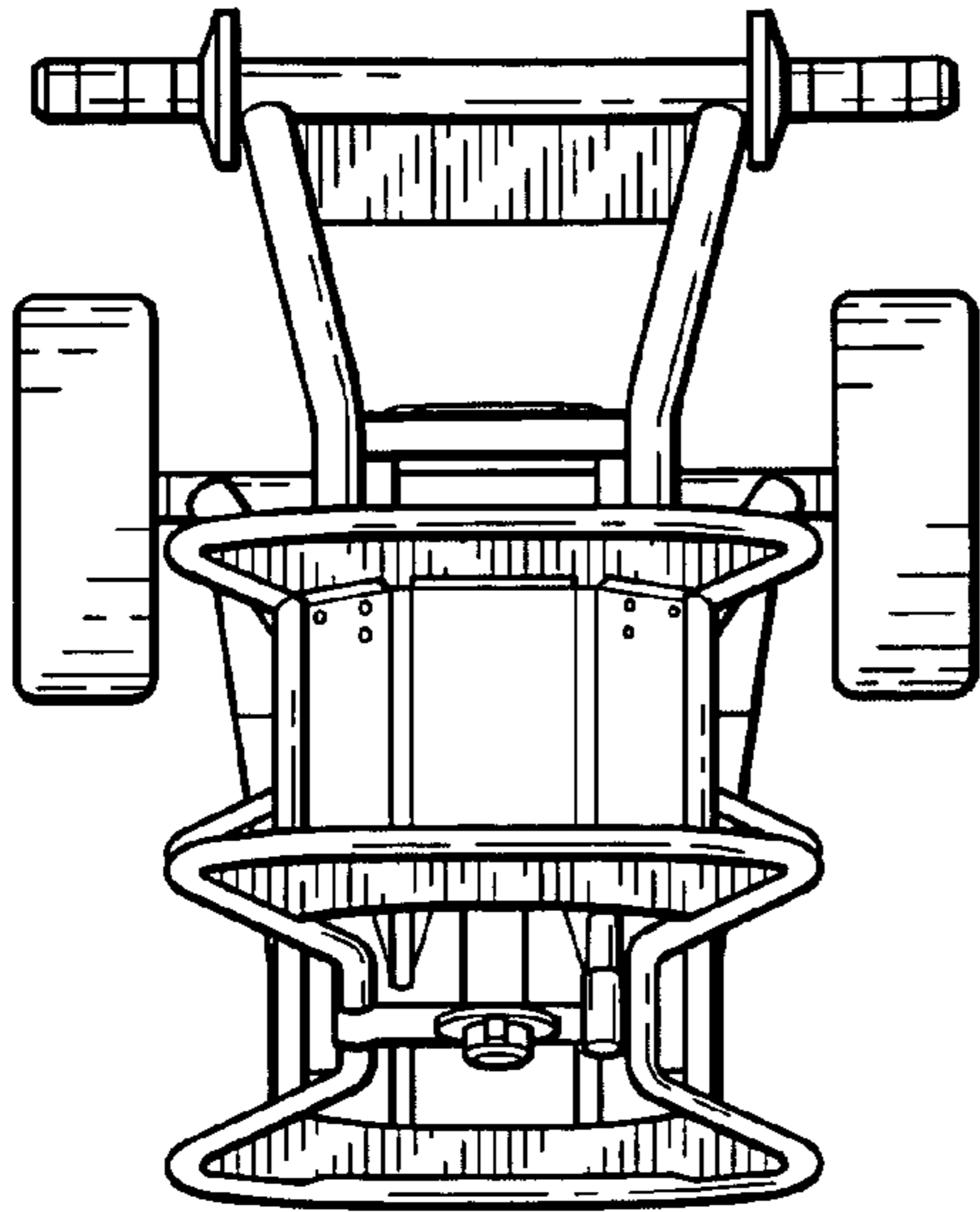


FIG. 3

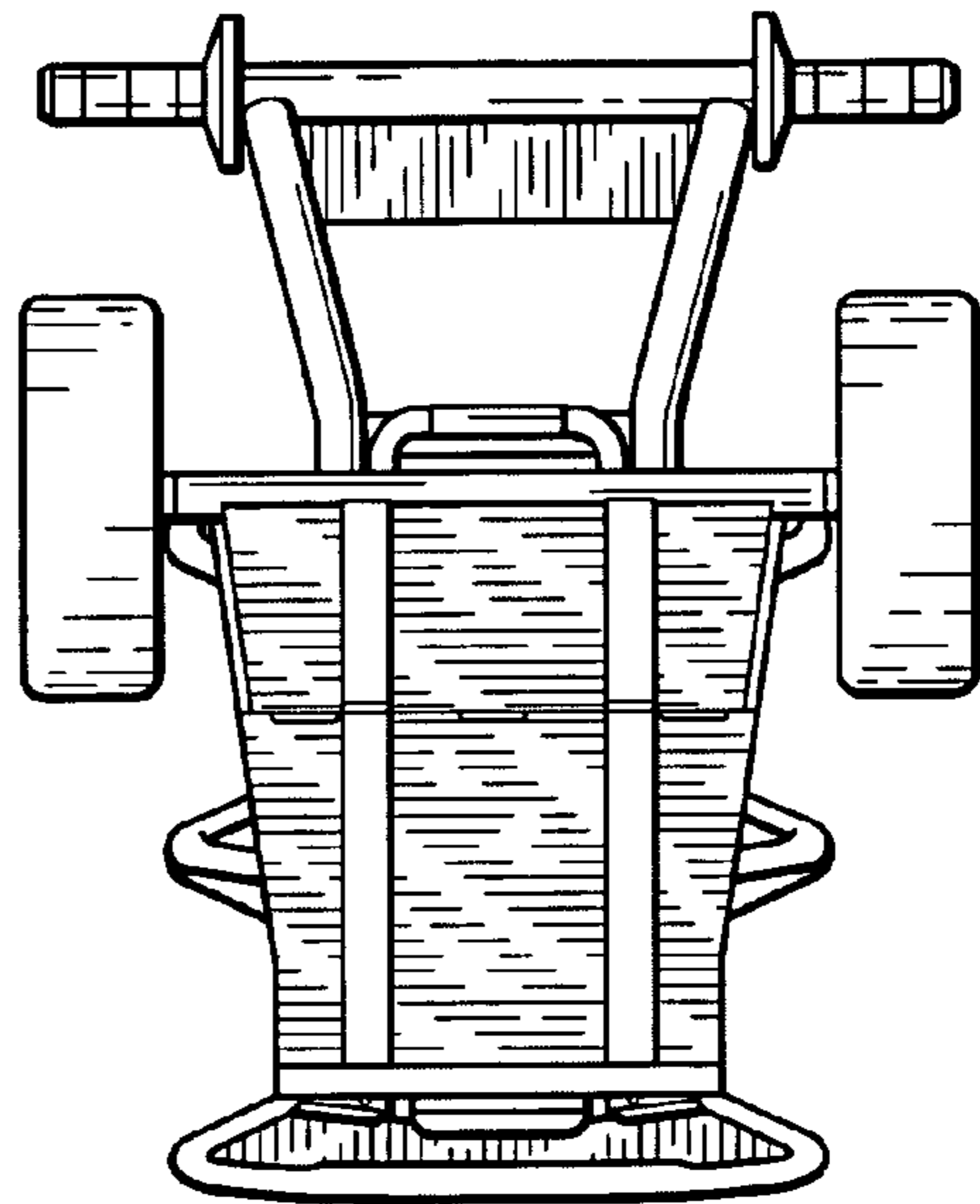


FIG. 4

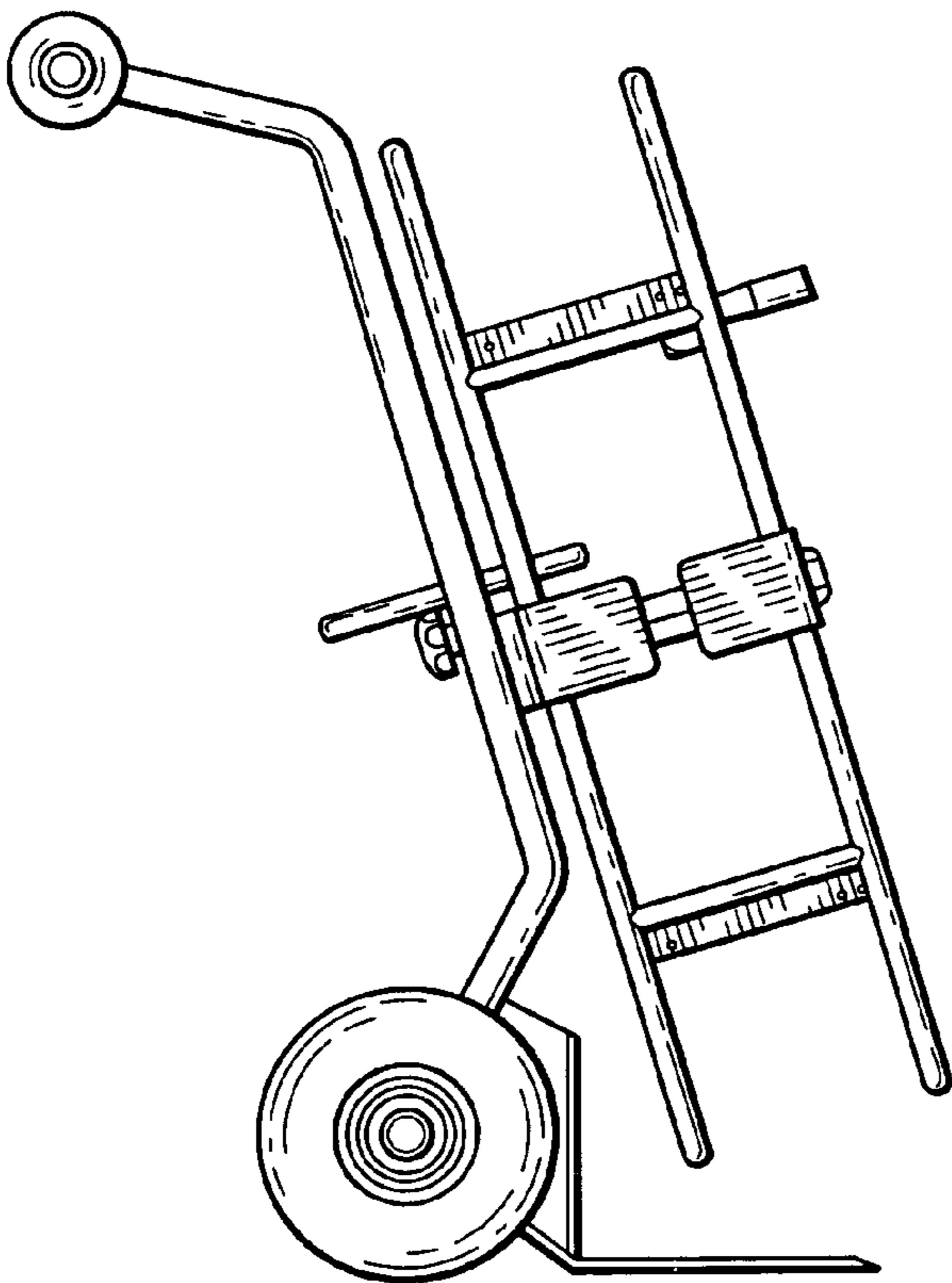


FIG. 7

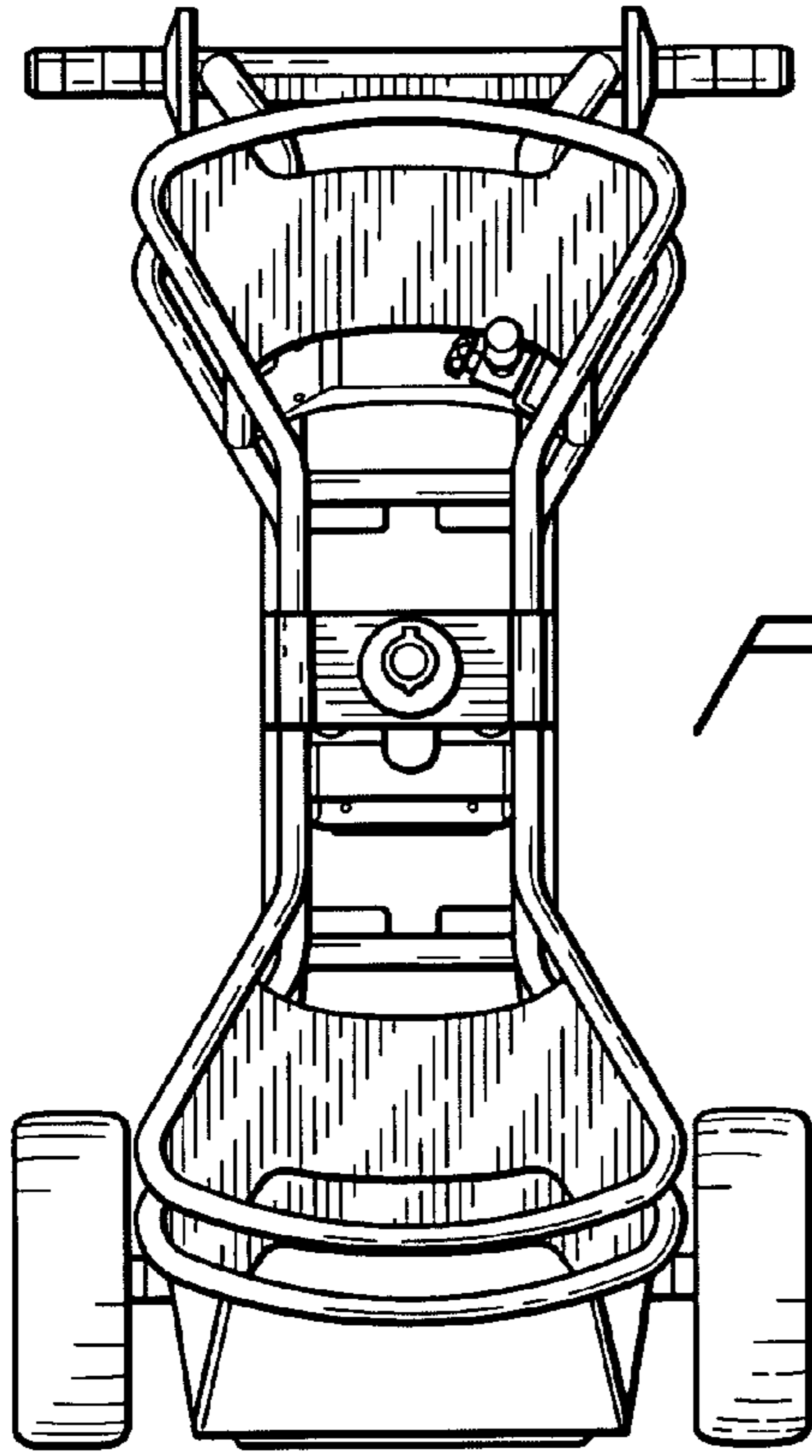


FIG. 5

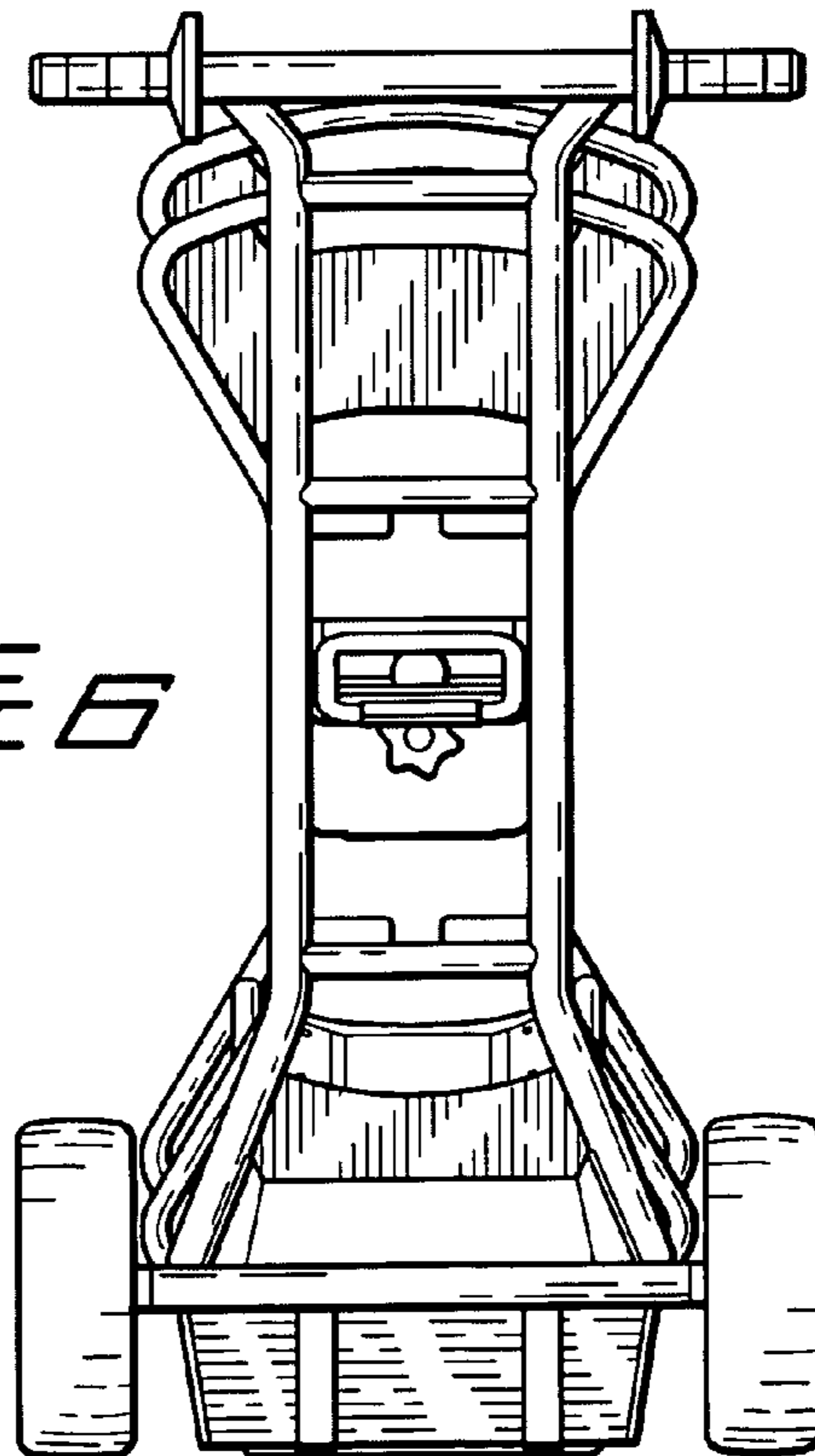


FIG. 6