



US00D567465S

(12) **United States Design Patent**
Lucker

(10) **Patent No.:** **US D567,465 S**

(45) **Date of Patent:** **** Apr. 22, 2008**

(54) **TRASH BAG FUNNEL FOR YARD DEBRIS**

(76) **Inventor:** **David A. Lucker**, 1587 Old Hickory La., St. Joseph, MI (US) 49085

(**) **Term:** **14 Years**

(21) **Appl. No.:** **29/285,772**

(22) **Filed:** **Apr. 10, 2007**

(51) **LOC (8) Cl.** **09-09**

(52) **U.S. Cl.** **D34/6**

(58) **Field of Classification Search** D34/1,
D34/5, 6, 11, 10; 248/95, 97, 99, 100, 101
See application file for complete search history.

(56) **References Cited**

U.S. PATENT DOCUMENTS

3,915,329	A	10/1975	Zaks	
4,139,029	A *	2/1979	Geraci	141/98
4,470,627	A	9/1984	Carroll et al.	
4,570,423	A *	2/1986	DeLong	53/578
5,593,117	A	1/1997	Alexander, III	
5,716,033	A	2/1998	Gibson	
5,868,364	A	2/1999	MacMillan	
5,871,037	A	2/1999	Feldt	
5,915,768	A	6/1999	Young	
D414,008	S *	9/1999	Jackson	D34/6
6,085,647	A	7/2000	Burow	

D507,179	S	7/2005	King et al.	
6,938,860	B2	9/2005	Singleton	
2005/0017136	A1 *	1/2005	Bower et al.	248/163.2
2005/0151033	A1 *	7/2005	Folkmar	248/95

* cited by examiner

Primary Examiner—Cynthia E Ramirez

(74) *Attorney, Agent, or Firm*—Robert C. Montgomery

(57) **CLAIM**

The ornamental design for a trash bag funnel for yard debris, as shown and described.

DESCRIPTION

FIG. 1 is an illustrative perspective view of a trash funnel showing my new design;

FIG. 2 is a frontal view thereof;

FIG. 3 is a rear view thereof;

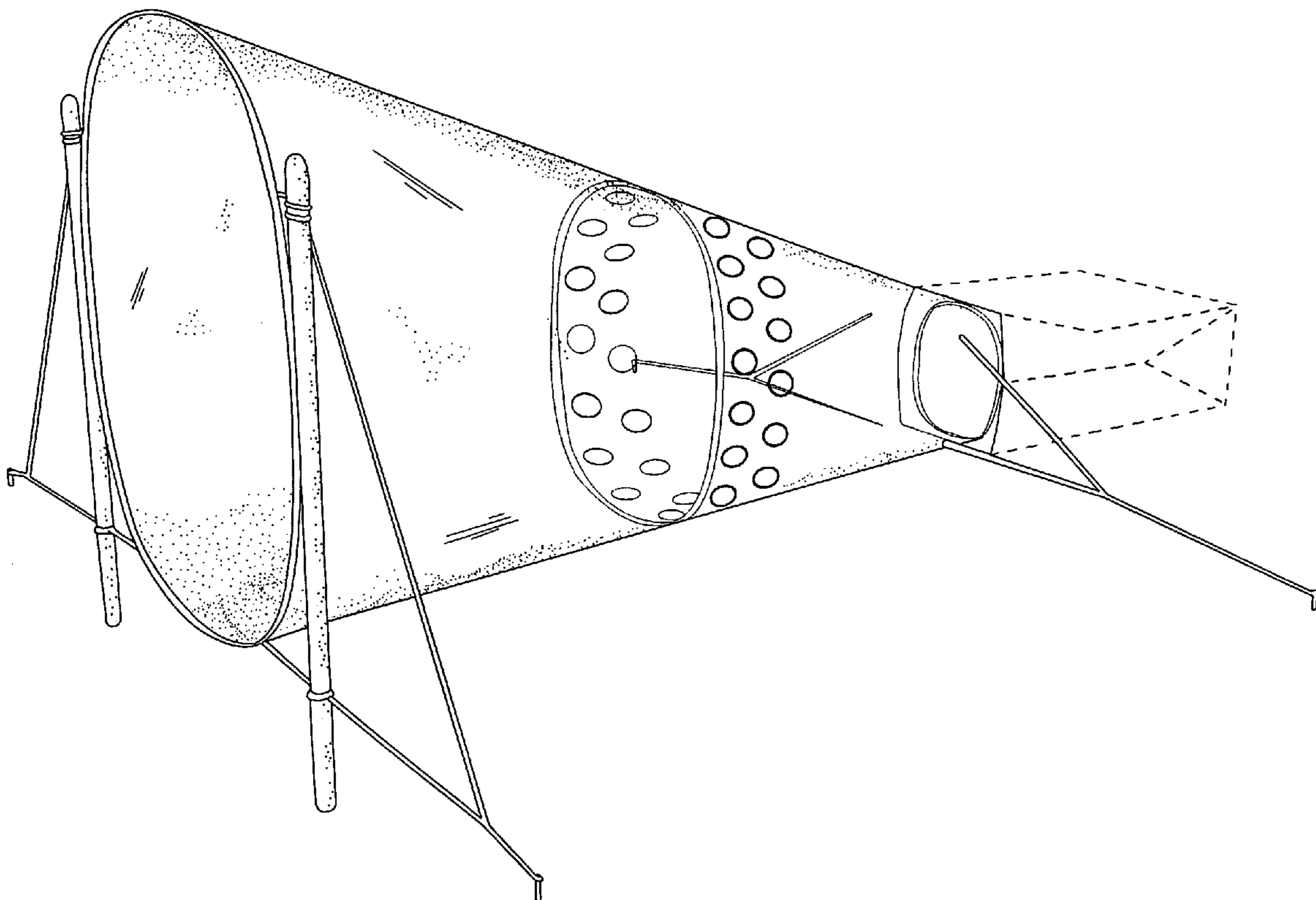
FIG. 4 is a left hand side view thereof;

FIG. 5 is a right hand side view thereof; and,

FIG. 6 is a top plan view thereof.

The broken line showing of a bag in FIG. 1 is included for the purpose of illustrating environment and forms no part of the claimed design.

1 Claim, 4 Drawing Sheets



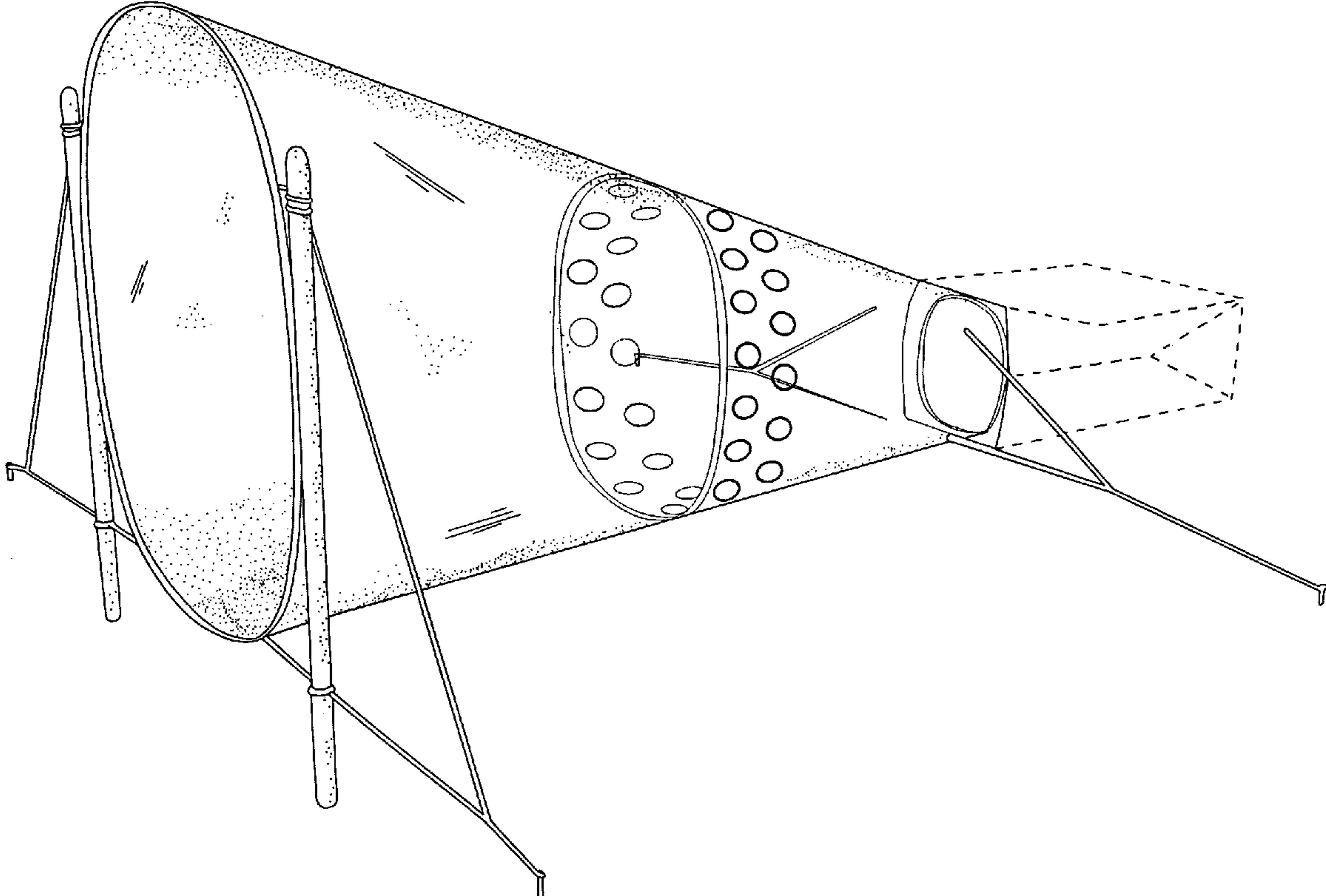


FIG. 1

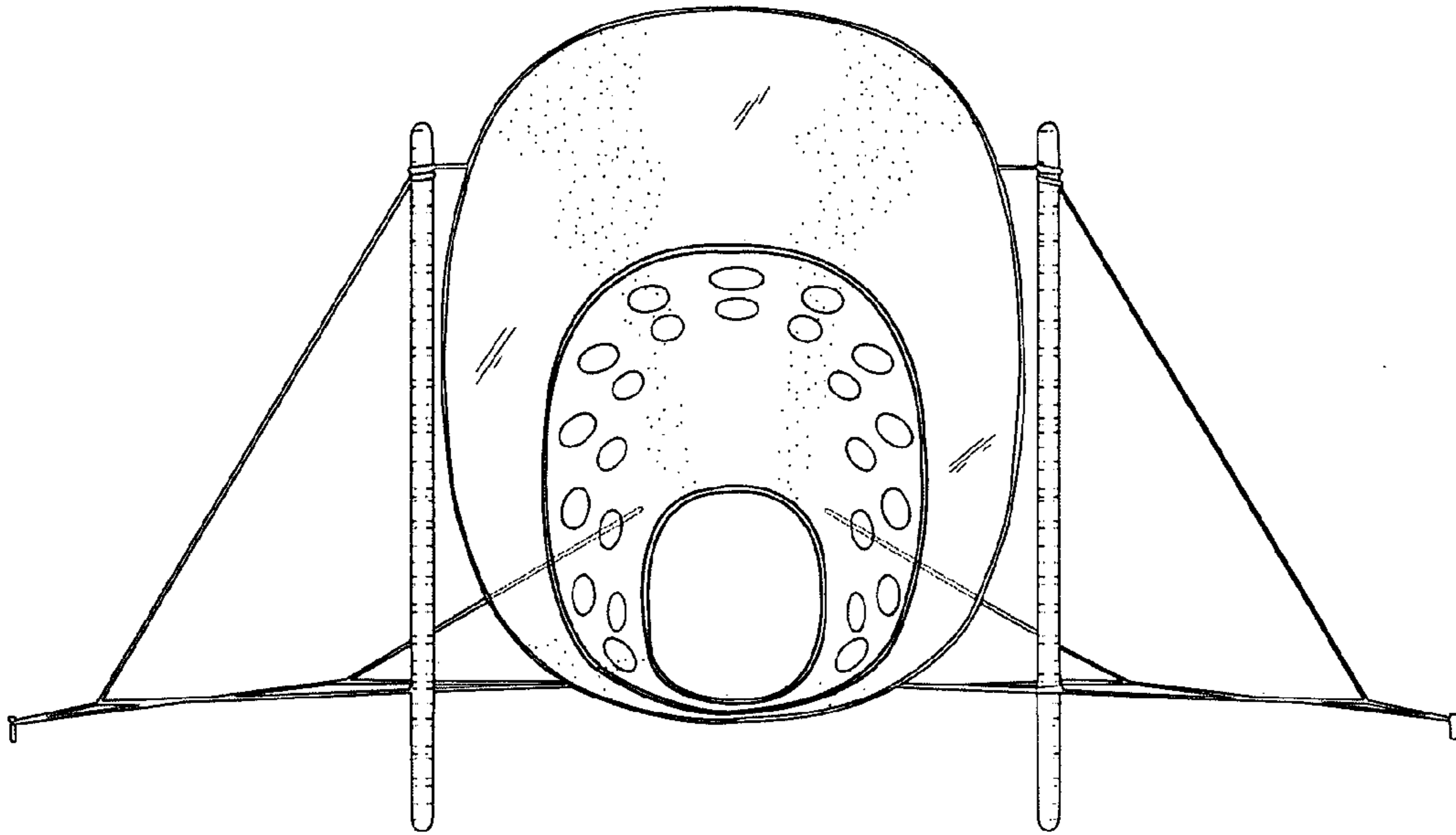


FIG. 2

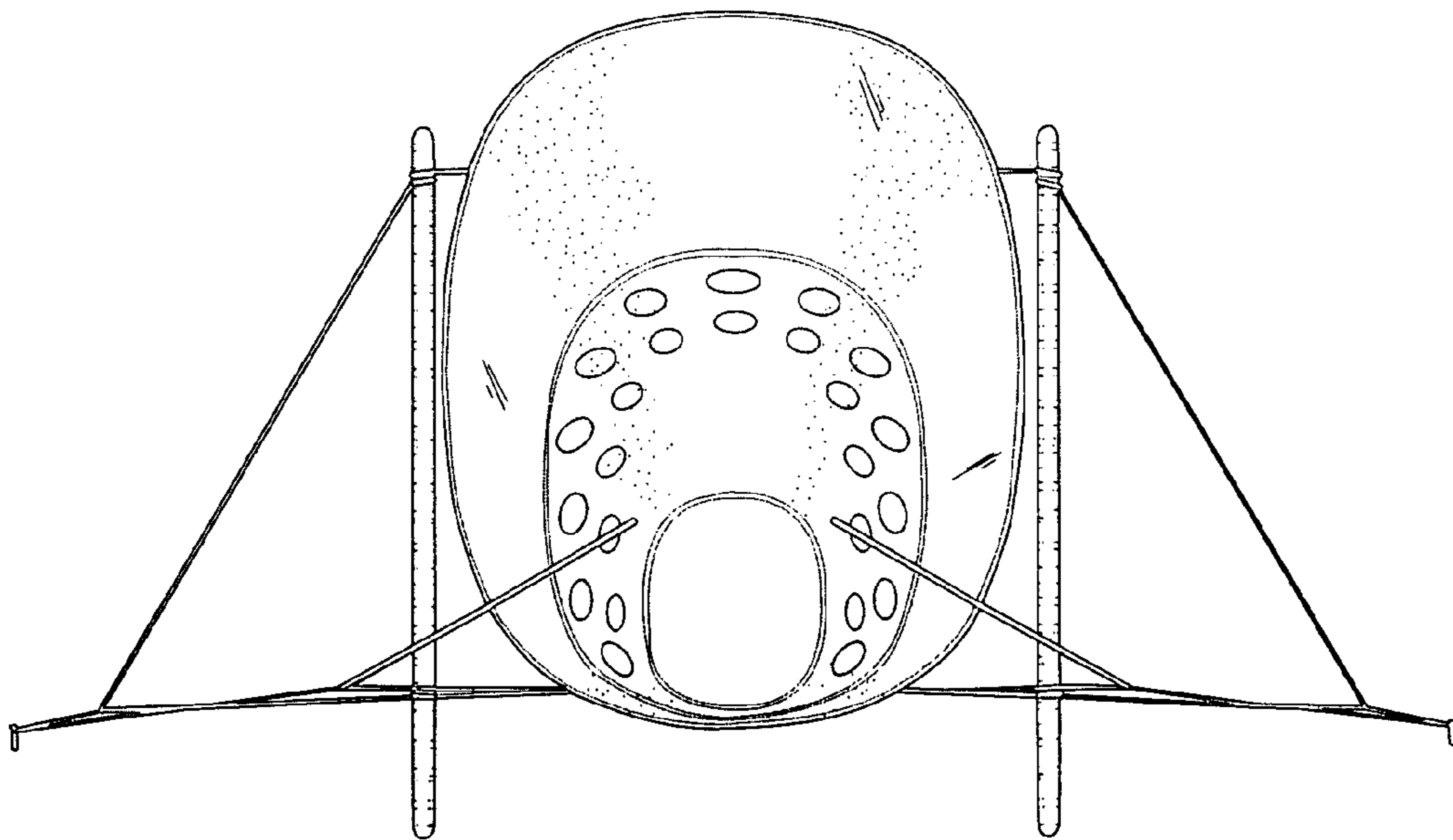


FIG. 3

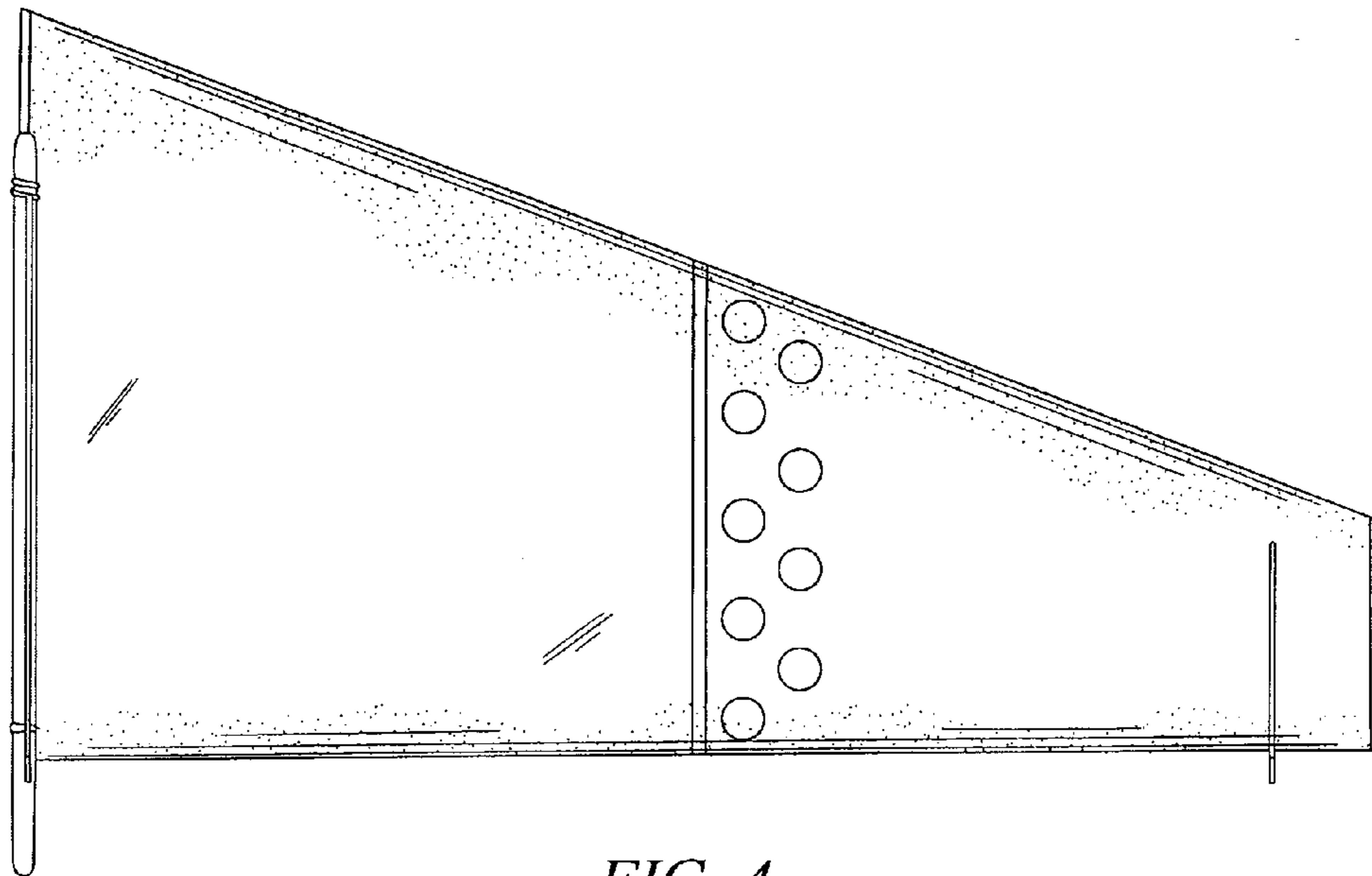


FIG. 4

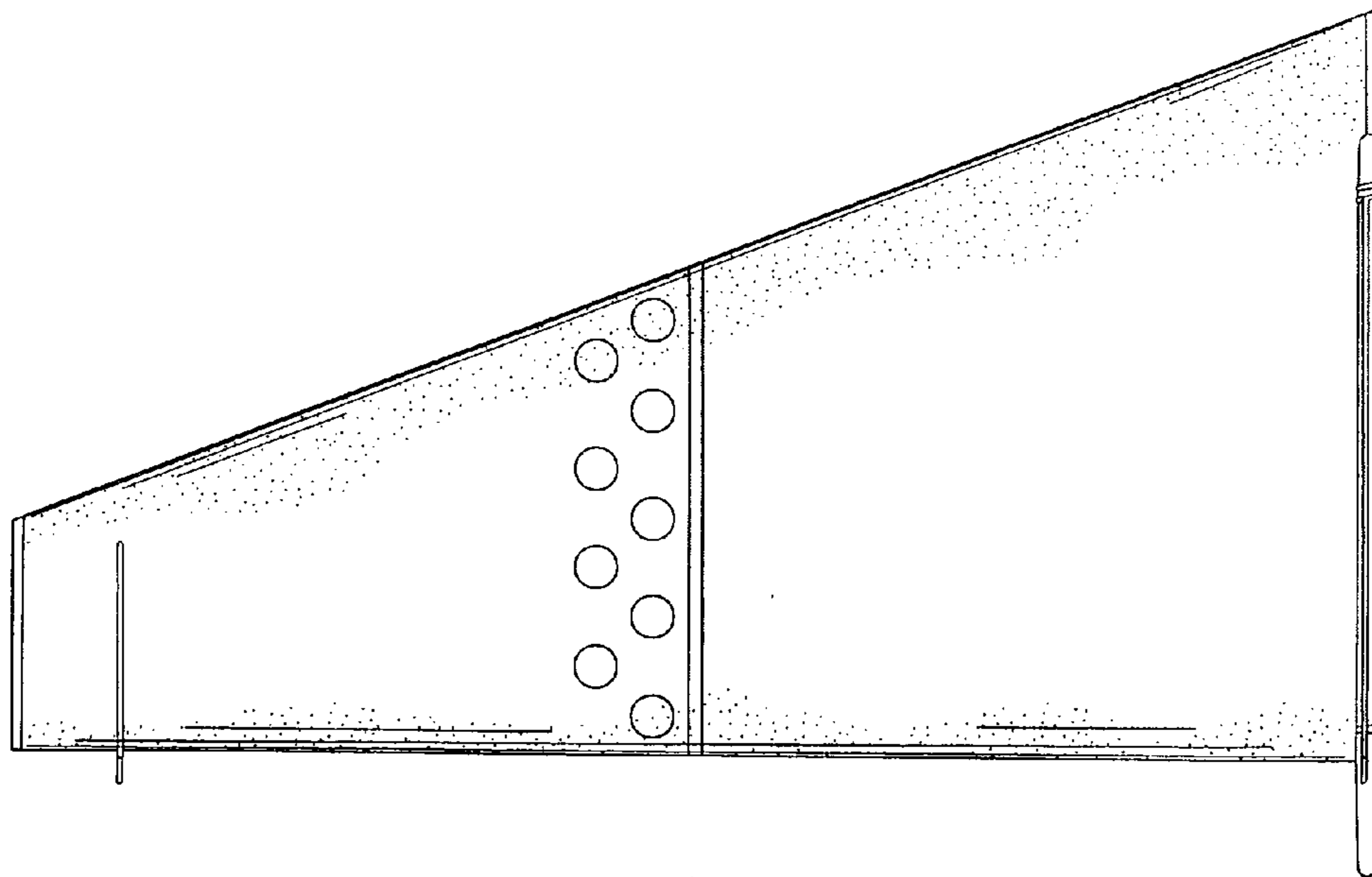


FIG. 5

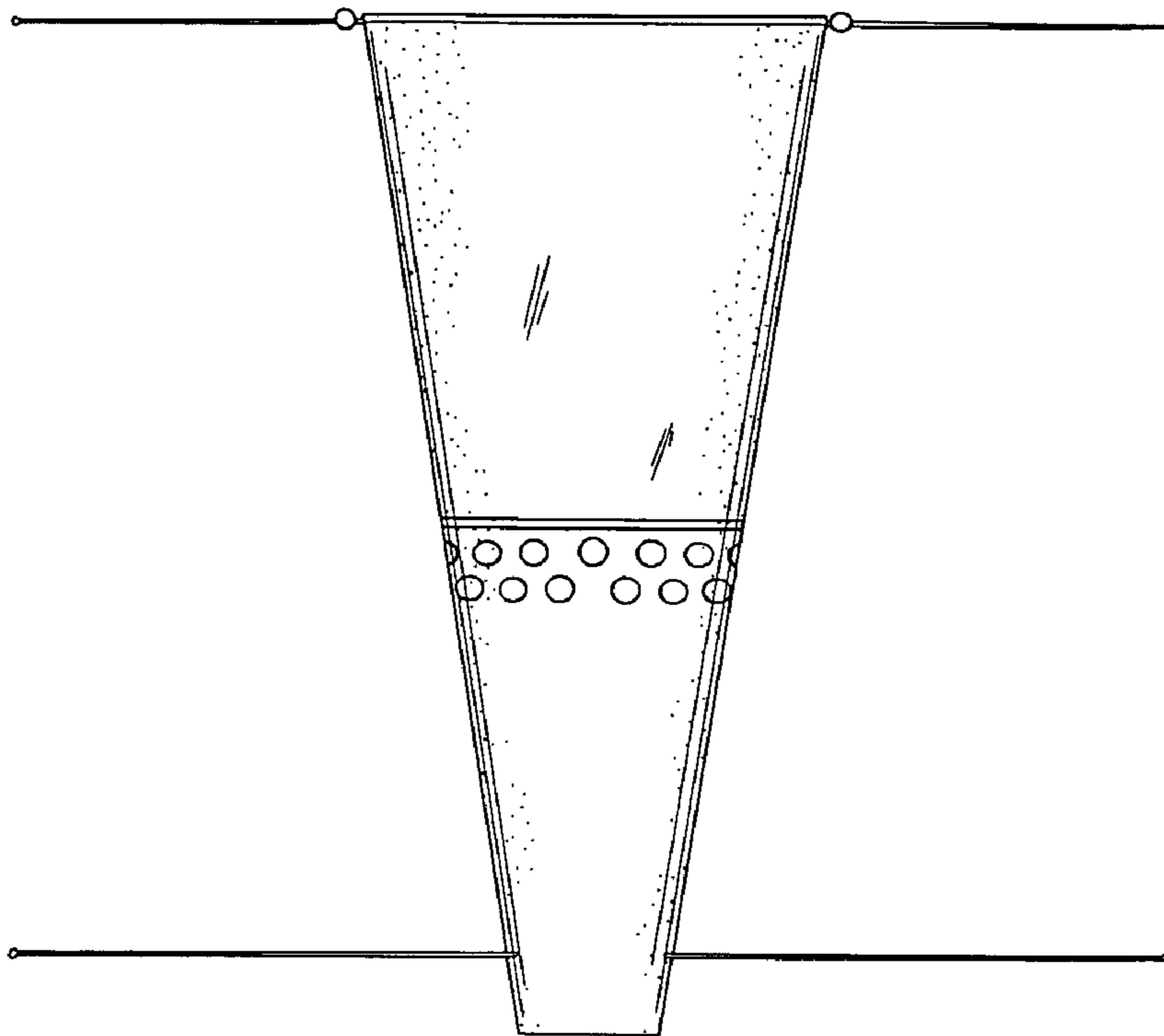


FIG. 6