



US00D567459S

(12) **United States Design Patent**
Dyson et al.

(10) **Patent No.:** **US D567,459 S**
(45) **Date of Patent:** **** Apr. 22, 2008**

(54) **HEAD FOR CLEANING APPLIANCE**
(75) Inventors: **James Dyson**, Wiltshire (GB); **Robert Paul Upton**, Wiltshire (GB)
(73) Assignee: **Dyson Limited**, Wiltshire (GB)
(**) Term: **14 Years**
(21) Appl. No.: **29/273,301**
(22) Filed: **Mar. 2, 2007**
(30) **Foreign Application Priority Data**
Sep. 5, 2006 (GB) 3025867

(51) **LOC (8) Cl.** **15-05**
(52) **U.S. Cl.** **D32/32**
(58) **Field of Classification Search** 15/321-322,
15/325, 329, 340.3, 89, 340.4, 90, 344, 361,
15/350-351, 362, 412, 246.2, 250; D32/21-23,
D32/31-34, 38-39
See application file for complete search history.

(56) **References Cited**
U.S. PATENT DOCUMENTS
D418,267 S * 12/1999 Lin D32/32
D449,724 S * 10/2001 Nighy et al. D32/32
D480,847 S * 10/2003 Fujii D32/22
D487,323 S * 3/2004 Leyden et al. D32/22

D487,827 S * 3/2004 Iike et al. D32/32
D488,268 S * 4/2004 Chen D32/15
D511,231 S * 11/2005 Langham et al. D32/33
D515,756 S * 2/2006 Allard et al. D32/32
D518,933 S * 4/2006 Courtney D32/32
D524,002 S * 6/2006 Worwag D32/32
D534,324 S * 12/2006 Dyson et al. D32/22

* cited by examiner
Primary Examiner—Sandra Snapp
(74) *Attorney, Agent, or Firm*—Morrison & Foerster LLP

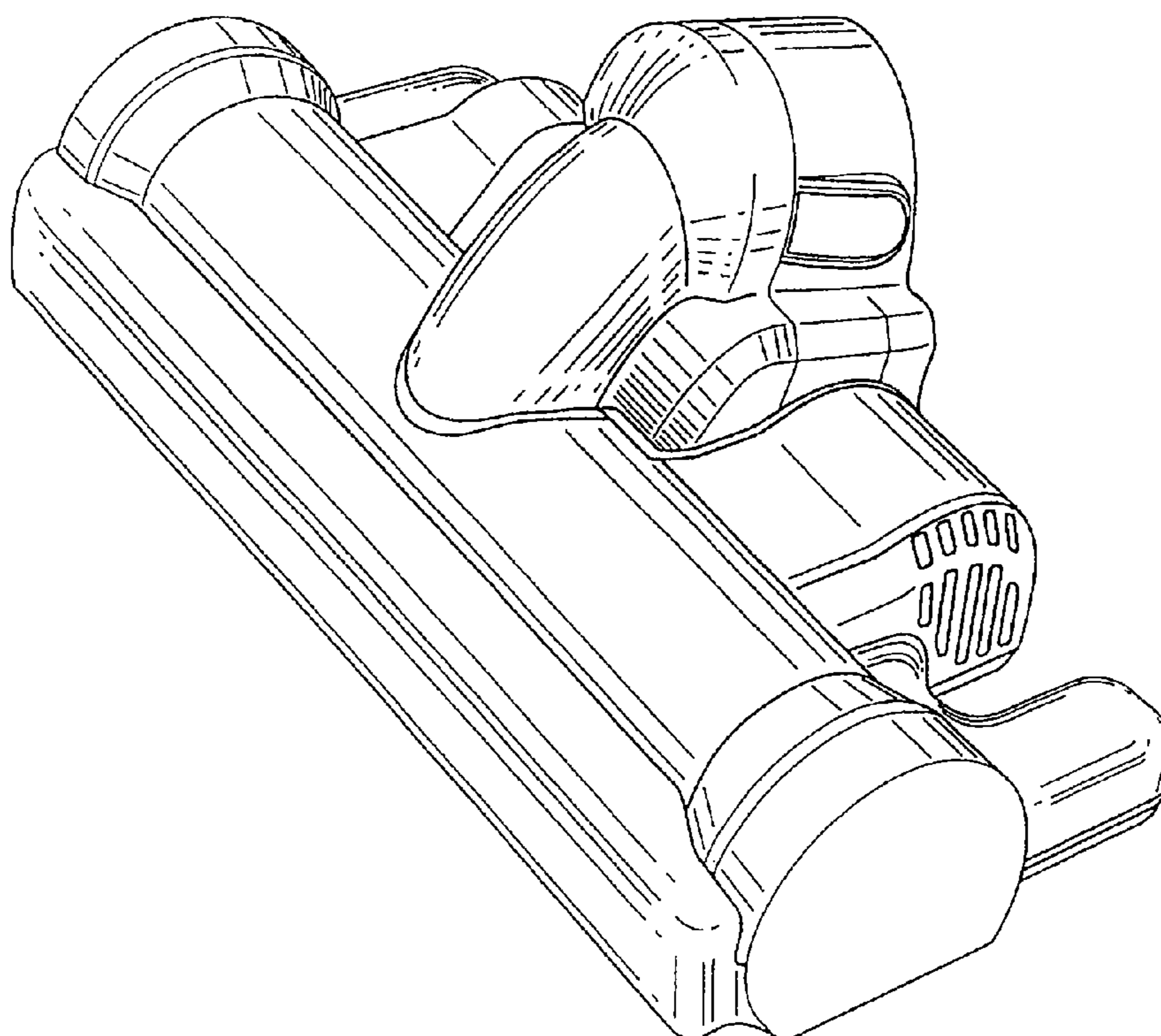
(57) **CLAIM**

We claim the ornamental design for a head for a cleaning appliance, as shown and described.

DESCRIPTION

FIG. 1 is a front perspective view of a head for a cleaning appliance showing our new design;
FIG. 2 is a rear perspective view thereof;
FIG. 3 is a top view thereof;
FIG. 4 is a bottom view thereof;
FIG. 5 is a side view thereof;
FIG. 6 is a side view of the opposite side of FIG. 5;
FIG. 7 is a front view thereof; and,
FIG. 8 is a rear view thereof.

1 Claim, 8 Drawing Sheets



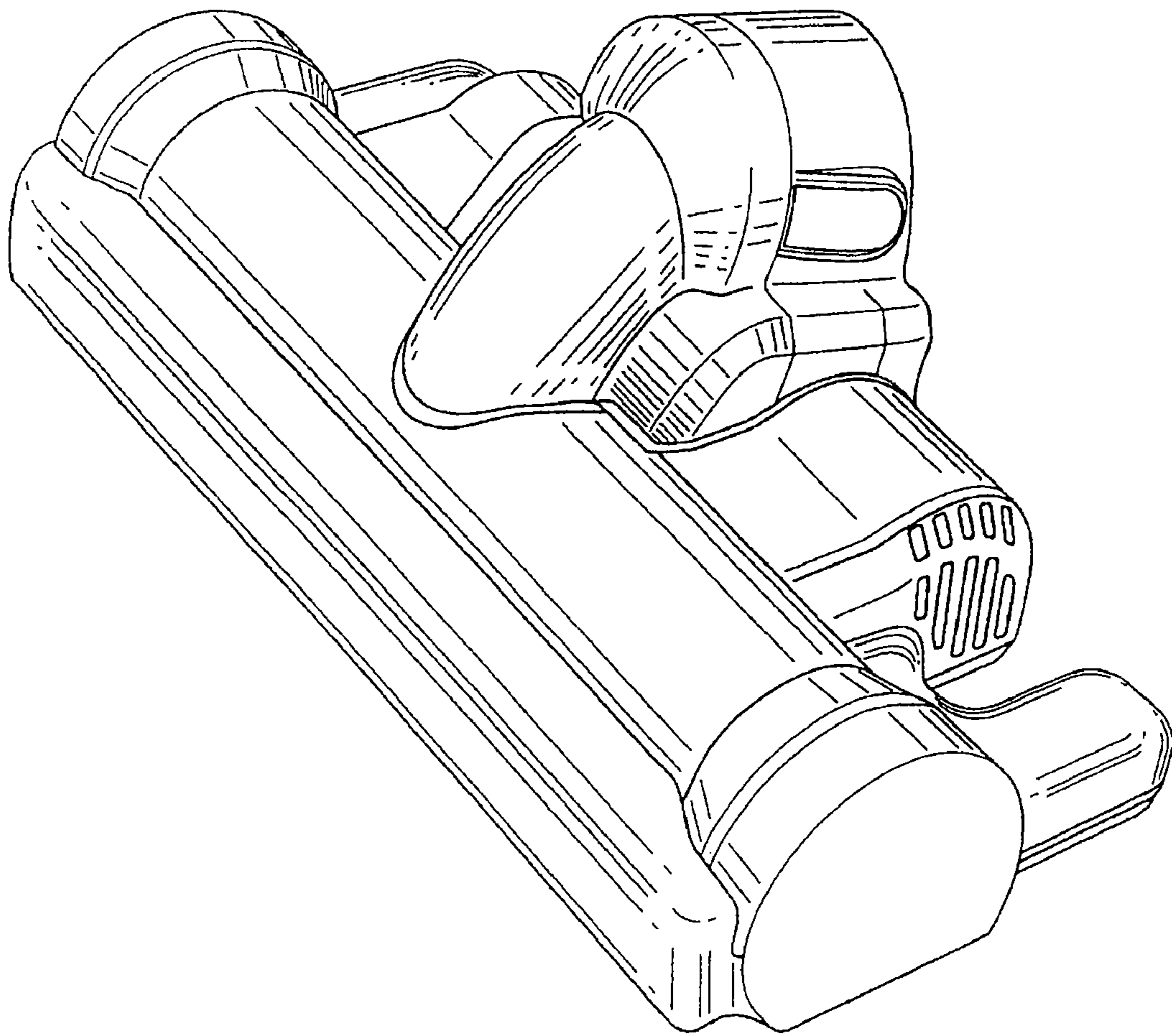


Fig. 1

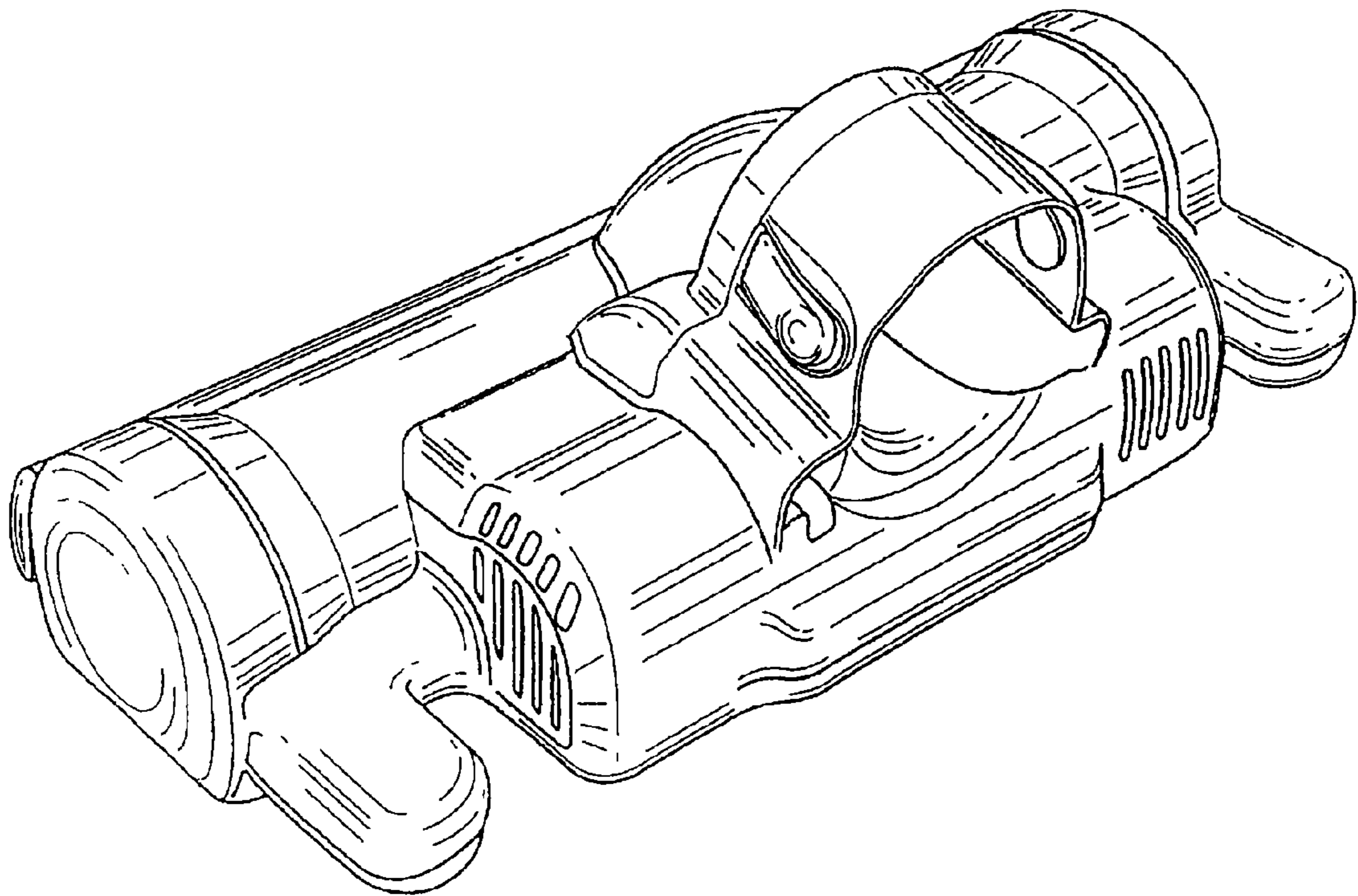


Fig. 2

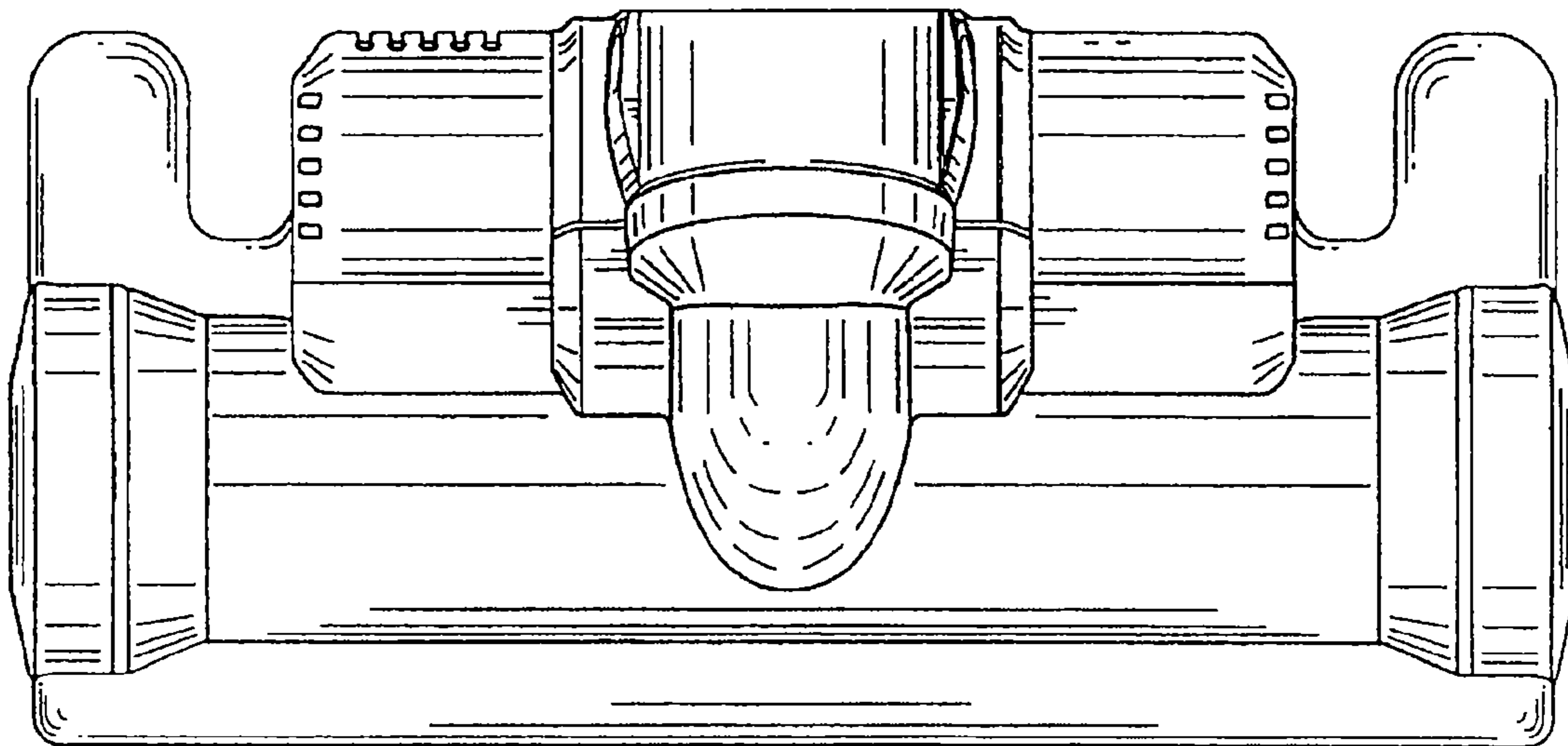


Fig. 3

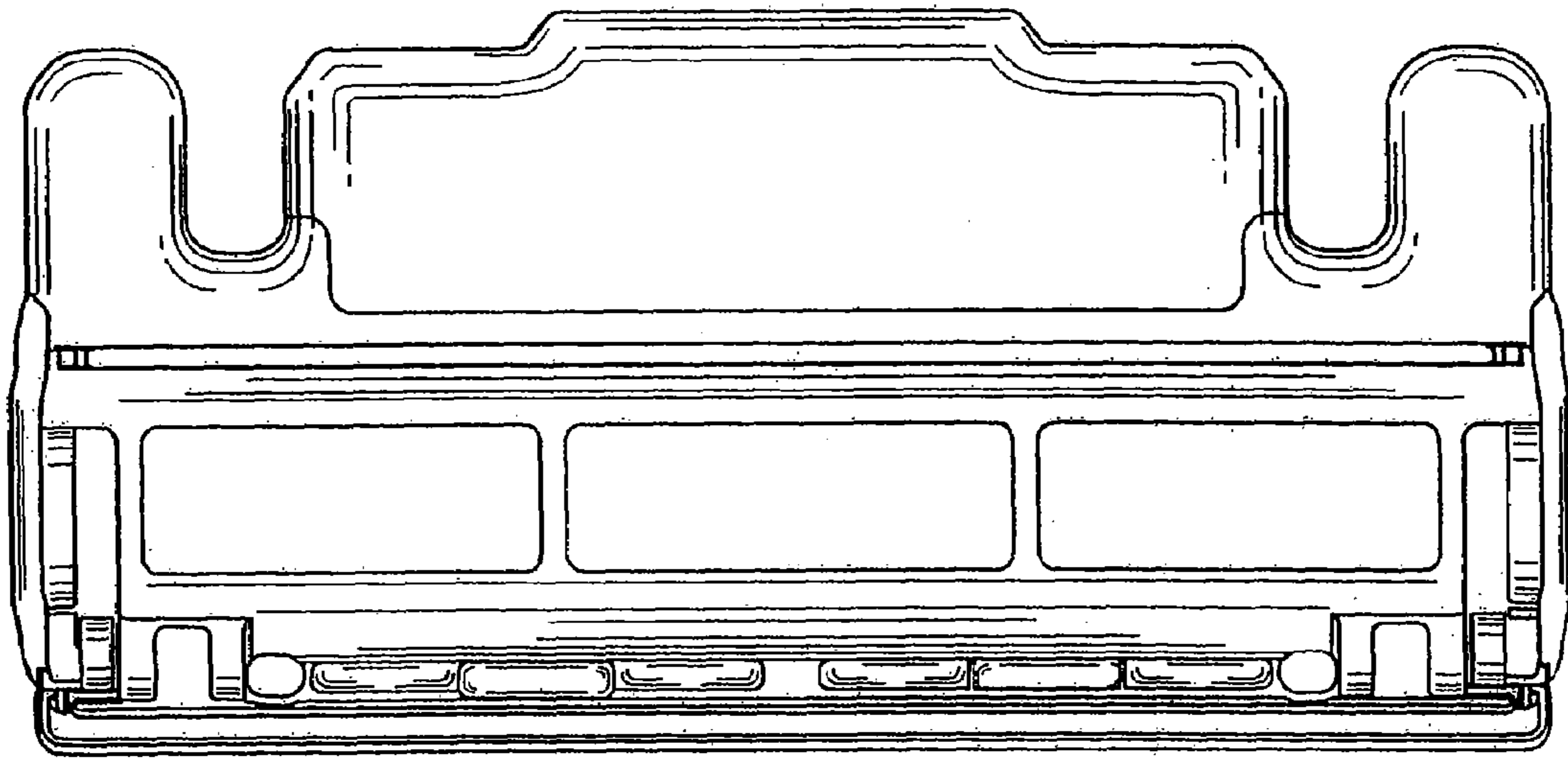


Fig. 4

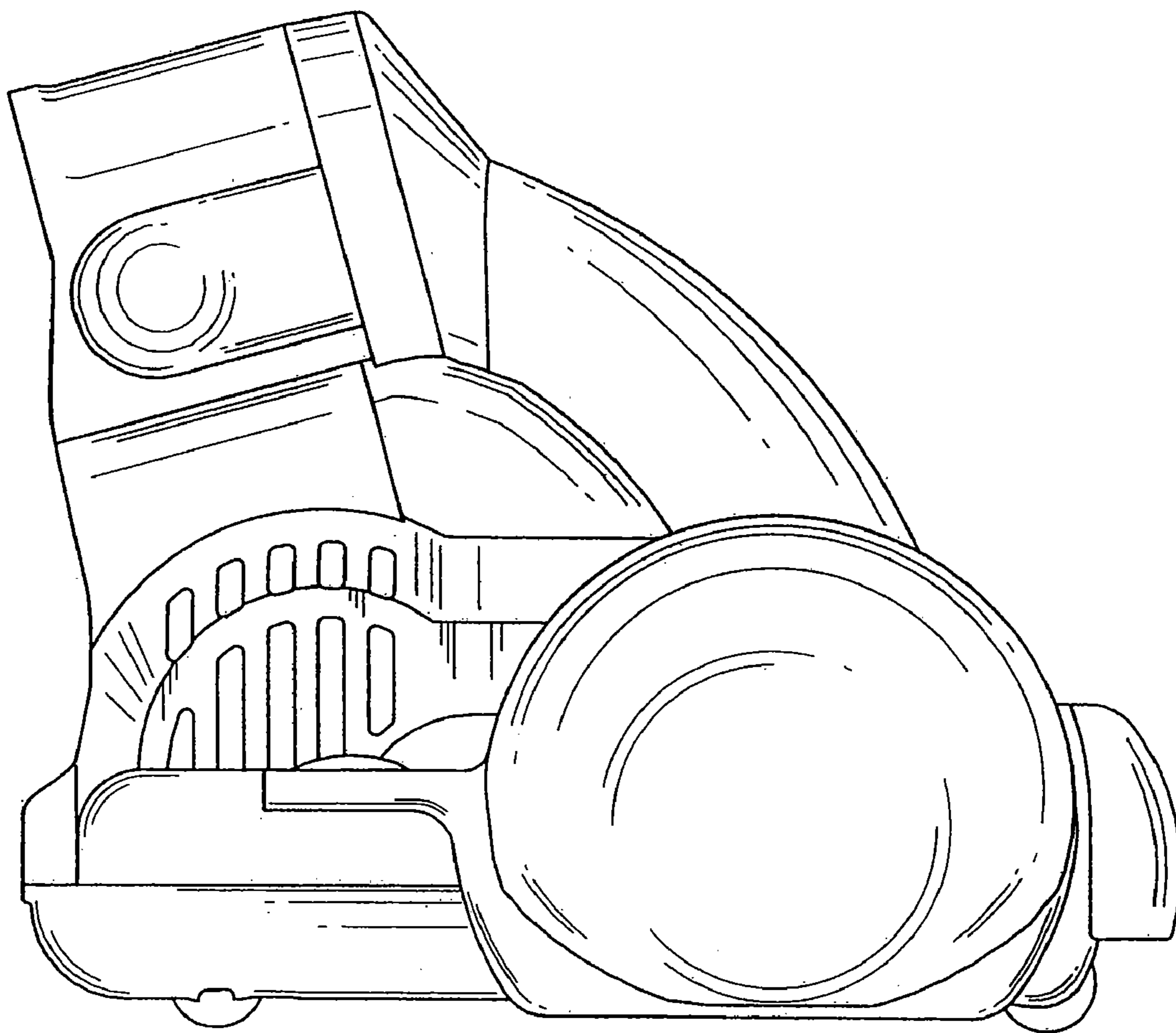


Fig. 5

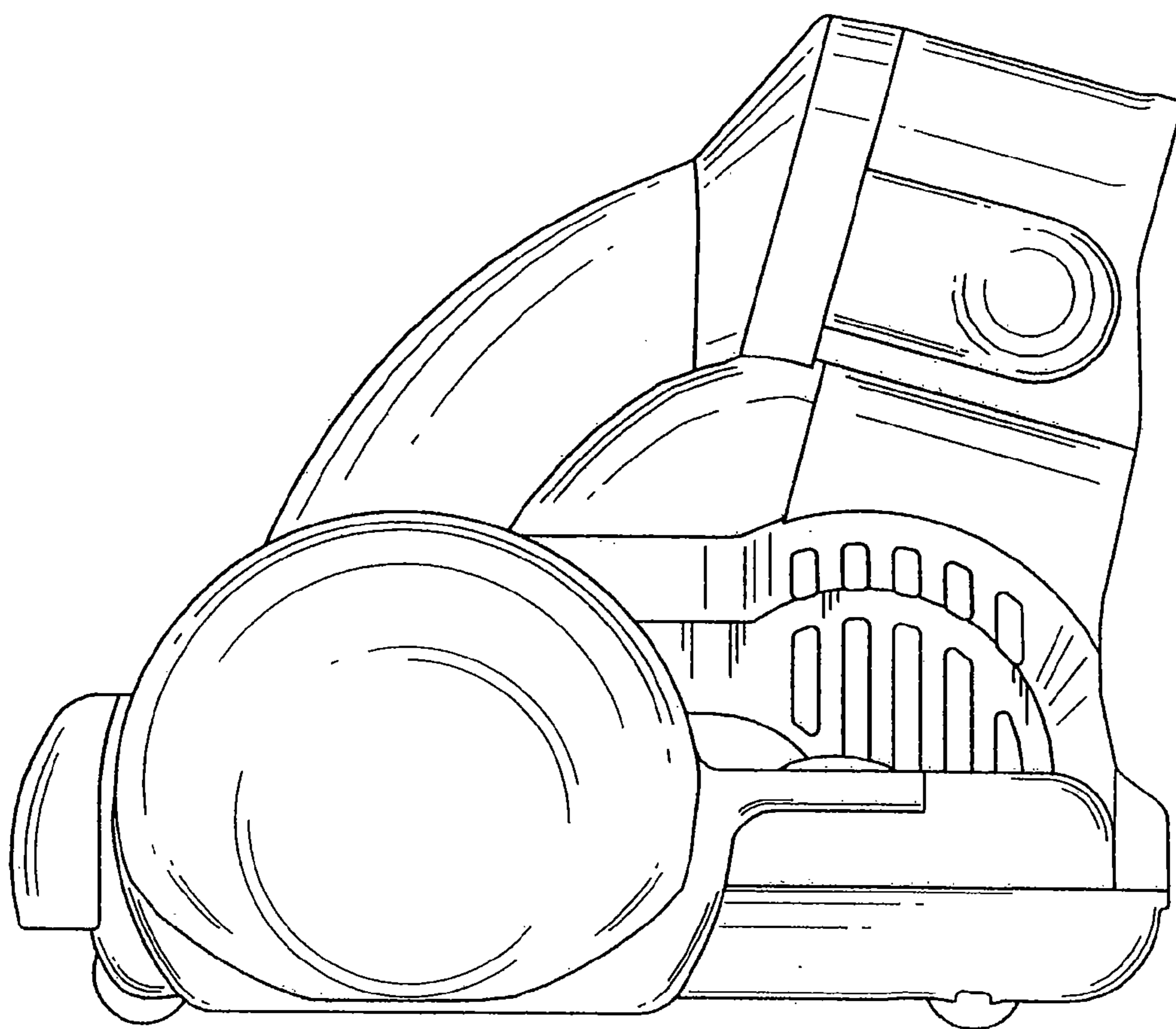


Fig. 6

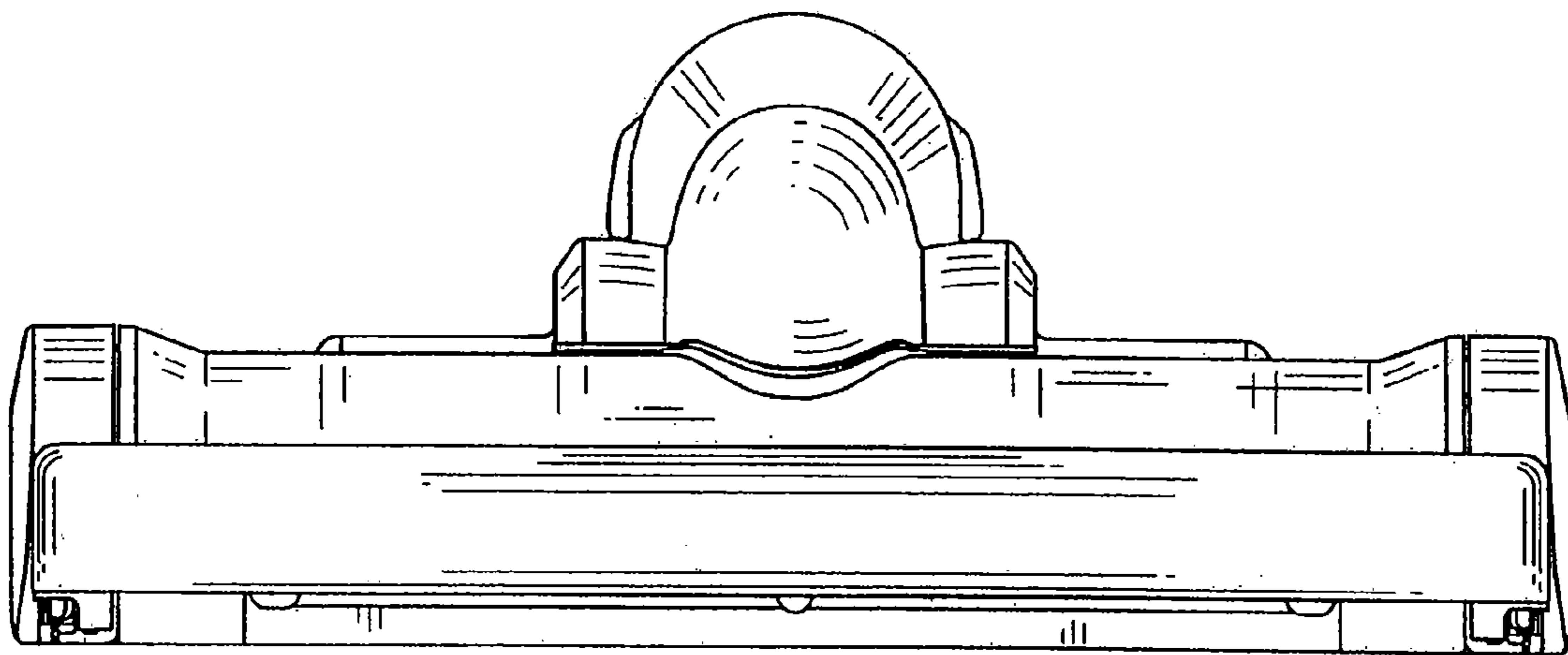


Fig. 7

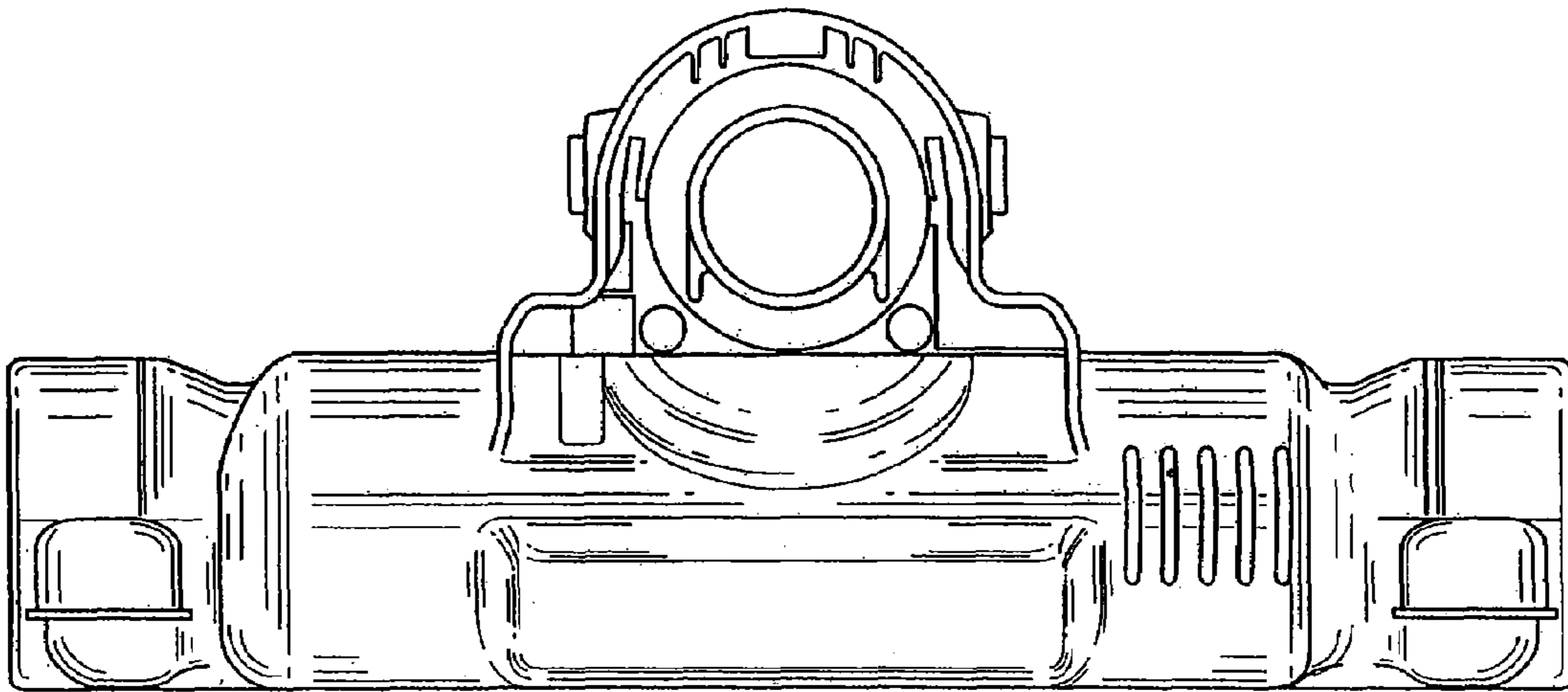


Fig. 8