



US00D567457S

(12) **United States Design Patent**
Wall

(10) **Patent No.:** **US D567,457 S**

(45) **Date of Patent:** **** Apr. 22, 2008**

(54) **HORSE HITCH**

(76) **Inventor:** **John R. Wall**, 440 W. Greene St.,
Carmichaels, PA (US) 28289

(**) **Term:** **14 Years**

(21) **Appl. No.:** **29/257,055**

(22) **Filed:** **Mar. 29, 2006**

(51) **LOC (8) Cl.** **30-04**

(52) **U.S. Cl.** **D30/138**

(58) **Field of Classification Search** D30/138-140,
D30/199; 119/863, 786, 791, 769, 772, 802,
119/777, 780, 788; 24/264, 164, 178, 163 R,
24/530, 598.4, 129 R, 130, 69 ST, 163 K;
D8/401; D11/234, 200; 54/32, 34, 21, 64,
54/19.3; 280/82

See application file for complete search history.

(56) **References Cited**

U.S. PATENT DOCUMENTS

292,561	A *	1/1884	Jones	54/34
488,975	A *	12/1892	Hathorn	54/64
D30,717	S *	5/1899	Smith	D11/234
D35,419	S *	12/1901	Hornback	D30/138
842,459	A *	1/1907	Hellweg	24/130
1,210,433	A *	1/1917	De Forest	54/34
2,043,716	A *	6/1936	Sloan	24/130
2,743,496	A *	5/1956	Looker	24/130
2,987,845	A *	6/1961	Bleiler	43/42.49

D240,012	S *	5/1976	Lingley	D8/401
4,281,439	A *	8/1981	Klein	24/130
6,115,889	A *	9/2000	Mickelson	24/115 R
7,111,588	B2 *	9/2006	Blocker	119/769

* cited by examiner

Primary Examiner—Melanie Tung

Assistant Examiner—Susan Moon Lee

(74) *Attorney, Agent, or Firm*—The Webb Law Firm

(57) **CLAIM**

The ornamental design for a horse hitch, as shown and described herein.

DESCRIPTION

FIG. 1 is a perspective view of the horse hitch showing the new design;

FIG. 2 is a front elevational view of the design shown in FIG. 1;

FIG. 3 is a rear elevational view of the design shown in FIG. 1;

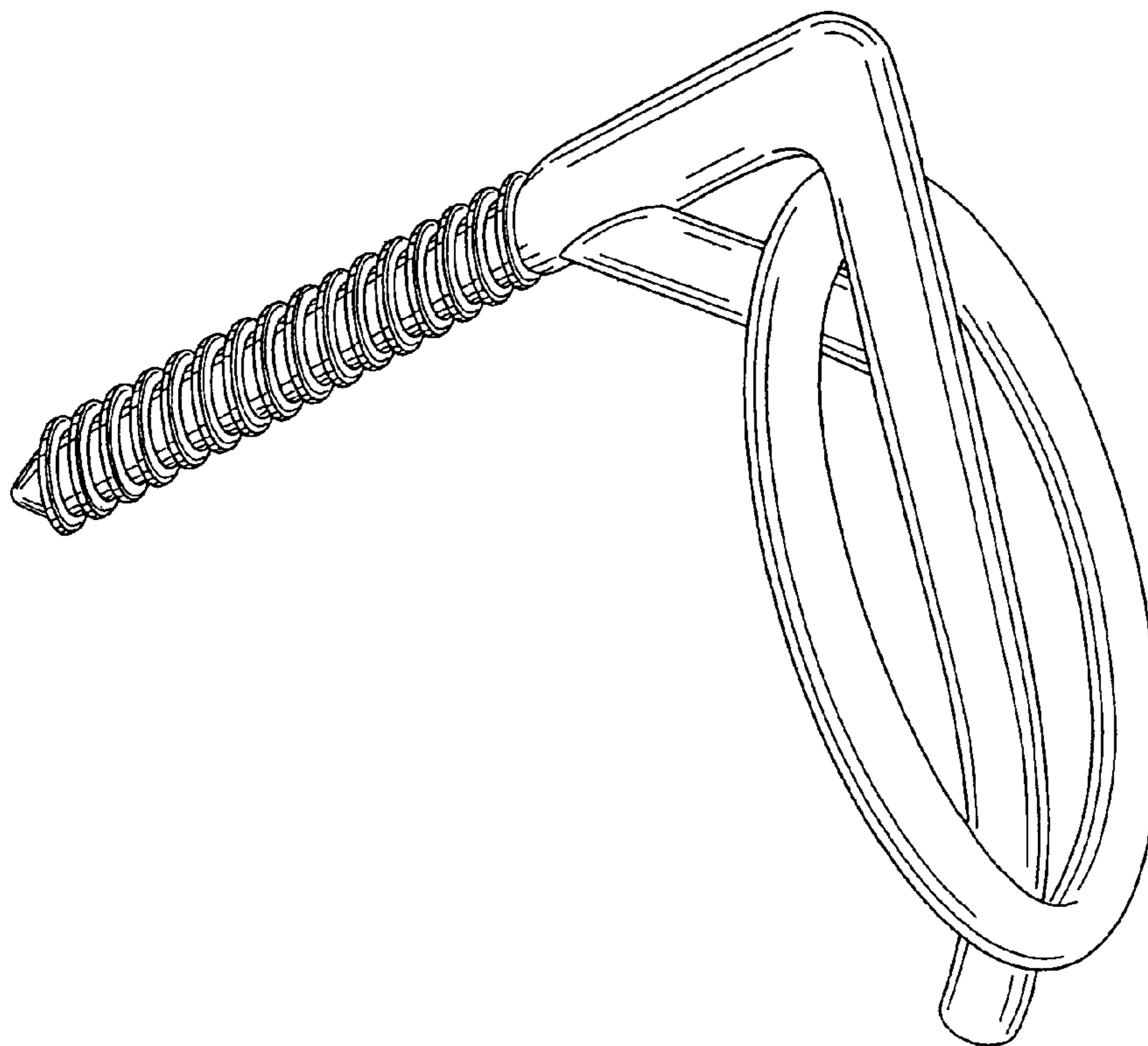
FIG. 4 is a top plan view of the design shown in FIG. 1;

FIG. 5 is a bottom plan view of the design shown in FIG. 1;

FIG. 6 is a left end elevational view of the design shown in FIG. 1; and,

FIG. 7 is a right end elevational view of the design shown in FIG. 1.

1 Claim, 4 Drawing Sheets



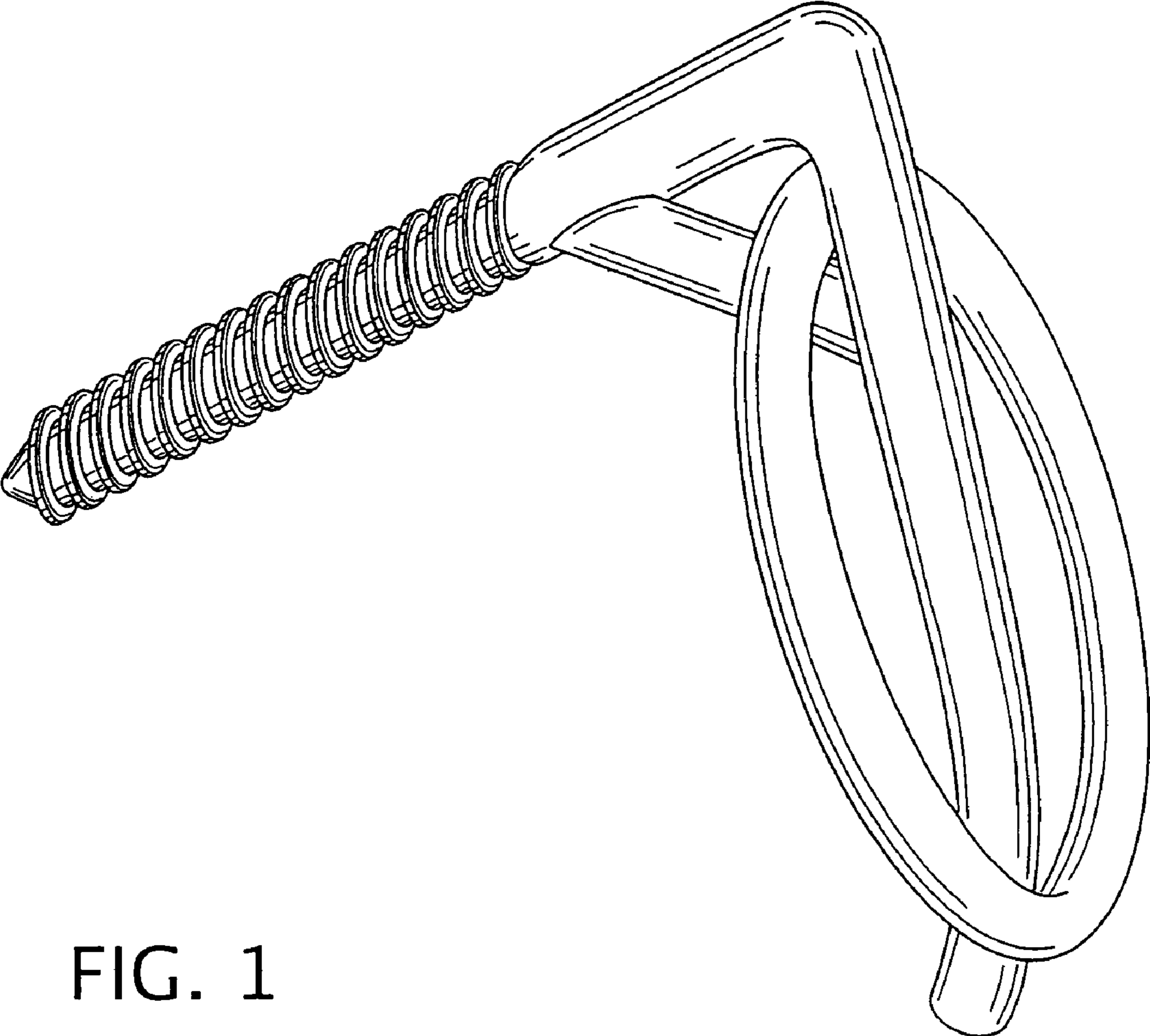


FIG. 1

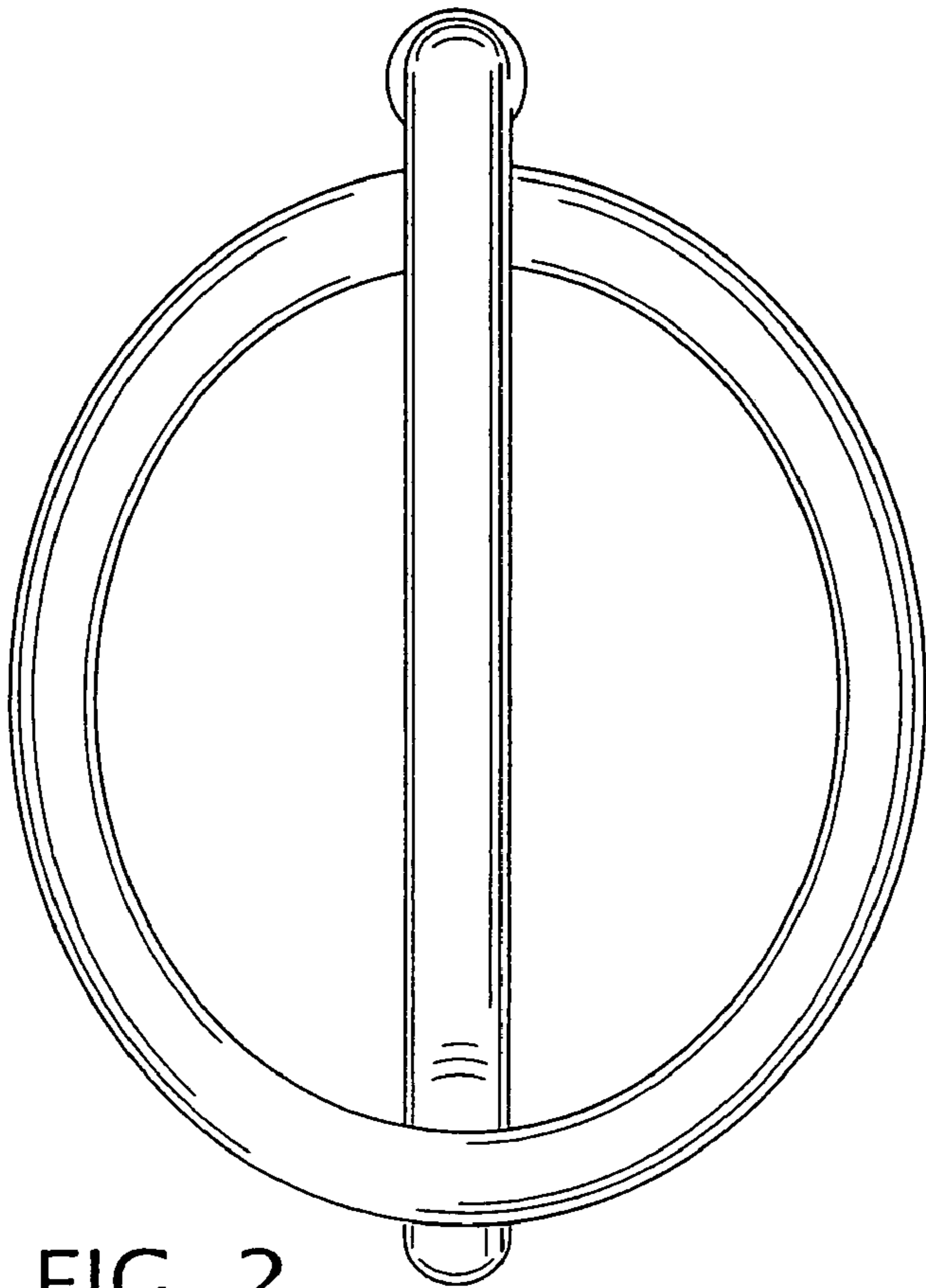


FIG. 2

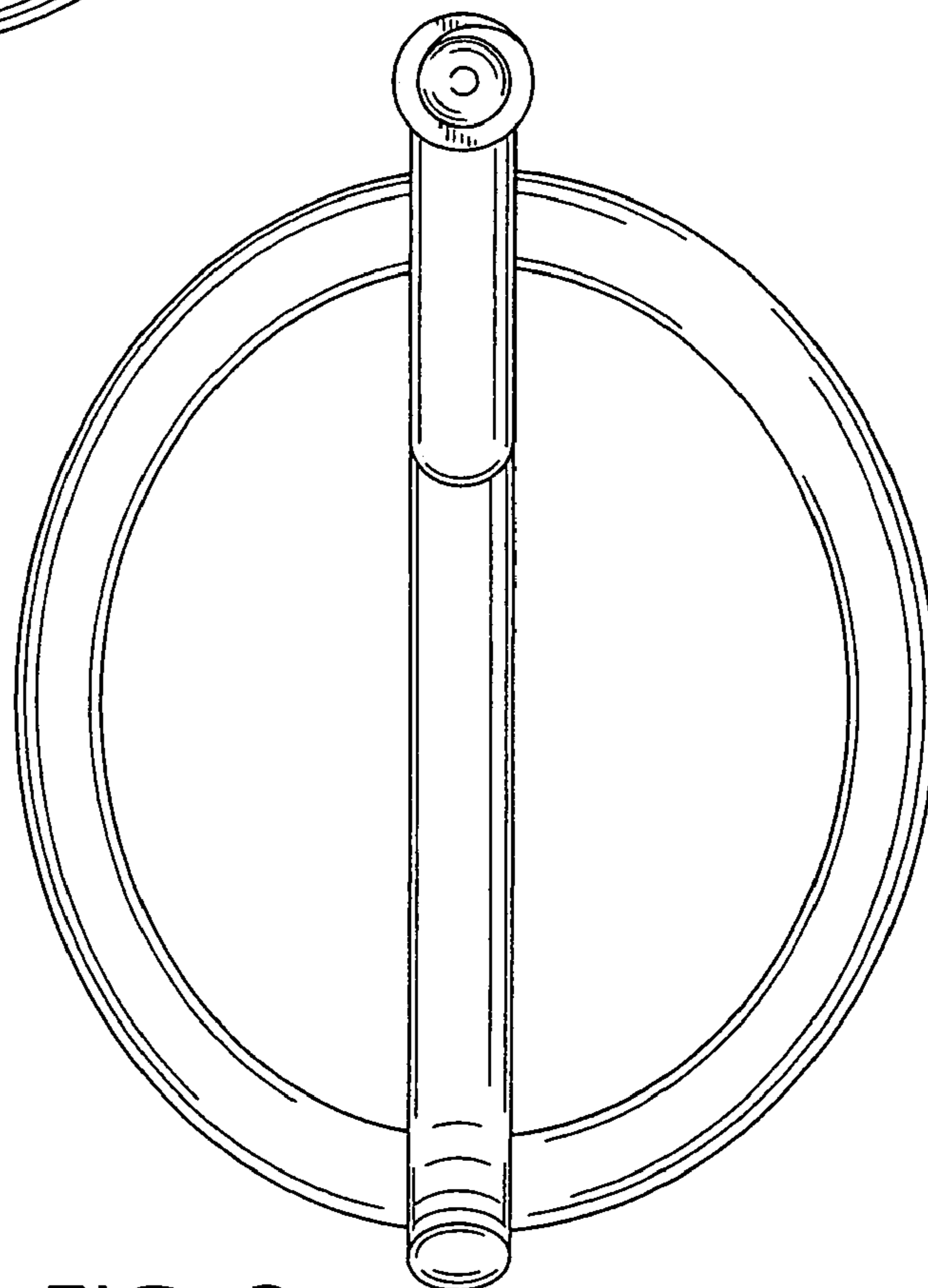


FIG. 3

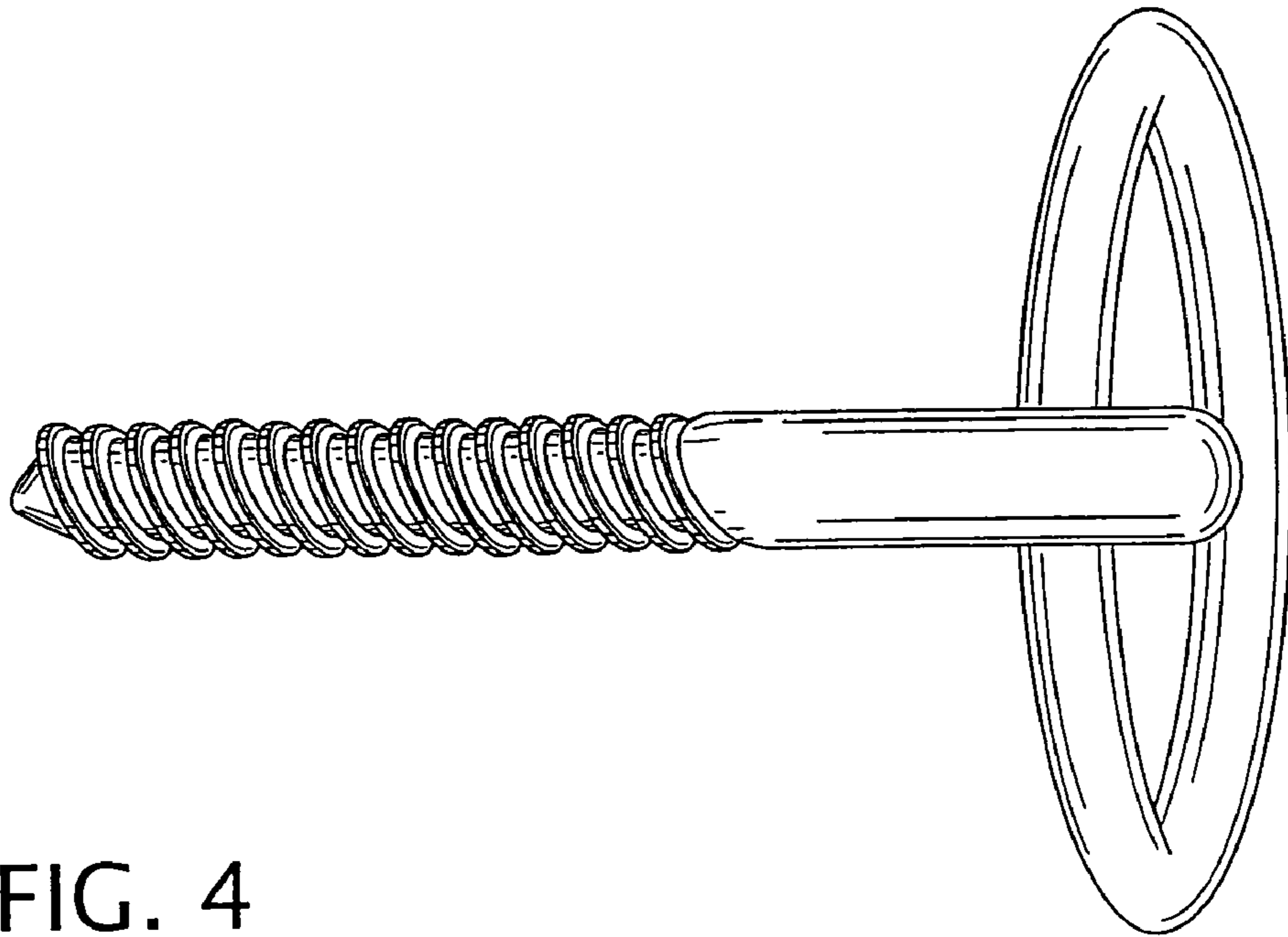


FIG. 4

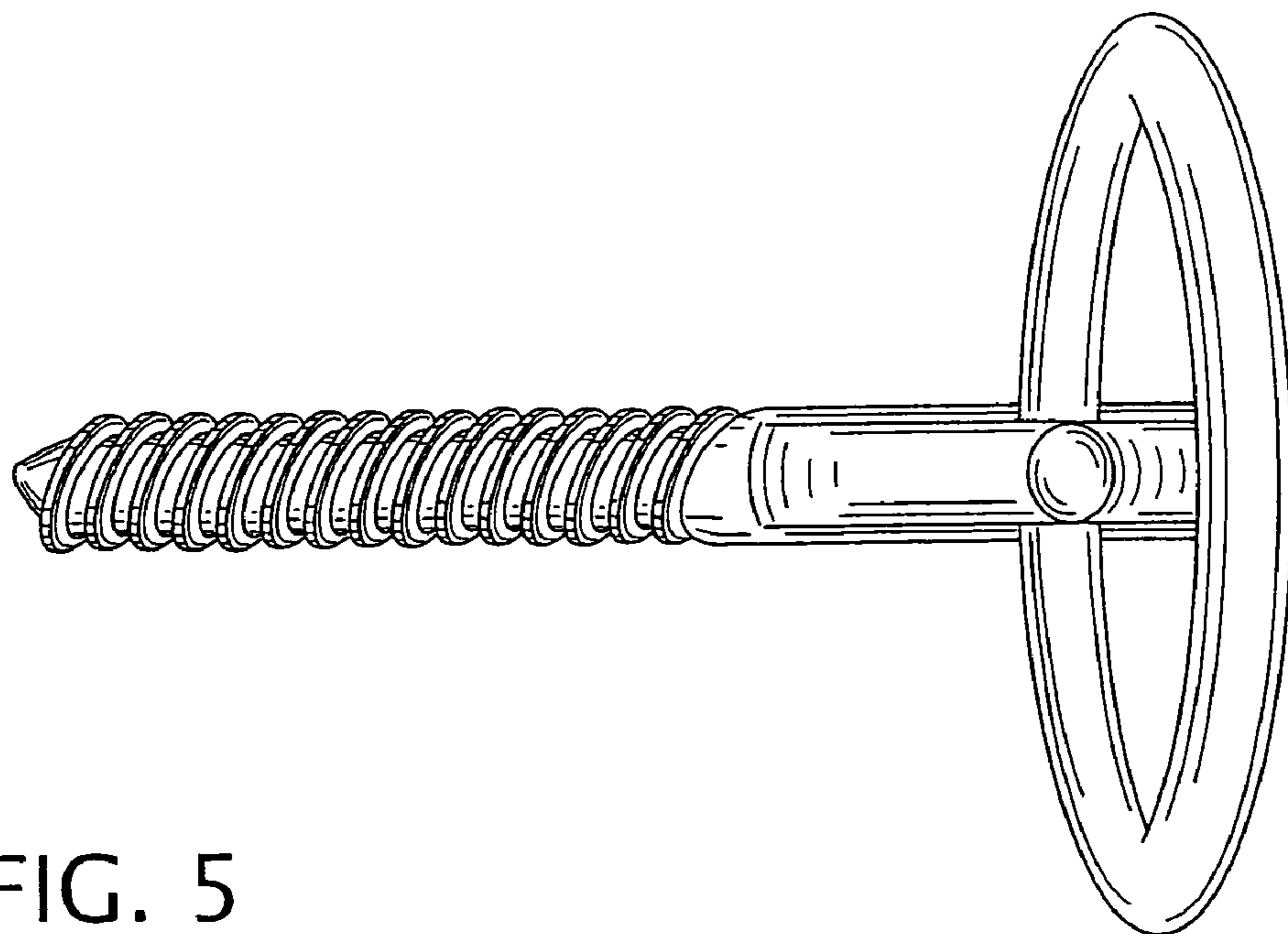


FIG. 5

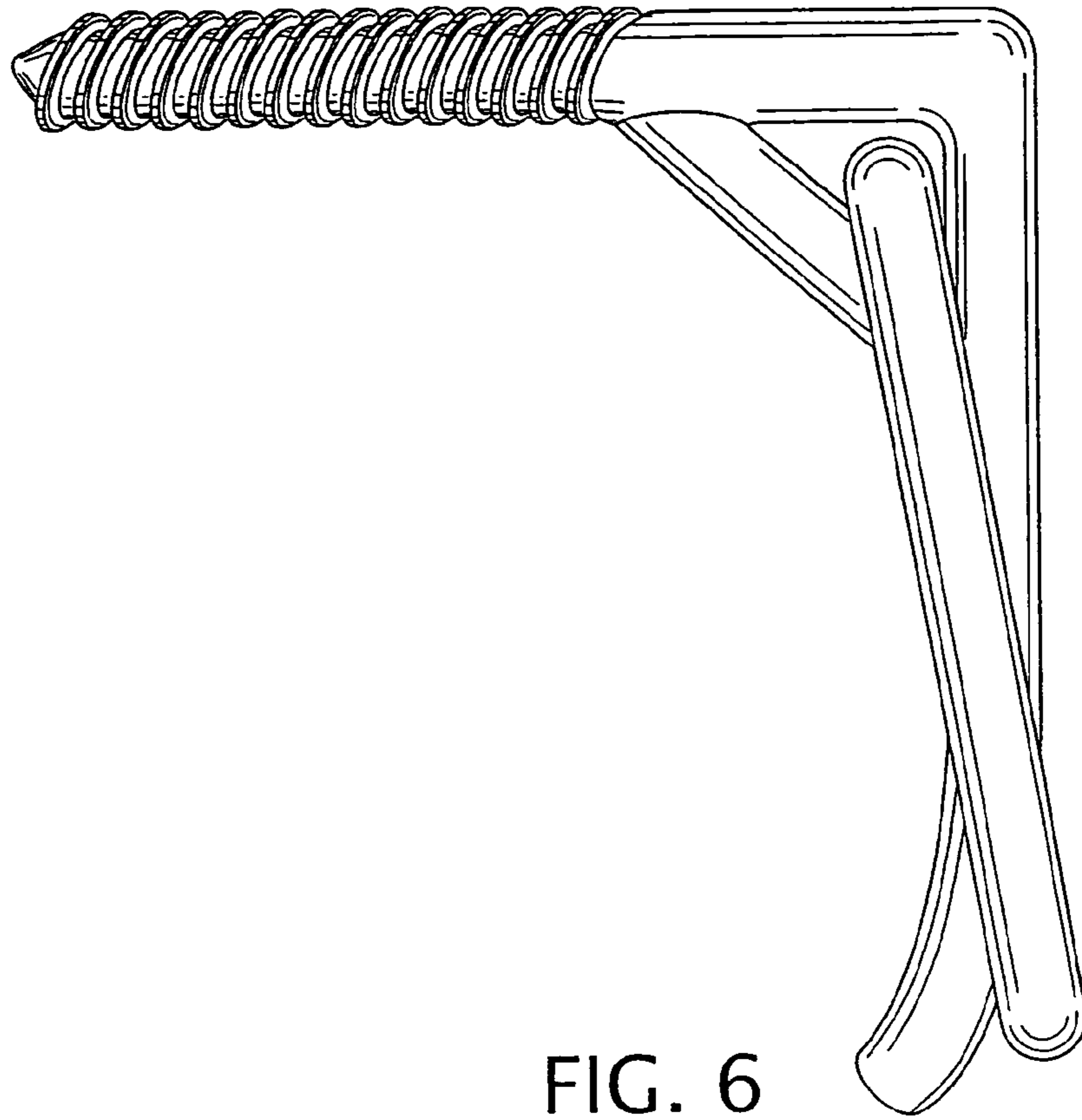


FIG. 6

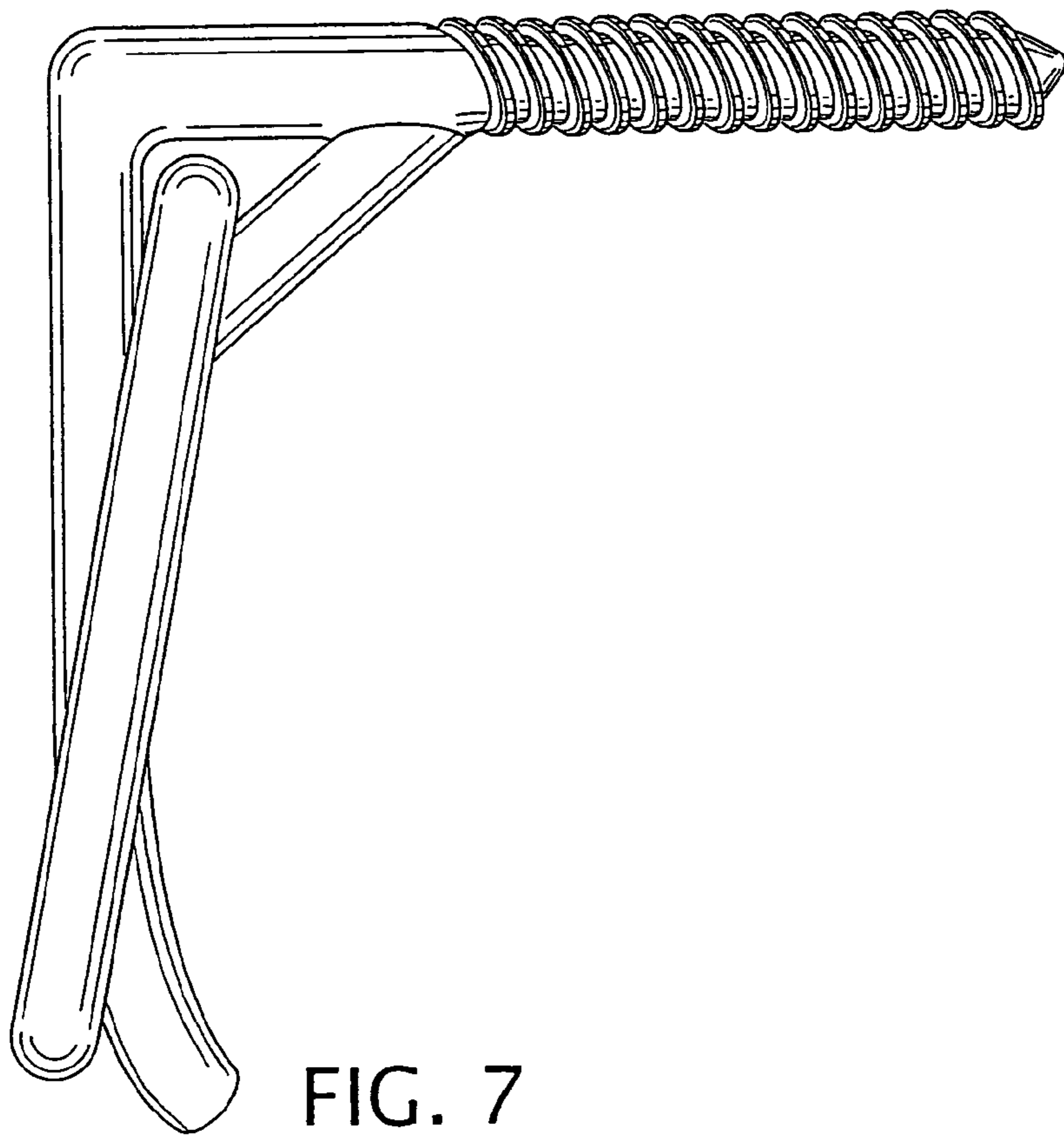


FIG. 7