

US00D567455S

(12) **United States Design Patent**
Rogers et al.

(10) **Patent No.:** **US D567,455 S**

(45) **Date of Patent:** **** Apr. 22, 2008**

(54) **HELMET**

(75) Inventors: **David Rogers**, Boston, MA (US);
Charles H. Rogers, Halifax, MA (US);
Peter Stokes, Boston, MA (US)

(73) Assignee: **Sport Maska Inc.** (CA)

(**) Term: **14 Years**

(21) Appl. No.: **29/252,010**

(22) Filed: **Jan. 17, 2006**

(51) **LOC (8) Cl.** **29-02**

(52) **U.S. Cl.** **D29/122**

(58) **Field of Classification Search** D29/102,
D29/104-107, 122; 2/410-411, 414-421,
2/423-425

See application file for complete search history.

(56) **References Cited**

U.S. PATENT DOCUMENTS

| | | | | |
|----------------|---------|-----------------|-------|---------|
| D401,018 S * | 11/1998 | Chartrand | | D29/106 |
| D412,766 S * | 8/1999 | Tang | | D29/106 |
| D498,334 S * | 11/2004 | Durocher et al. | | D29/106 |
| 6,981,284 B2 * | 1/2006 | Durocher | | 2/425 |
| D529,233 S * | 9/2006 | Schneider | | D29/102 |

2002/0035748 A1* 3/2002 Racine 2/414

* cited by examiner

Primary Examiner—Ruth McInroy

(74) *Attorney, Agent, or Firm*—SAIDMAN DesignLaw Group

(57) **CLAIM**

The ornamental design for a helmet, as shown and described.

DESCRIPTION

FIG. 1 is a perspective view of a helmet showing my new design invention;

FIG. 2 is a front elevation view thereof;

FIG. 3 is a rear elevation view thereof;

FIG. 4 is a top plan view thereof;

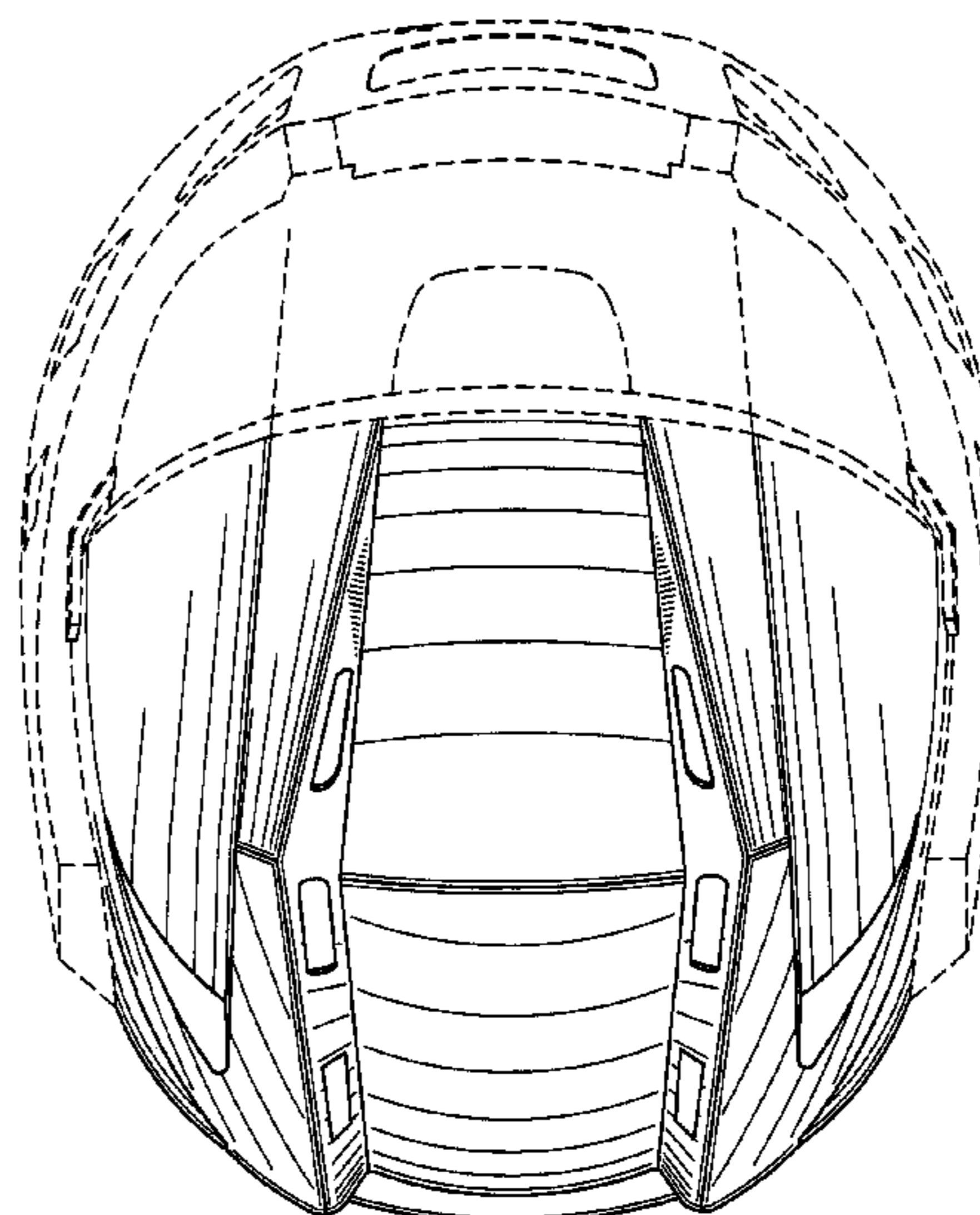
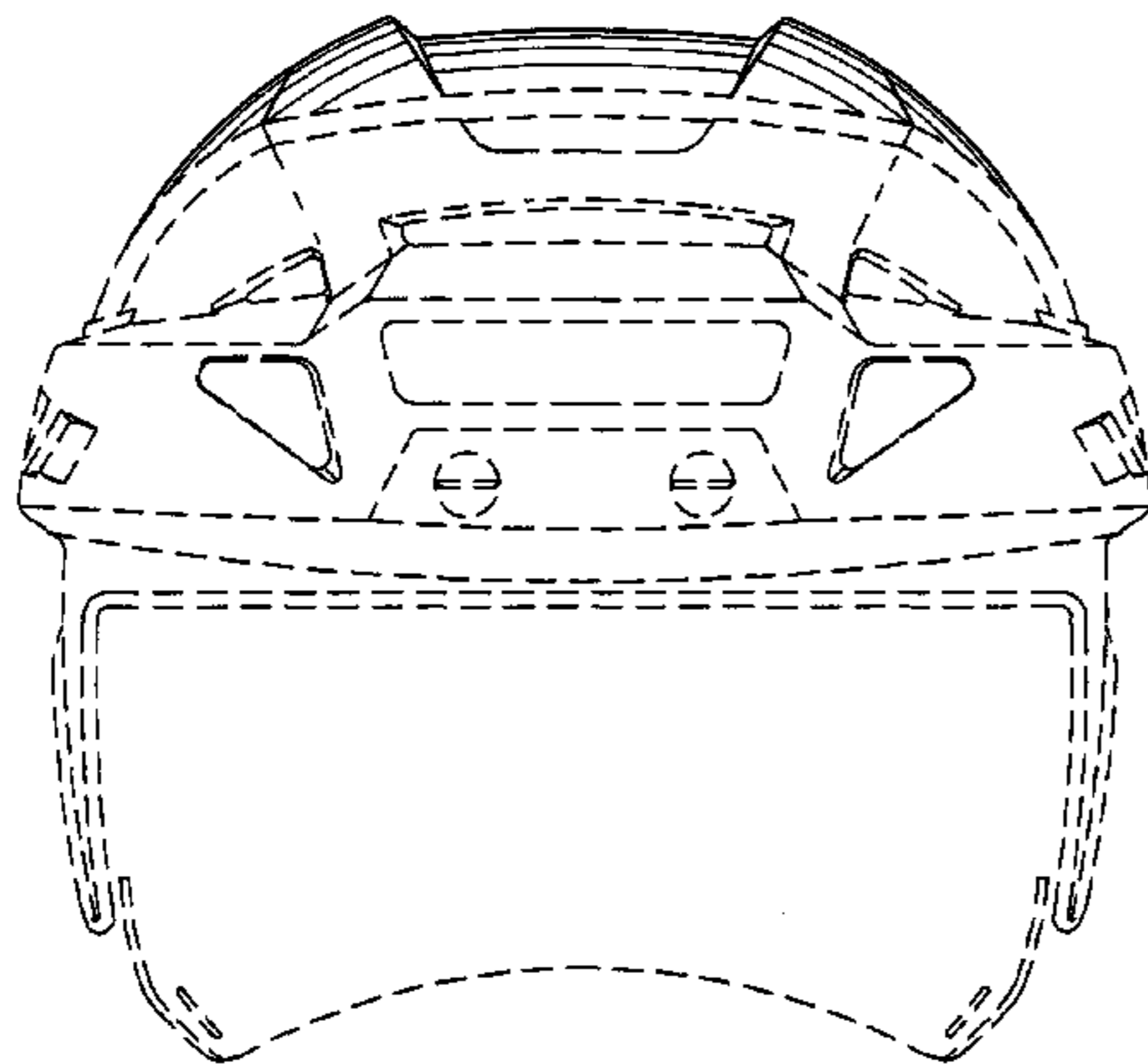
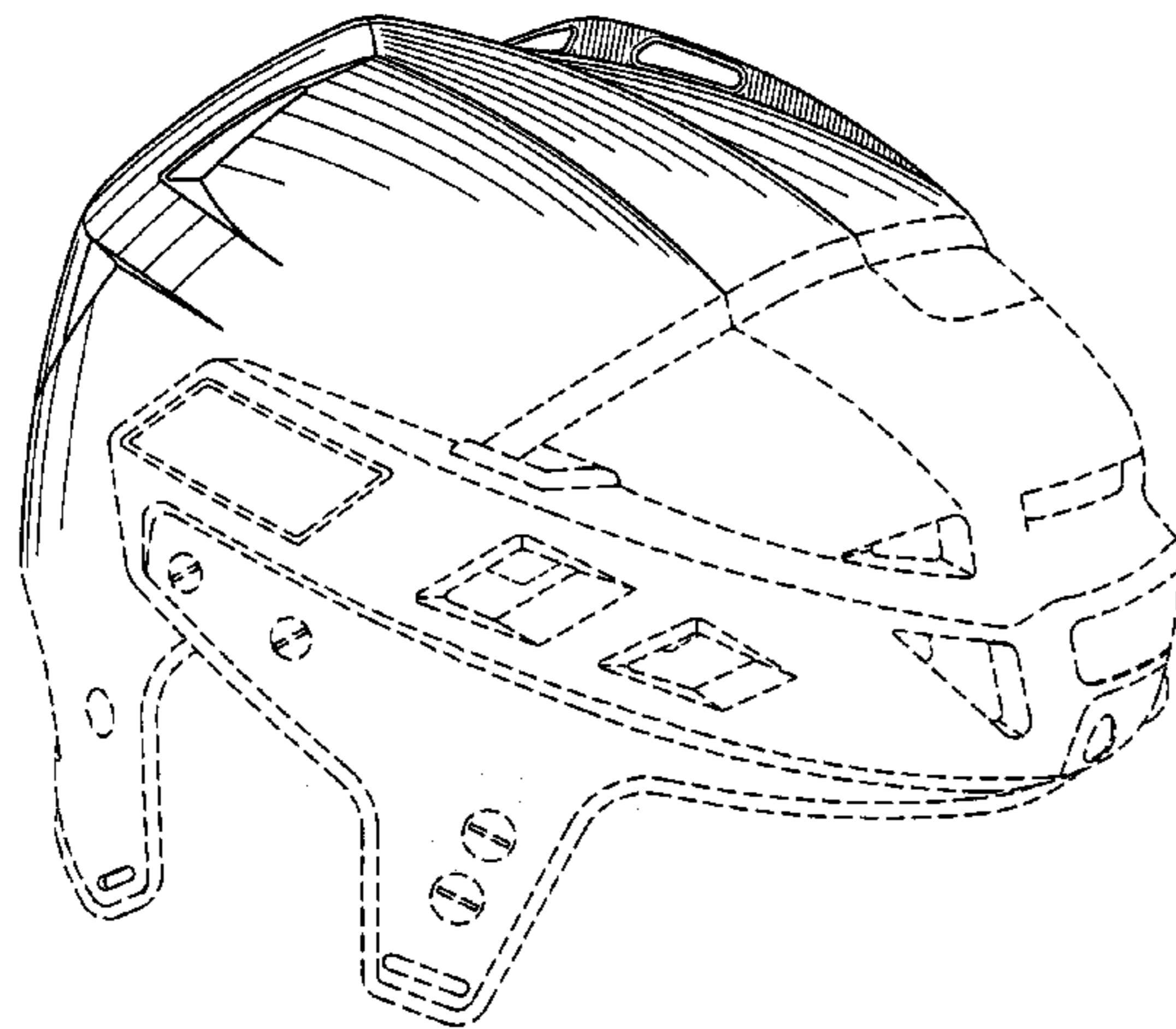
FIG. 5 is a bottom plan view thereof; and,

FIG. 6 is a left side elevation view thereof.

The right side elevation view is a mirror image of the rear side elevation view.

The details shown in broken lines form no part of the claimed design.

1 Claim, 6 Drawing Sheets



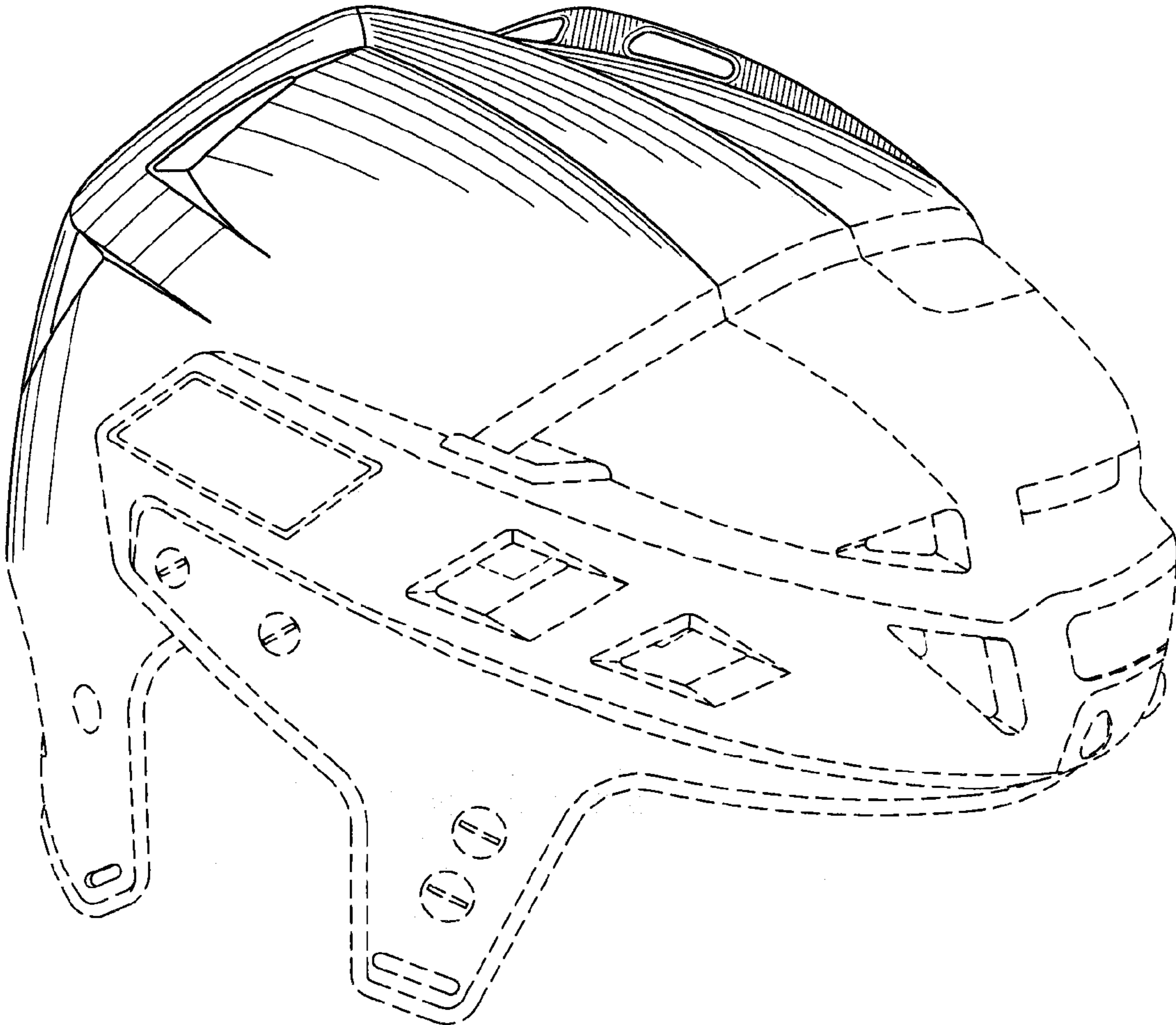


Fig. 1

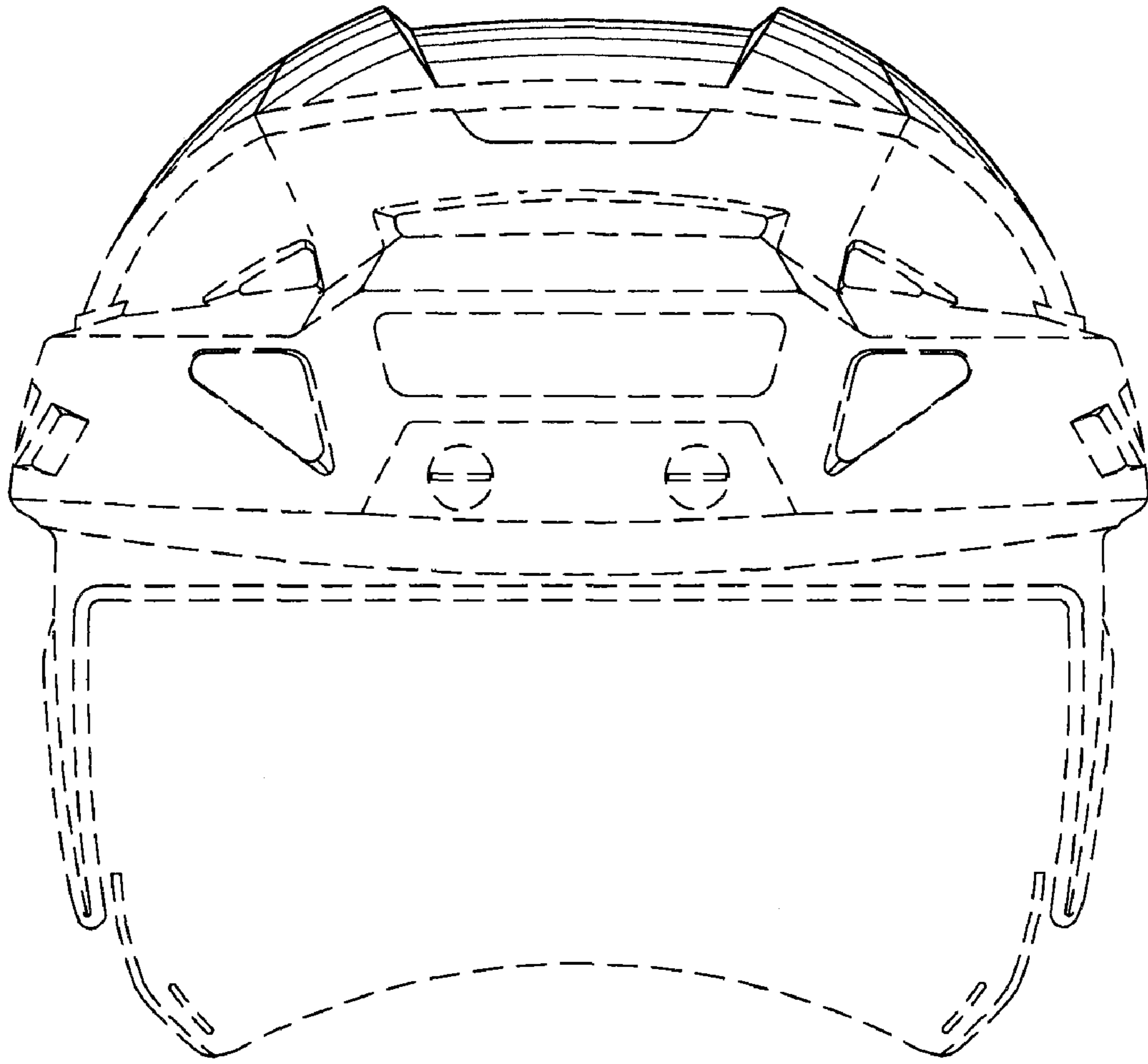


Fig. 2

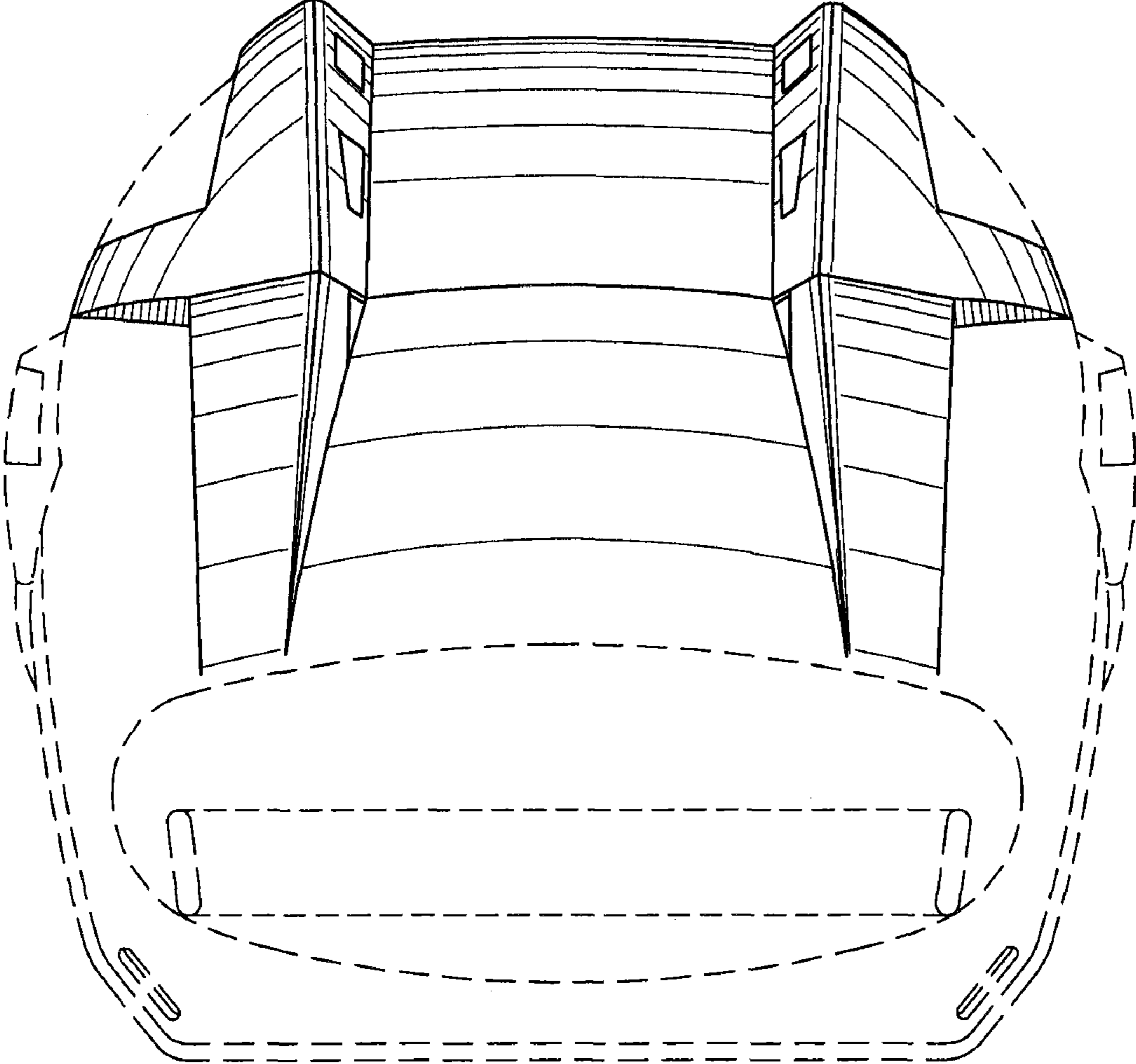


Fig. 3

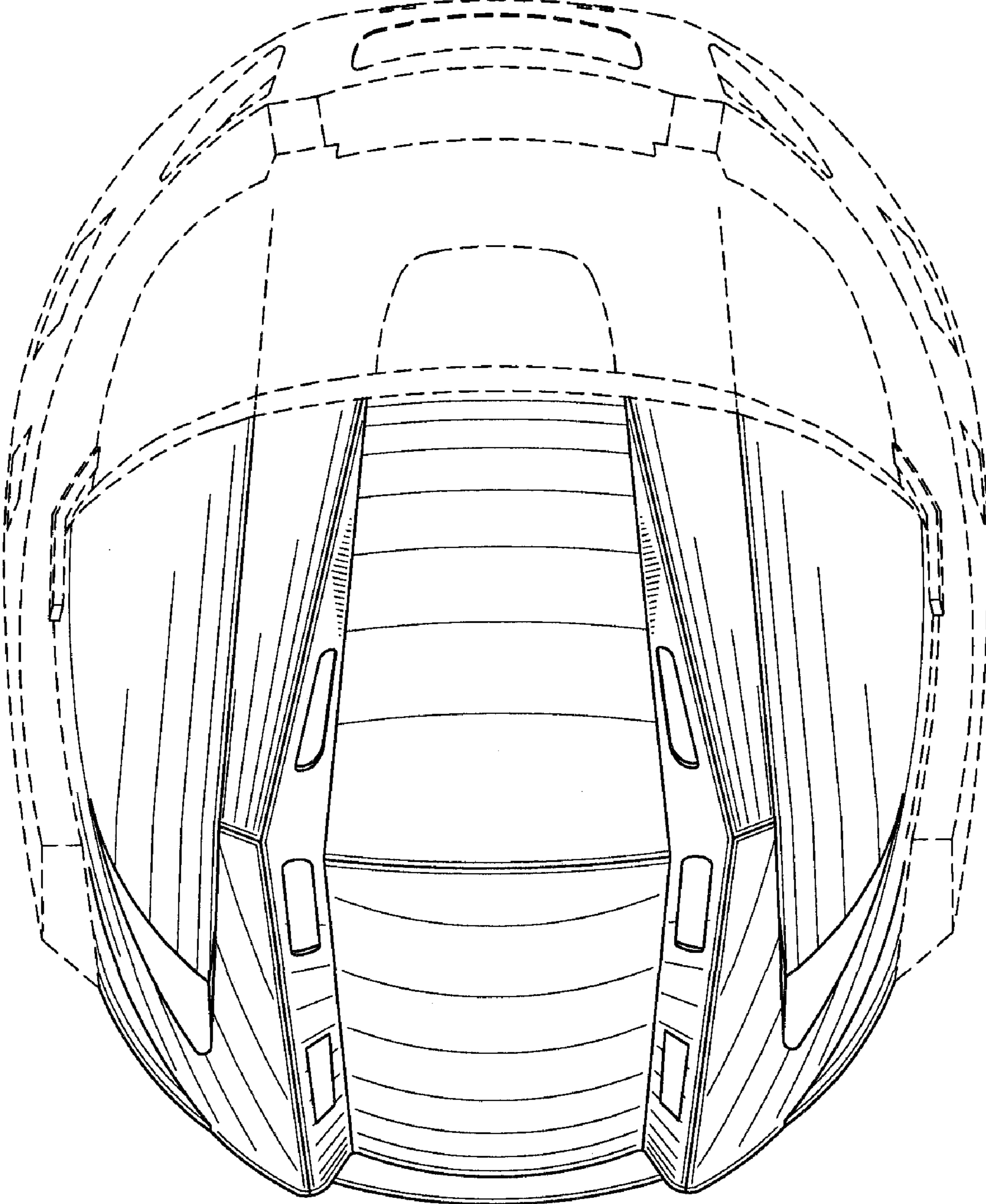


Fig. 4

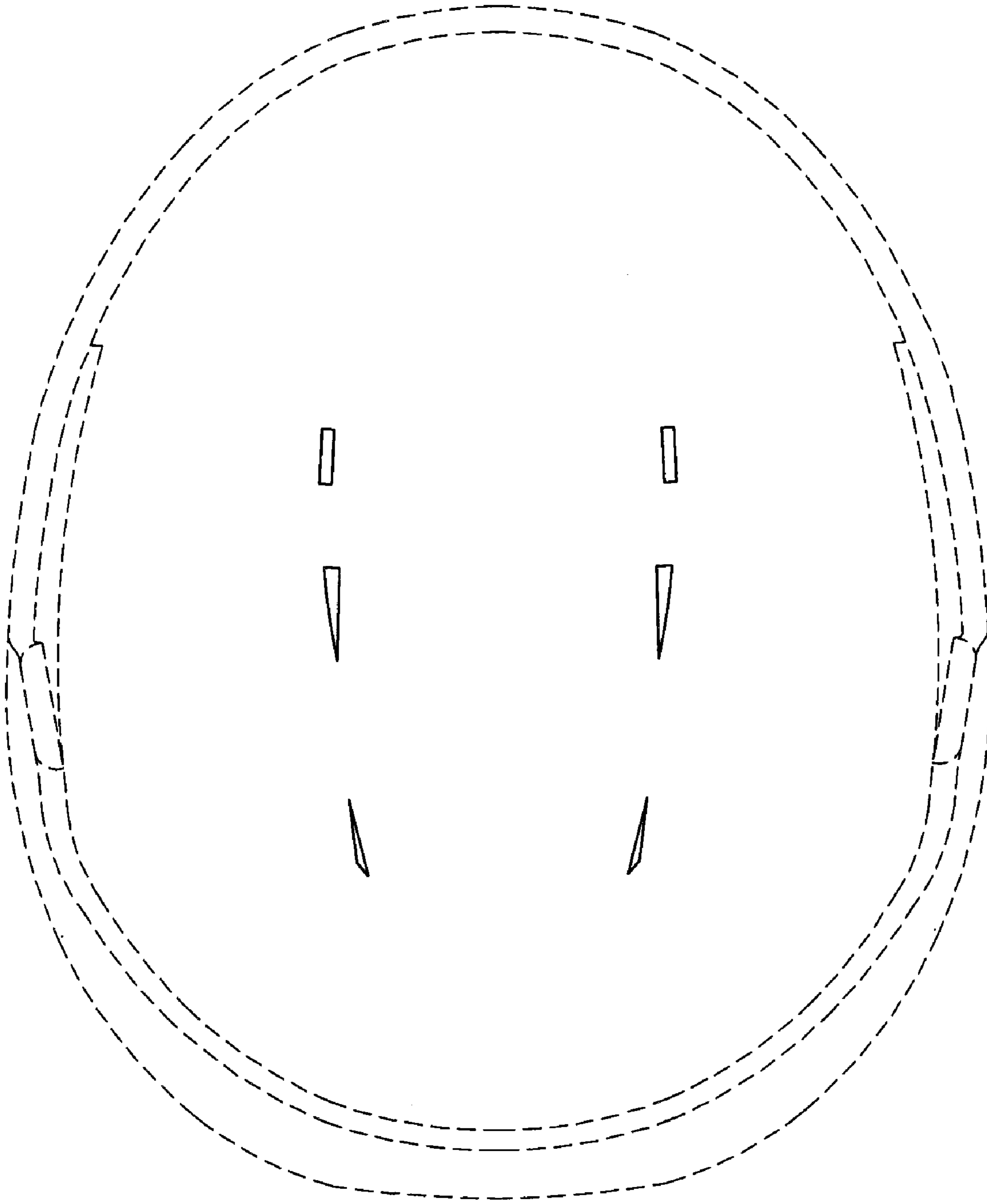


Fig. 5

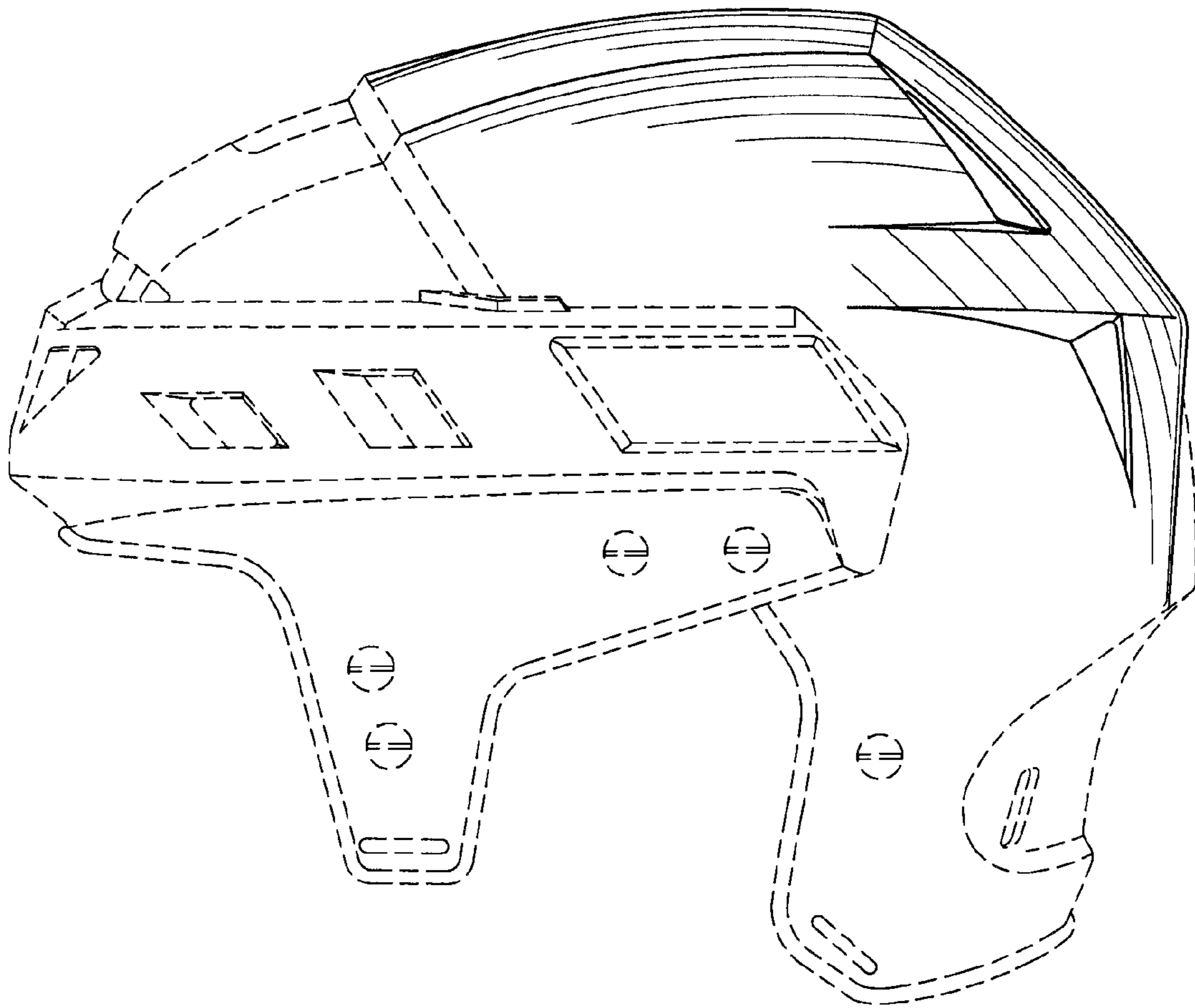


Fig. 6