



US00D567442S

(12) **United States Design Patent**
McMullan

(10) **Patent No.:** **US D567,442 S**

(45) **Date of Patent:** **** Apr. 22, 2008**

(54) **SHAVING PRODUCT DISPENSING RAZOR**

(76) **Inventor:** **Richard J. McMullan**, 32 Coburn Drive, Trandragee (GB) BT62 2AJ

(**) **Term:** **14 Years**

(21) **Appl. No.:** **29/280,519**

(22) **Filed:** **May 30, 2007**

(51) **LOC (8) Cl.** **28-03**

(52) **U.S. Cl.** **D28/46**

(58) **Field of Classification Search** 30/30,
30/32, 34.05, 34.1, 34.2, 41-41.9, 44, 45,
30/47-51, 57, 58, 526, 527, 532, 533, 537-540;
D28/44-54

See application file for complete search history.

(56) **References Cited**

U.S. PATENT DOCUMENTS

4,074,428 A	2/1978	Roberts	
4,129,942 A	12/1978	Denizman	
4,377,034 A	3/1983	Druash et al.	
D306,915 S *	3/1990	Luzenberg	D28/46
D310,889 S *	9/1990	Concialdi	D28/45
D344,365 S *	2/1994	Mondo	D28/46
5,287,624 A	2/1994	Mondo et al.	
5,638,601 A	6/1997	Mol et al.	
D386,820 S	11/1997	Morrisette et al.	

5,701,674 A	12/1997	Mitchell	
5,855,066 A	1/1999	Manger	
6,910,274 B1	6/2005	Pennella et al.	
2005/0132574 A1	6/2005	Tomassetti	
2005/0235495 A1 *	10/2005	Aviza et al. 30/34.2

* cited by examiner

Primary Examiner—Jennifer Rivard

(57) **CLAIM**

The ornamental design for a shaving product dispensing razor, as shown and described.

DESCRIPTION

FIG. 1 is a bottom plan view of a shaving product dispensing razor with an end cap removed for clarity showing my new design;

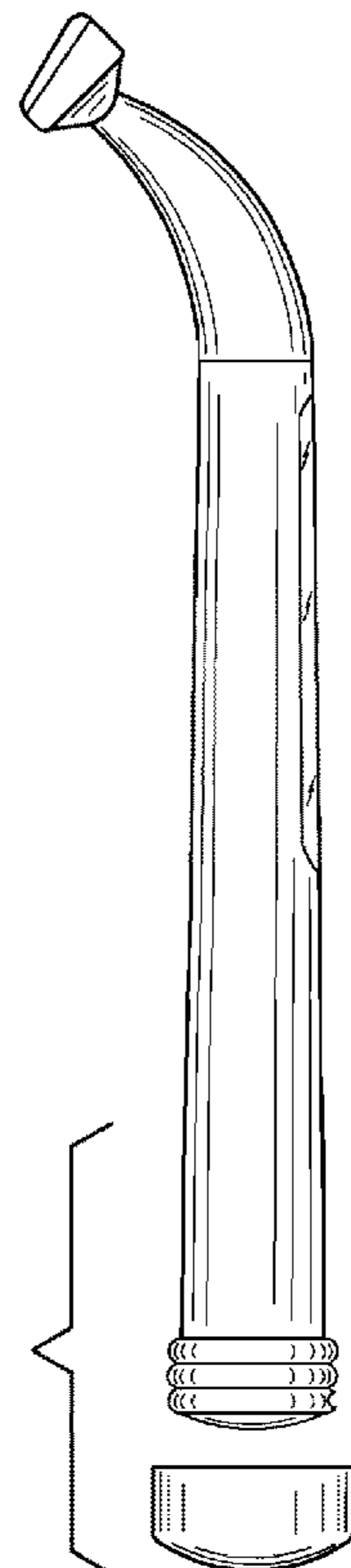
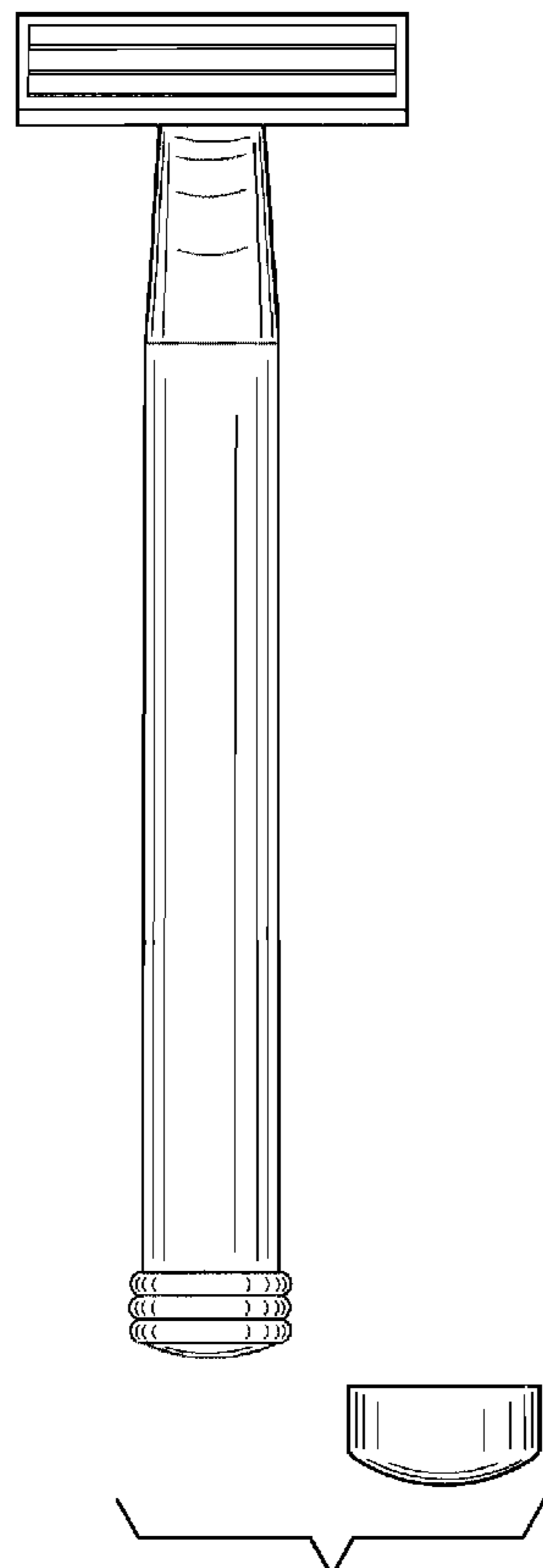
FIG. 2 is a top plan view with an end cap removed for clarity;

FIG. 3 is a right elevation view with an end cap removed for clarity;

FIG. 4 is a front elevation view with an end cap removed for clarity; and,

FIG. 5 is a rear elevation view of a shaving product dispensing razor with an end cap removed for clarity.

1 Claim, 2 Drawing Sheets



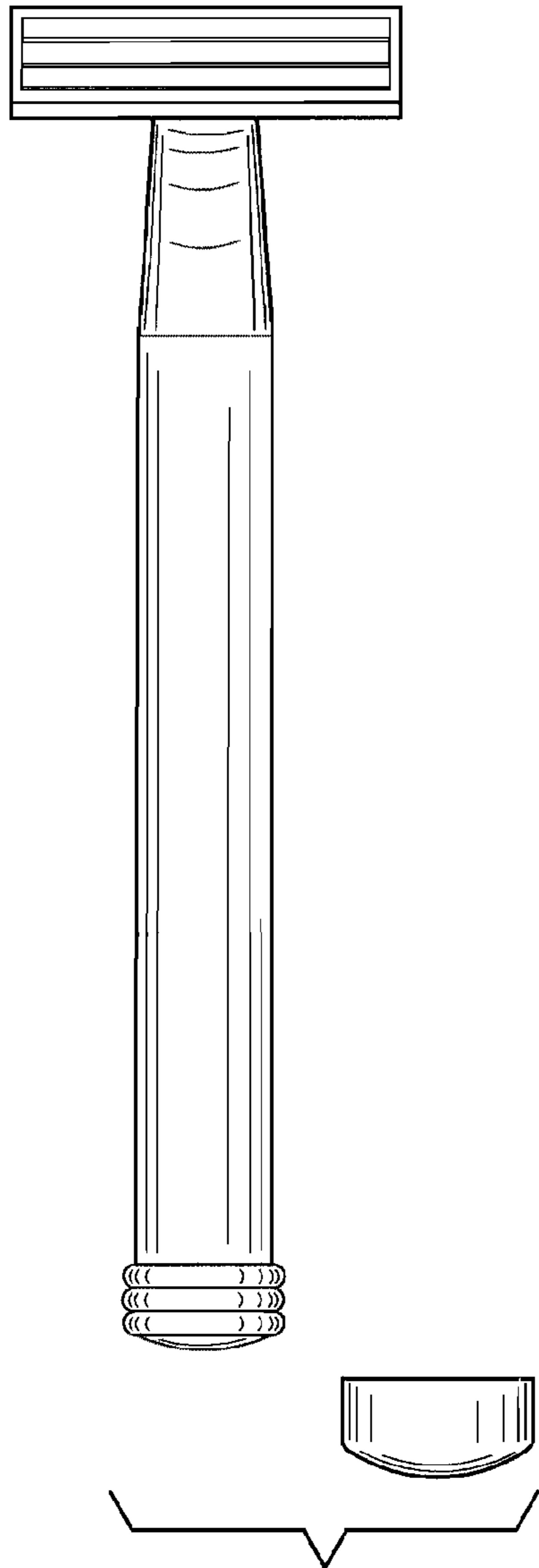


FIG. 1

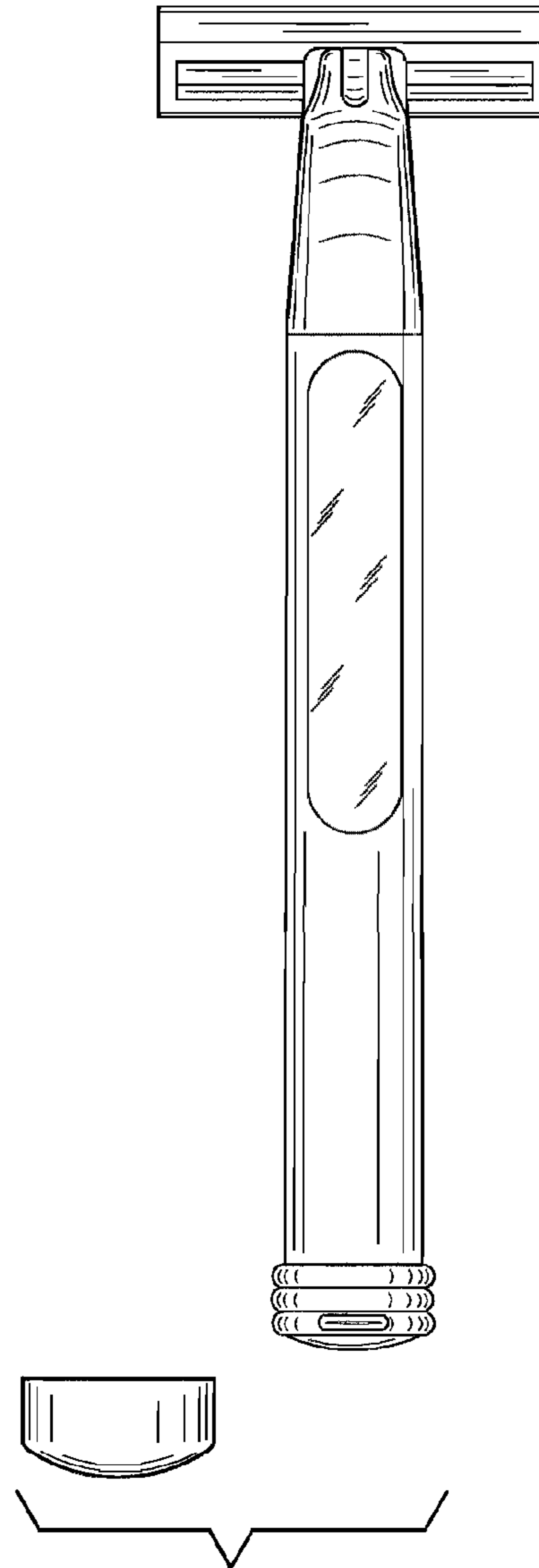


FIG. 2

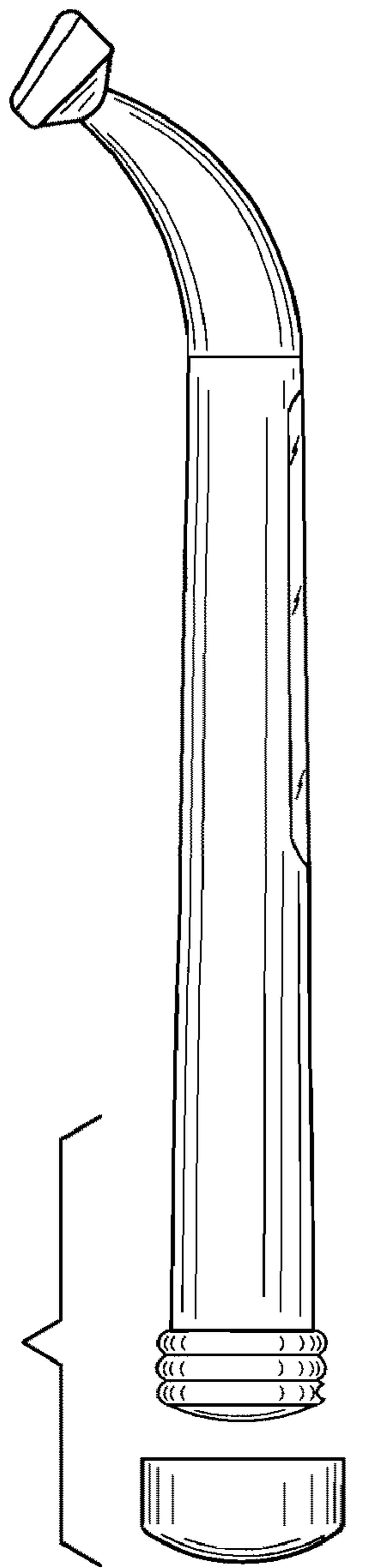


FIG. 3

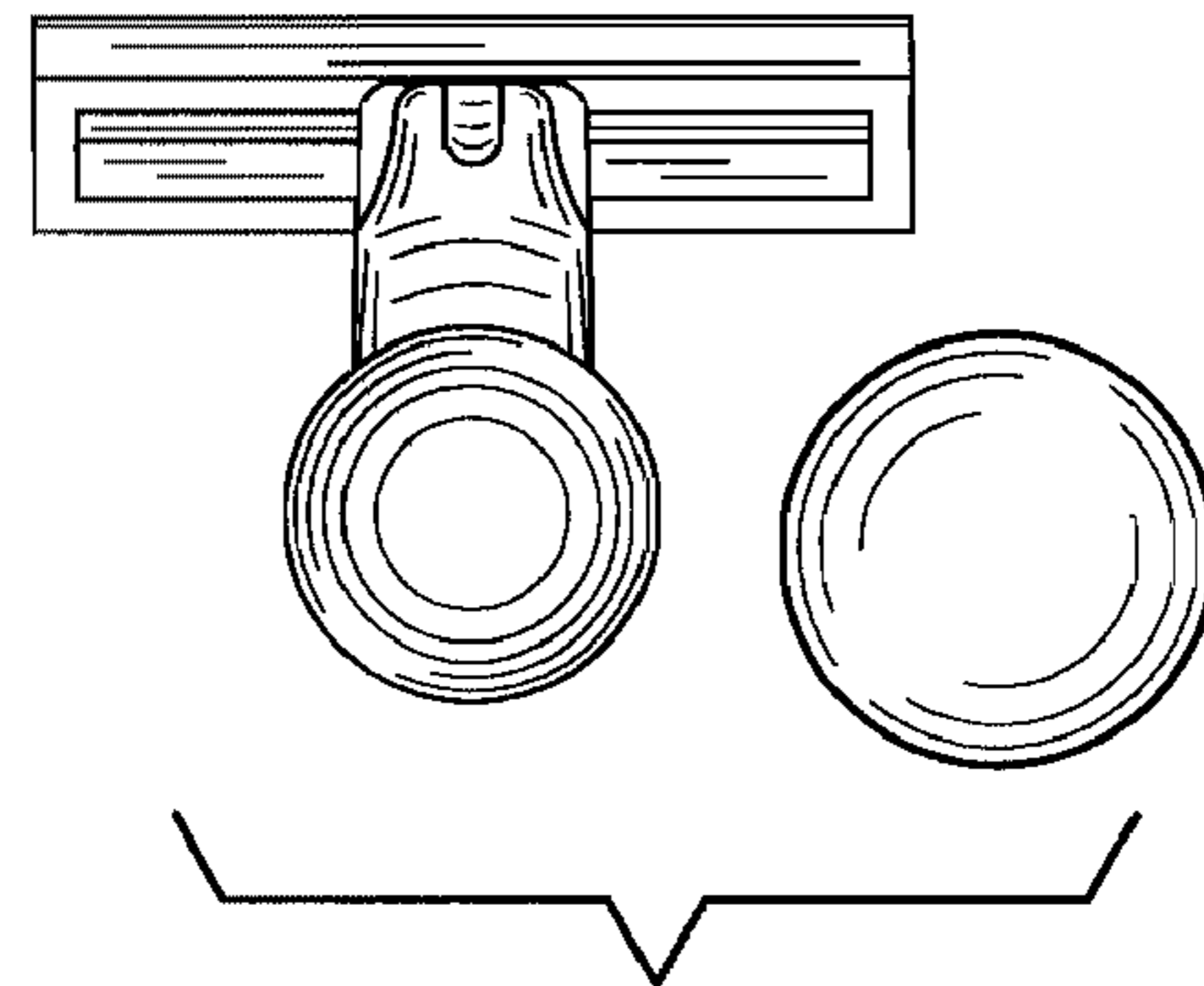
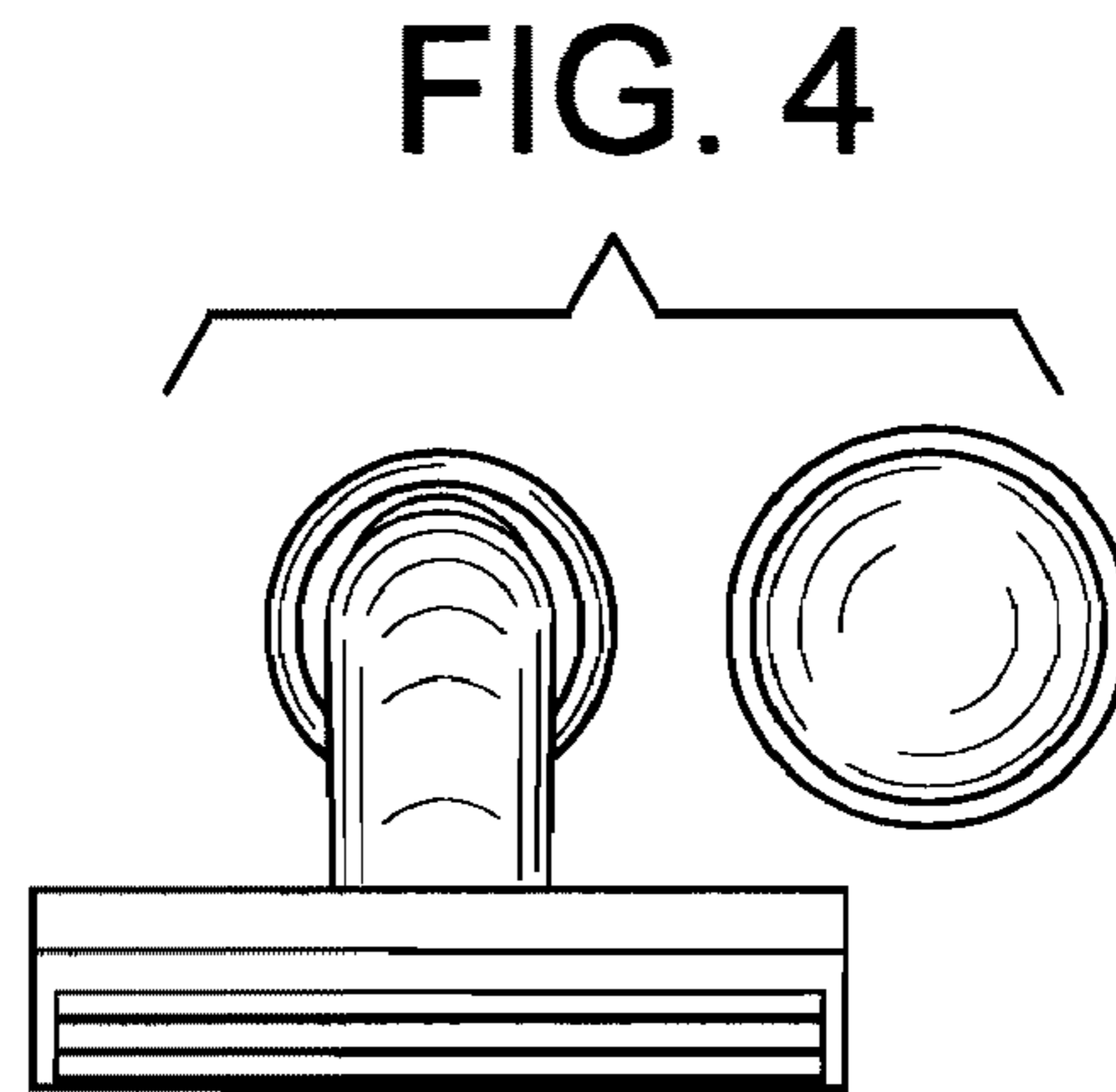


FIG. 5