



US00D567441S

(12) **United States Design Patent**
Kling

(10) **Patent No.:** **US D567,441 S**
(45) **Date of Patent:** **** Apr. 22, 2008**

(54) **EPILATOR**

D530,449 S 10/2006 Kling

(75) Inventor: **Björn Kling**, Glashutten (DE)

FOREIGN PATENT DOCUMENTS

(73) Assignee: **Braun GmbH**, Kronberg (DE)

WO	DM/047138	3/1999
WO	DM/051915	7/1999
WO	DM/057430	1/2001
WO	DM/058717	3/2001
WO	DM/067486	2/2006

(**) Term: **14 Years**

* cited by examiner

(21) Appl. No.: **29/288,541**

(22) Filed: **Jun. 14, 2007**

Primary Examiner—Jennifer Rivard

(30) **Foreign Application Priority Data**

(74) *Attorney, Agent, or Firm*—Fish & Richardson P.C.

Dec. 15, 2006 (DE) 40606 345

(57) **CLAIM**

(51) **LOC (8) Cl.** **28-03**

The ornamental design for an epilator, as shown and described.

(52) **U.S. Cl.** **D28/44.1**

(58) **Field of Classification Search** D28/44,
D28/44.1; D24/133, 147; 606/131, 133;
30/43–43.92

DESCRIPTION

See application file for complete search history.

FIG. 1 is a perspective view of an epilator from above, showing my new design;

FIG. 2 is a front view of the appliance thereof;

(56) **References Cited**

U.S. PATENT DOCUMENTS

D425,199 S *	5/2000	Muramatsu	D24/133
D438,341 S	2/2001	Schneider et al.		
D482,821 S	11/2003	Seifert		
D507,378 S *	7/2005	Cornelissen	D28/44.1
D516,748 S *	3/2006	Kling	D28/51
D519,243 S *	4/2006	Kling	D28/51
D522,176 S *	5/2006	Ullmann et al.	D28/51
D523,585 S *	6/2006	Winkler	D28/51

FIG. 3 is a right side view of the appliance thereof

FIG. 4 is a rear view of the appliance thereof;

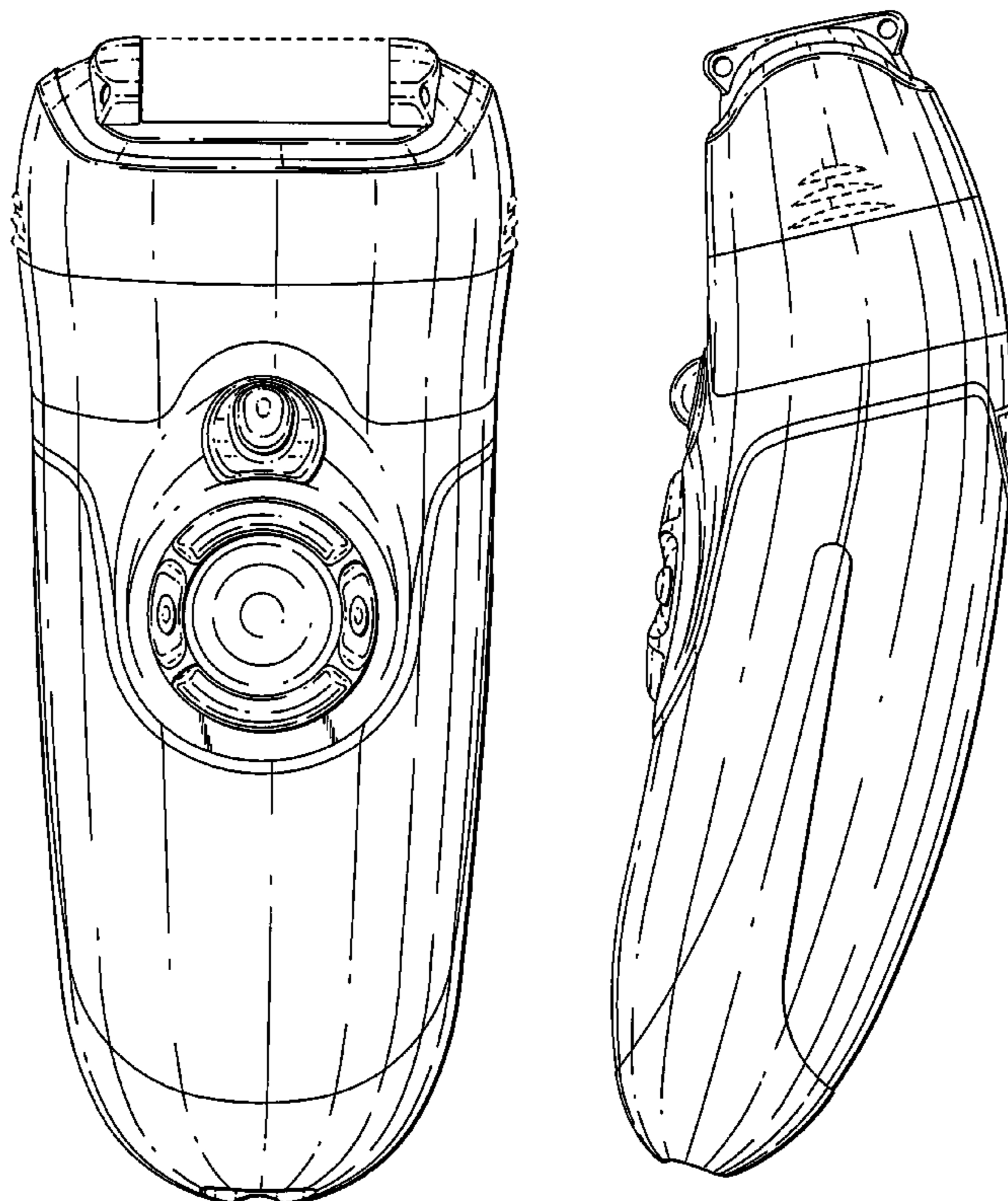
FIG. 5 is a left side view of the appliance thereof;

FIG. 6 is a top plan view of the appliance thereof; and,

FIG. 7 is a bottom plan view of the appliance thereof.

The broken lines are shown for illustrative purposes only and form no part of the claimed design.

1 Claim, 6 Drawing Sheets



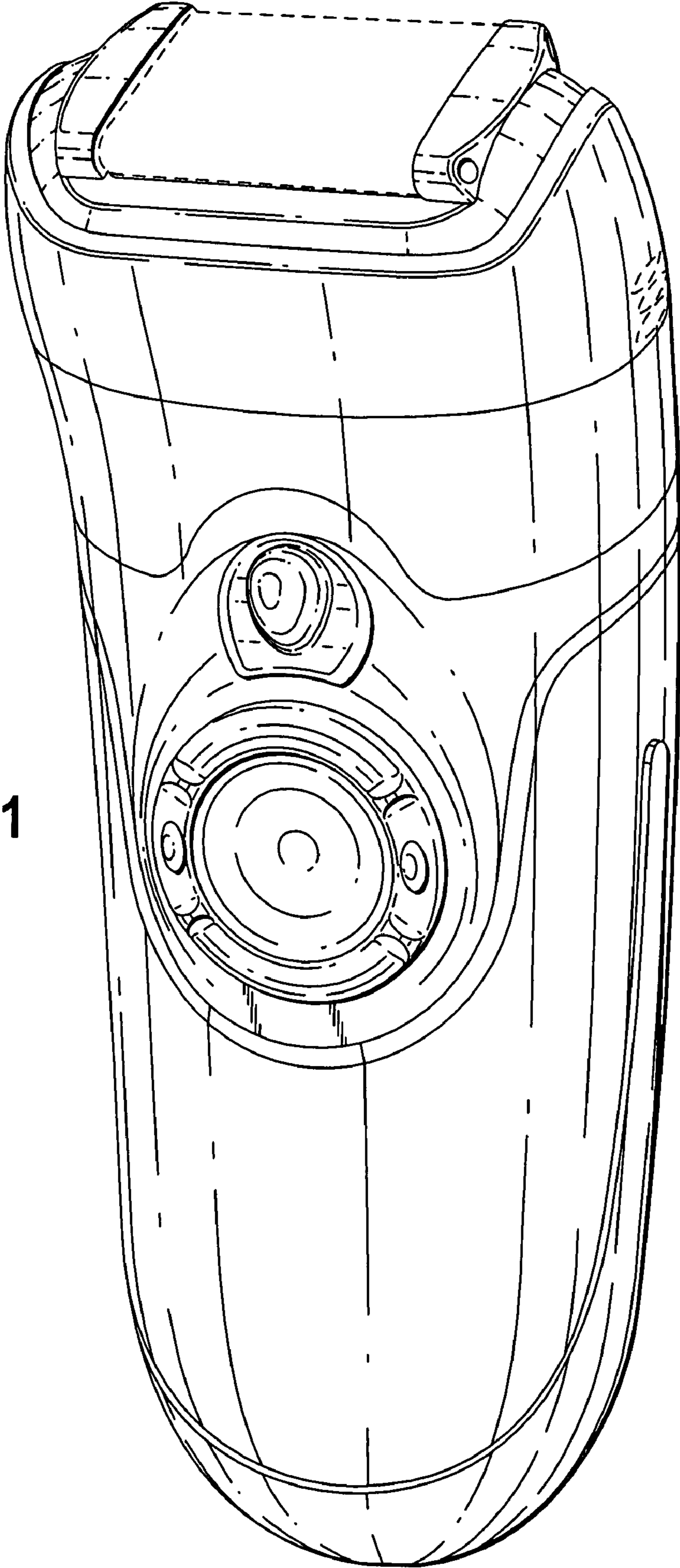


Fig. 1

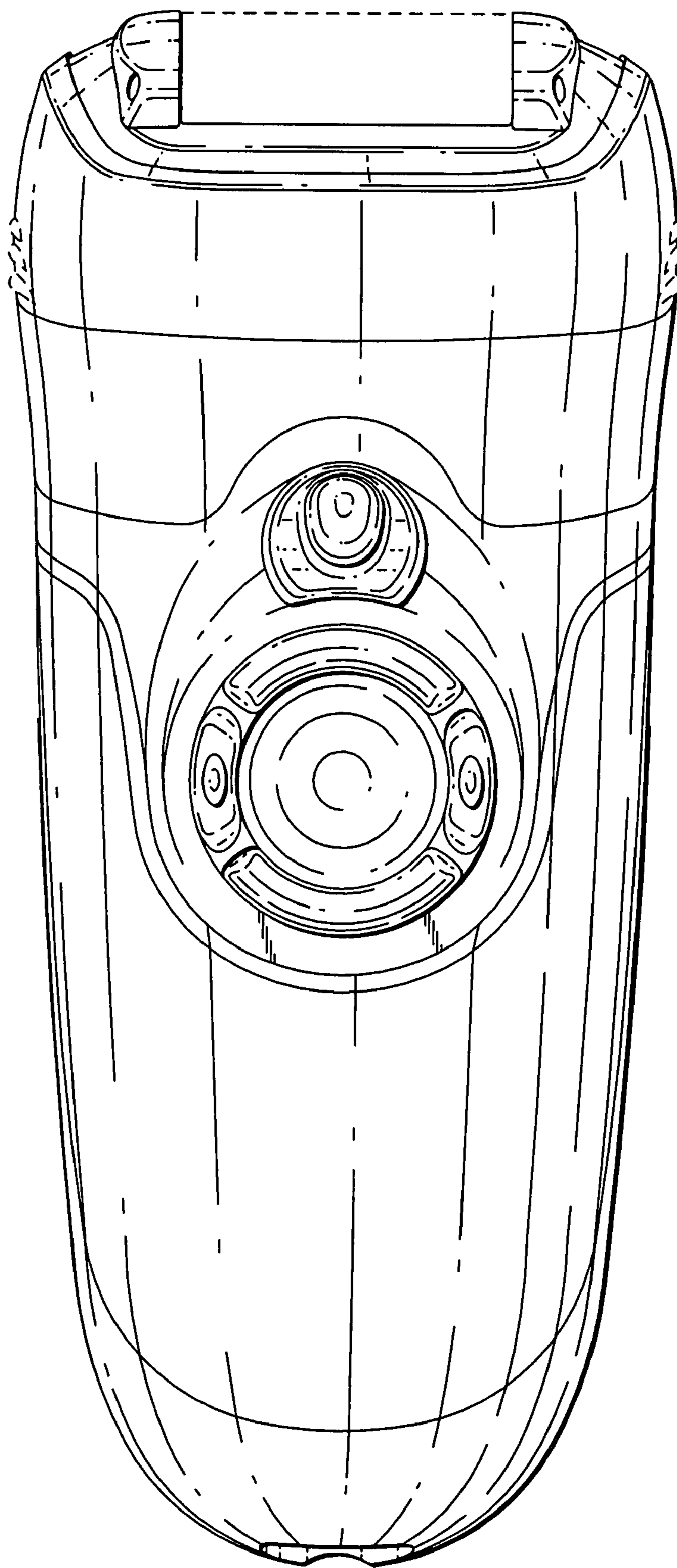


Fig. 2

Fig. 3

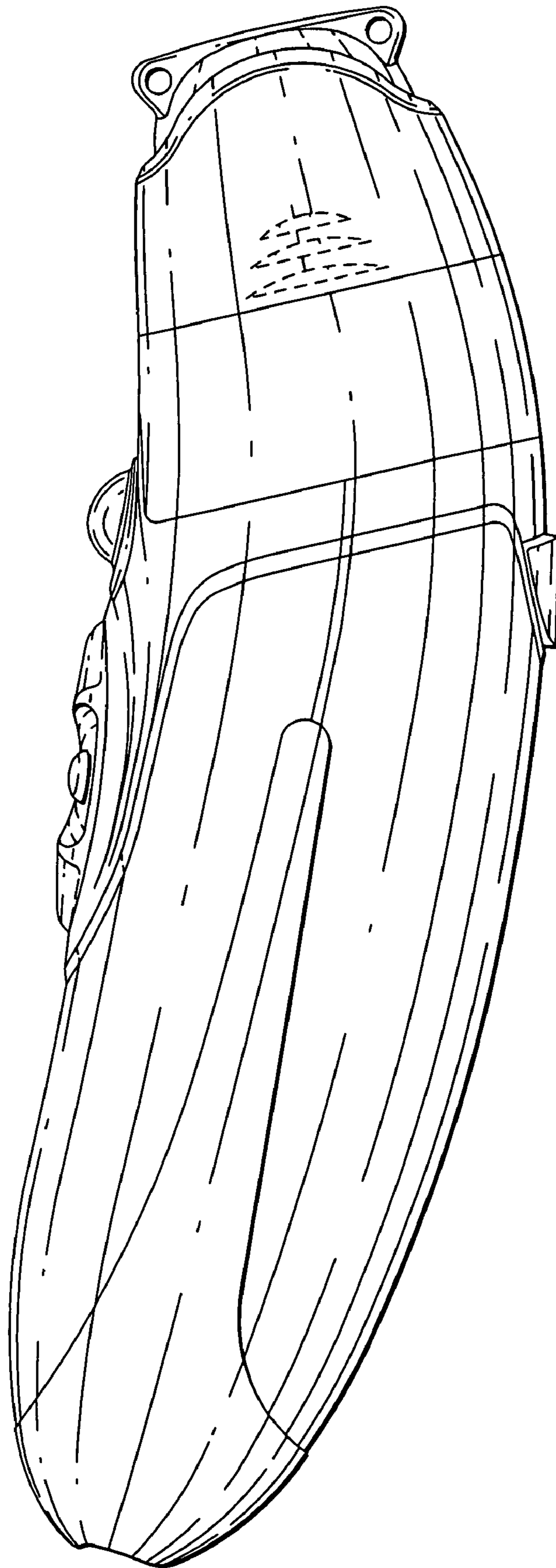
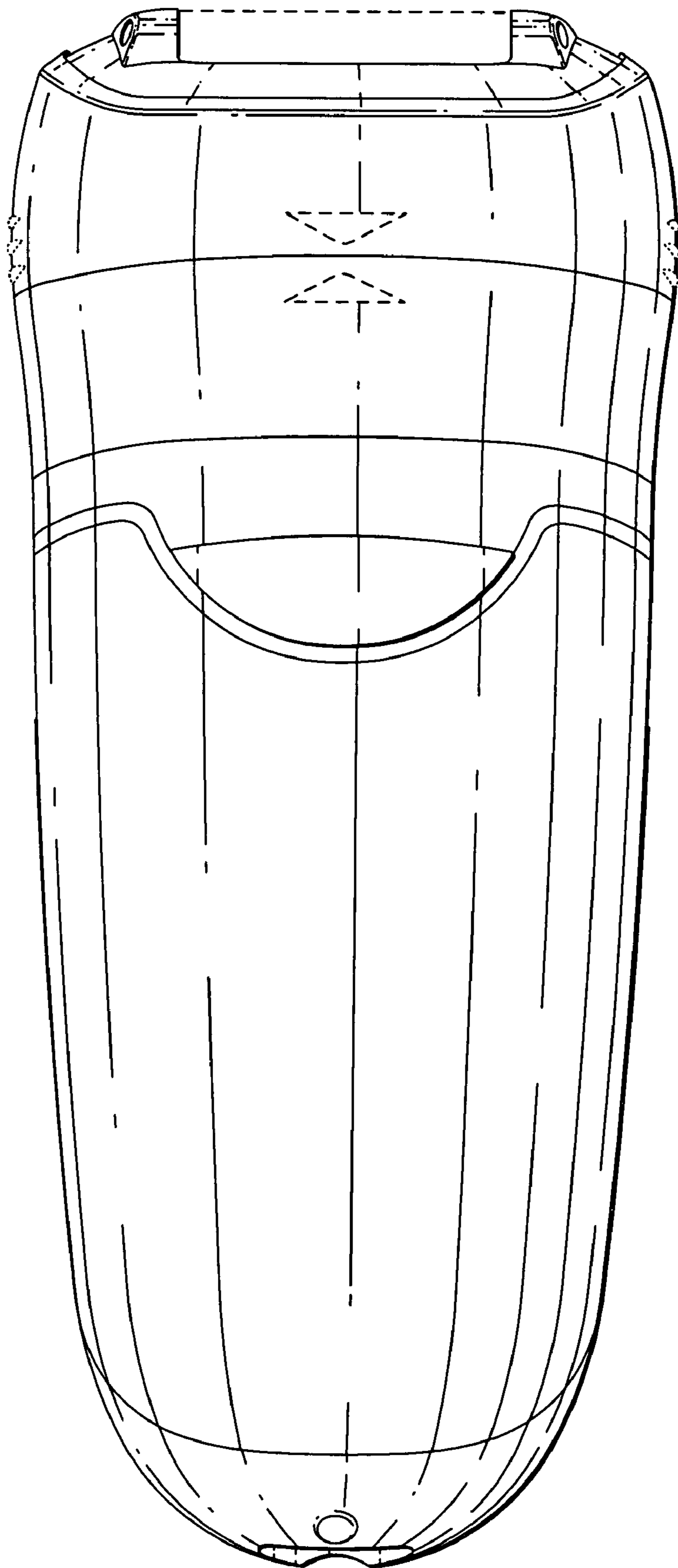


Fig. 4



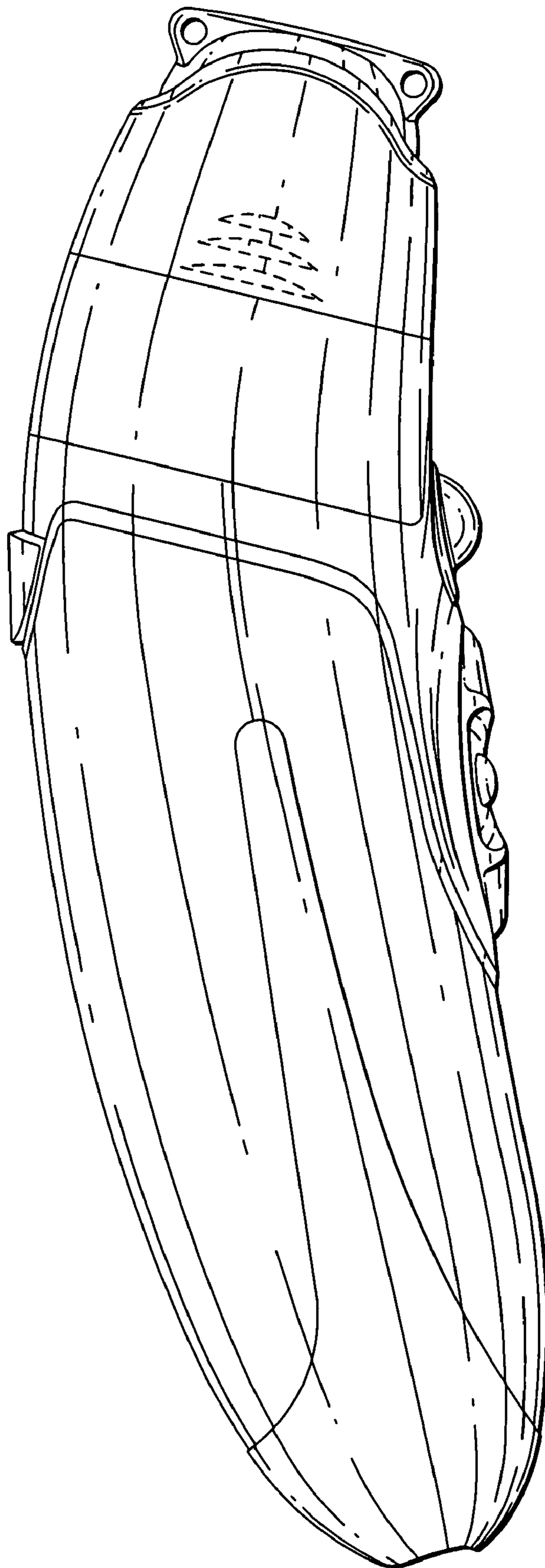


Fig. 5

Fig. 6

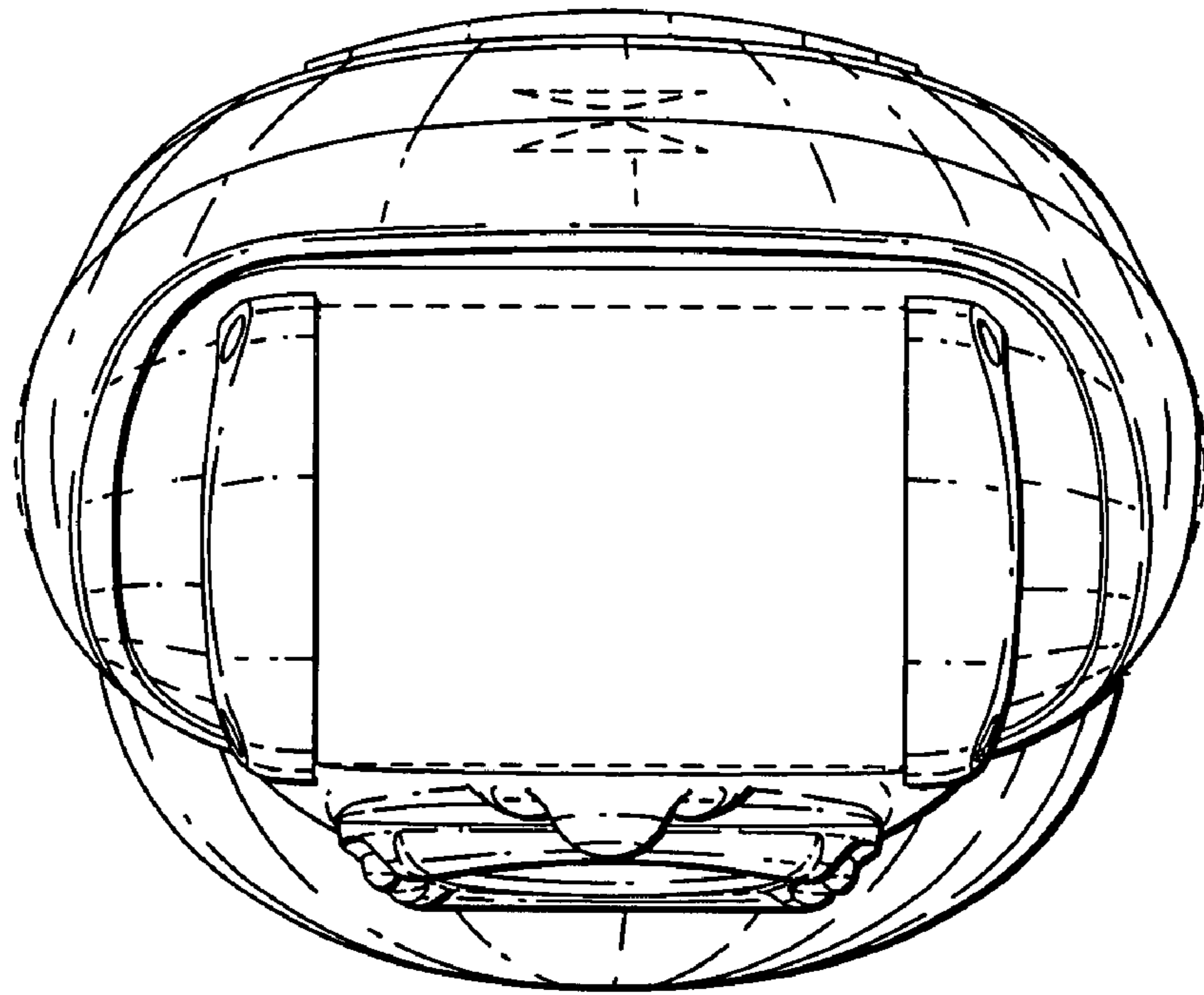


Fig. 7

