

US00D567438S

(12) **United States Design Patent**  
**Srivastava**

(10) **Patent No.:** **US D567,438 S**  
(45) **Date of Patent:** **\*\* Apr. 22, 2008**

(54) **HAIR STYLING APPARATUS**

(75) Inventor: **Priti Srivastava**, White Plains, NY  
(US)

(73) Assignee: **Each2Each, Inc.**, White Plains, NY  
(US)

(\*\*) Term: **14 Years**

(21) Appl. No.: **29/280,554**

(22) Filed: **May 31, 2007**

**Related U.S. Application Data**

(60) Division of application No. 29/253,723, filed on Feb. 10, 2006, which is a continuation of application No. 11/350,233, filed on Feb. 7, 2006.

(51) **LOC (8) Cl.** ..... **28-03**

(52) **U.S. Cl.** ..... **D28/10**

(58) **Field of Classification Search** ..... D28/25,  
D28/32, 65, 68, 33-43; 132/101, 144, 128-131,  
132/273-284; D3/18, 28; 66/1 A, 116;  
223/102; 289/16; 446/382-384, 136  
See application file for complete search history.

(56) **References Cited**

**U.S. PATENT DOCUMENTS**

2,626,855	A *	1/1953	Hand	.....	436/20
D186,257	S *	9/1959	Solomon	.....	D28/39
D207,245	S *	3/1967	Homer	.....	D7/683
D294,072	S *	2/1988	Stern et al.	.....	D28/65
5,036,870	A *	8/1991	Edmark	.....	132/273
5,289,834	A *	3/1994	Lawrence	.....	132/212
D364,941	S *	12/1995	Saulsbury	.....	D28/65
D367,545	S *	2/1996	Burke	.....	D28/65

D367,590	S *	3/1996	Brookhouse	.....	D7/683
D370,743	S *	6/1996	Huie	.....	D28/65
D378,446	S *	3/1997	Lutzker	.....	D28/65
D392,420	S *	3/1998	Ram	.....	D28/65
5,806,538	A *	9/1998	Keltner	.....	132/210
D417,749	S *	12/1999	Kellmann	.....	D28/10
D437,459	S *	2/2001	Inaba	.....	D28/65
D486,415	S *	2/2004	Curtis	.....	D11/2
6,782,896	B1 *	8/2004	Grimes	.....	132/212
6,848,453	B2 *	2/2005	Hampton	.....	132/321
D507,380	S *	7/2005	Le	.....	D28/65

\* cited by examiner

*Primary Examiner*—Janice E. Seeger

*Assistant Examiner*—Zenia I. Bennett

(74) *Attorney, Agent, or Firm*—Lackenbach Siegel, LLP

(57) **CLAIM**

The ornamental design for a hair styling apparatus, as shown and described.

**DESCRIPTION**

FIG. 1 is a perspective view of the hair styling apparatus of the present invention.

FIG. 2 is a left side elevational view of the hair styling apparatus of FIG. 1.

FIG. 3 is a top plan view thereof.

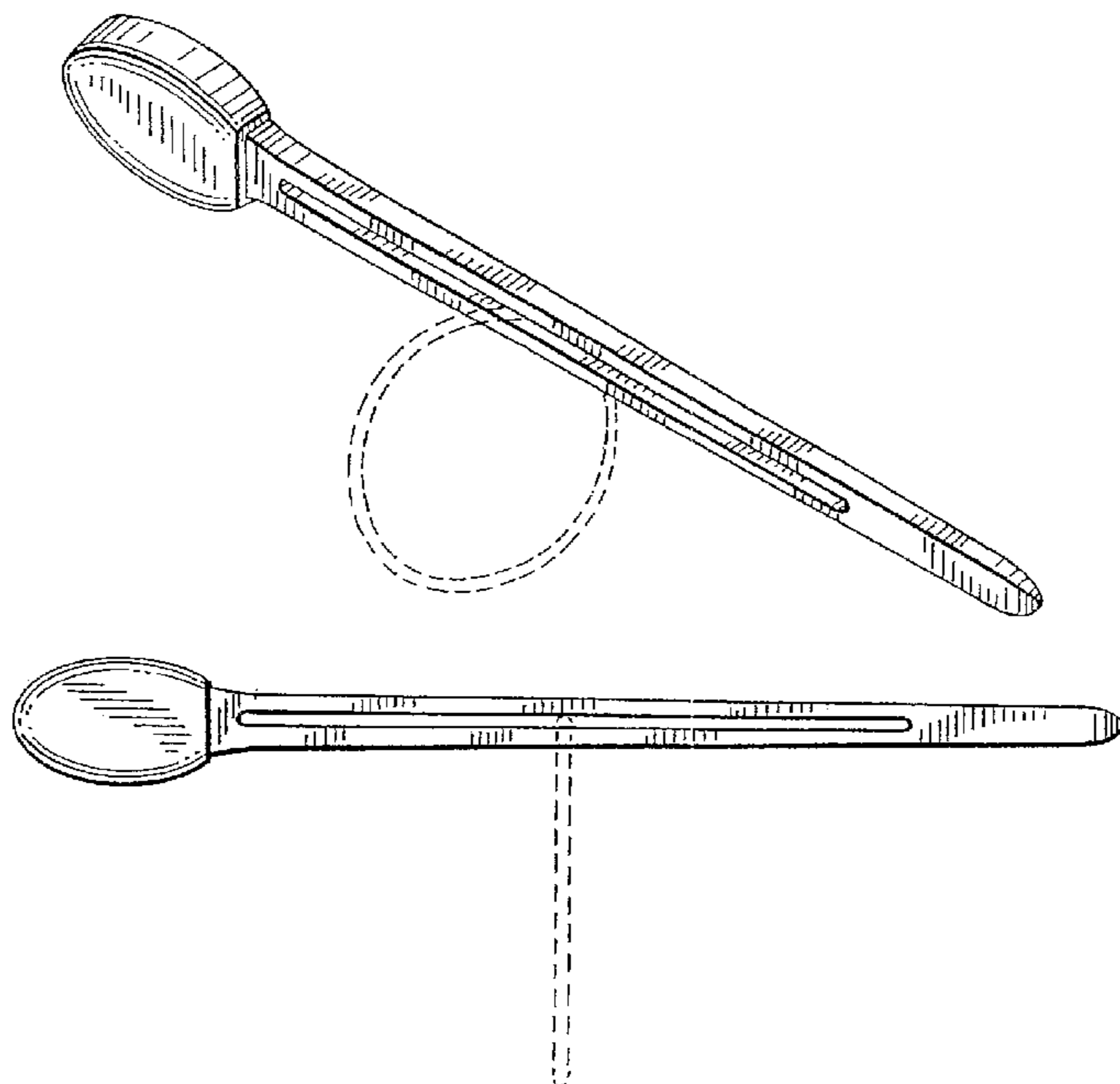
FIG. 4 is a front elevational view thereof.

FIG. 5 is a rear elevational view thereof; and,

FIG. 6 is a right side elevational view thereof.

The broken lines in the drawing are for illustrative purposes only and form no part of the claimed design.

**1 Claim, 2 Drawing Sheets**



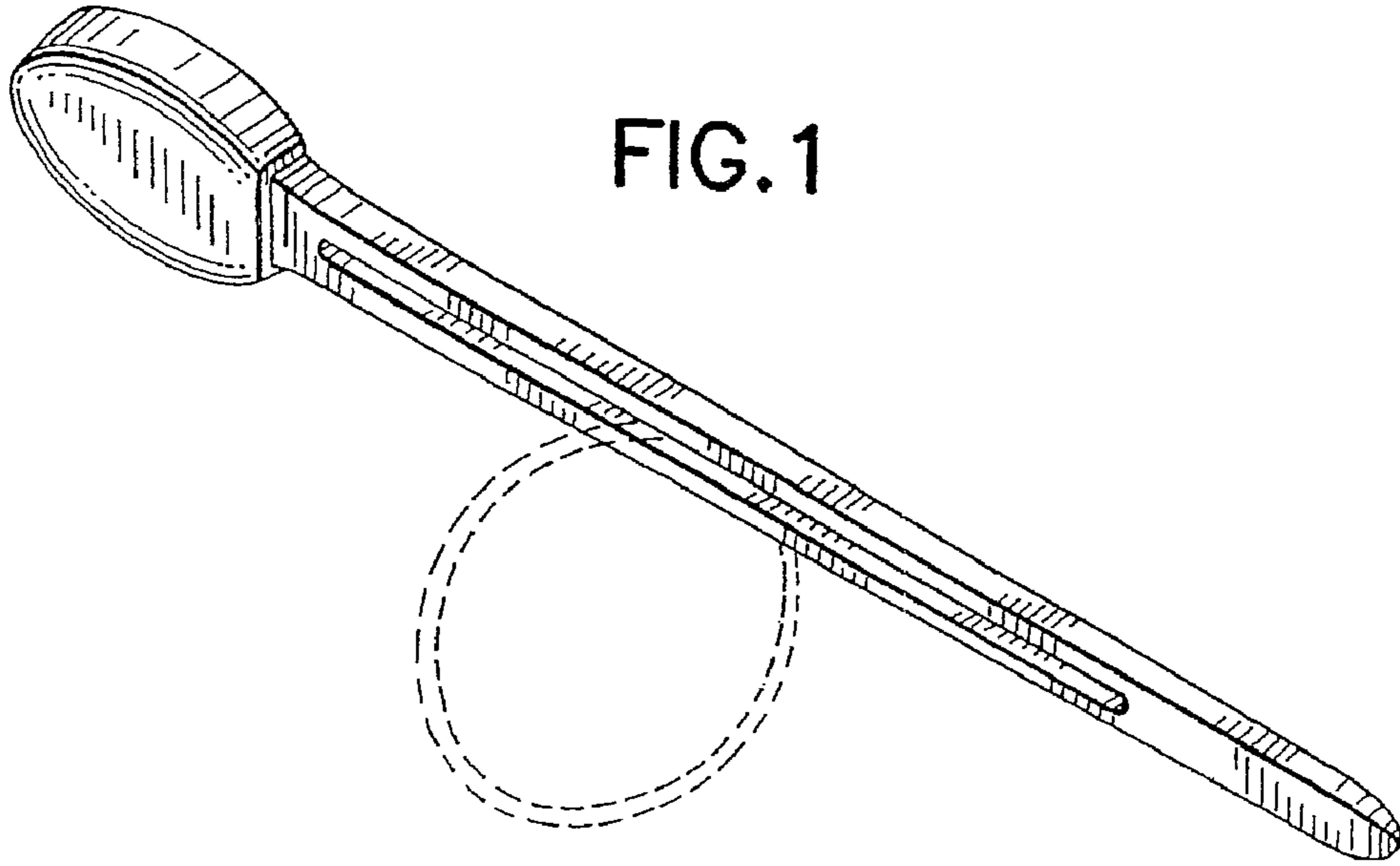


FIG. 2

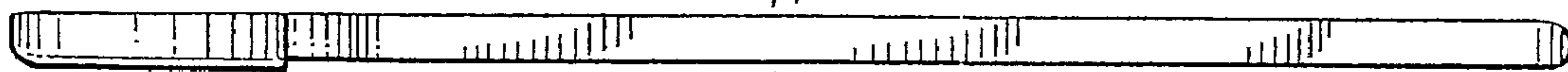


FIG. 3

FIG.4

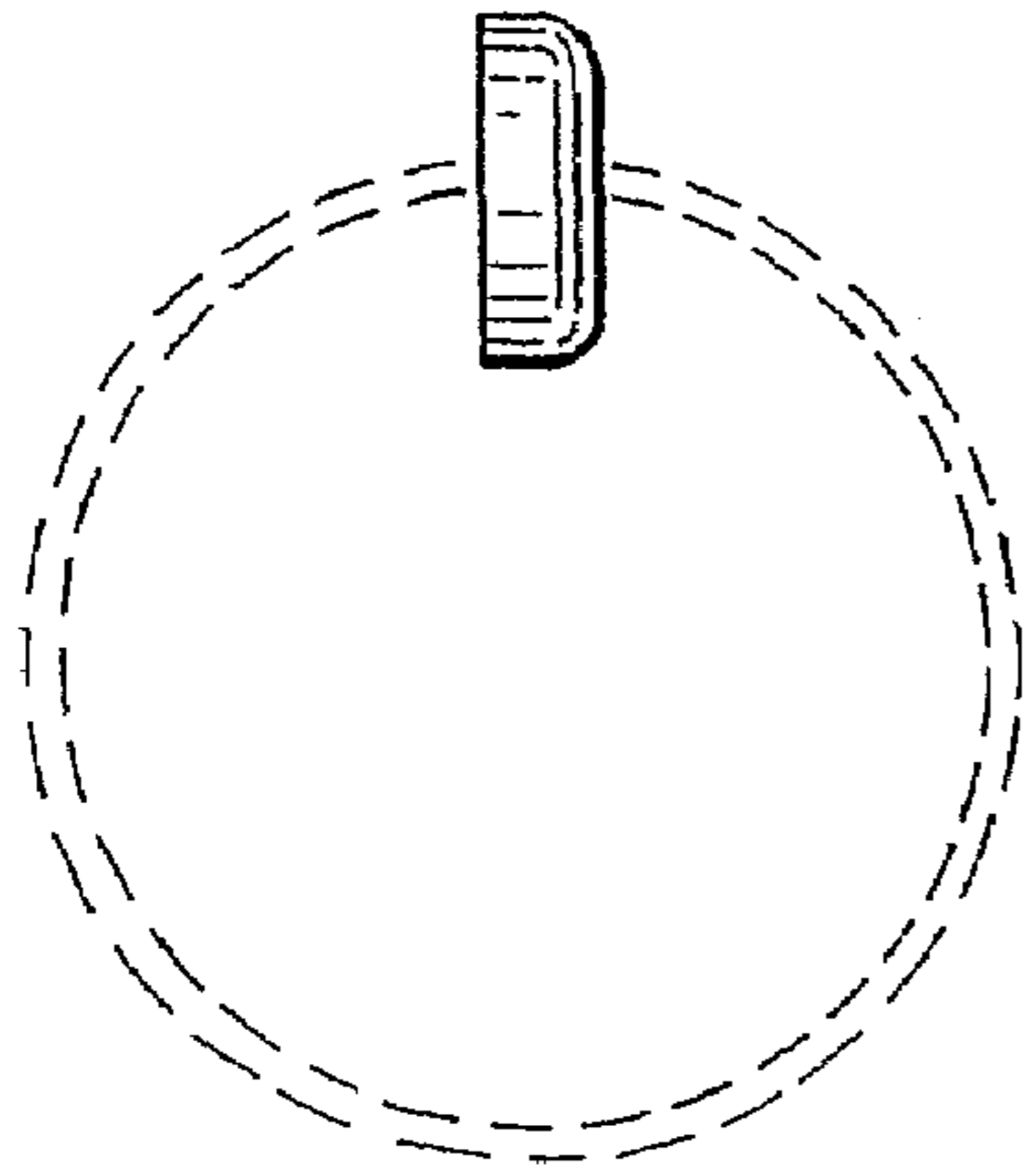


FIG.5

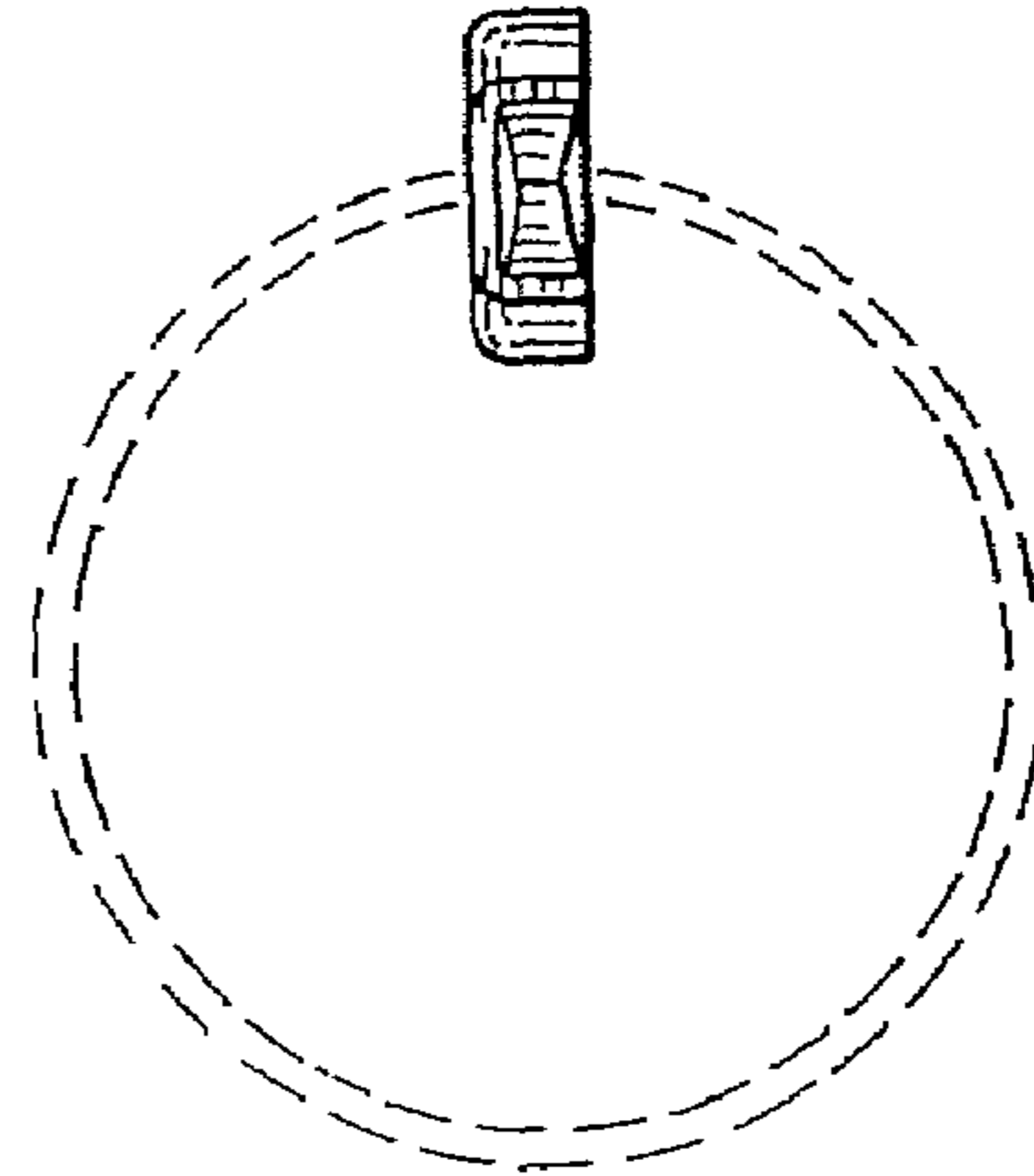


FIG.6

